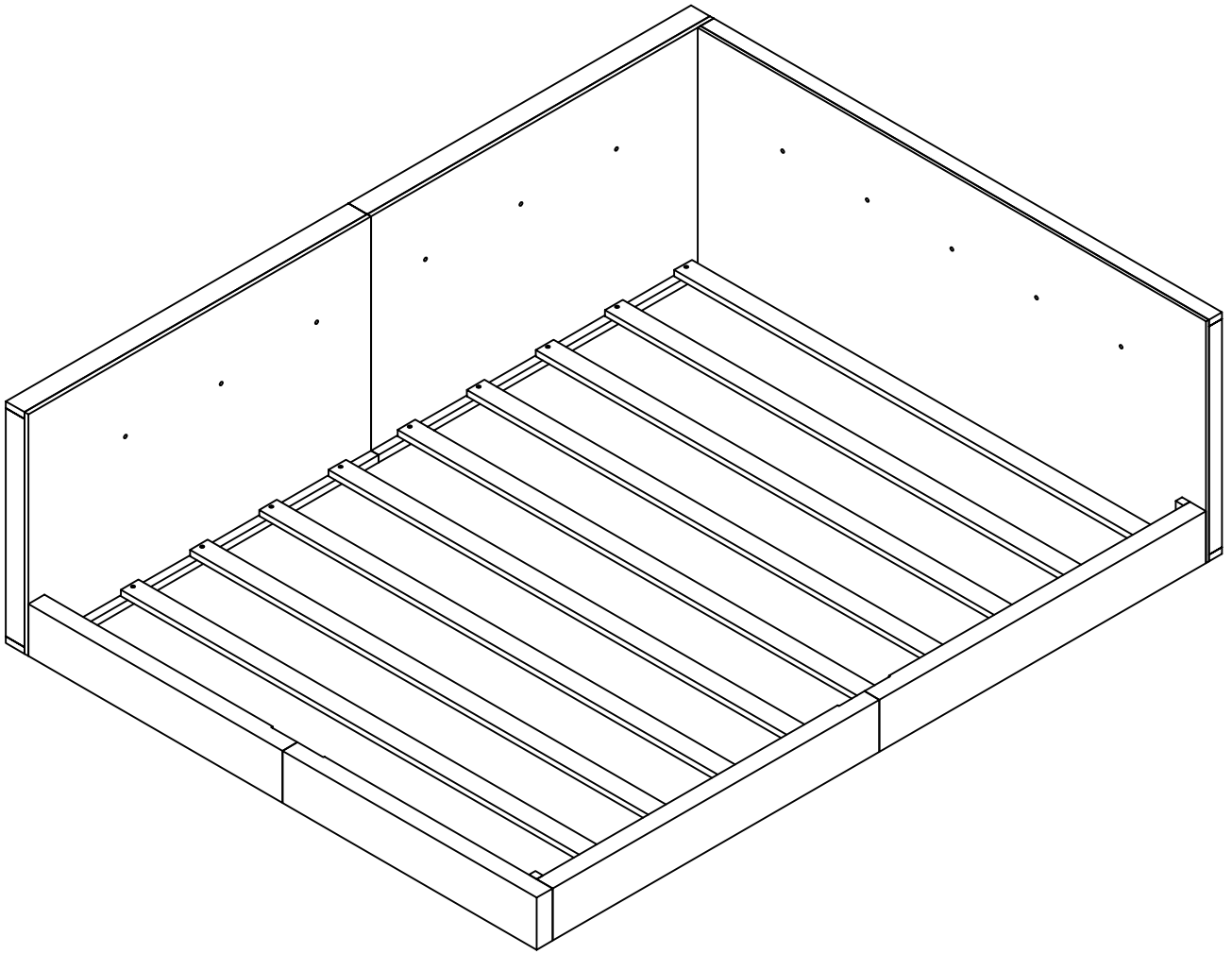
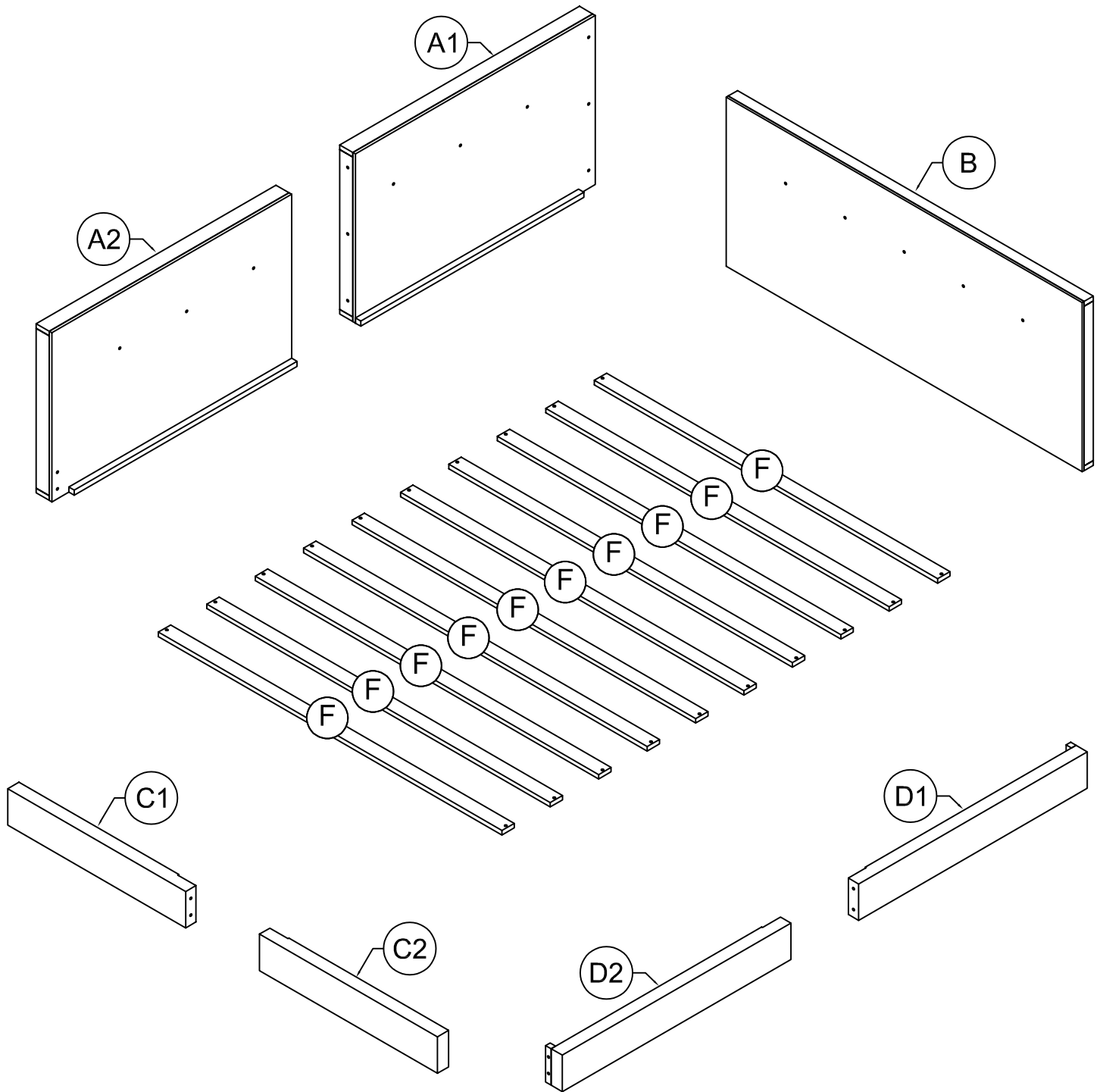


ASSEMBLY INSTRUCTION

SKU CODE: (WF311176/WF311177)

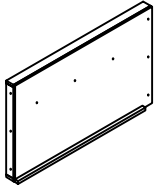


ASSEMBLY INSTRUCTION



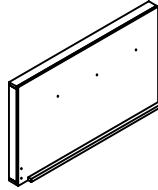
Part List (WF311176)

A1



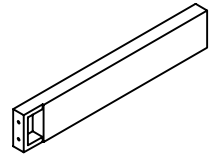
Leg - 1pc

A2



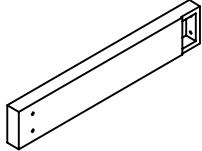
HB Frames - 1pc

C1



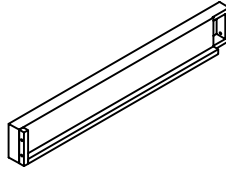
FB Frames - 1pcs

C2



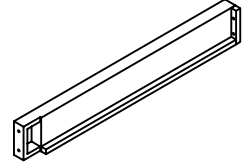
Leg - 1pc

D1



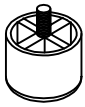

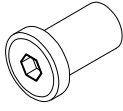
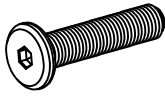
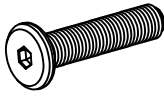

HB Frames - 1pc

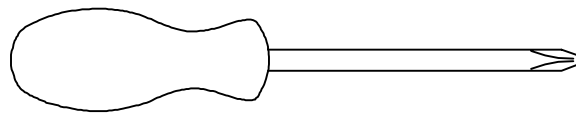
D2



FB Frames - 1pcs

Hardware List (WF311176)

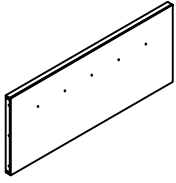
<p>1</p>  <p>Plastic Feet(Ø50x40) 12pcs</p>	<p>2</p>  <p>Allen Key 2pcs</p>	<p>3</p>  <p>1/4" x 25mm Sleeve Nut 10pcs</p>
<p>4</p>  <p>1/4" x 50mm Hex-Head bolts 6pcs</p>	<p>5</p>  <p>1/4" x 30mm Hex-Head bolts 10pcs</p>	<p>6</p>  <p>M4 x 30 mm Wood Screws 20pcs</p>



Assembly Tools Required (Not Included)

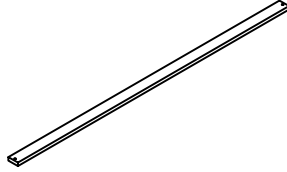
Part List (WF311177)

B



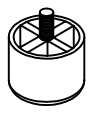
HB Frames - 1pc

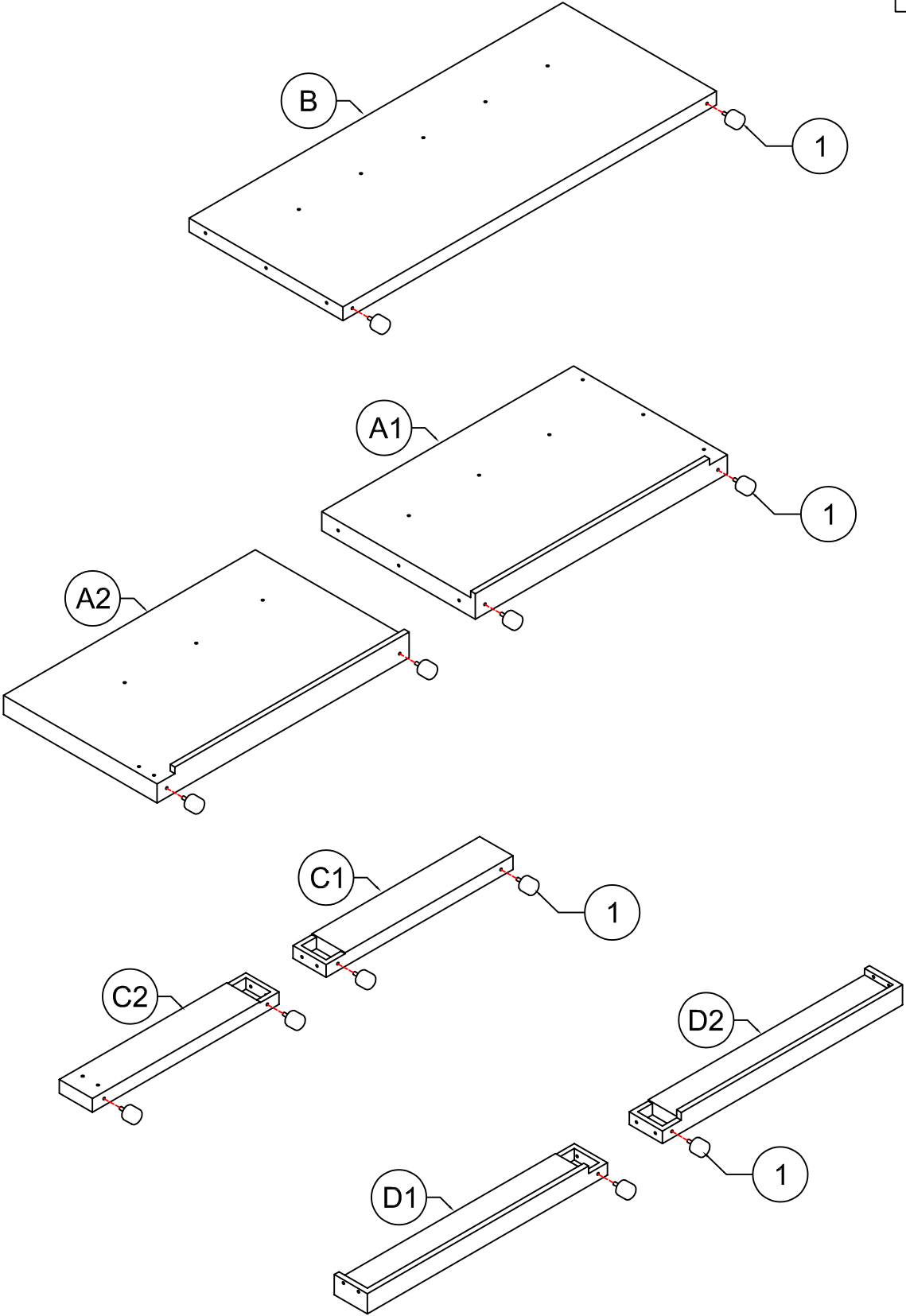
F



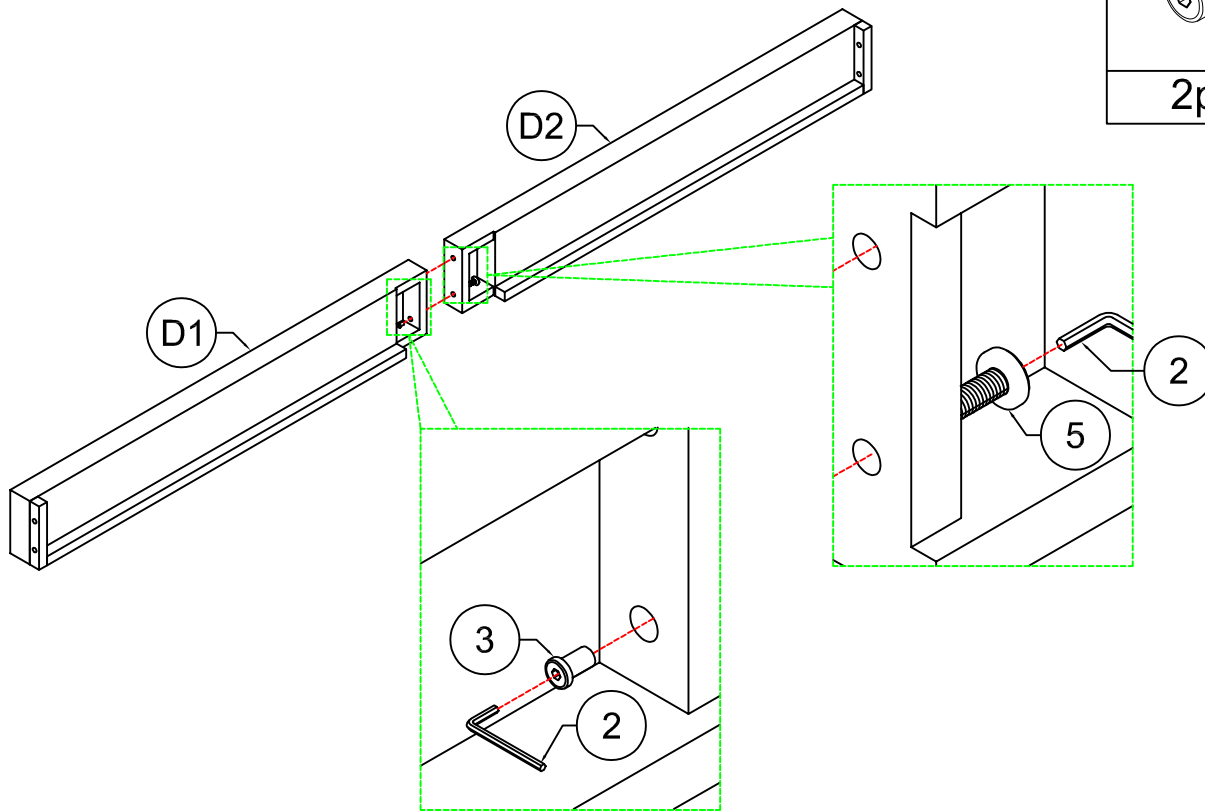
Slats - 10pcs

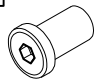
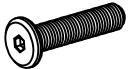
STEP 1: Following below illustration:

4	
12pcs	

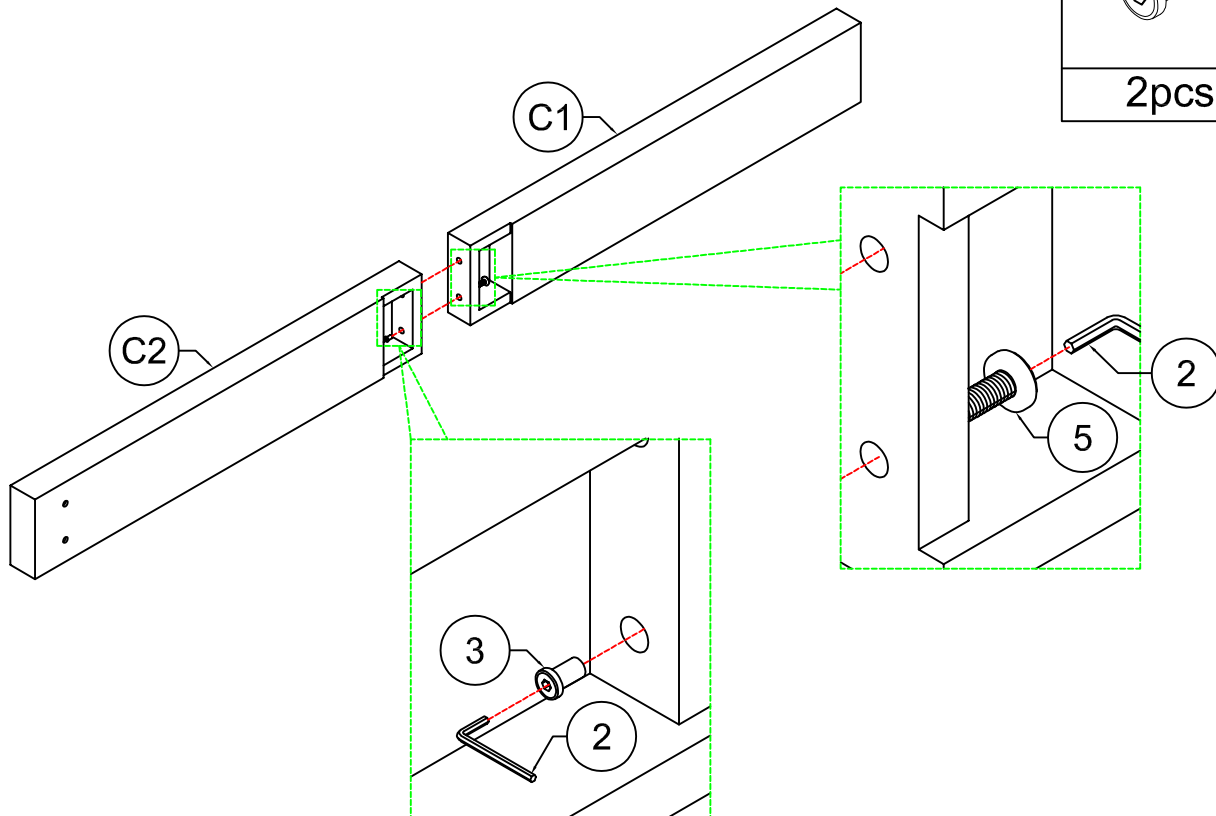


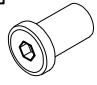

STEP 2-1: Following below illustration:





3	5
	
2pcs	2pcs

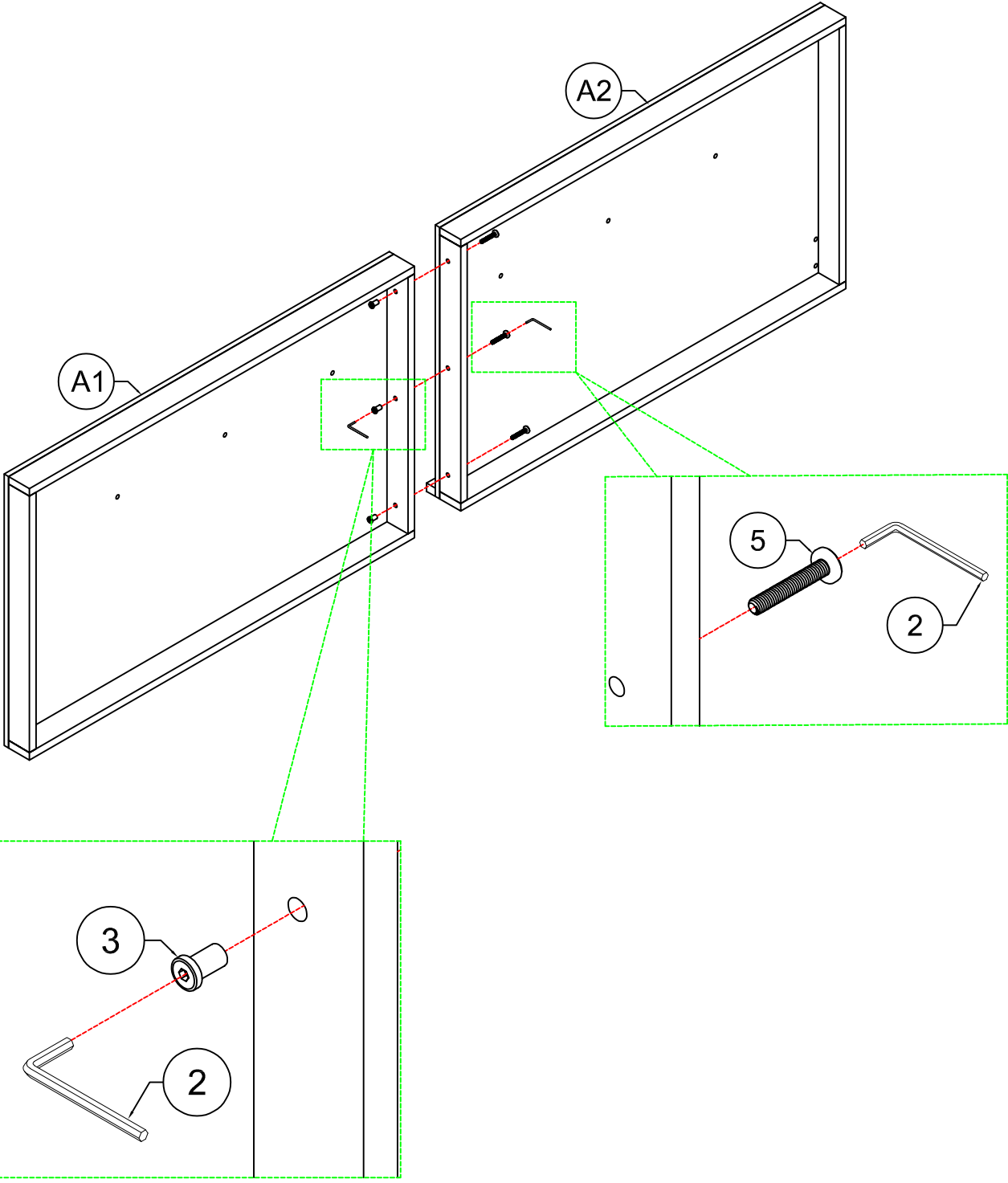
STEP 2-2: Following below illustration:



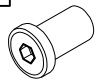


3	5
	
2pcs	2pcs

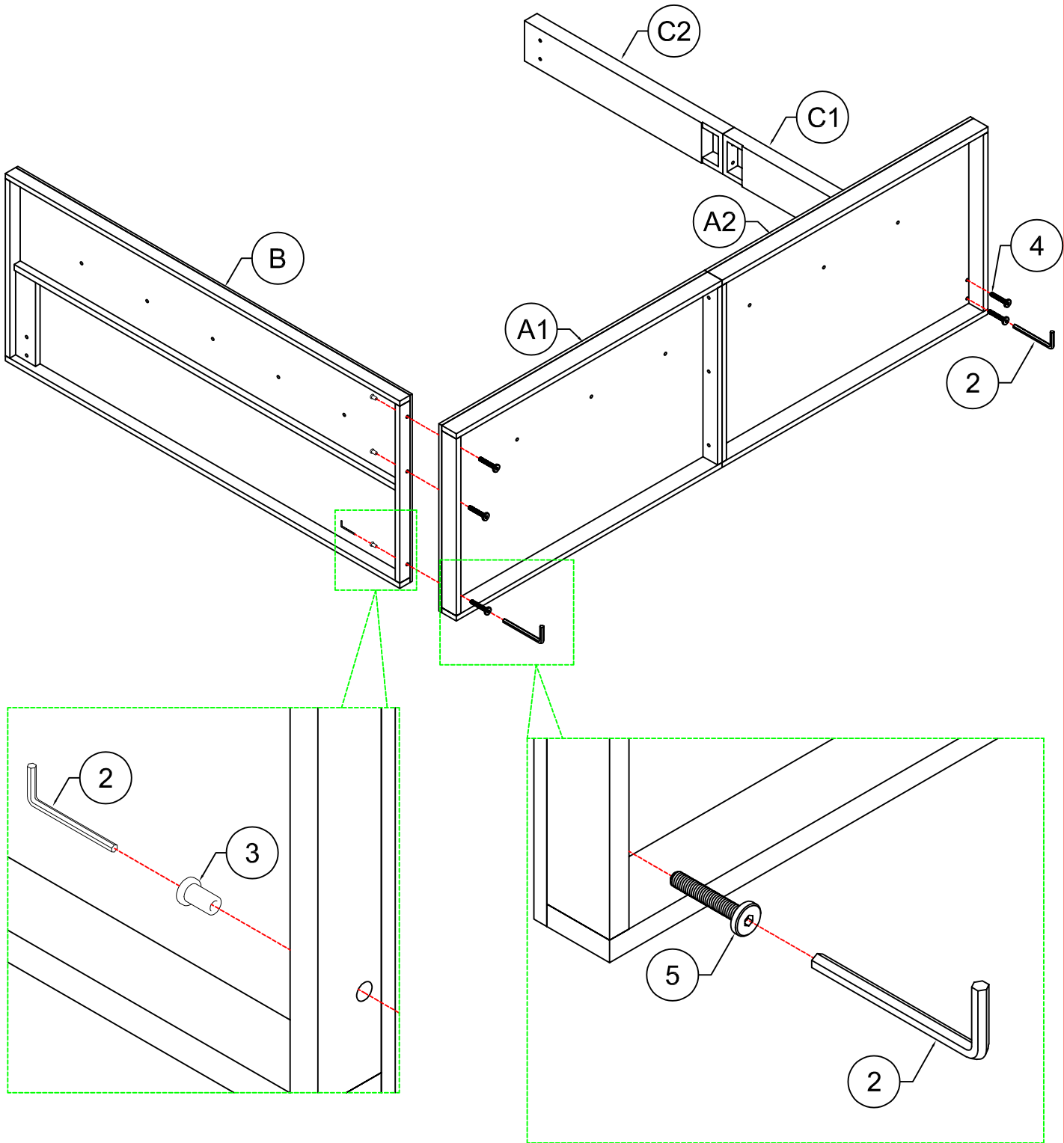
STEP 2-3: Following below illustration:

3	5
	
3pcs	3pcs



STEP 3: Following below illustration:

3	4	5
		
3pcs	3pcs	2pcs

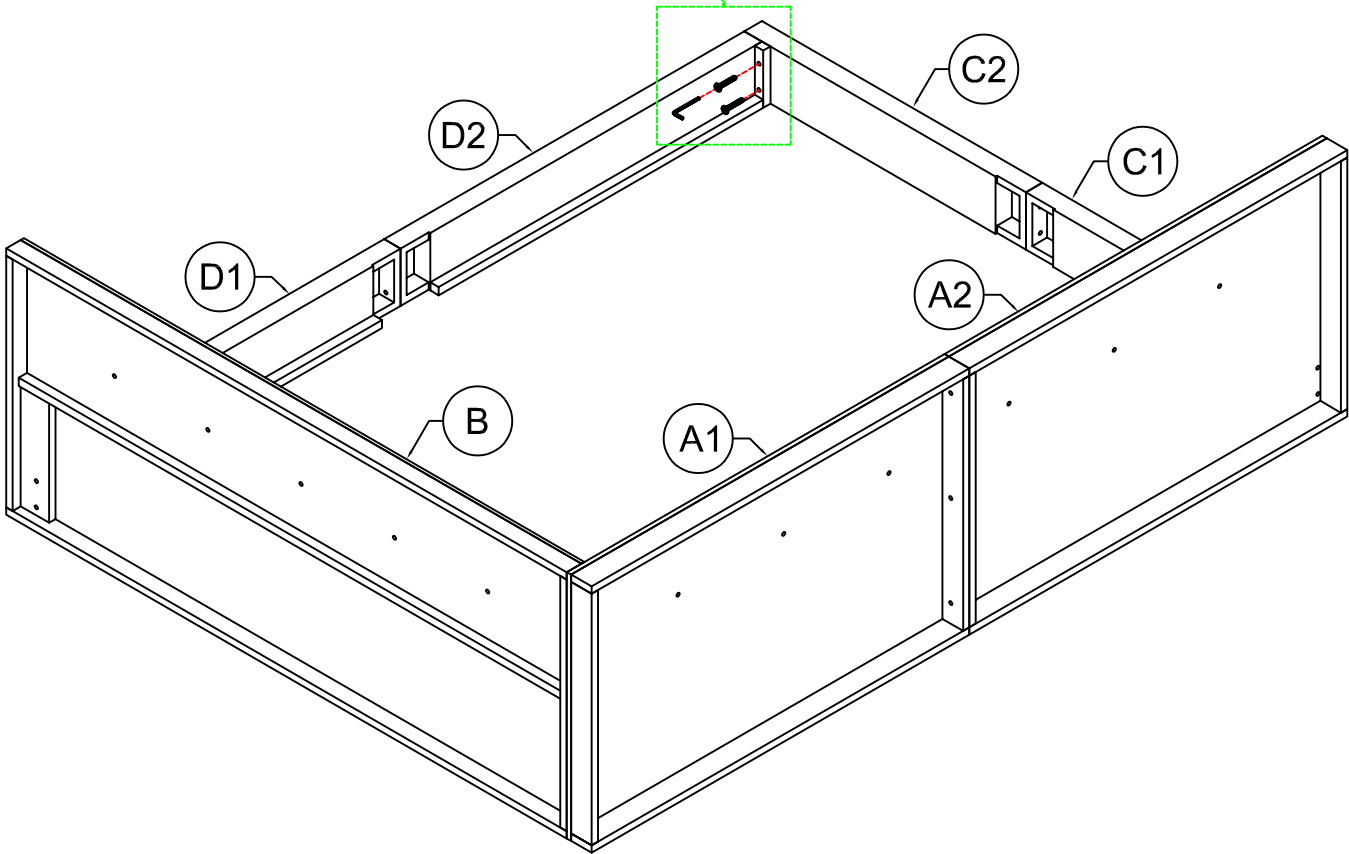
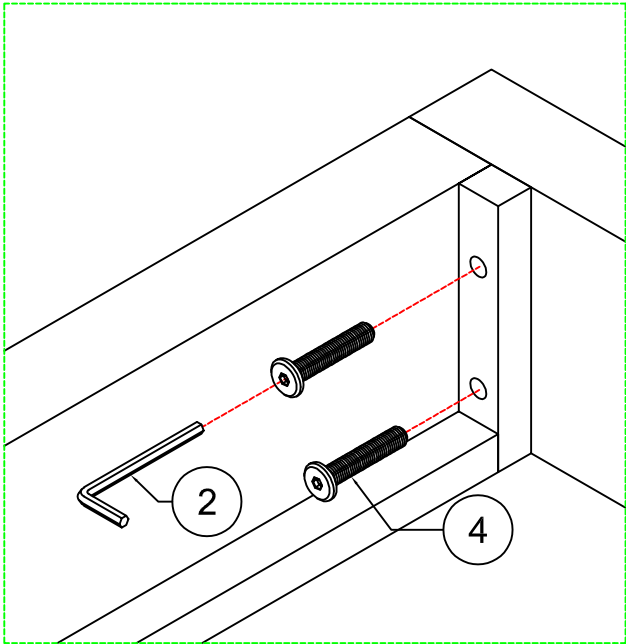


STEP 4: Following below illustration:

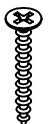
4

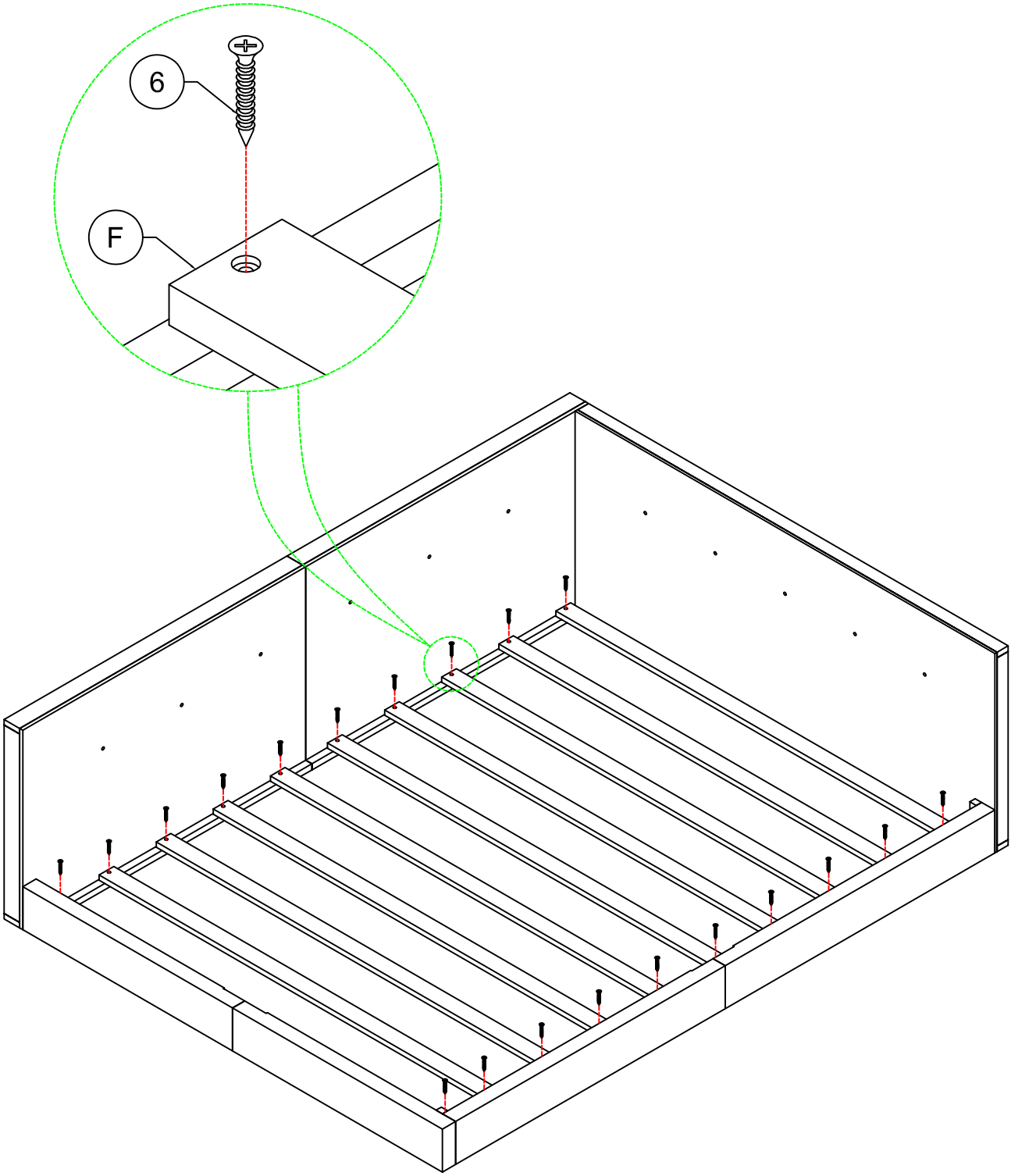


4pcs



STEP 5: Following below illustration:

6	
20pcs	



FINISH

