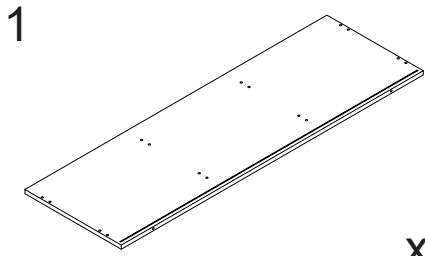
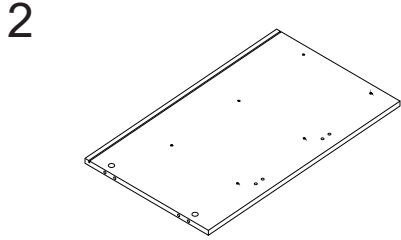


Installation instruction

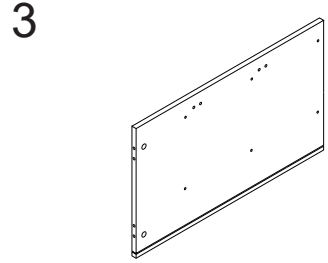
CARTON: A



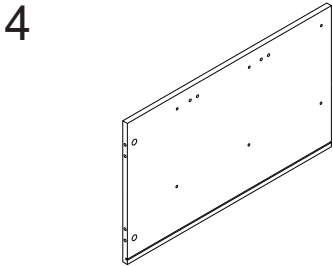
x1



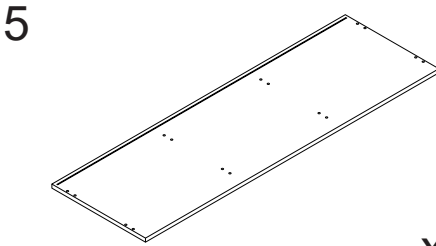
x1



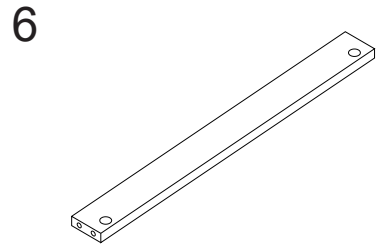
x1



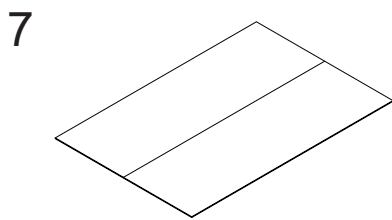
x1



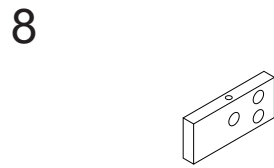
x1



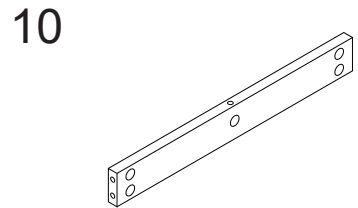
x6



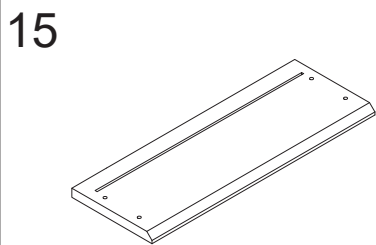
x3



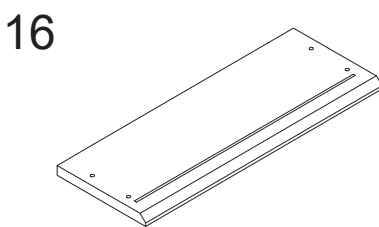
x2



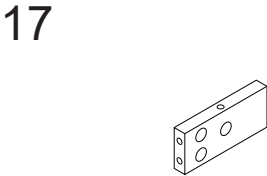
x4



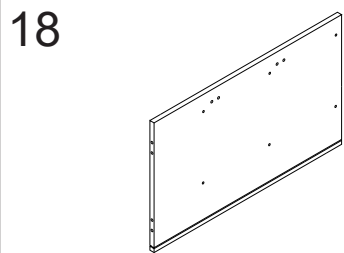
x6



x3

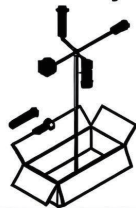


x2



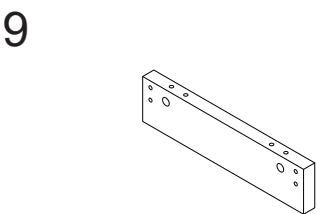
x1

AccessoryCase

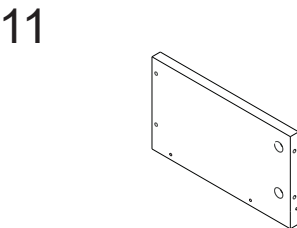


x1

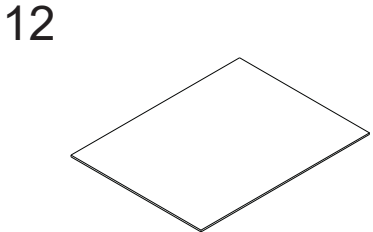
CARTON: B



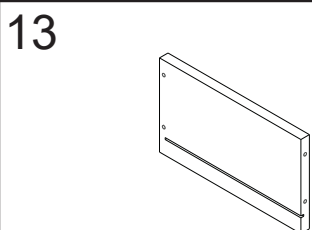
x3



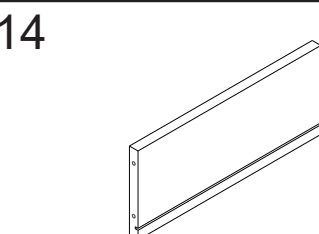
x9



x9

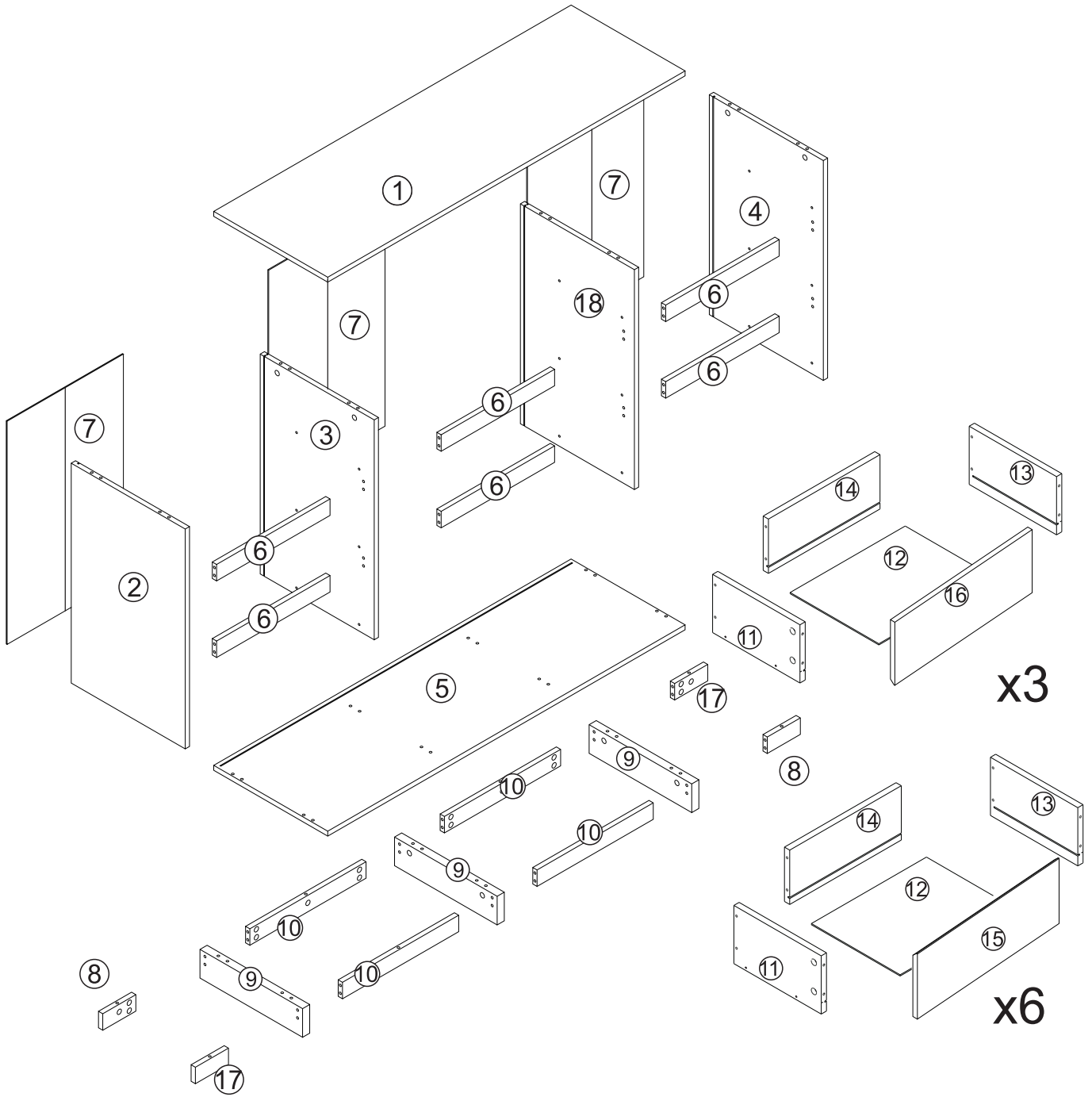














x9







x9

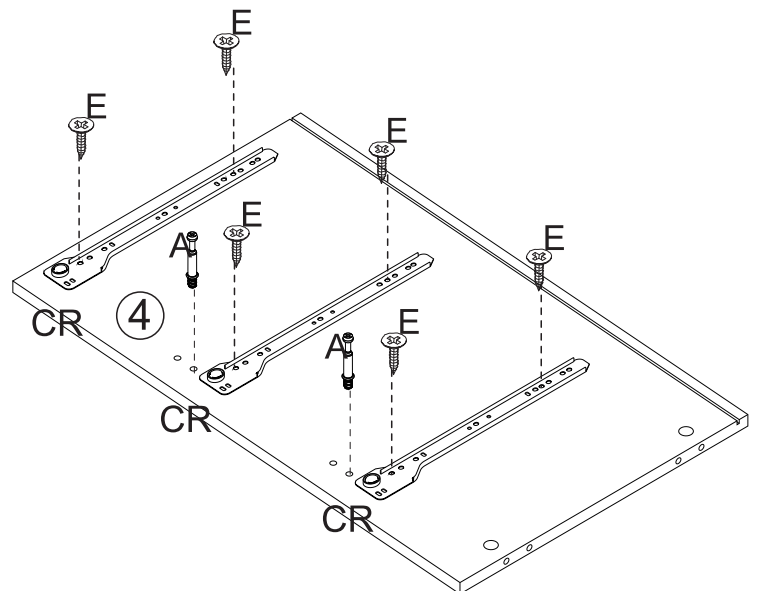
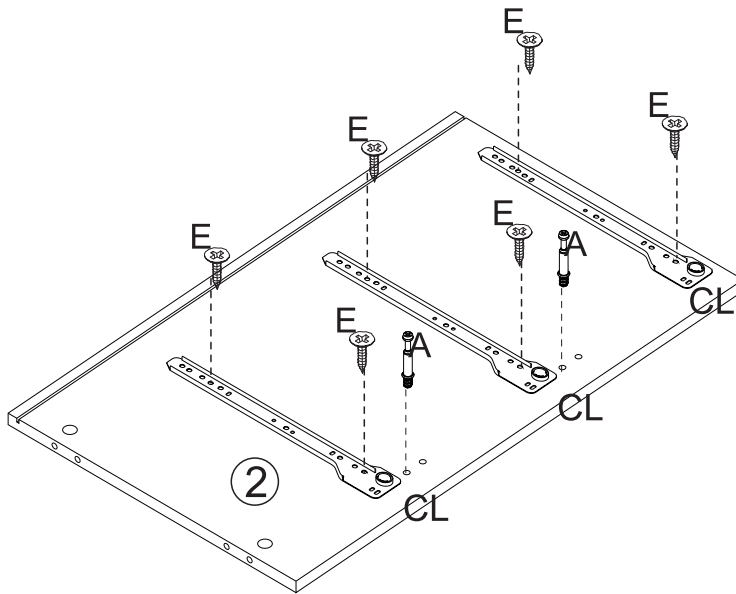
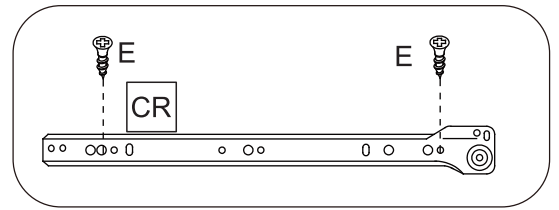
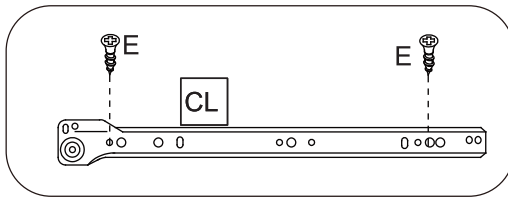
Assembly Instructions







A	X 94	B	X 94	C	X 34	D	X 8	E	X 72	F	X 12	G	X 36
													
M6*35		φ15*10		φ6*30		Mx4*40		M3*12		M3*16		M4*30	
CL	X 9	CR	X 9	DL	X 9	DR	X 9	J	X 2				
													

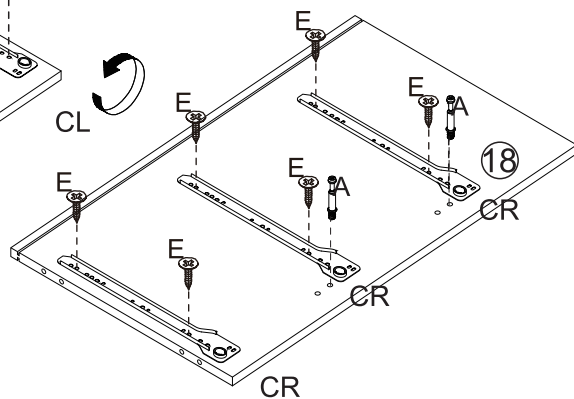
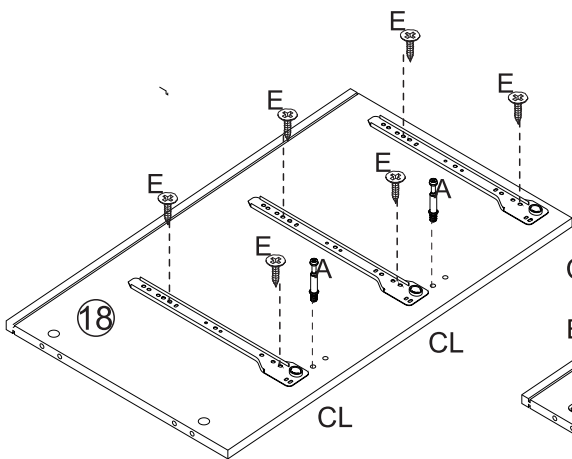
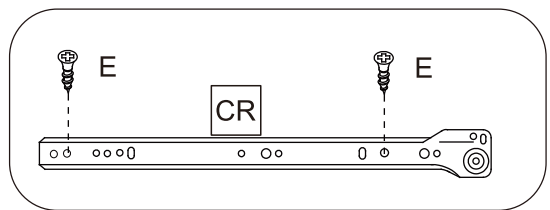
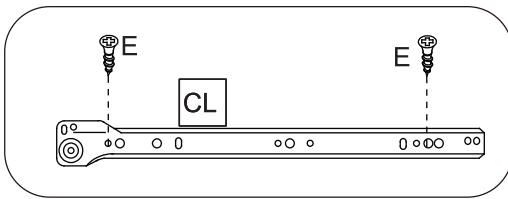
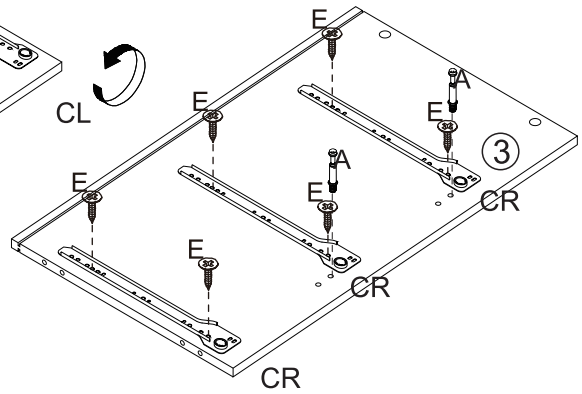
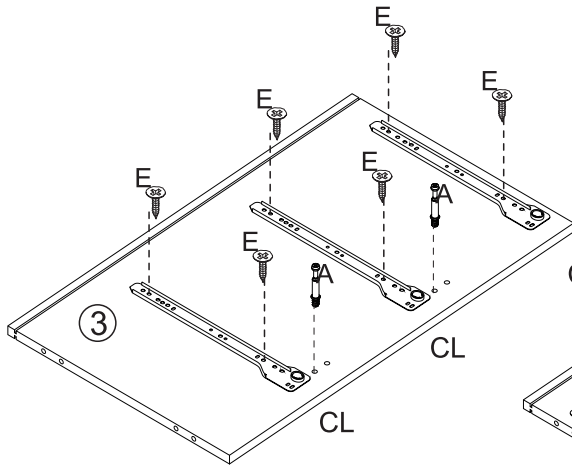
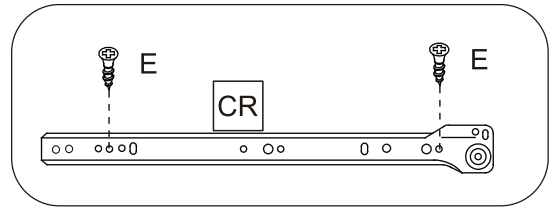
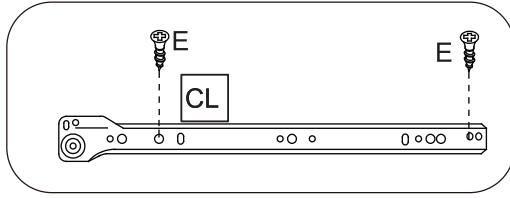
STEP 1

A	X 4
	
M6*35	
E	X 12
	
M3*12	
CL	X 3
	
CR	X 3
	





STEP 2

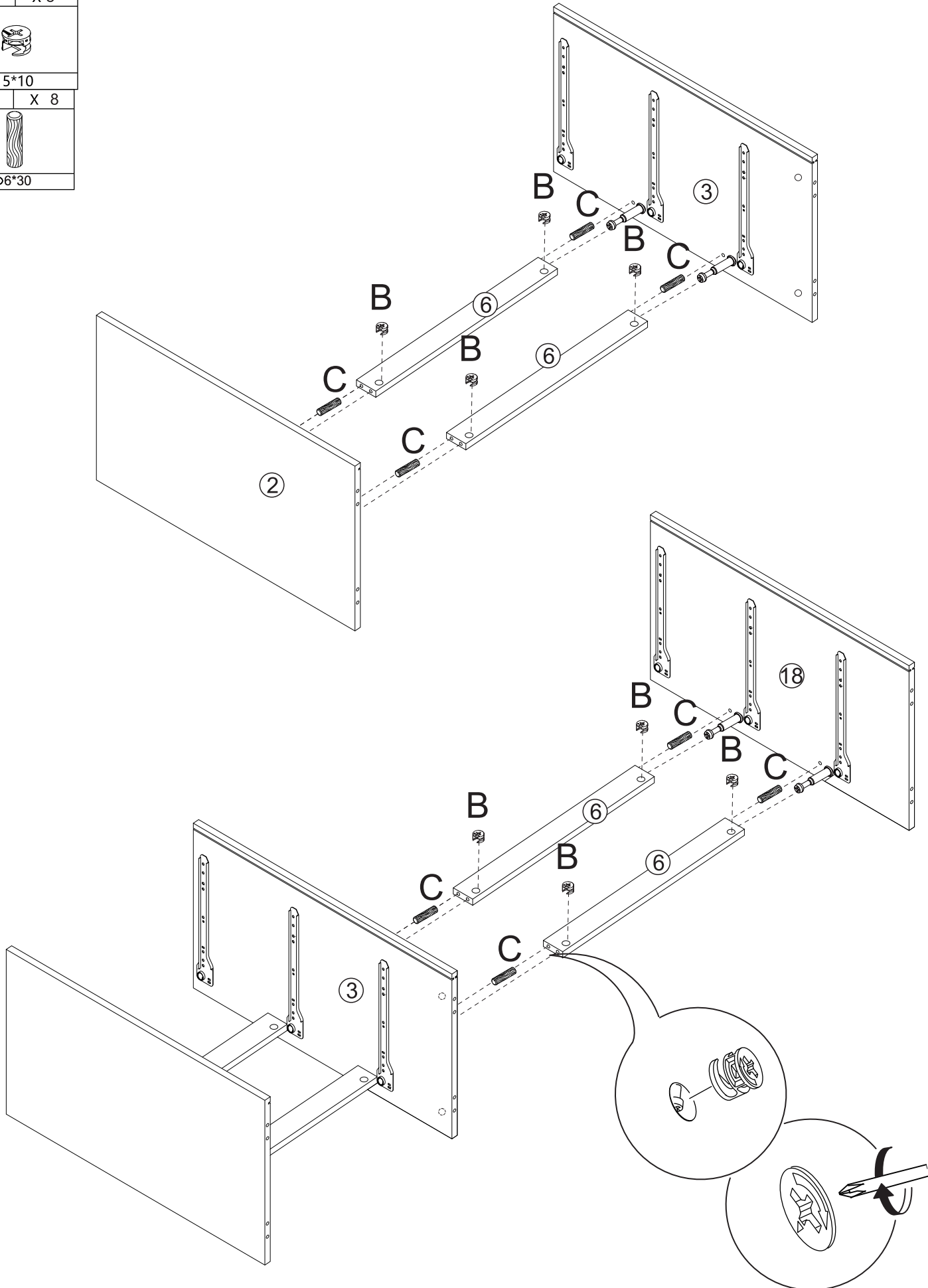
A	X 8
	
M6*35	
E	X 24
	
M3*12	
CL	X 6
	
CR	X 6
	





The product only includes one piece each of the 3 and 18 boards. The arrows indicate a 180° flip, with no other meanings.

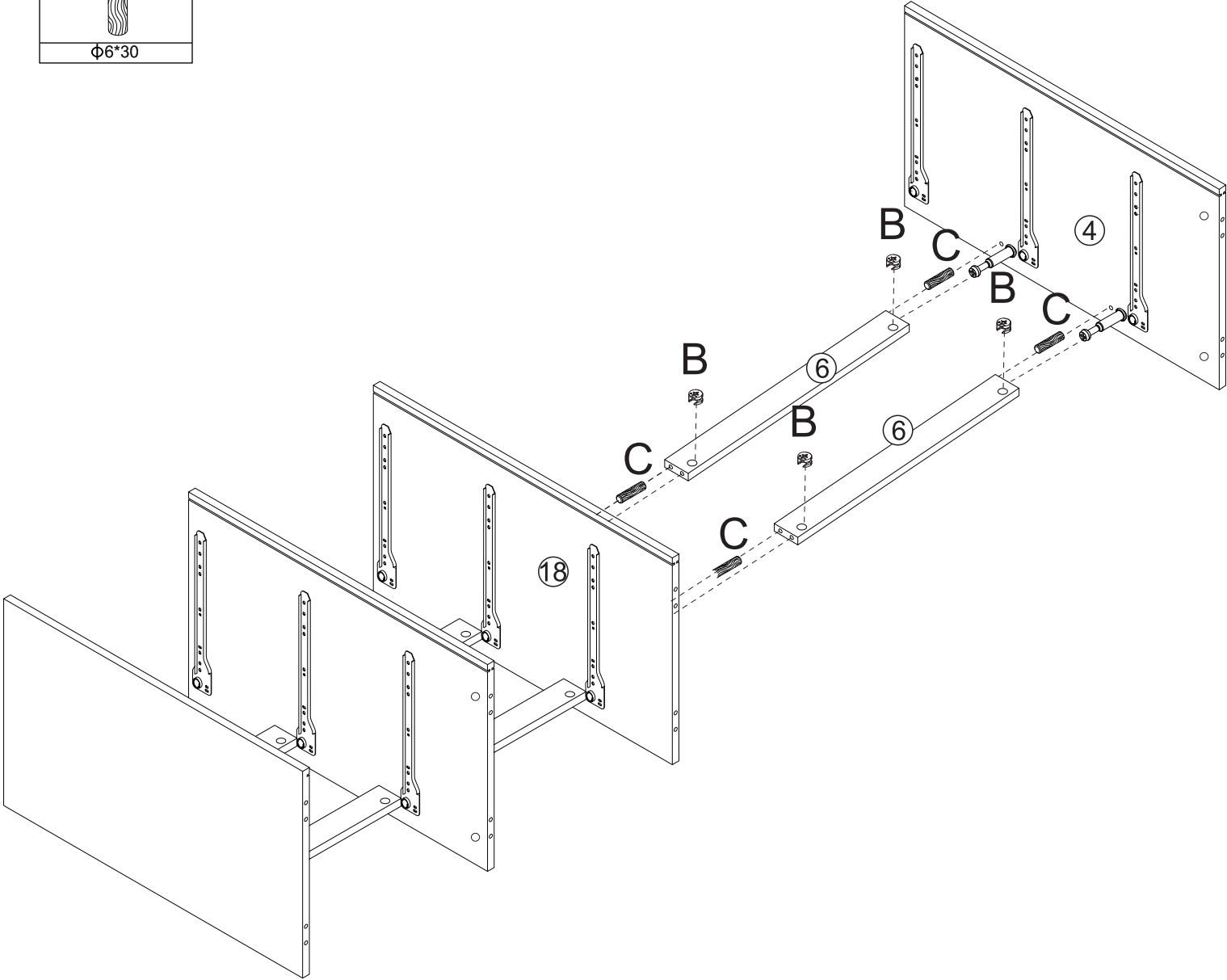
STEP 3

B	X 8
	
Φ15*10	
C	X 8
	
Φ6*30	

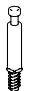
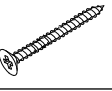



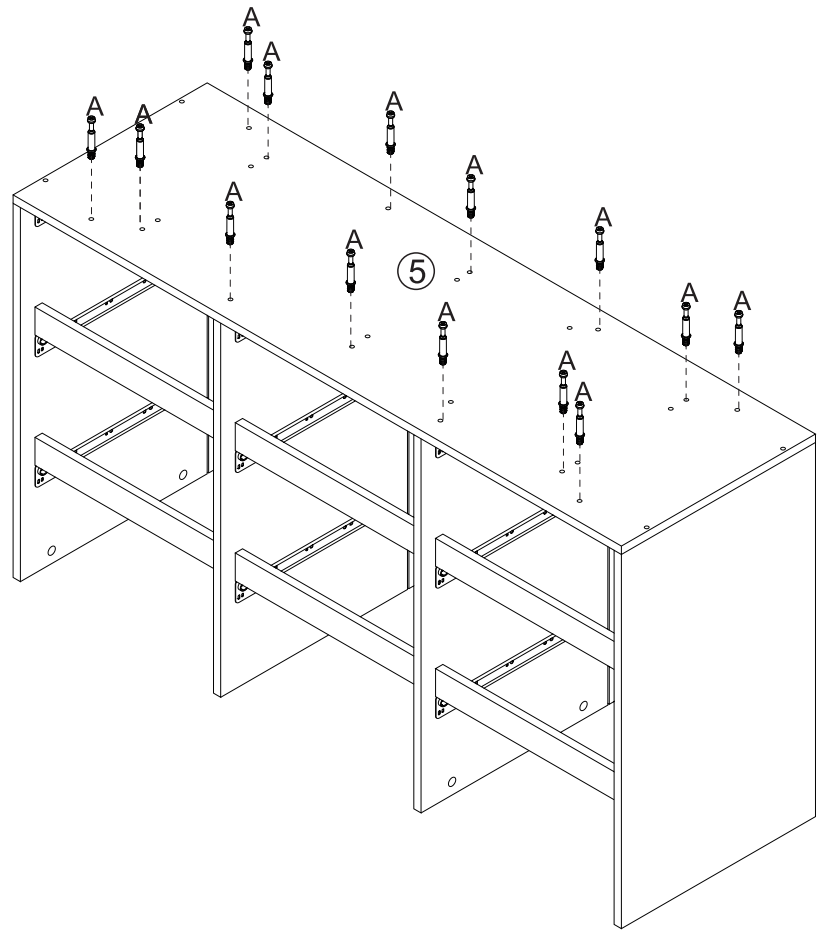
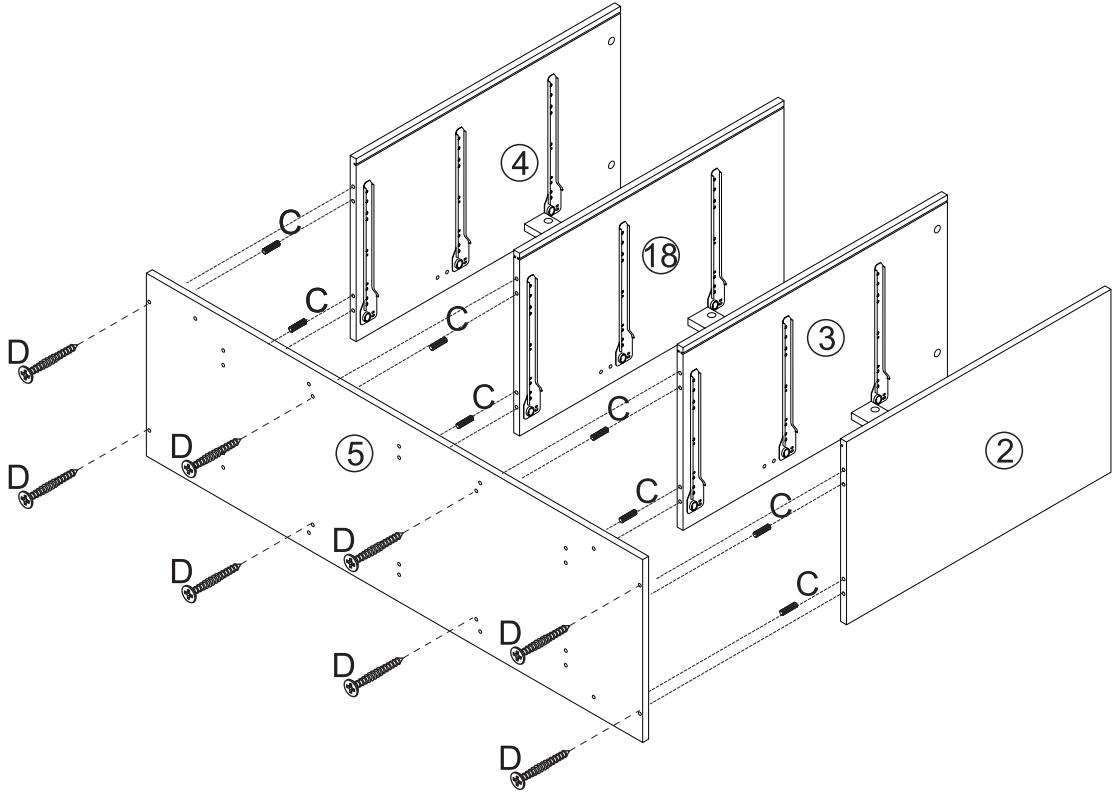
STEP 4

B	X 4
	
Φ15*10	
C	X 4
	
Φ6*30	





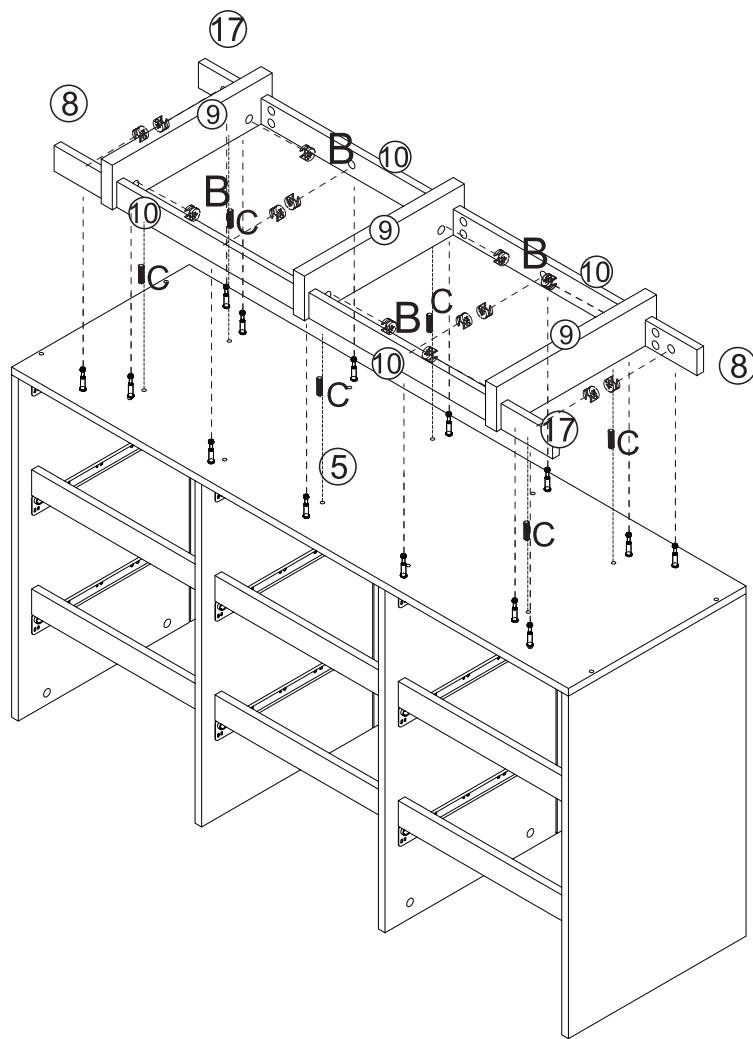
STEP 6

A	X 14
	
M6*35	
D	X 8
	
Φ4*40	
C	X 8
	
Φ6*30	

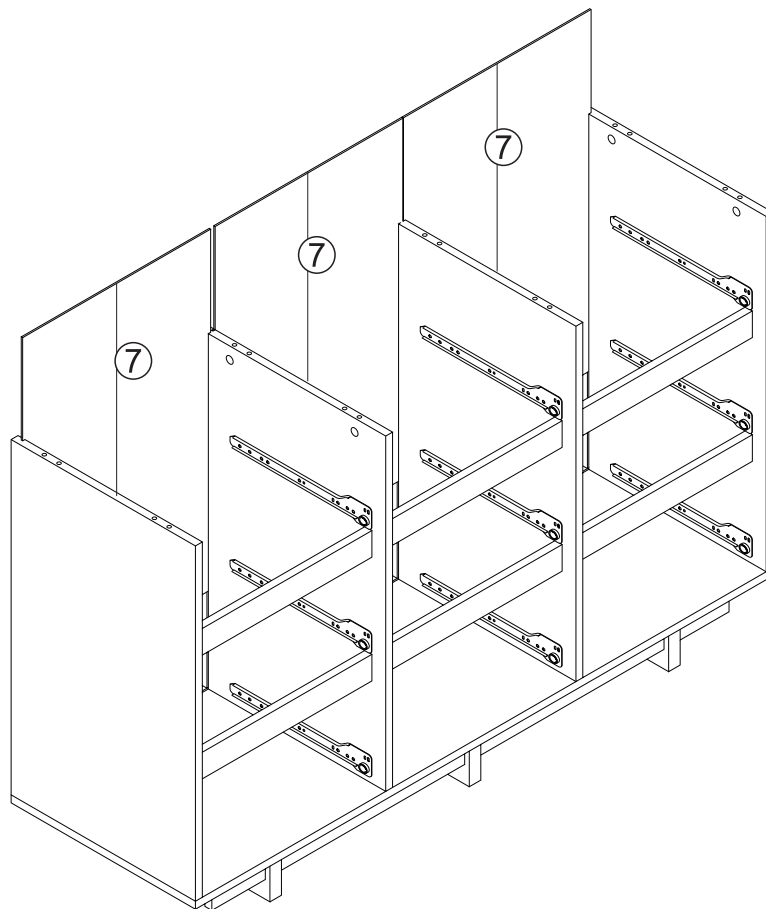


STEP 7


B	X 14
	
$\phi 15 \times 10$	
C	X 6
	
$\phi 6 \times 30$	

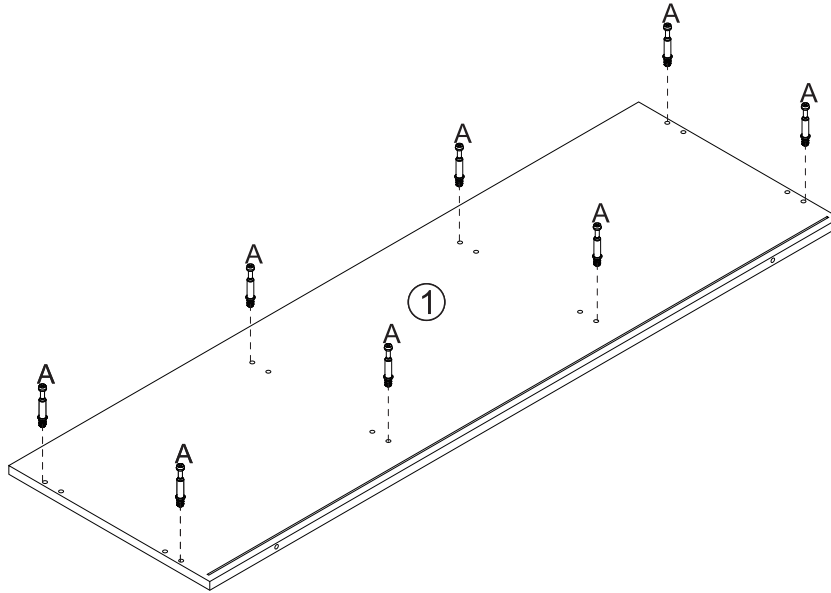


STEP 8





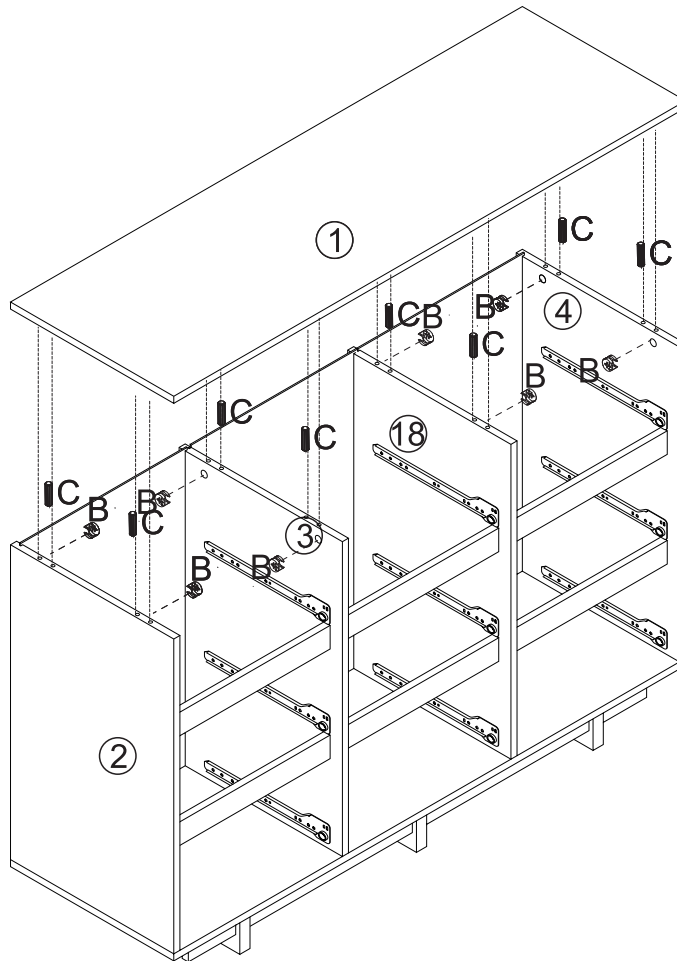
STEP 9

A	X 8
	
M6*35	

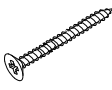


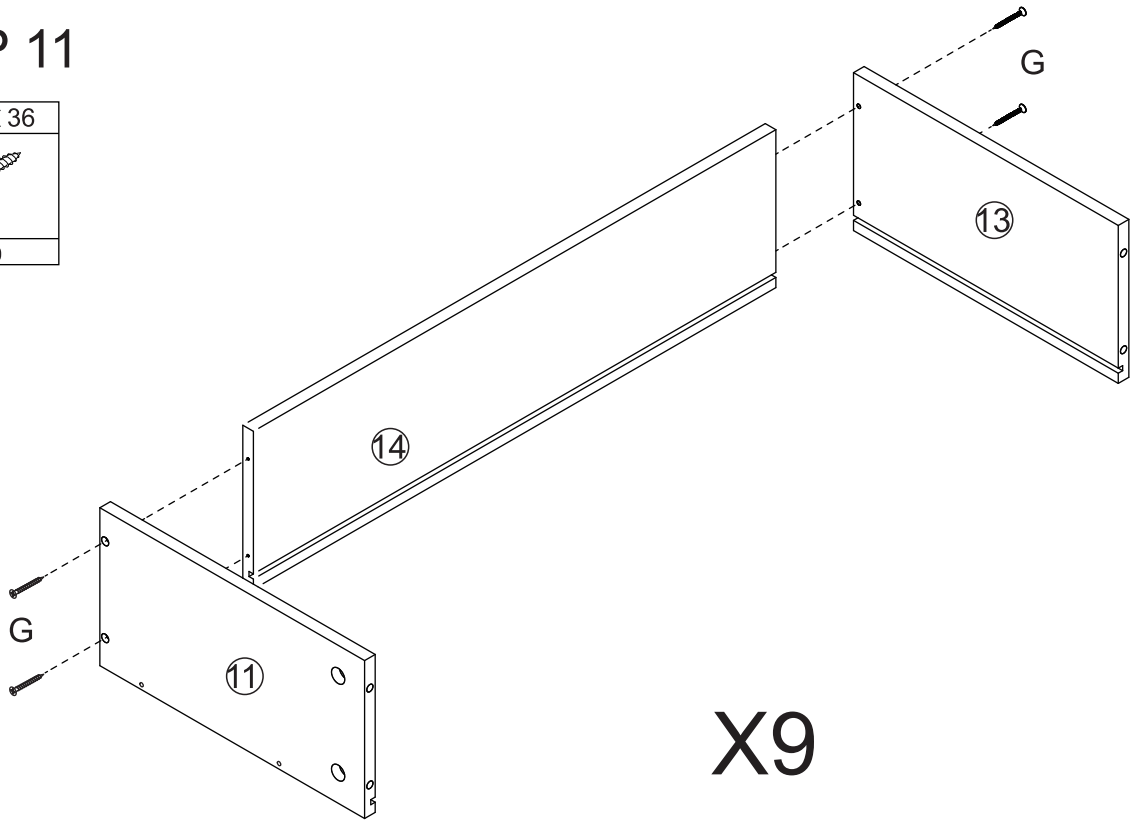
STEP 10

B	X 8
	
Φ15*10	
C	X 8
	
Φ6*30	

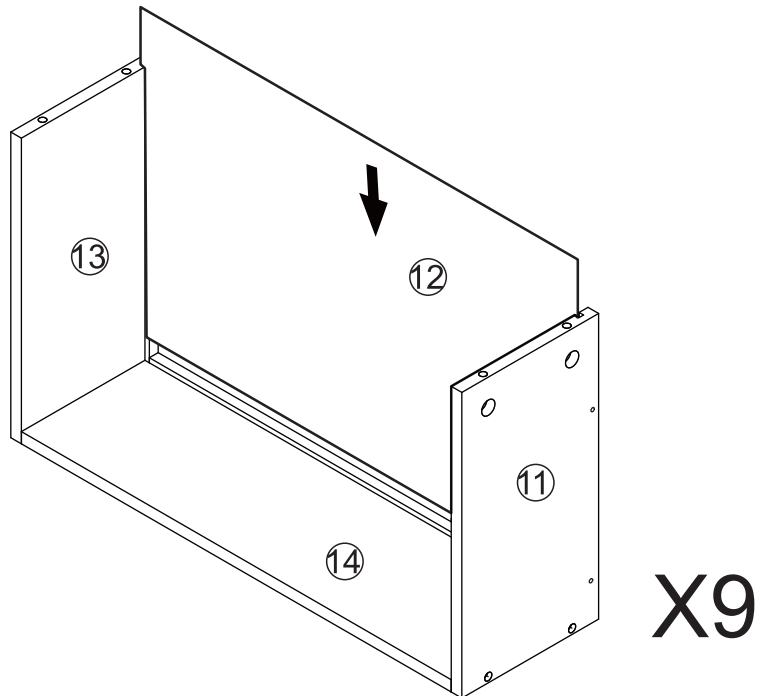


STEP 11

G	X 36
	
Φ4*30	




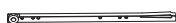



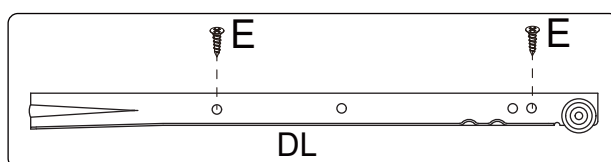
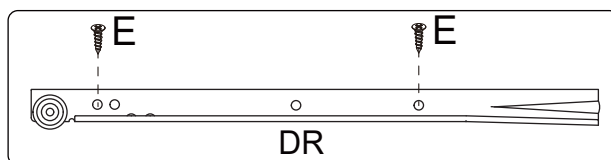
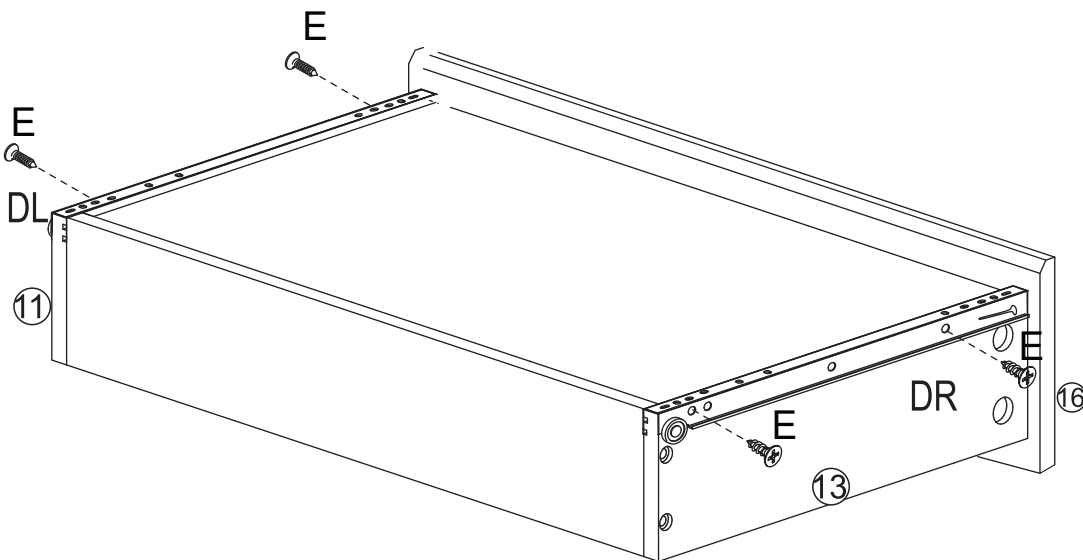
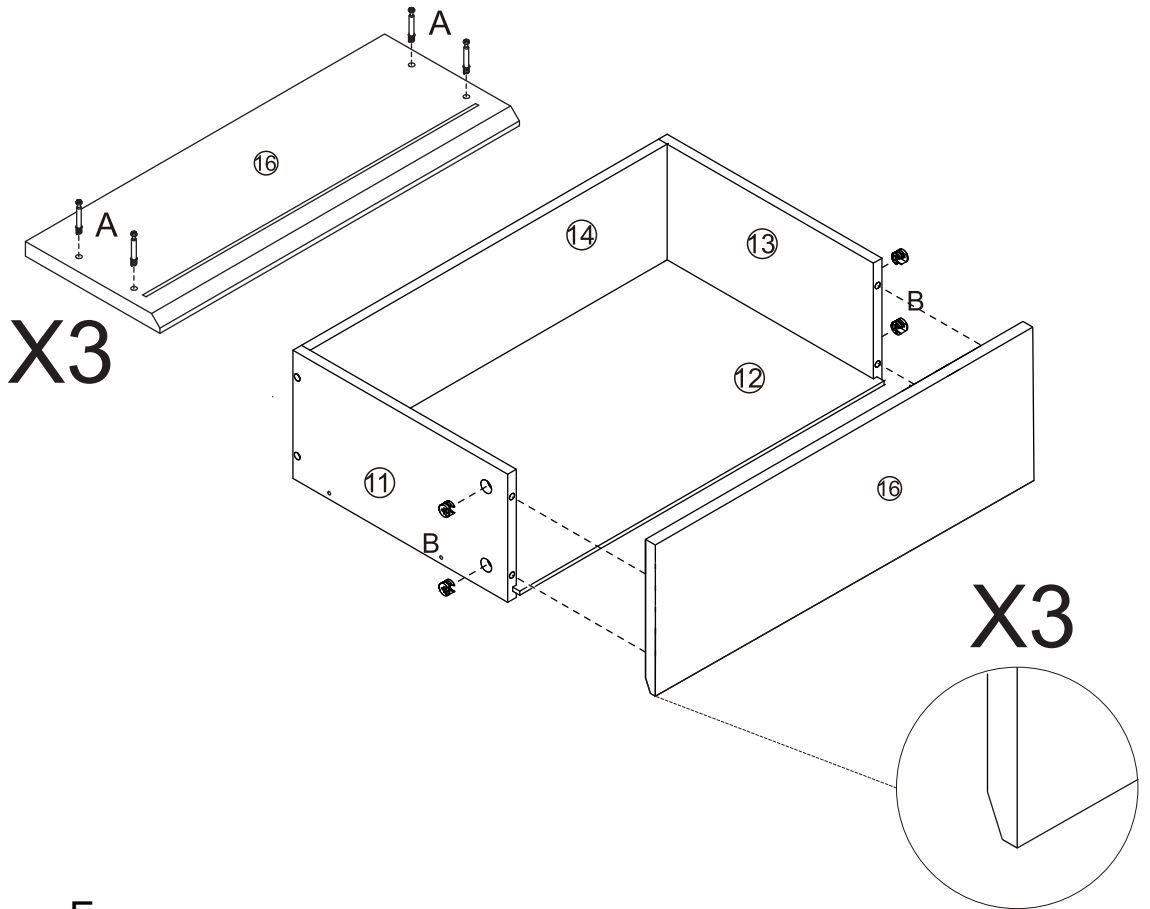
STEP 12



STEP 13






Screw accessory A into board 16, then connect board 16 to boards 11 and 13 with accessory B.

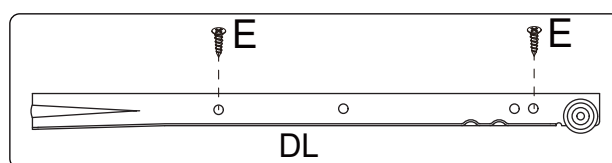
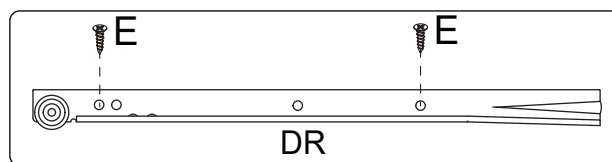
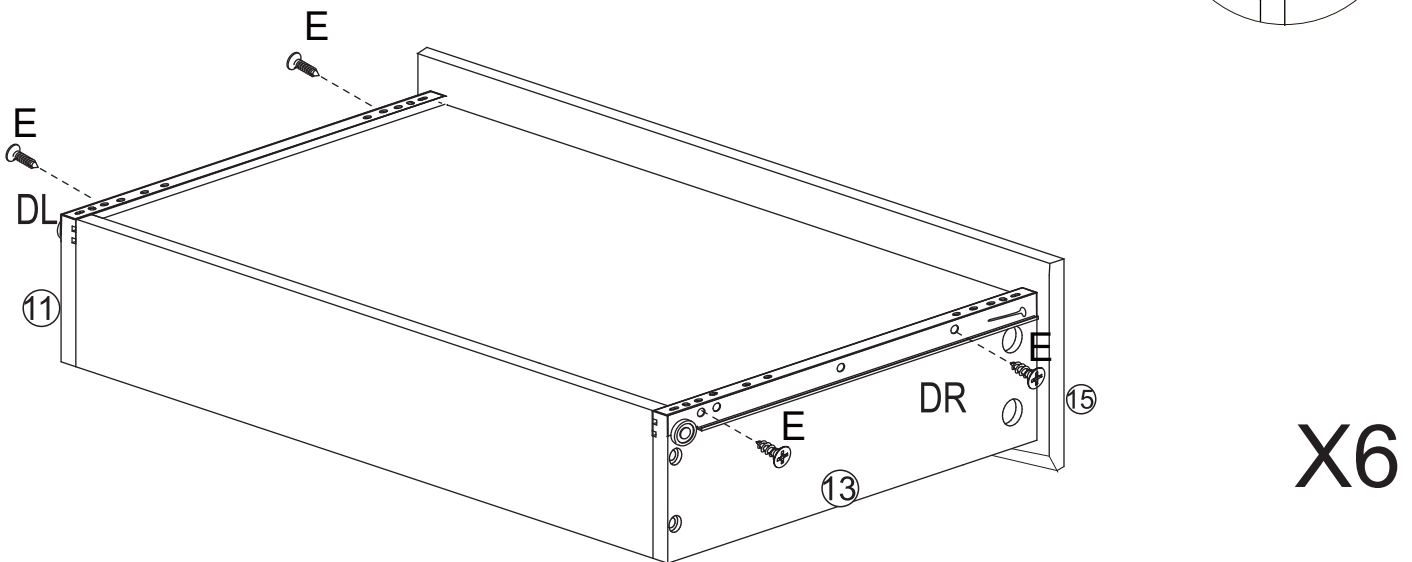
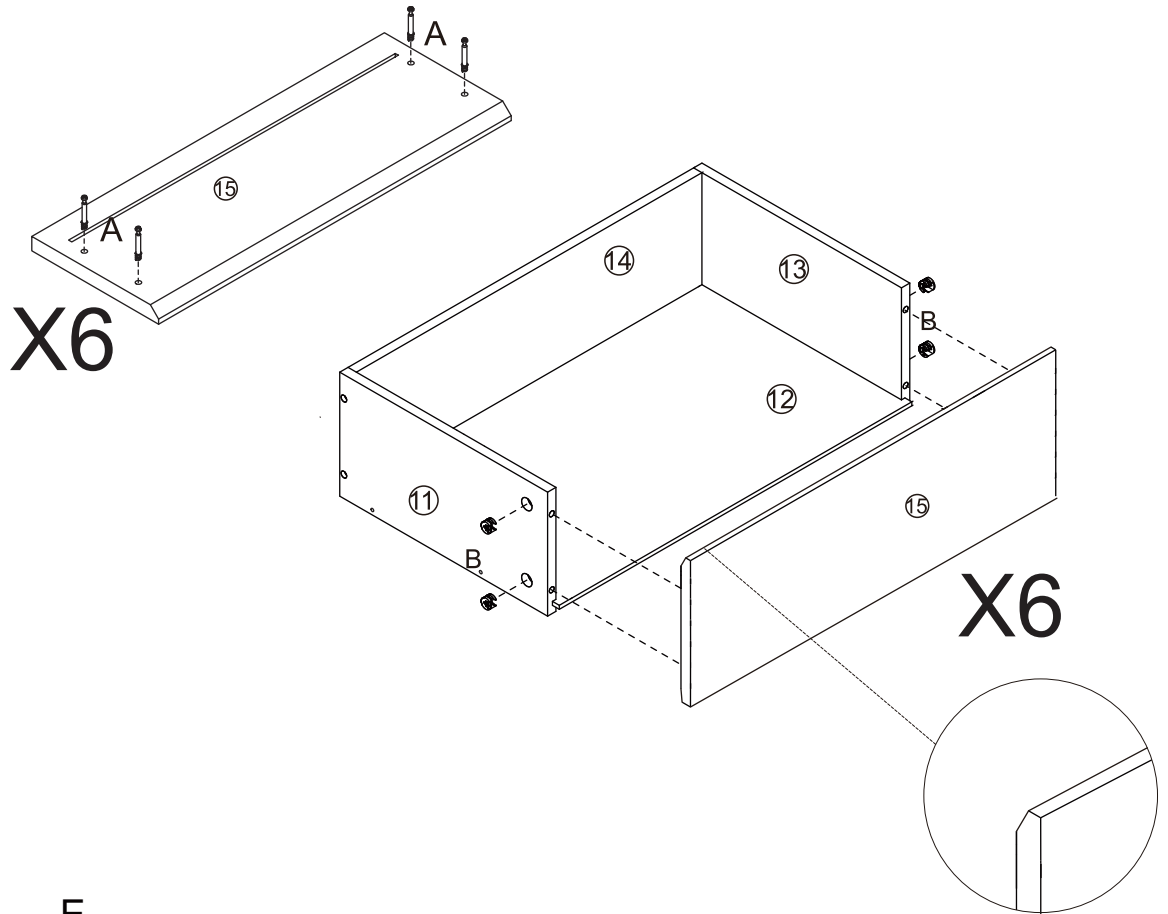
A	X 12
	
M6*35	
B	X 12
	
Φ15*10	
E	X 12
	
M3*12	
DL	X 3
	
DR	X 3
	





STEP 14

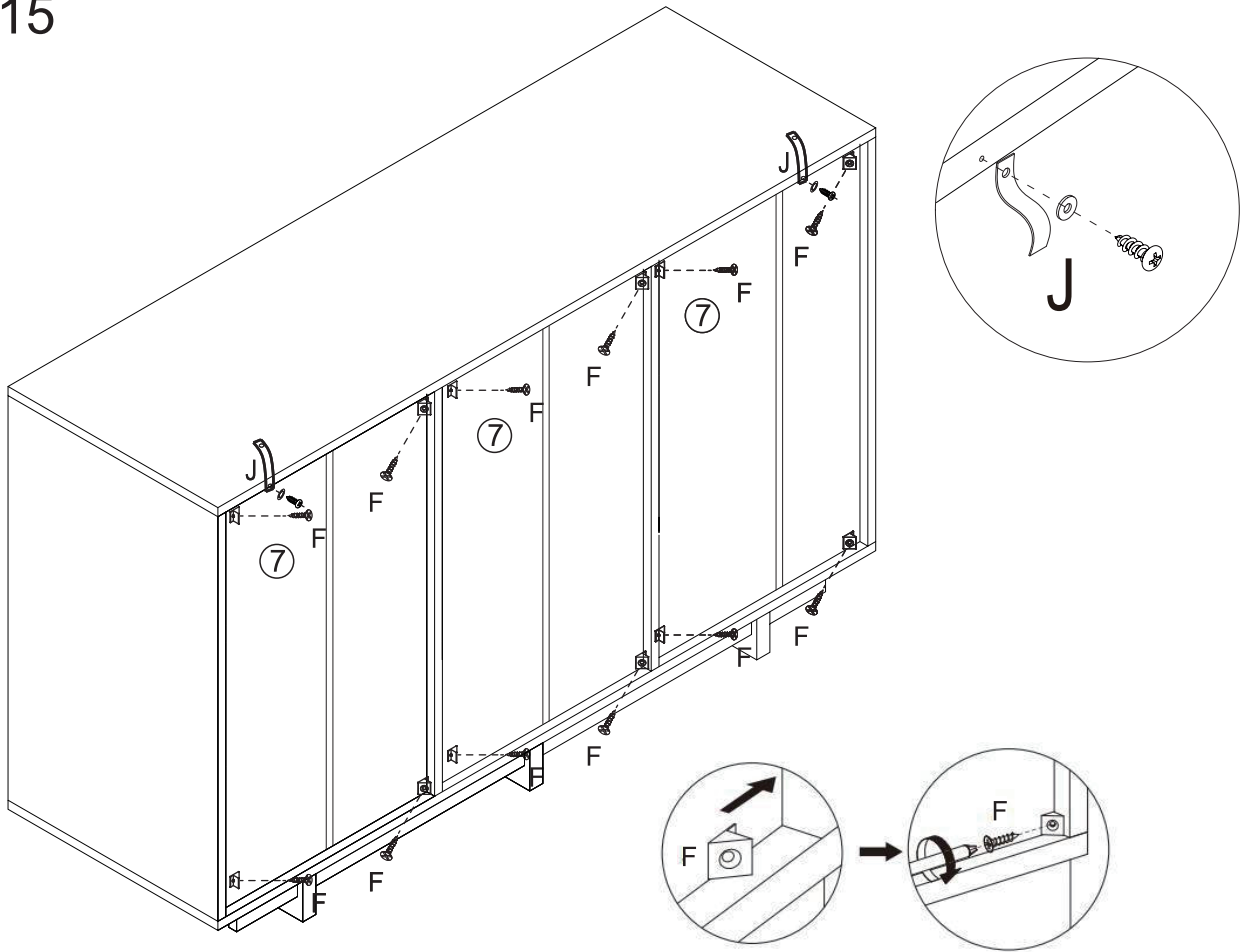
Screw accessory A into board 15, then connect board 15 to boards 11 and 13 with accessory B.

A	X 24
	
M6*35	
B	X 24
	
Φ15*10	
E	X 24
	
M3*12	
DL	X 6
	
DR	X 6
	



STEP 15

F	X12
	
M3*16	
J	X2
	



STEP 16

J	X2
