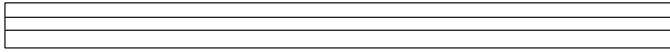


Pre-hung French Door Installation Guide

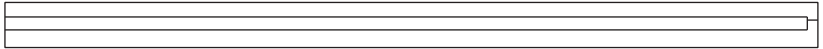
What's included

(A) x1

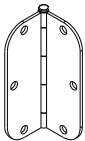


Trimmable for doors from 48"(double 24") to 72"(double 36")

(B) x1



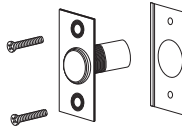
(C) x1



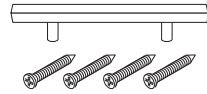
(D) x6



(E) x36



(F) x2



(G) x2

Tools Required

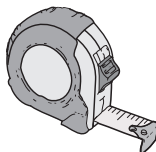
Speed Square



Phillips Screwdriver



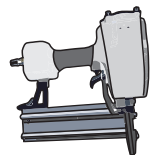
Tape Measure



Pencil

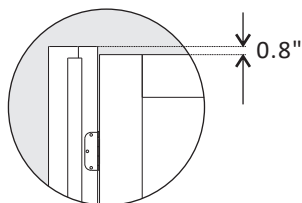
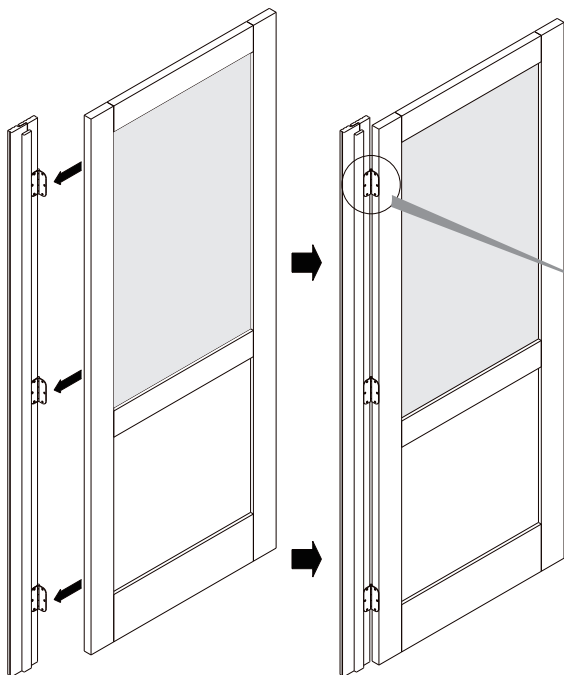


Nail Gun

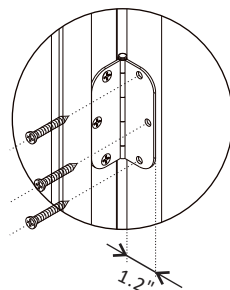


Step ① Attach Door to Jamb

Start from Left Door. Need to Replicate Step 1 & 2 for Right Door



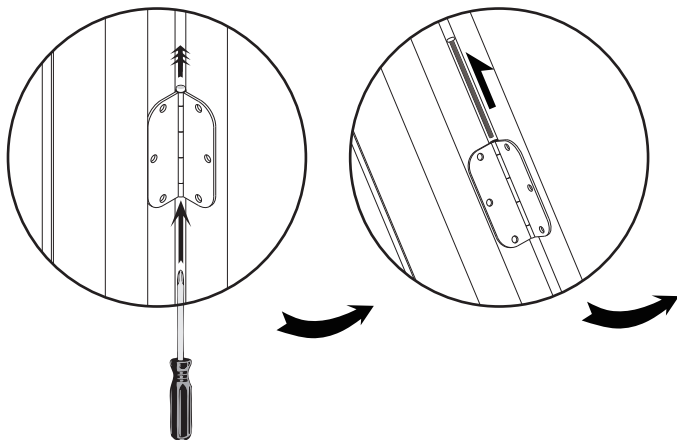
Pro tip: Leave a 0.8" space from the top of the jamb to the top of the door. This space is for the upper jamb.



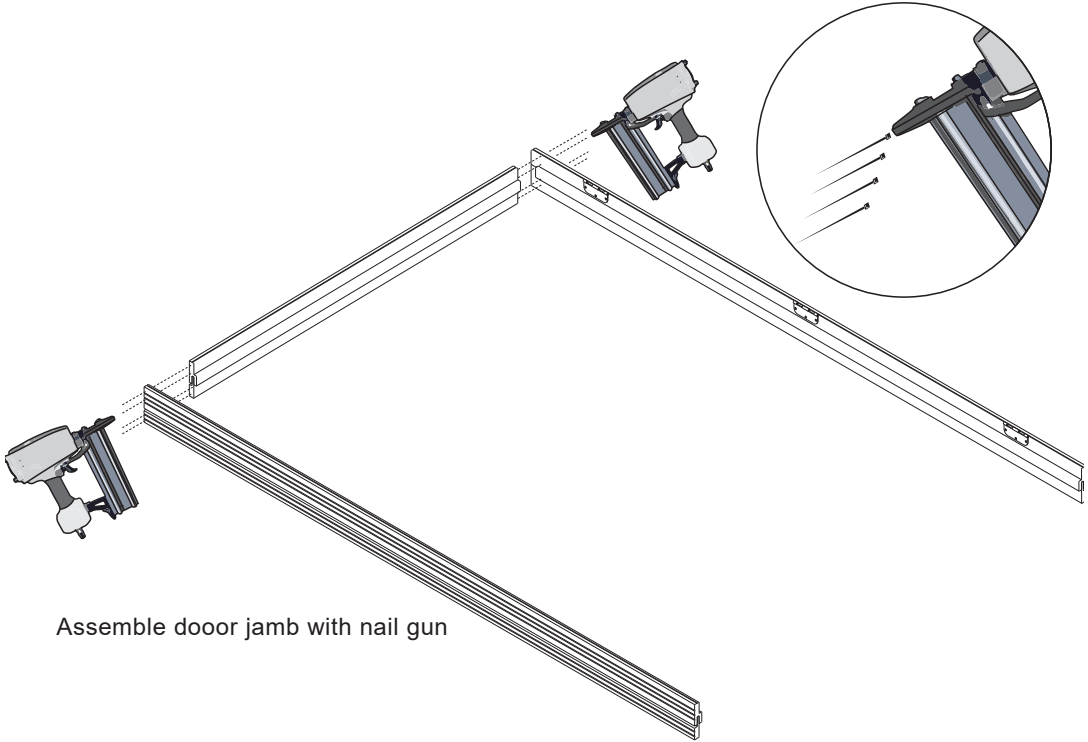
Pro tip: The edge of the hinge should be 1.2 inches from the edge of the door. This will leave enough room for the door to swing.

Step ② De-attach Door and Jamb

Pro tip: A solid door is heavy, so we advise you to install the door jamb first and then attach the door for safety. It's easier to re-attach the door when half of the hinge has already been installed on the door.



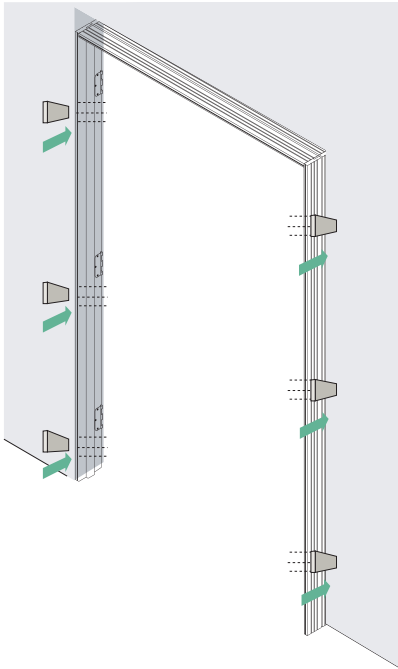
Step ③ Assemble Jamb Kit



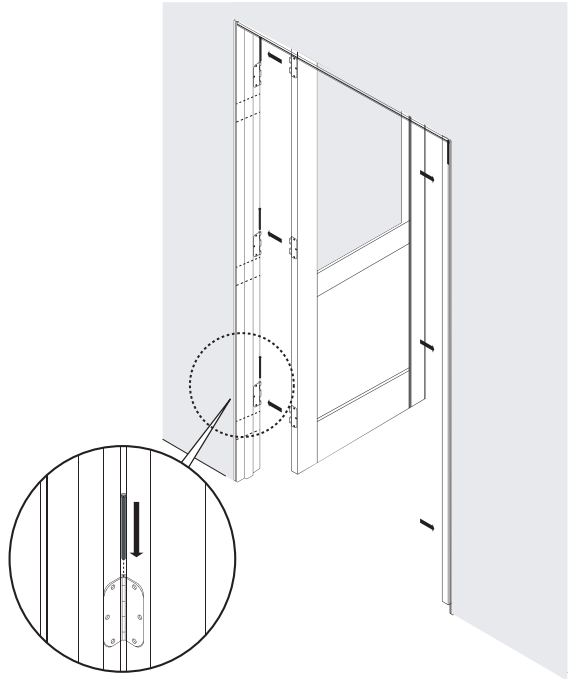
Assemble door jamb with nail gun

Step ④ Install Jamb to the Opening, and Re-attach the Door

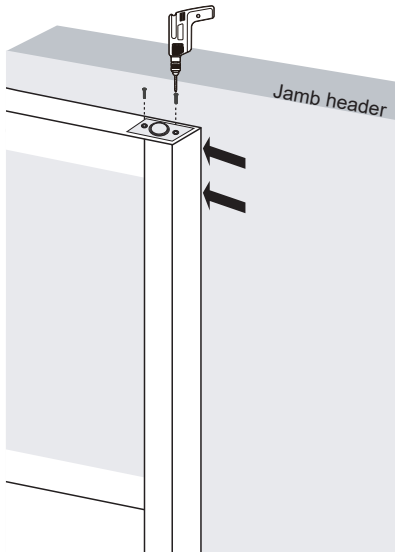
Step 1: Install the jamb



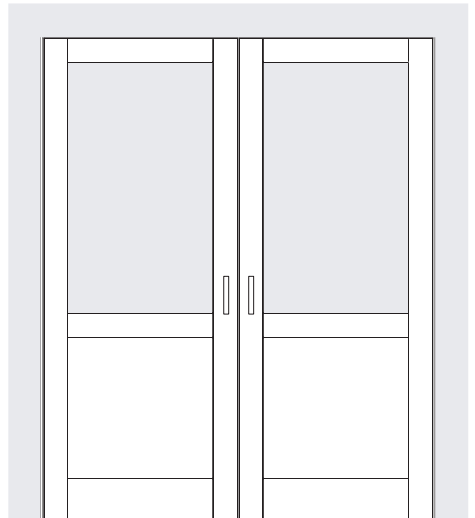
Step 2: Attach the doors



Step 3: Install ball catch as Page 5

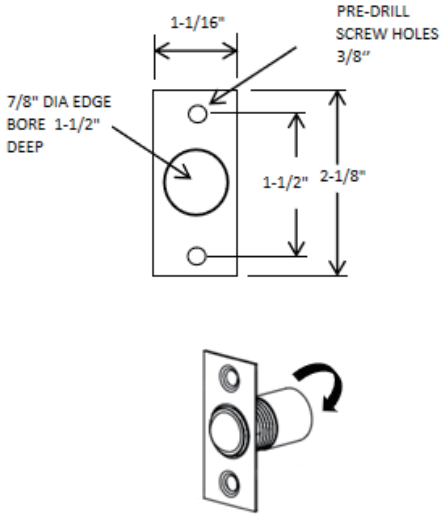


Step 4: Install the door handle



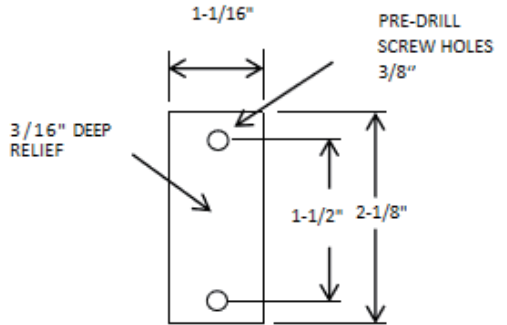
Installation Guide- Ball Catch

Door Prep

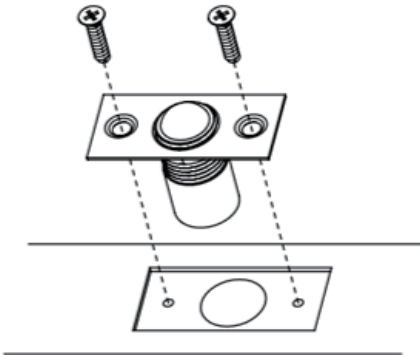


By rotating the bottom part of the ball catch, you can raise or lower the catch to fit in different gap width between door and jamb

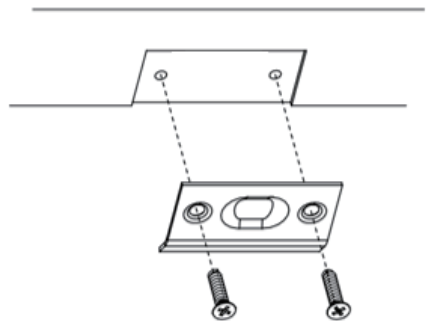
Jamb Prep



Install Ball Catch to Door Side



Install Strike Plate to Jamb Side



Depth of trench excavation 1/16"