







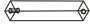

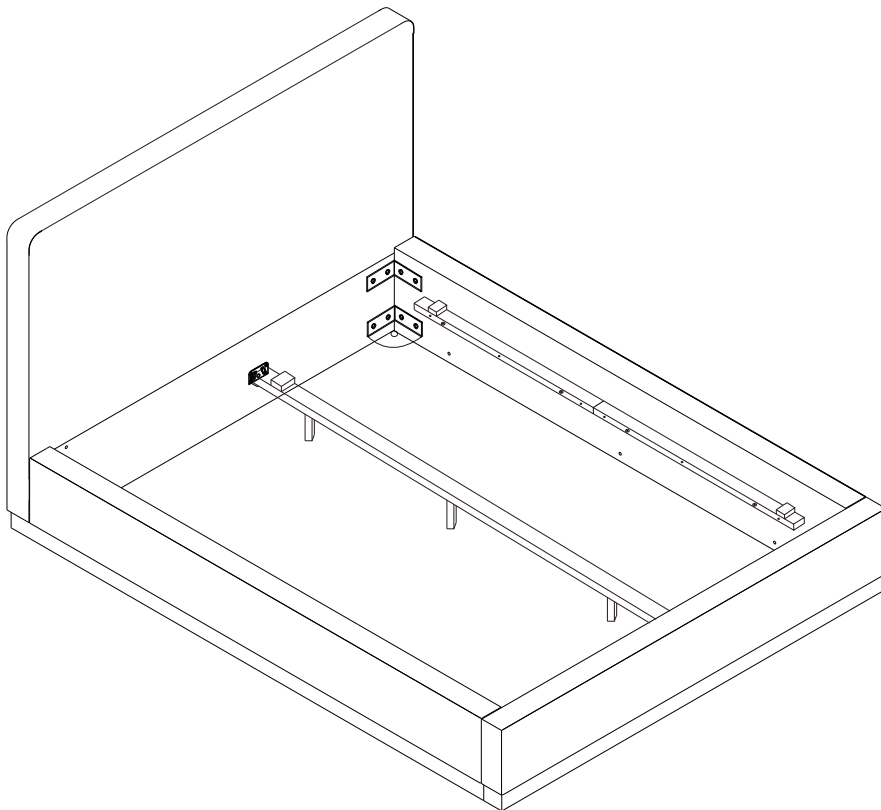
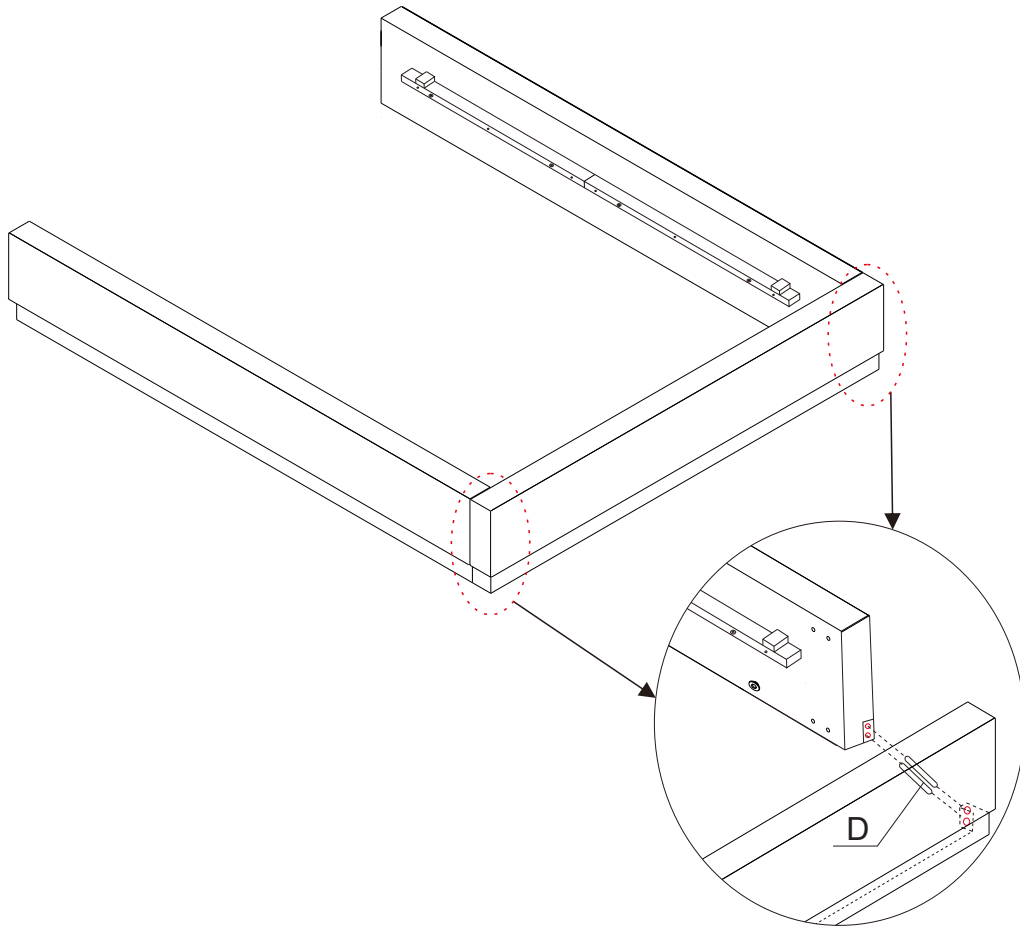


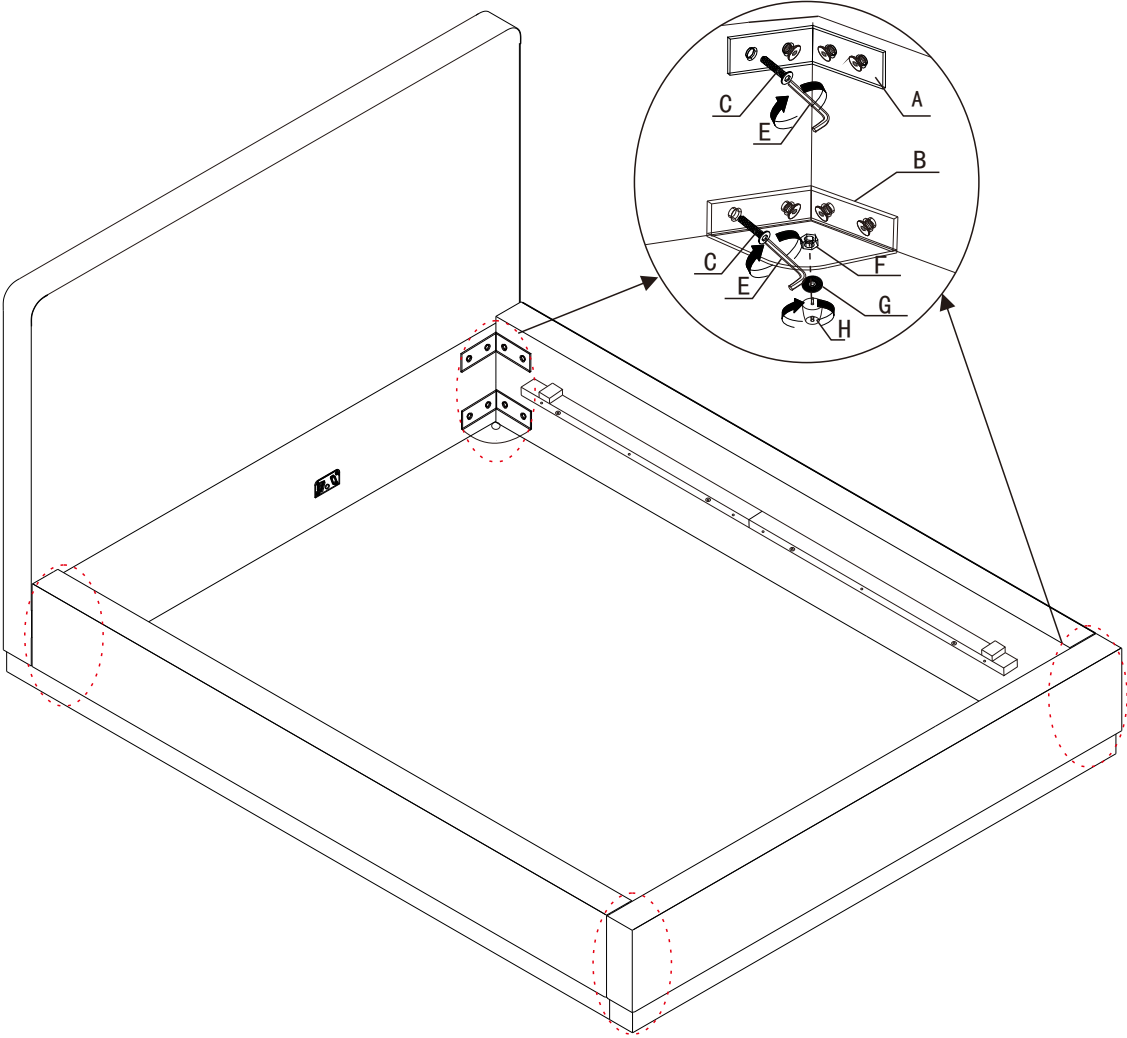
NO.	Quantity	Accessory
A	4	 Metal Support A
B	4	 Metal Support B
C	32	 Screw 8X25 mm
D	4	 Wooden dowel
E	1	 Allen Wrench 5mm
F	4	 Nut
G	4	 Rubber pad 3mm
H	4	 Bed leg
I	3	 Center leg
J	16	 Screw 5x40mm



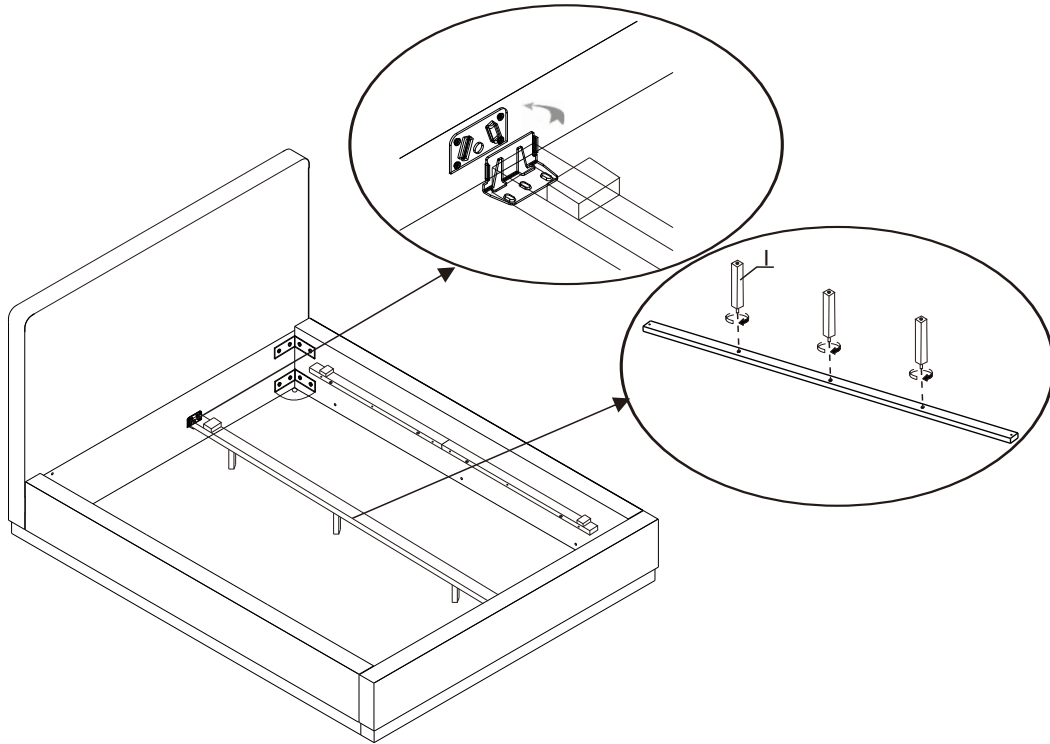
- 1 Insert wooden dowels to secure the bed sides and the footboard.



2 Install metal support A and B and bed legs.



- ④ Install center legs.



- ⑤ Lay the slat on the frame and secure it with screws.

