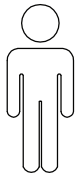
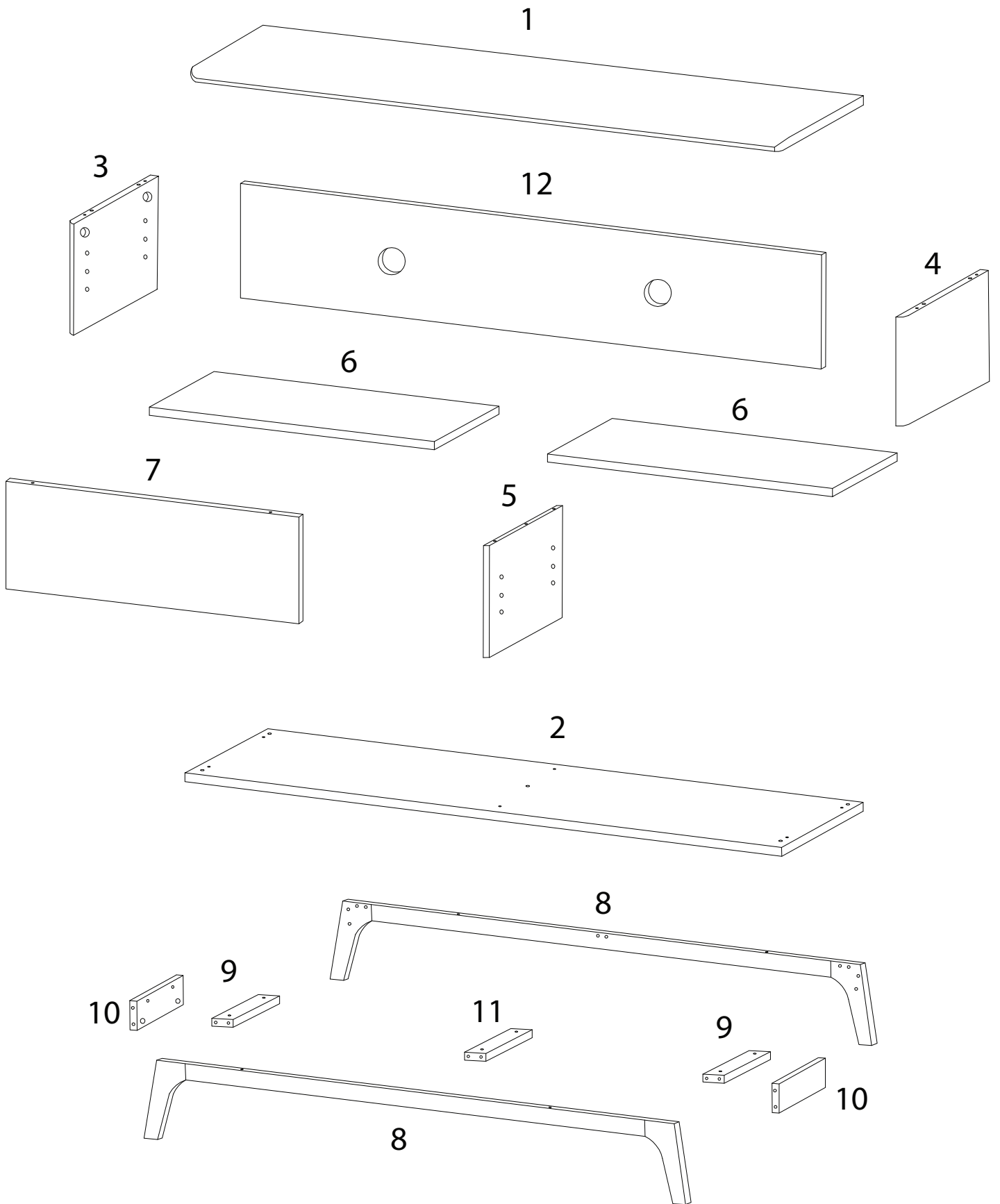
	<p>60'</p>
		
		<p>2</p>

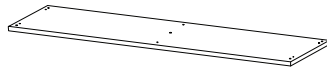


1



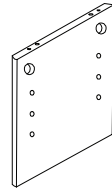
x 1

2



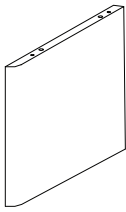
x 1

3



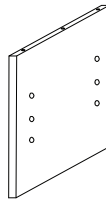
x 1

4



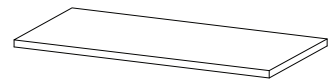
x 1

5



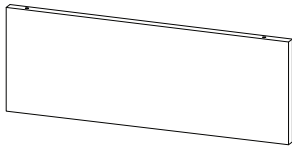
x 1

6



x 2

7



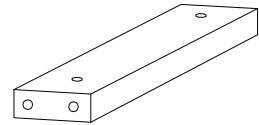
x 1

8



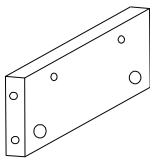
x 2

9



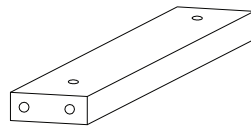
x 2

10



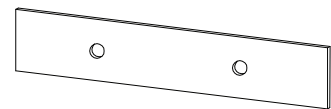
x 2

11



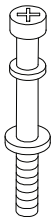
x 1

12



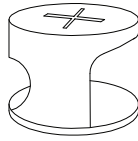
x 1

A



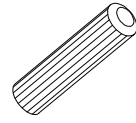
x 9

B



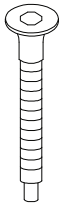
x 9

C



x 36

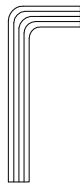
D



M7
x
50

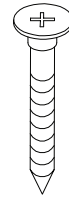
x 5

E



x 1

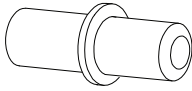
F



12
x
35

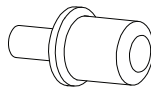
x 6

G



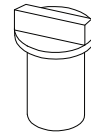
x 8

H



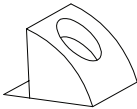
x 2

I



x 2

J



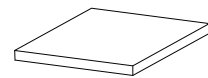
x 8

K



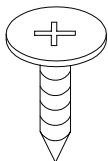
x 2

L



x 4

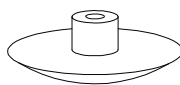
M



3.5
x
15.5

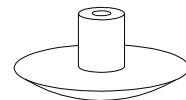
x 8

N



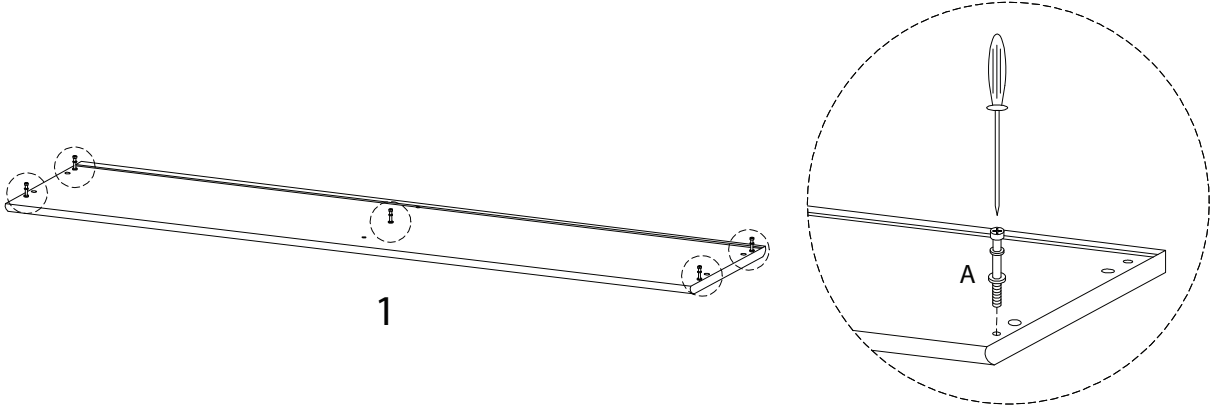
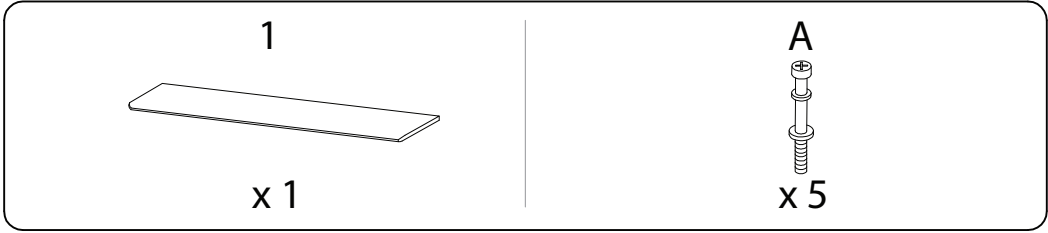
x 1

O

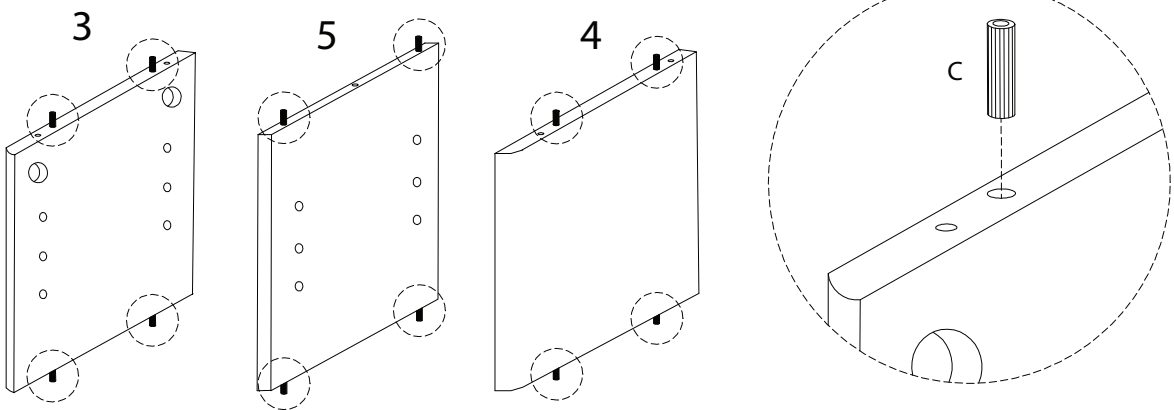
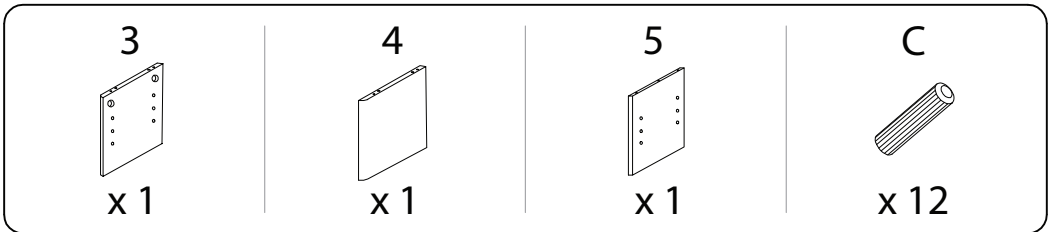


x 4

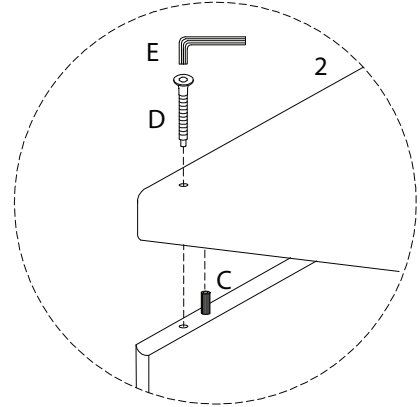
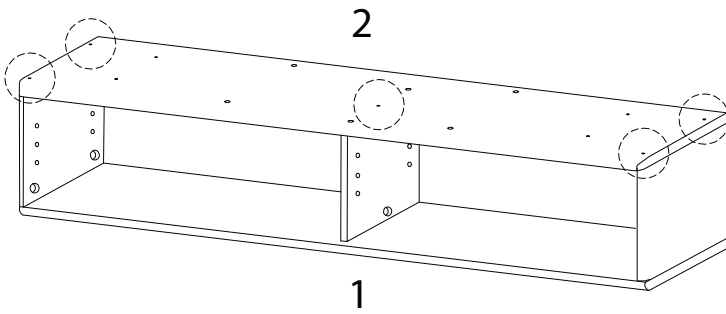
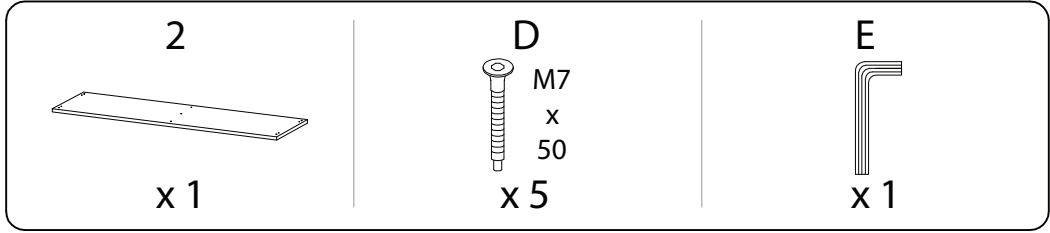
1



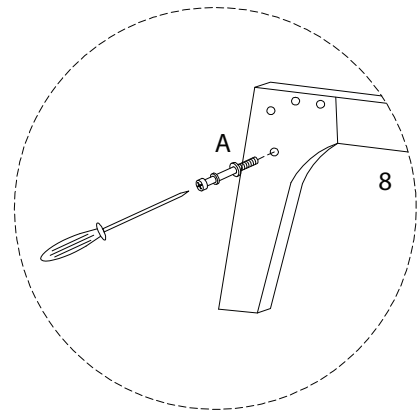
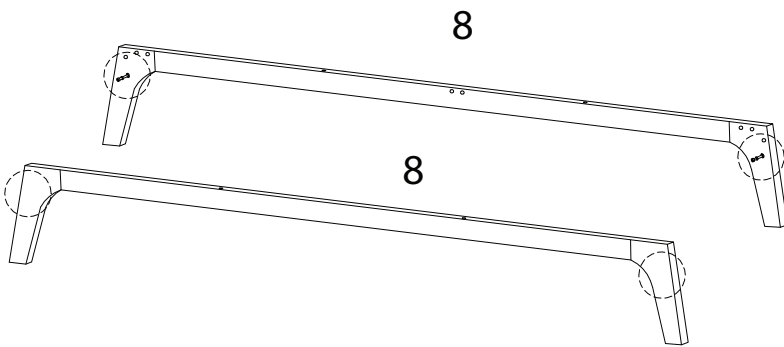
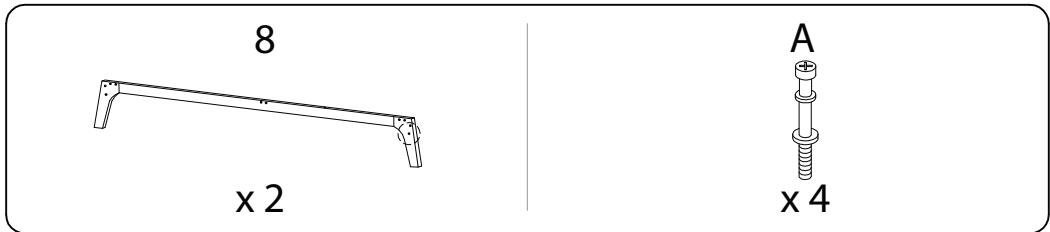
2



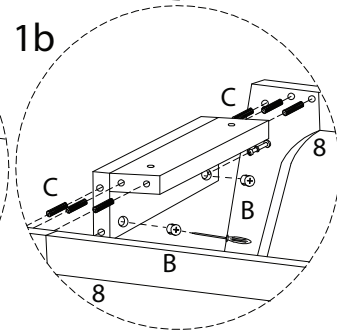
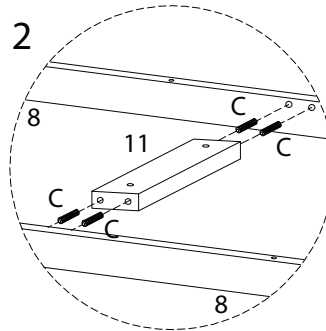
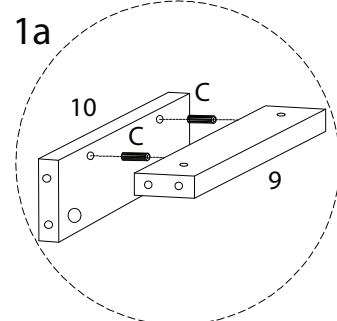
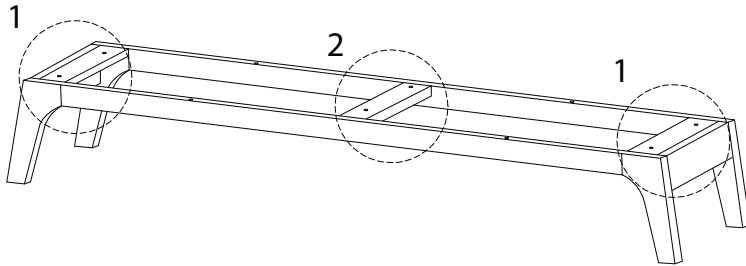
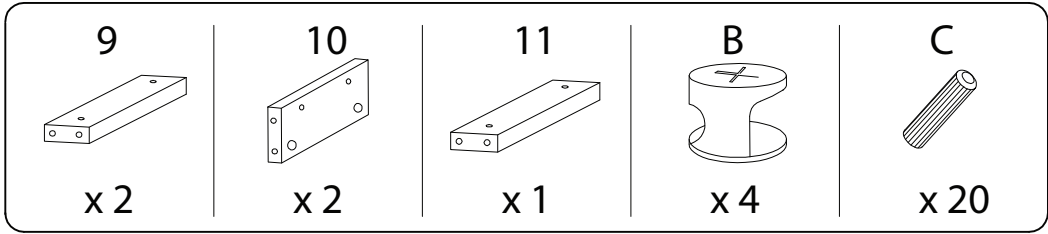
5



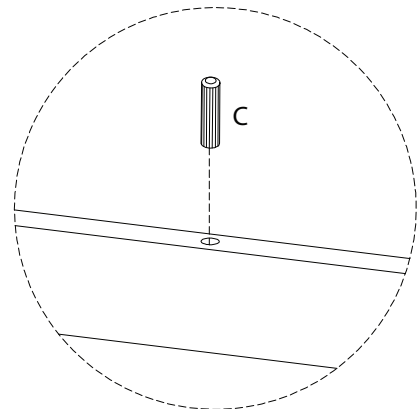
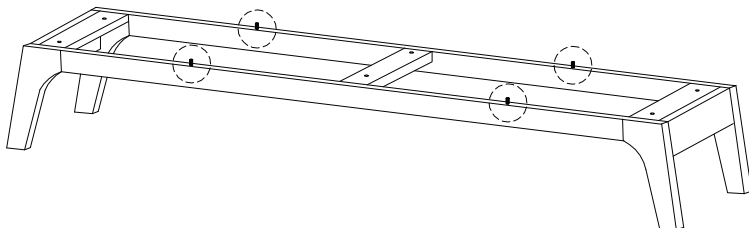
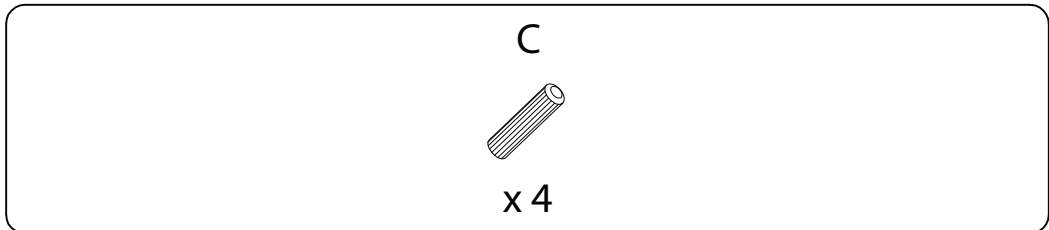
6



7

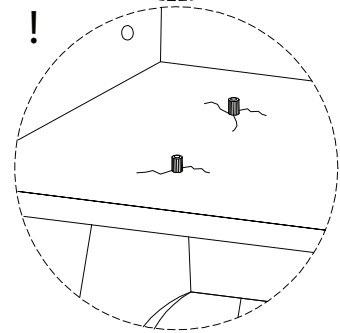
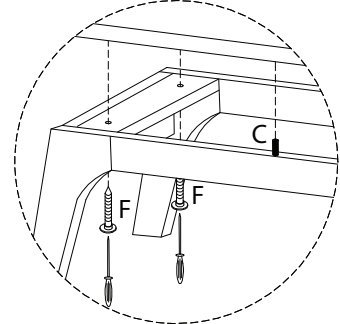
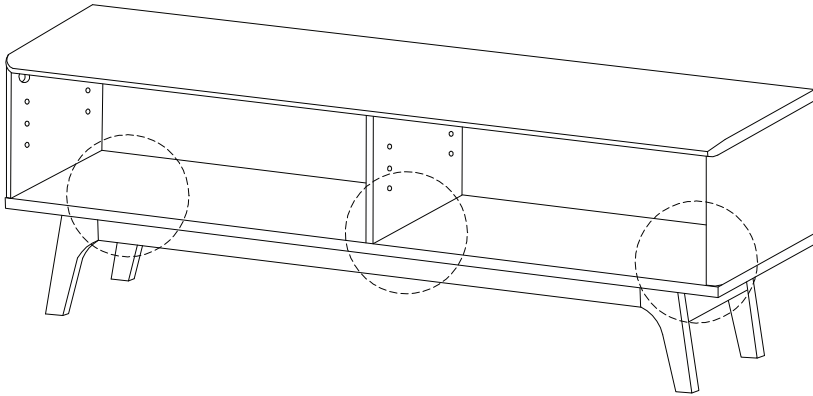


8



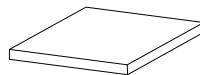
9

F
12
x
35
x6

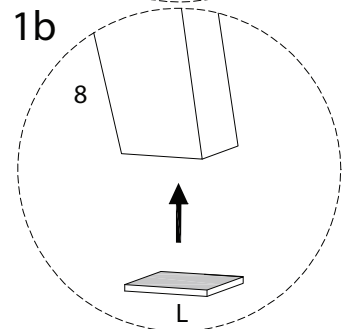
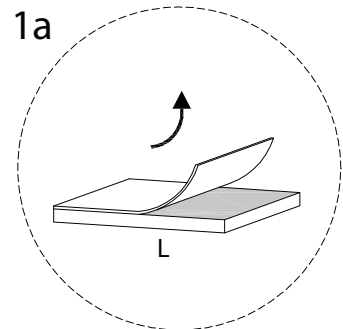
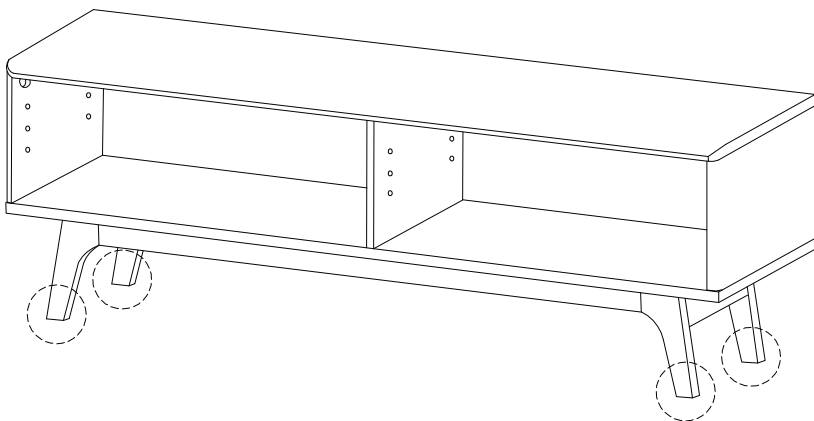


10

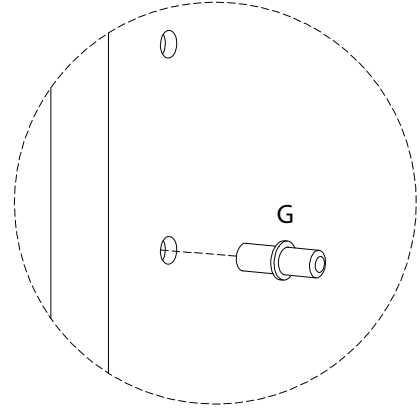
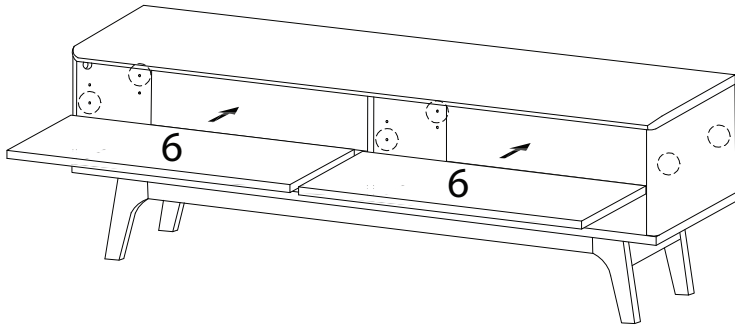
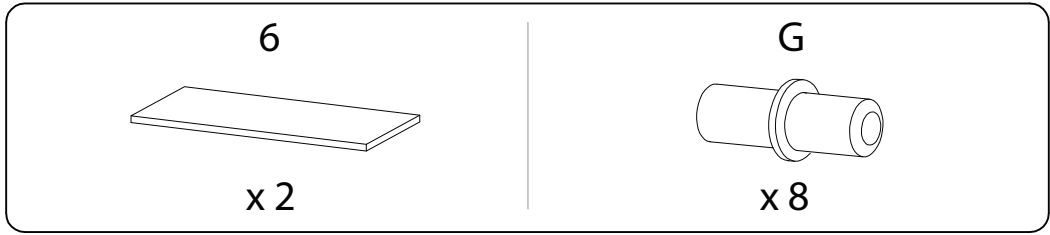
L



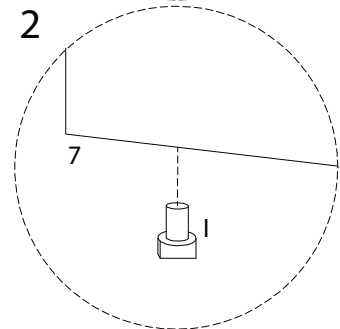
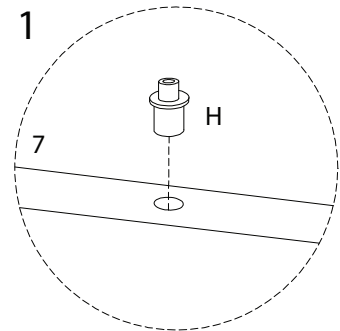
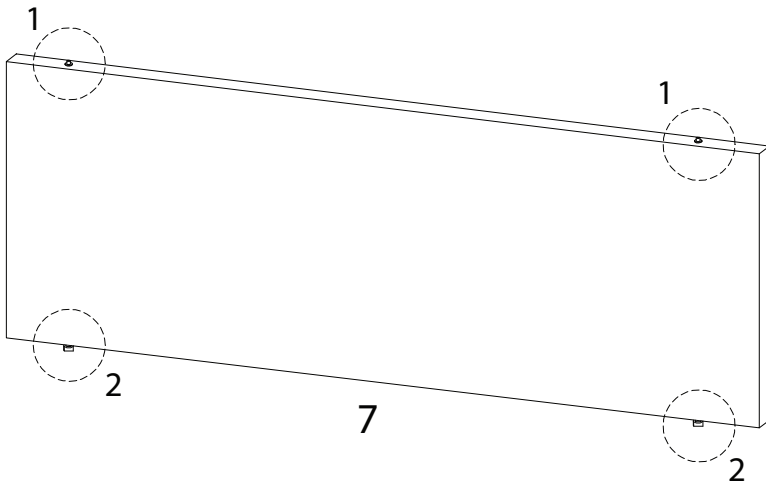
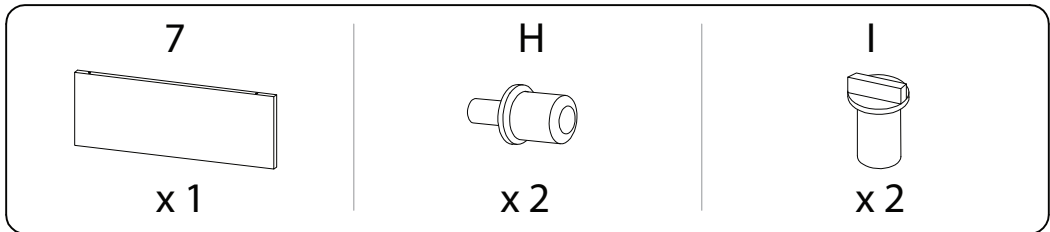
x4



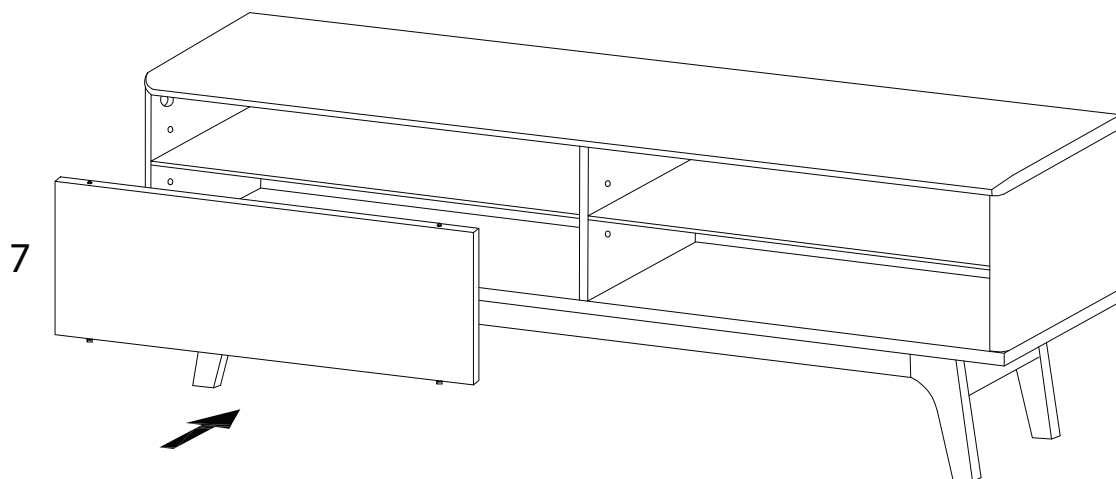
11



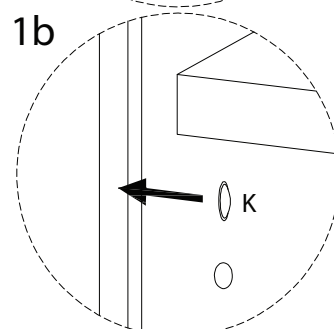
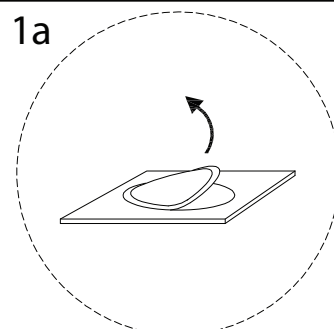
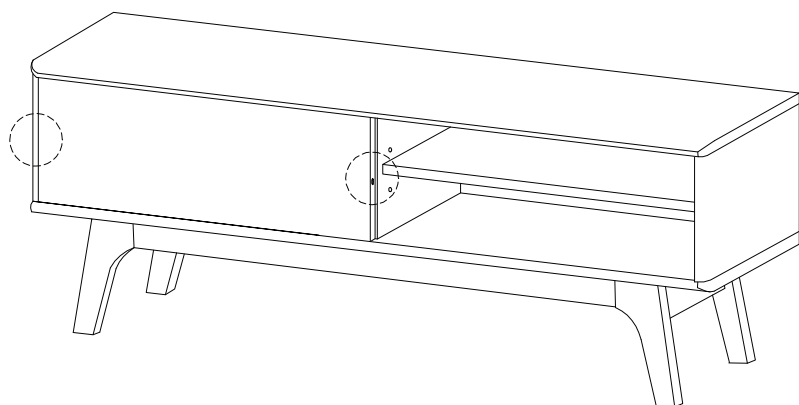
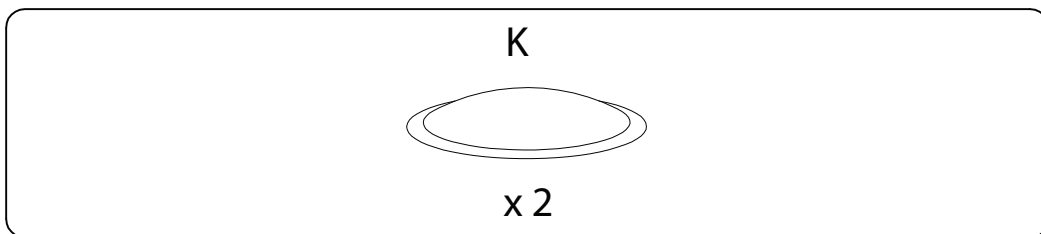
12



13

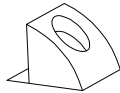


14



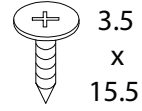
15

J



x 8

M



3.5
x
15.5

x 8

