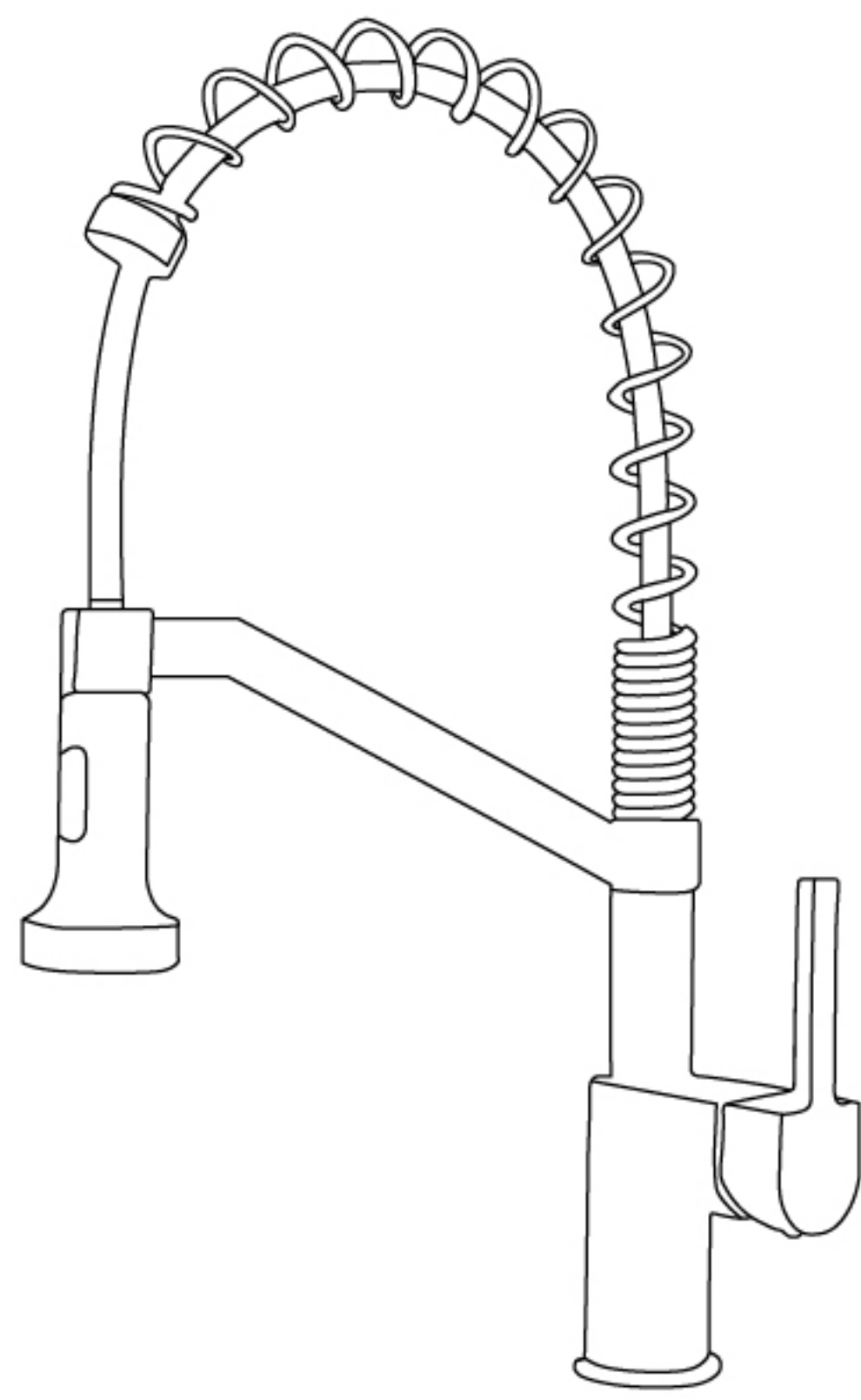


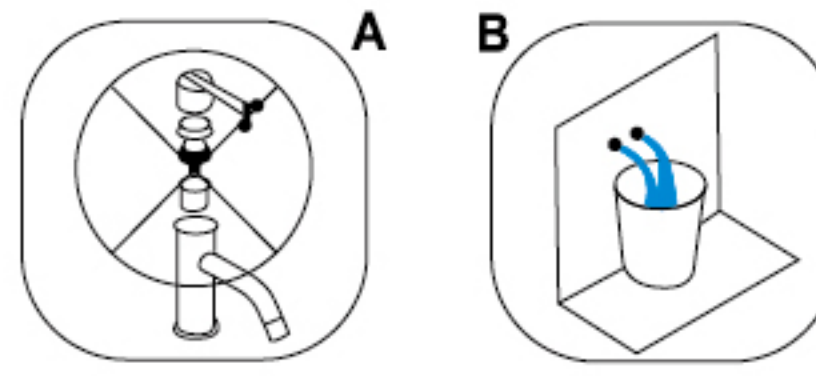
# INSTALLATION INSTRUCTIONS

## Kitchen faucet installation notes



### Note and maintenance

1. Main valve core group has been tested and adjusted by factory and please don't dismount by yourself, as shown below in diagram A.
2. Please remove the dirties in the pipe before installation; and install the faucet until the water is clean after drawing off the water for a long time to avoid the faucet is blocked up and outlet function is damaged, as shown below in diagram B.



3. The stainless steel supply line we provide is a 24 inch length, 3/8 inch compression. If you need different sizes, please contact me.
4. Faucet body has been tested and debugged by factory. So there may be residual water stains in the main body of the faucet, please don't worry, this is NOT a second-hand product.
5. Please note left for hot water and right for cold water. If wrong, the red/blue label in the handle will be contrary.
6. After installing please open water supply valves and check for connections and leaks.
7. Use water pressure under 0.05Mpa-0.75Mpa

### Warranty

Free replace the same model product within 30 days from the date of purchase if you find any manufacturing defects during normal residential use. Five years warranty for faucets body and valve is maintenance-free. If more than 5 years, you need to pay for the new spare and accessory parts during the maintenance. Please contact Email: owofan@outlook.com

Any quality issues arising from the following actions are not covered by this warranty.

1. Quality problems due to improper installation, replacement, repair, and like these are not covered by this warranty.
2. The quality problems caused by misuse, abuse, neglect and the use of nonoriginal accessories. Such as using a hard rag such as a steel ball or a strong acidbase cleaner to clean the product, resulting in a sensing window and The outer casing is scratched and corroded; the water pressure is not used in the limited range of the product; the water quality is blocked or rusted due to poor water quality etc.
3. Damage caused by other irresistible factors.

### Please clean up the faucet regularly in order to keep its surface bright and clean

1. Clean the faucet and wipe surface with a soft cotton cloth.
2. Don't use wash detergent or nylon bristle brush with coarse-grain, such as cleaner, polishing powder etc. to avoid wear product.
3. Since the acid detergent can erode the coating, can't use it on faucet. If use acid detergent doesn't flow the surface of faucet to erode its coatings.

### A letter to all buyers

Hi my dear buyer

Thank you for purchasing our kitchen faucet. If you have not already left a review on our product we'd really appreciate you doing that. We take all reviews seriously and want to ensure orders are processed promptly and shipments arrive as promised.

We strive for a high quality product and customer experience. If you have just 2 minutes to spare and are enjoying your product. Please share review. Thank you !

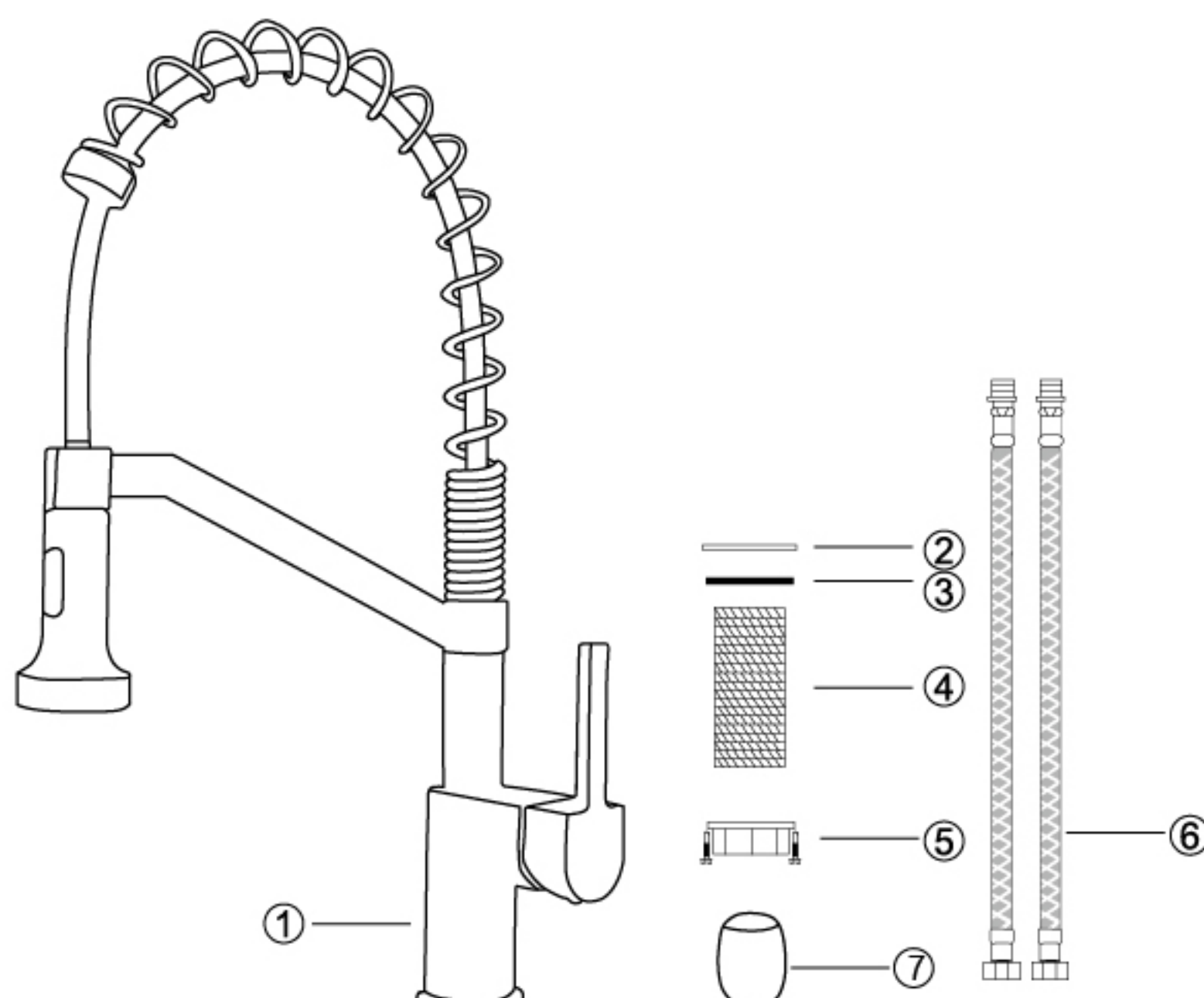
Lastly, if there are any issues with the product, please reply to email directly or contact Amazon Customer Service before leaving a review so we can take care of any issues first:

\*OWOFAN-customer-service-Email: [owofan@outlook.com](mailto:owofan@outlook.com)

Thank you and please have a fantastically glorious day. We really do hope you're enjoying your purchase.

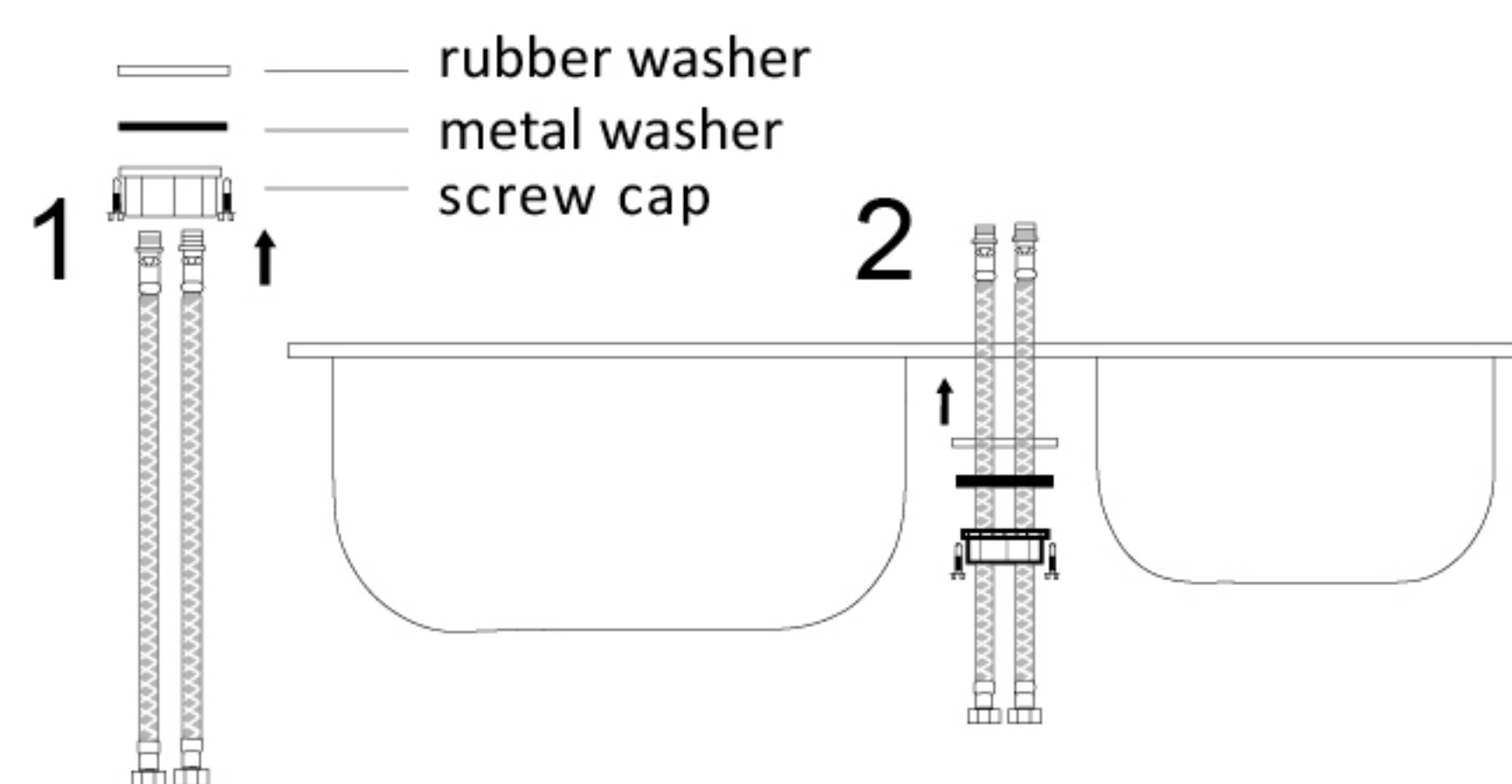
Sincerely,  
OWOFAN Customer Service

#### ① All accessories

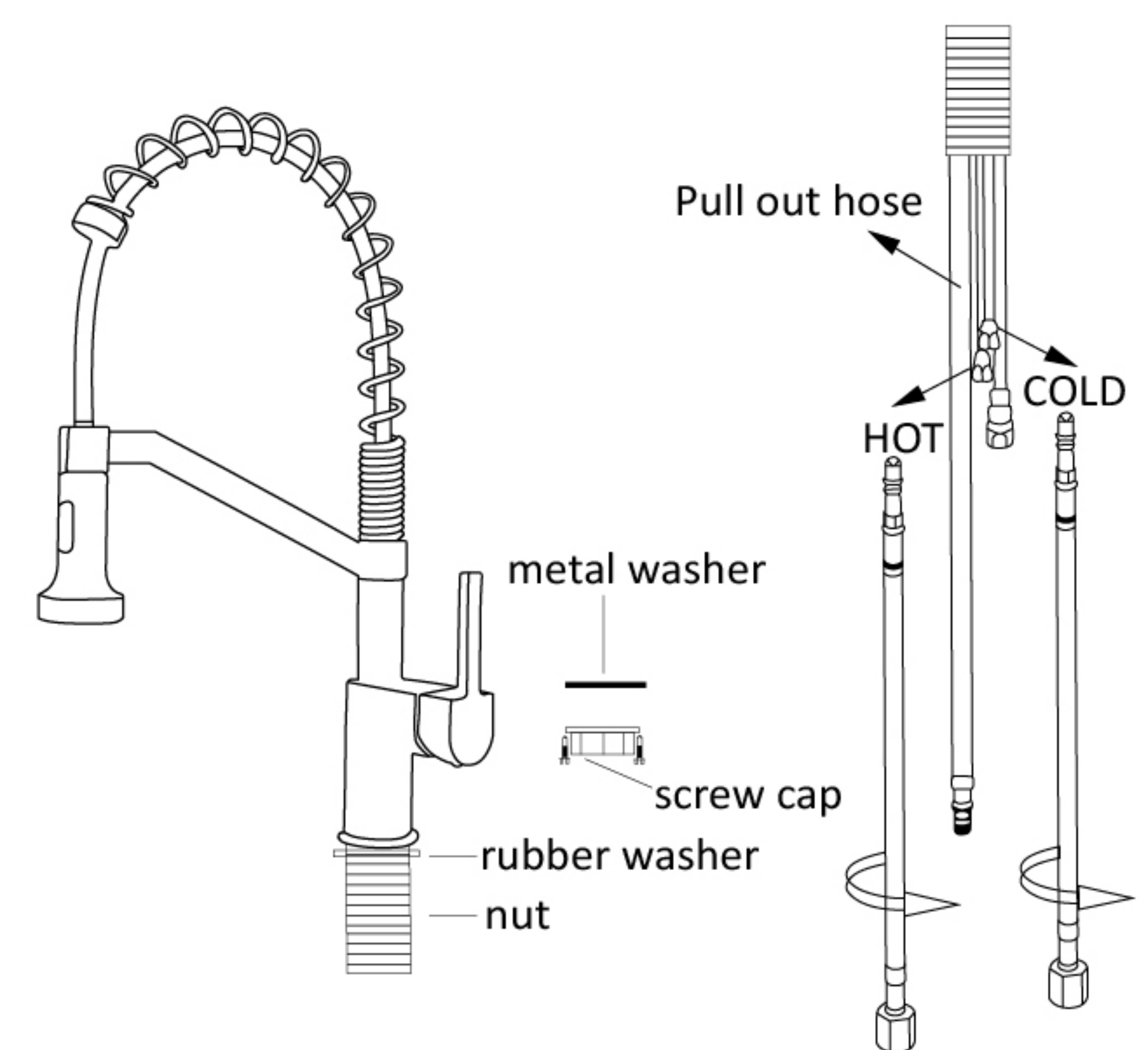


- ① faucet
- ② rubber washer X2
- ③ rubber washer
- ④ nut
- ⑤ screw cap
- ⑥ hoses
- ⑦ gravity ball

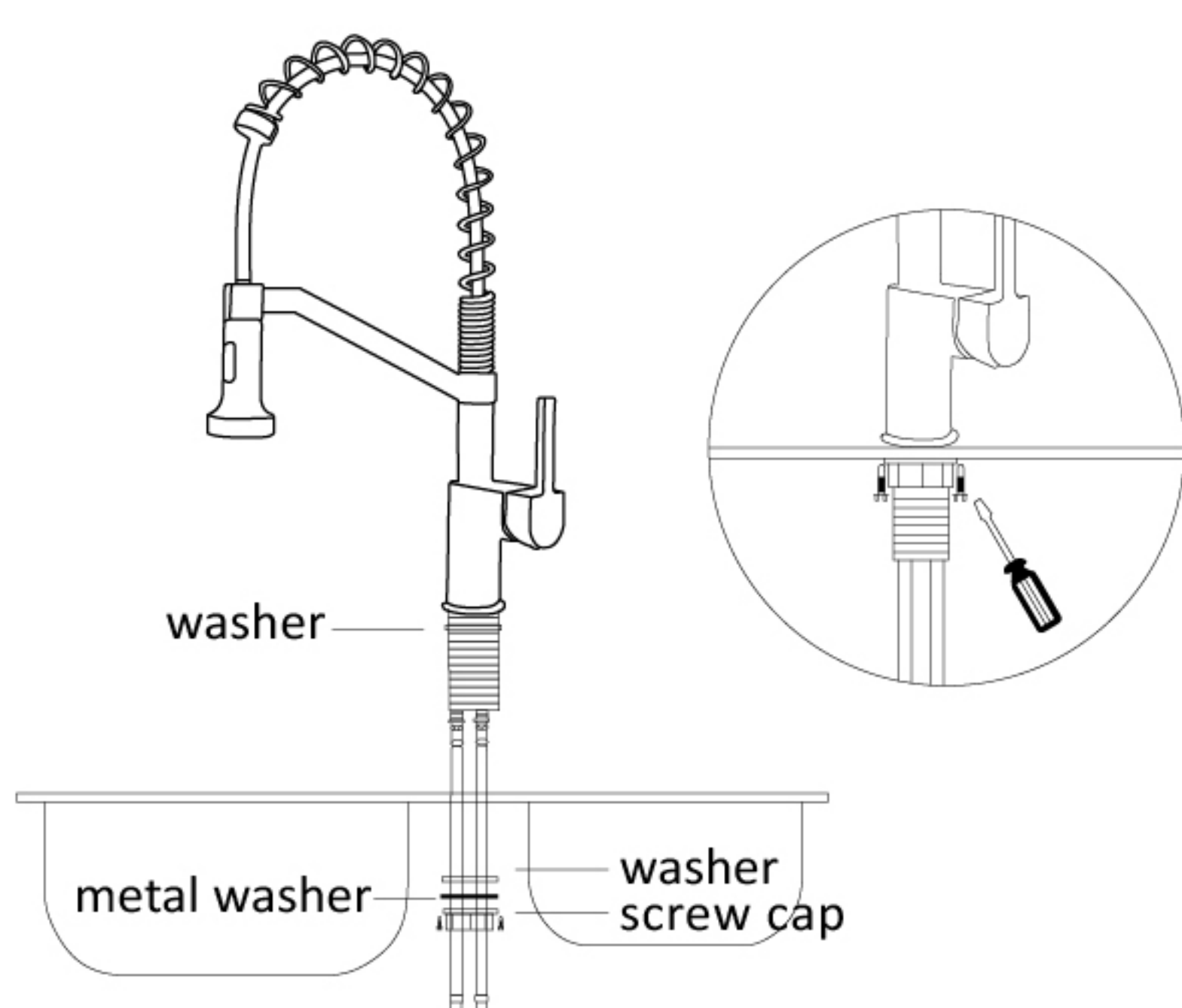
#### ② Get through installation hole



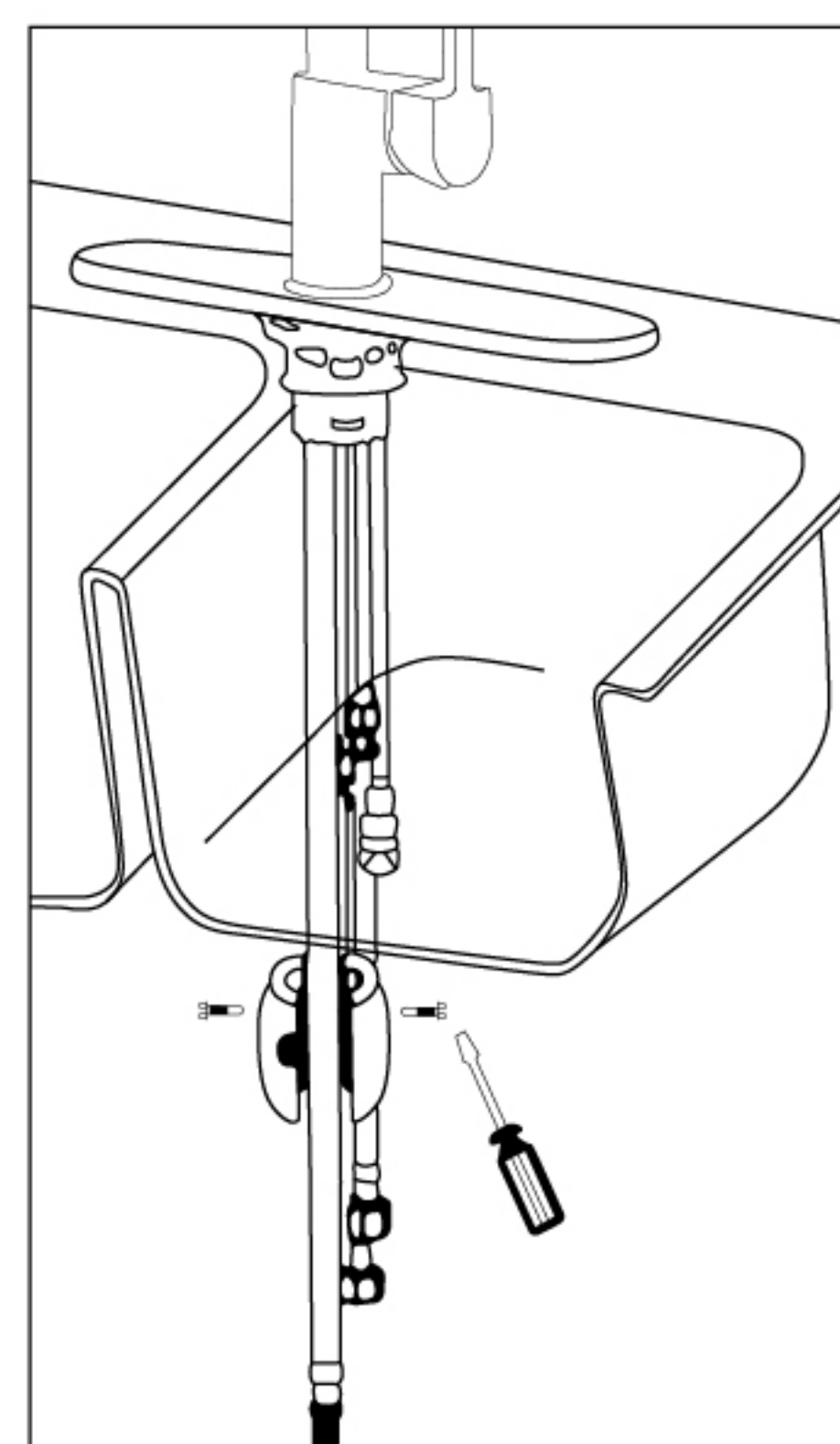
#### ③ Connect the nut to base of faucet



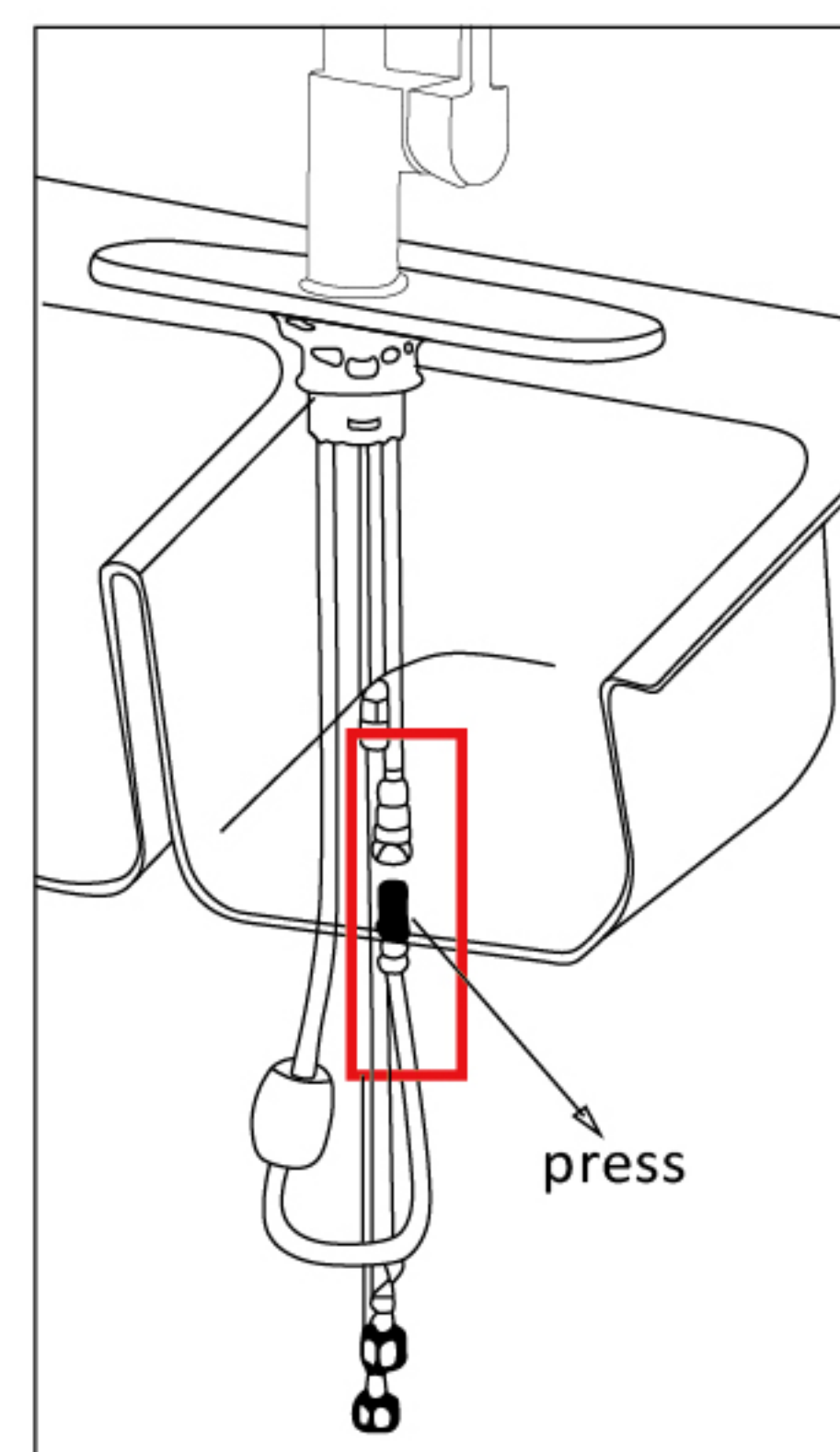
#### ④ Tighten hose to faucet by hand Tighten the 2 small screws with a screwdriver



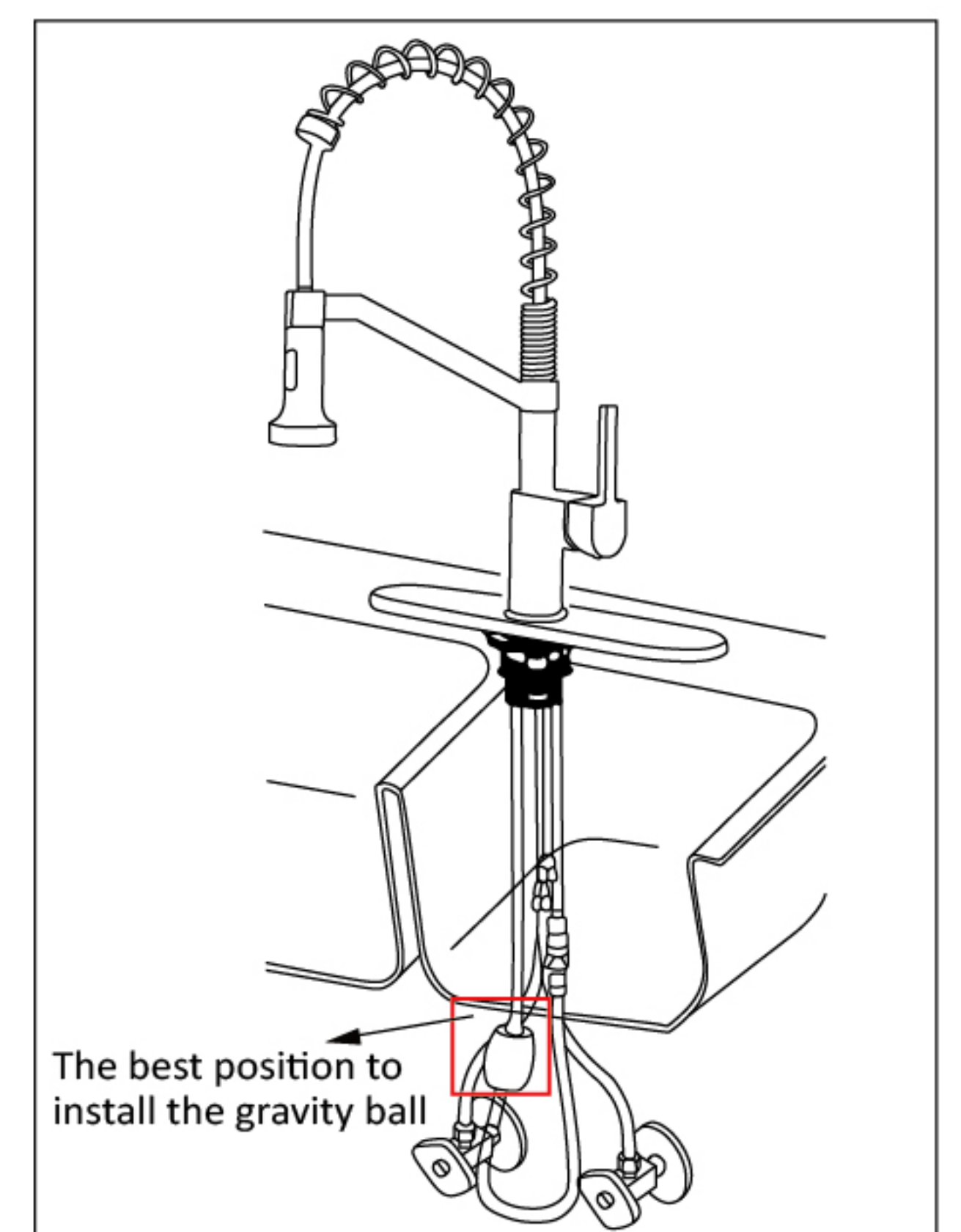
#### ⑤ Separation the gravity ball with screwdriver Fix the gravity ball on the pull out hose



#### ⑥ Press and hold the small button Insert the pull hose into the connector



#### ⑦ The installation is complete



If you need installation video, you can find it on Amazon's product homepage. Or contact OWOFAN customer service for installation video.