

5

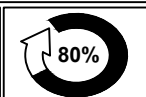
H2×6pcs

H6×1pc

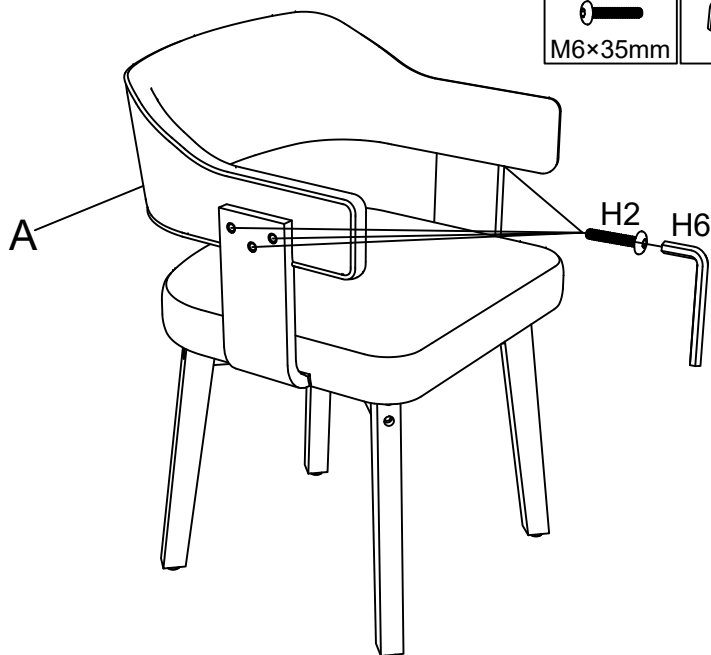


M6×35mm

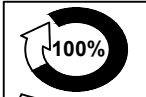
M6



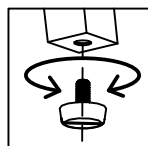
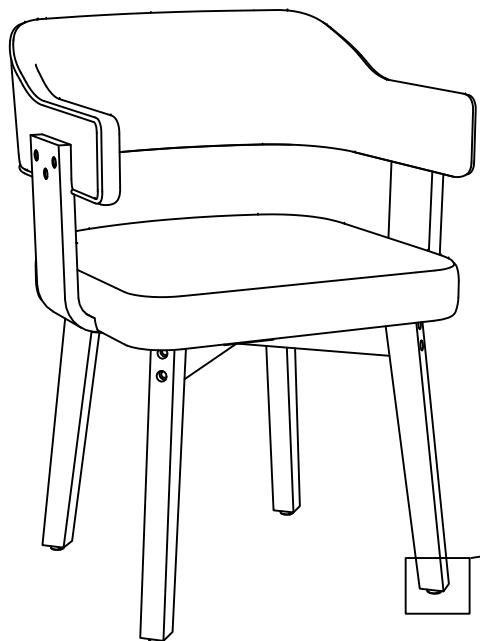
H6



6



H6

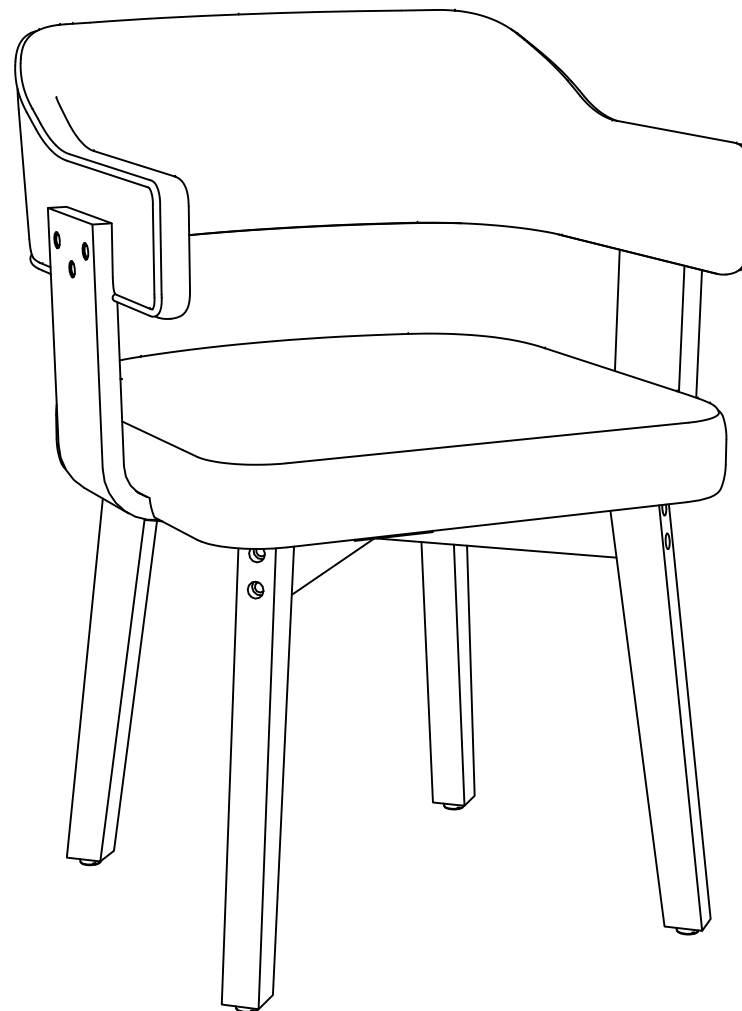


Adjust the glider if the chair is unbalance.

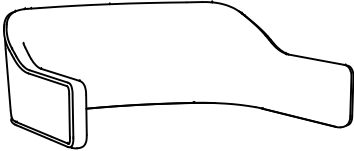
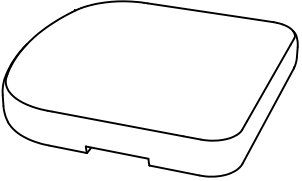
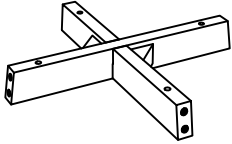
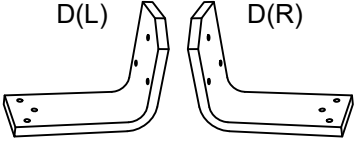
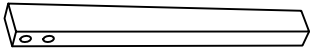
Adjust the chair so that it is leveled, then fully tighten all the bolts & screws.

ASSEMBLY INSTRUCTION






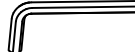
Dining chair
TN-10075



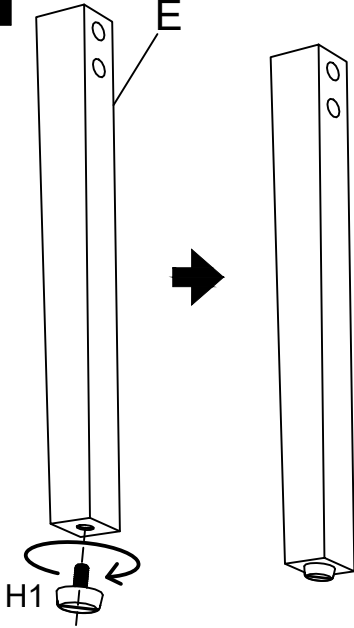
Component List

LABEL		DESCRIPTION	QTY
A		Back	1
B		Seat	1
C		Seat frame	1
D		Wood arm	2
E		Leg	4

Hardware List

LABEL		DESCRIPTION	QTY
H1		Adjust gliders	4
H2		Bolts M6×35mm	6
H3		Bolts M6×40mm	6
H4		Bolts M6×50mm	8
H5		Bolts M6×75mm	4
H6		Allen key M6	1

1




H1

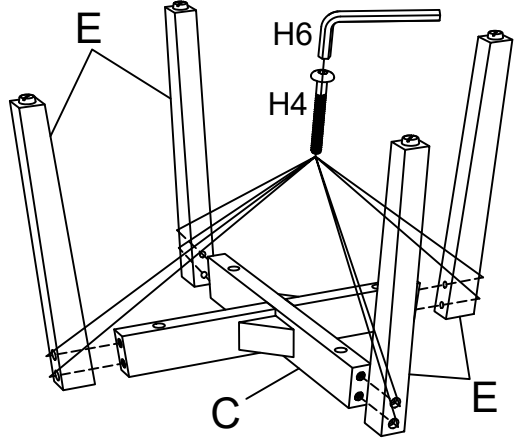
2

H4×8pcs
M6×50mm

H6×1pc
M6



H6




E, H6, H4, C, E

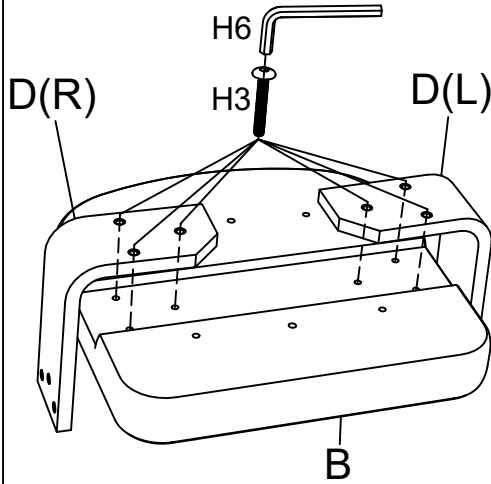
3

H3×6pcs
M6×40mm

H6×1pc
M6



H6




D(R), H6, H3, D(L), B

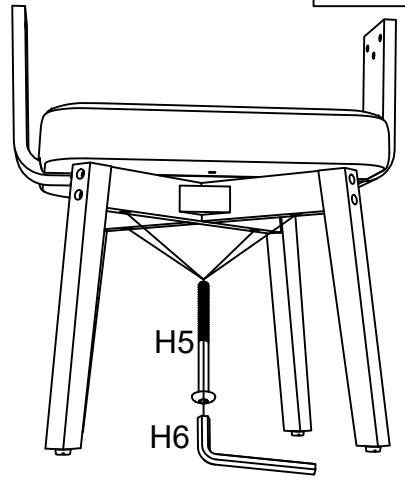
4

H5×4pcs
M6×75mm

H6×1pc
M6



H6



H5, H6