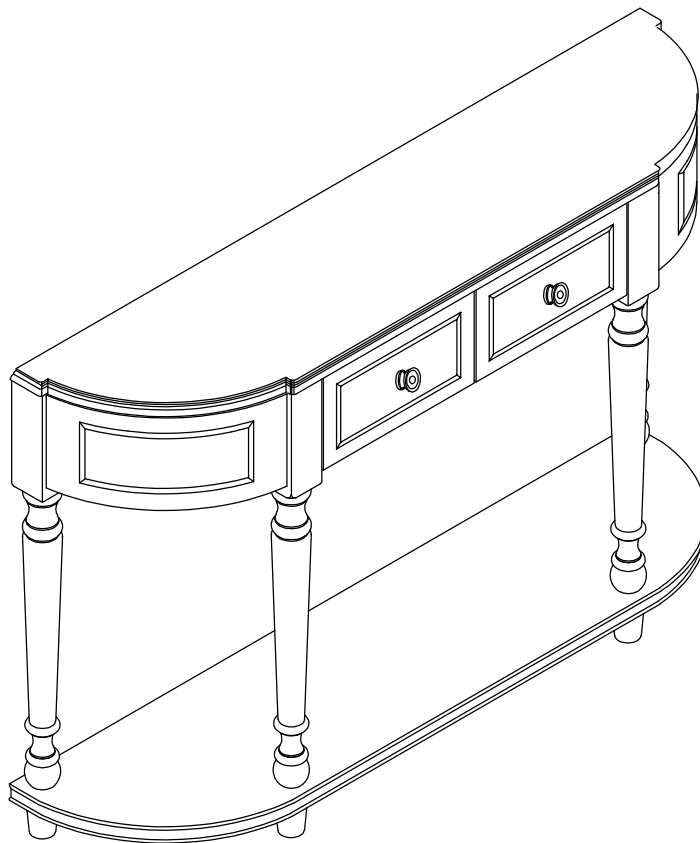


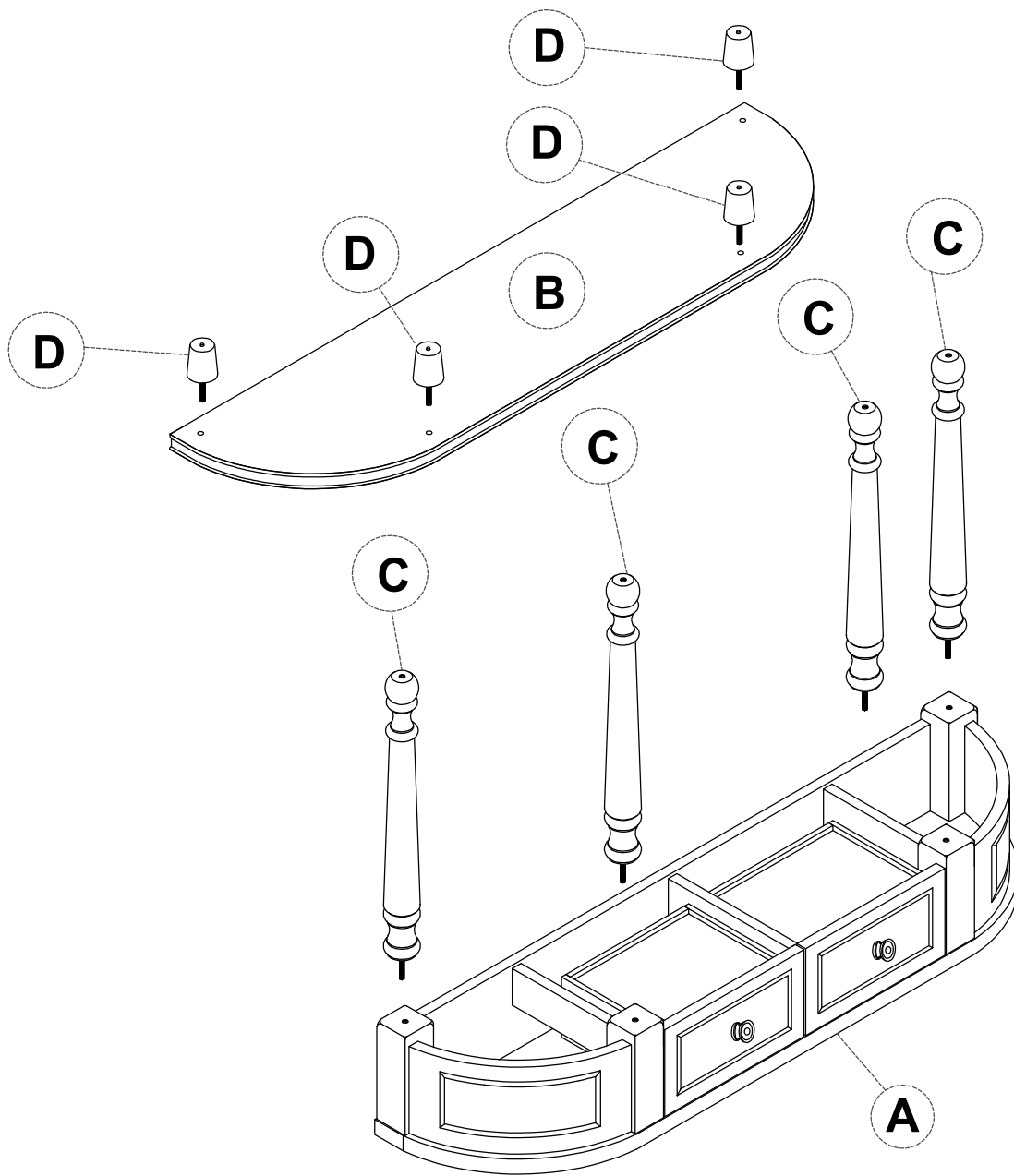
ASSEMBLY INSTRUCCIONES

CONSOLE TABLE

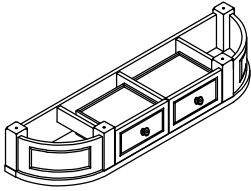
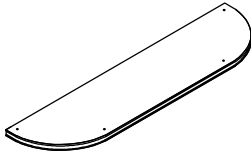




IMPORTANT NOTE:

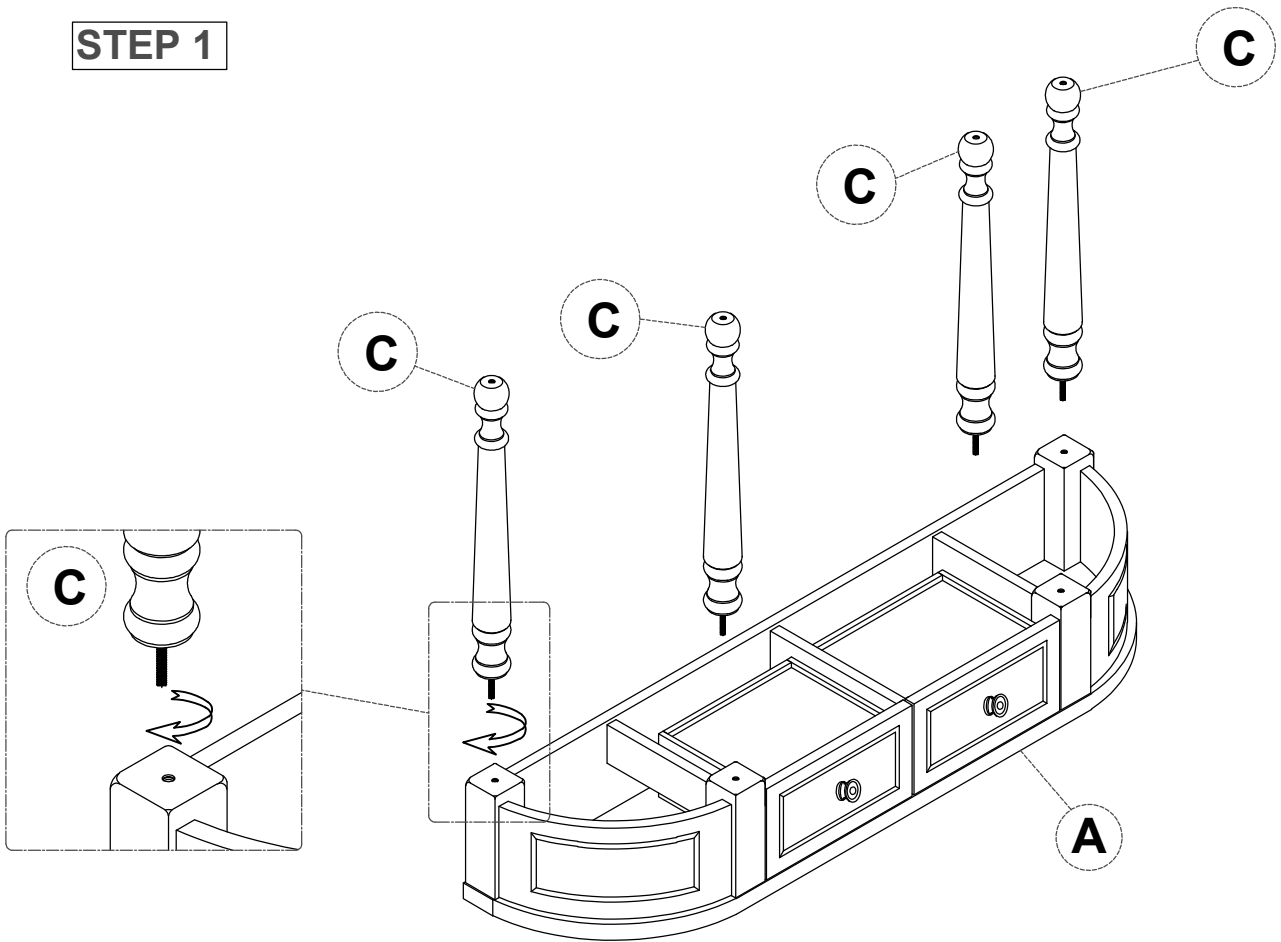
- ① PLACE ALL PARTS ON A CLEAN AND SMOOTH SURFACE SUCH AS A RUG OR CARPET TO AVOID THE PARTS FROM BEING SCRATCHED.
- ② BEFORE YOU BEGIN, KINDLY FOLLOW THE ASSEMBLY INSTRUCTIONS STEP BY STEP.
- ③ DO NOT TIGHTEN ALL SCREWS AND BOLTS UNTIL THE TABLE IS FULLY SET-UP



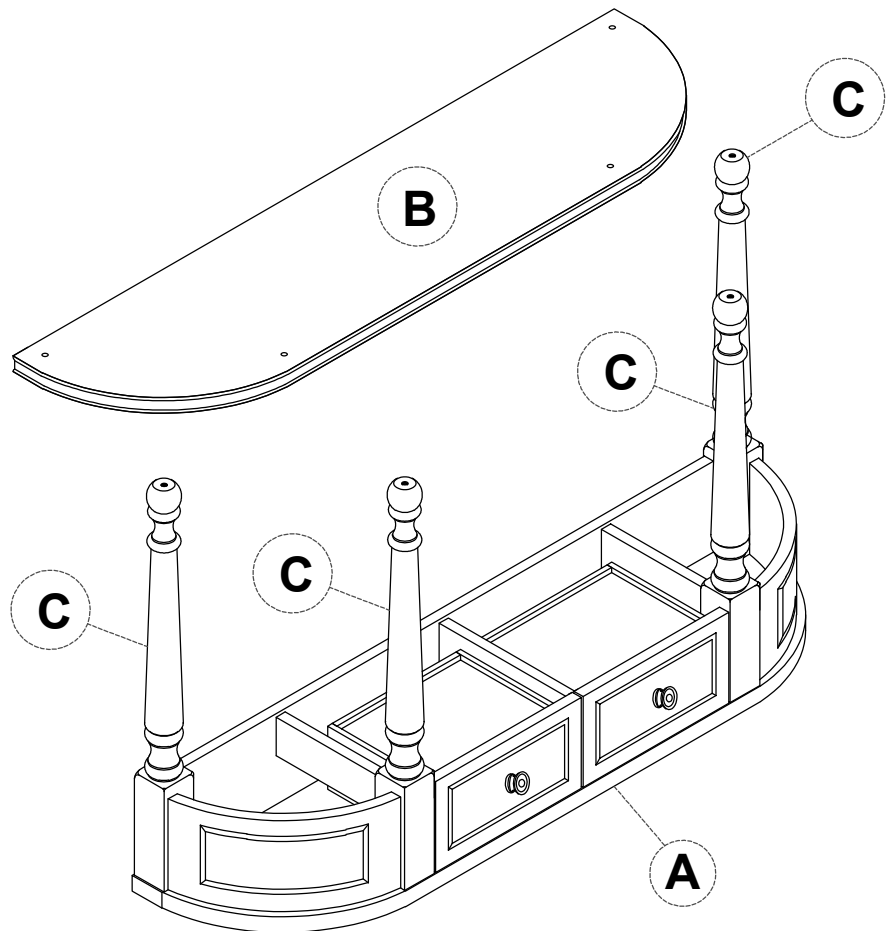
Part List For One

No	Parts Desc.	Q'ty
A	TOP PANEL 	1pcs
B	SHELF 	1pcs
C	MIDDLE LEGS 	4pcs
D	BOTTOM LEGS 	4pcs

STEP 1



STEP 2



STEP 3

