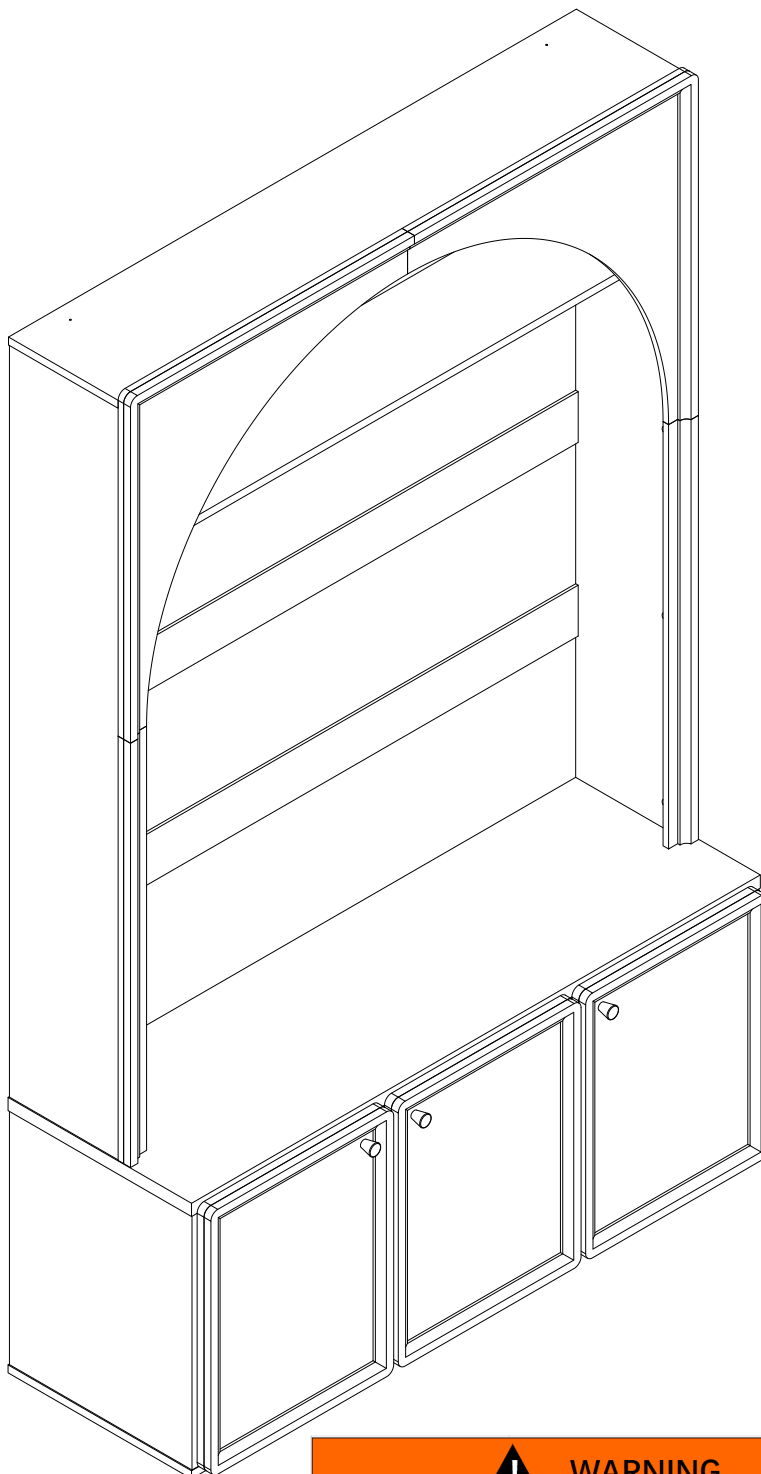


Hall Tree

Assembly Instructions - Please keep for future reference



Dimensions

Width-48.82inch
Depth-15.75inch
Height-77.56inch



WARNING



This product is NOT a Clothing Storage Unit (CSU).
DO NOT use it for clothing storage.
Improper use may cause furniture tipover.

Important - Please read these instructions fully before starting assembly



Safety and Care Advice

Important – Please read these instructions fully before starting assembly

- Check you have all the components and tools listed on the following pages.
- Remove all fittings from the plastic bags and separate them into their groups.
- Keep children and animals away from the work area, small parts could choke if swallowed.
- Make sure you have enough space to layout the parts before starting.

- During assembly do not stand or put weight on the product, this could cause damage.
- Assemble the item as close to its final position (in the same room) as possible.
- Assemble on a soft level surface to avoid damaging the unit or your floor.
- Parts of the assembly will be easier with 2 people.



power drill is set on a low torque setting.

- To reduce the likelihood of damaging your product please ensure that your

Care and maintenance

- Only clean using a damp cloth and mild detergent, do not use bleach or abrasive cleaners.

- From time to time check that there are no loose screws on this unit.

- This product should not be discarded with household waste. Take to your local authority waste disposal centre.

Handy Hints

- Assemble all parts and bolts loosely during assembly, only once the product is complete should you fully tighten the bolts

- Regularly check and ensure That all bolts and fittings are tightened properly.

WARNING
In order to help prevent overturning –
please follow these instructions

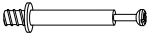


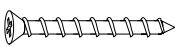
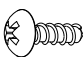



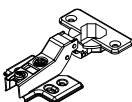
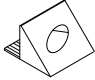
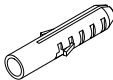



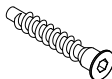
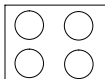
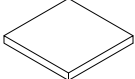


To help prevent product toppling over please follow the below steps:-

- Use the anti tip stap or wall fixing method provided (if applicable)
- Do not allow children to climb or hang on the furniture
- Do not open more than one drawer at a time
- Do not place heavy items in the top drawers
- Do not place heavy items on top of the furniture, unless the furniture has been designed for this purpose

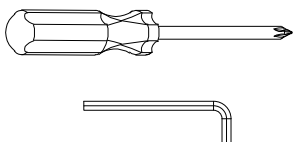
Components-Fittings

Please check you have all the panels listed below

Note: The quantities below are the correct amount to complete the assembly. In some cases more fittings may be supplied than are required.

<p>Ⓐ</p>  <p>6*35mm Cam Bolt x 42</p>	<p>Ⓑ</p>  <p>15*9mm Cam Lock x 42</p>	<p>Ⓒ</p>  <p>8*30mm Dowel x 36</p>	<p>Ⓓ</p>  <p>4*40mm Screw x 2</p>
<p>Ⓔ</p>  <p>3.5*14mm Screw x 2</p>	<p>Ⓕ</p>  <p>Metal handle x 3</p>	<p>Ⓖ</p>  <p>Anti-tip iron sheet x 2</p>	<p>Ⓗ</p>  <p>3.5*14mm Screw x 72</p>
<p>Ⓘ</p>  <p>Hinge x 6</p>	<p>Ⓙ</p>  <p>Back plate buckle x 28</p>	<p>Ⓚ</p>  <p>Expansion plastic x 2</p>	<p>Ⓛ</p>  <p>Link x 4</p>
<p>Ⓜ</p>  <p>Shelf bracket x 12</p>	<p>Ⓝ</p>  <p>4*16mm Screw x 3</p>	<p>Ⓞ</p>  <p>7*40mm Screw x 15</p>	<p>Ⓟ</p>  <p>Hole to stick x 42</p>
<p>Ⓠ</p>  <p>Foot felt x 8</p>	<p>Ⓡ</p>  <p>Allen key x 1</p>	<p>Ⓢ</p>  <p>Phillips screwdriver x 1</p>	

Tools required



Phillips screwdriver
or Allen wrench

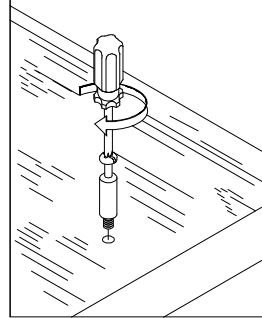
Using Camlocks

Step 1

Connect the male camlock as directed in the assembly instructions using a screwdriver.

1

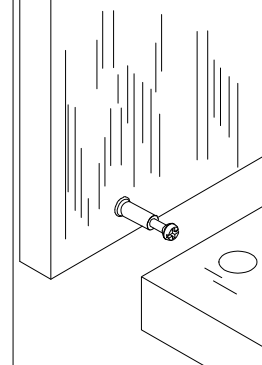
DO NOT OVER TIGHTEN.
NE PAS SERRER EXCESSIVEMENT.



Step 2

Push the male camlock into the entry hole.

2

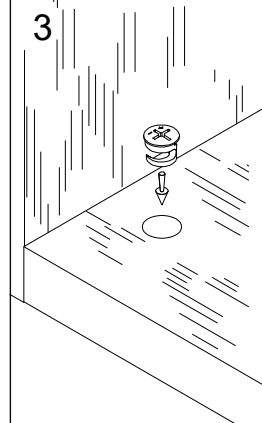


Step 3

Insert the female camlock as shown in the instruction.

Note: ensure that the arrow on the top of the camlock points towards the entry hole for the male camlock.

3



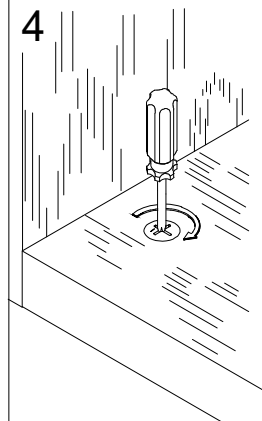
Step 4

Turn the female camlock clockwise with a screwdriver.

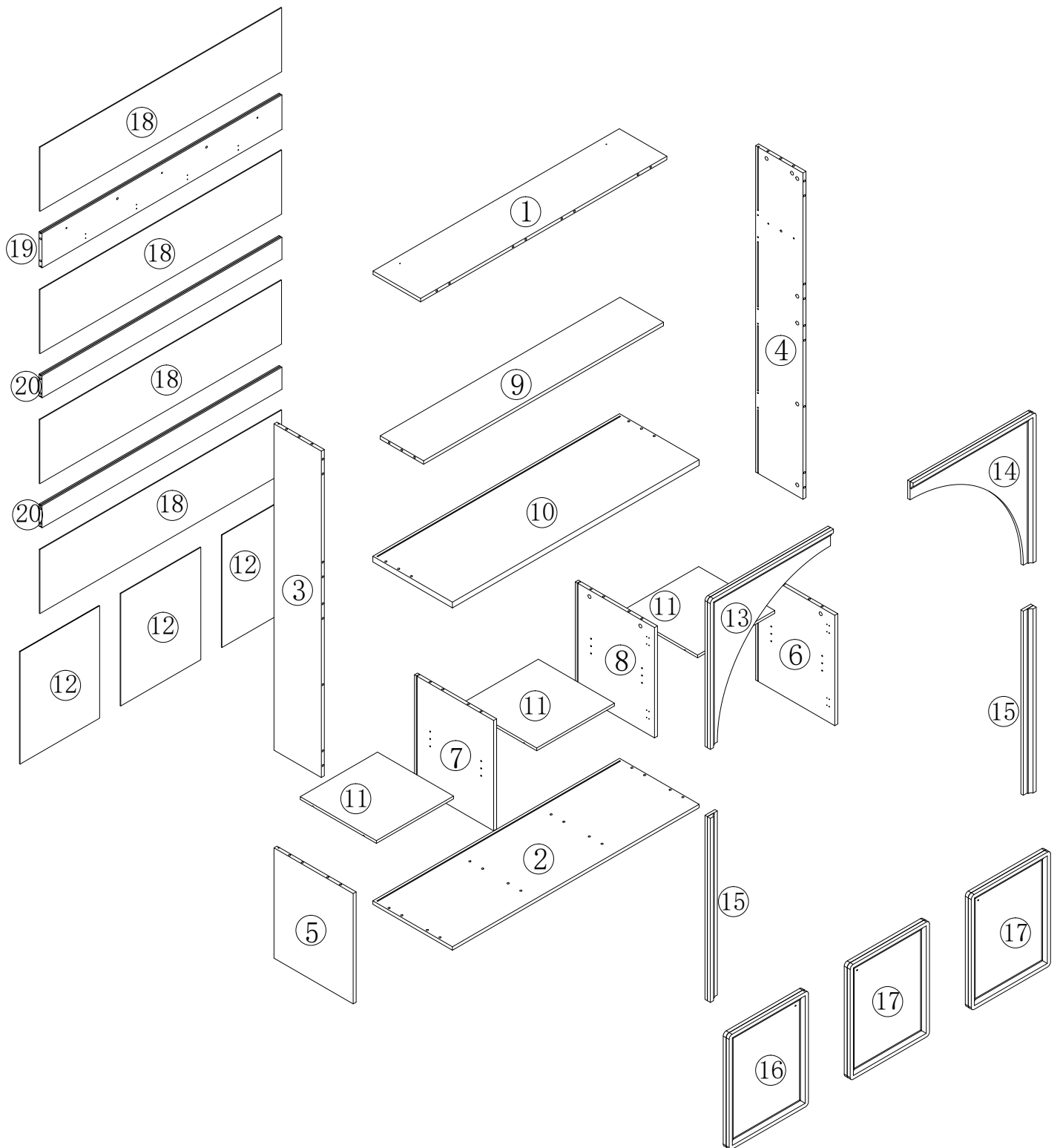
You should feel a click when the camlock is locked in place.

The joint is now secure.

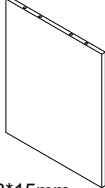
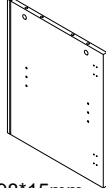
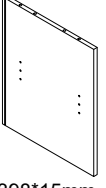
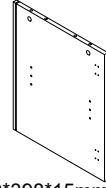
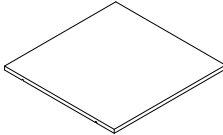
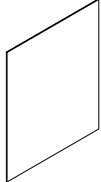
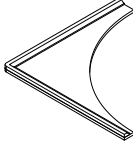

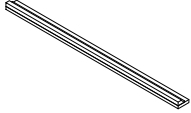
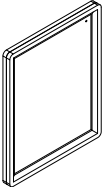
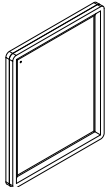
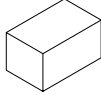
4

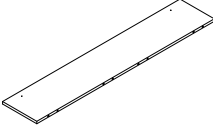
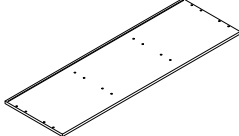


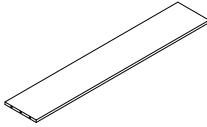
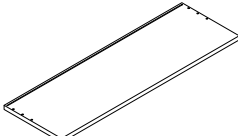
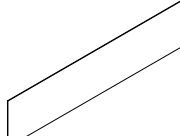
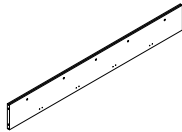
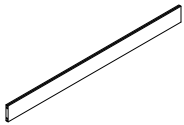


Assembly Instructions



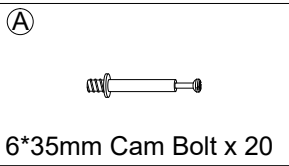
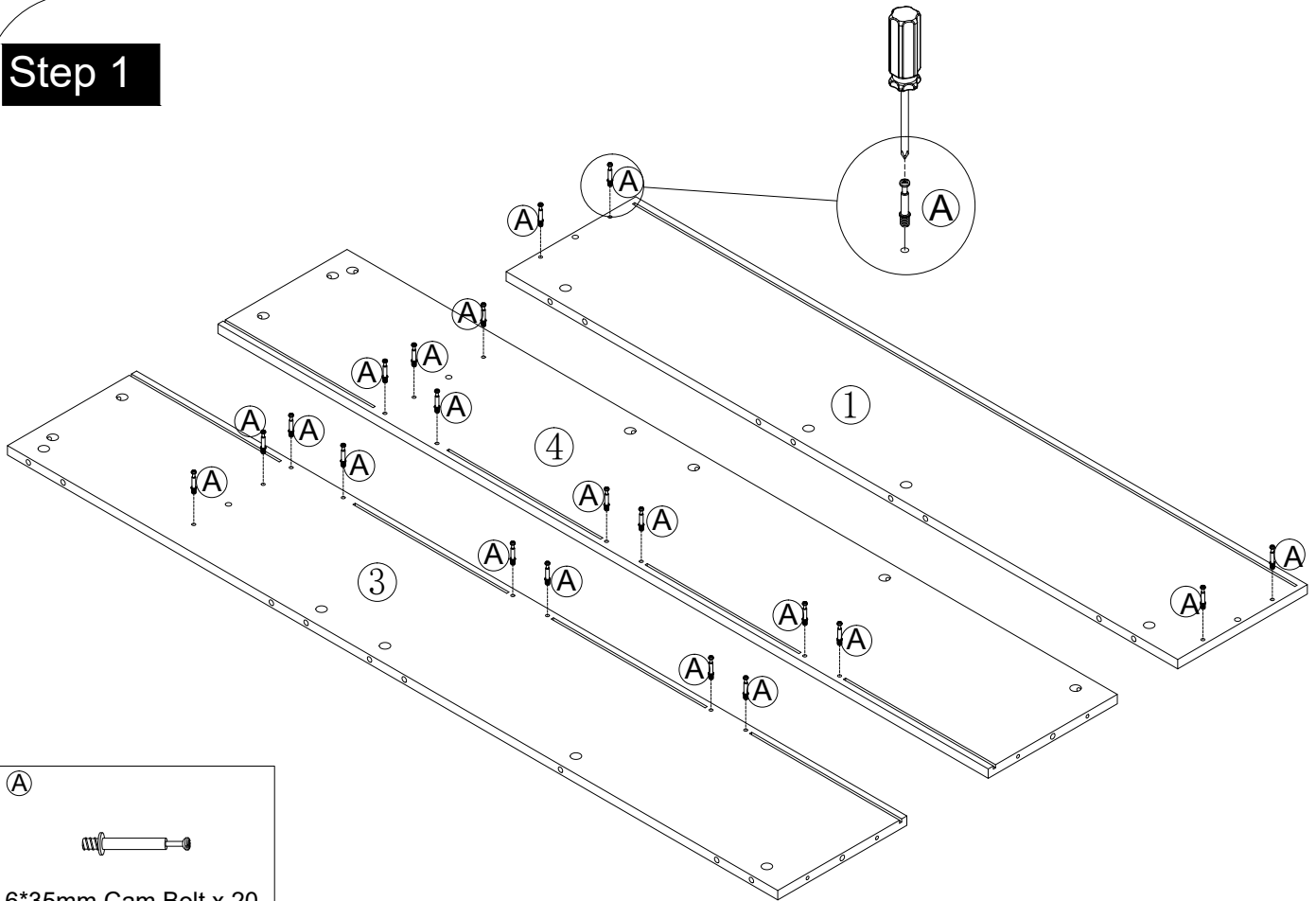
Assembly Instructions

 480*398*15mm ⑤ X1	 480*398*15mm ⑥ X1	 480*398*15mm ⑦ X1	 480*398*15mm ⑧ X1
 390*382.5*12mm ⑪ X3	 489*400*3mm ⑫ X3	 649*619*27mm ⑬ X1	 649*619*27mm ⑭ X1
 801*50*27mm ⑮ X2	 500*398.5*27mm ⑯ X1	 500*398.5*27mm ⑰ X2	 Hardware kit x1

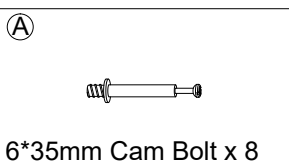
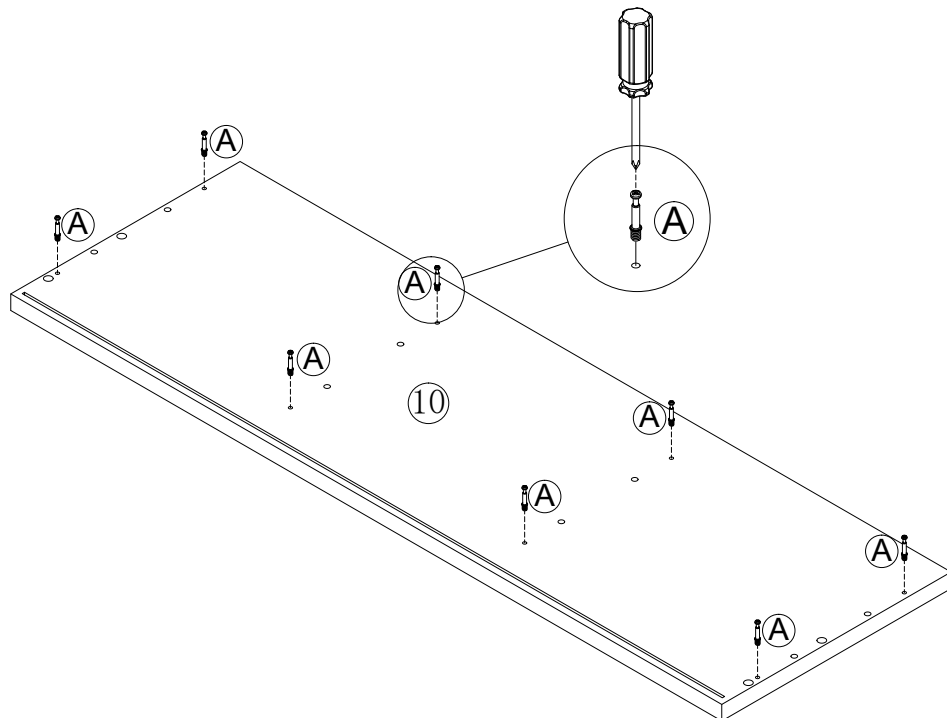
 1238*239*15mm ① X1	 1240*400*15mm ② X1	 1420*238*15mm ③ X1	 1420*238*15mm ④ X1
 1206*218*15mm ⑨ X1	 1240*400*26mm ⑩ X1	 1215*278.5*3mm ⑱ X4	 1206*150*15mm ⑲ X1
 1206*96*15mm ⑳ X2			

Assembly Instructions

Step 1

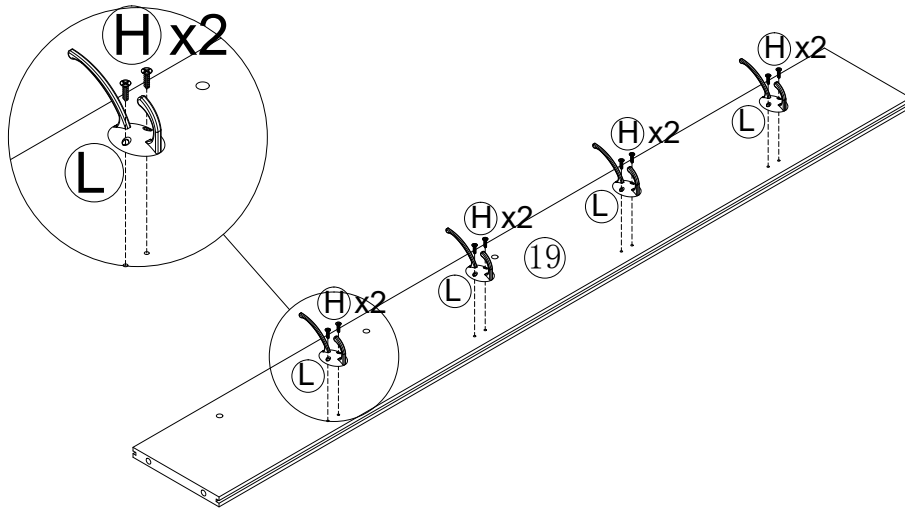



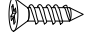
Step 2



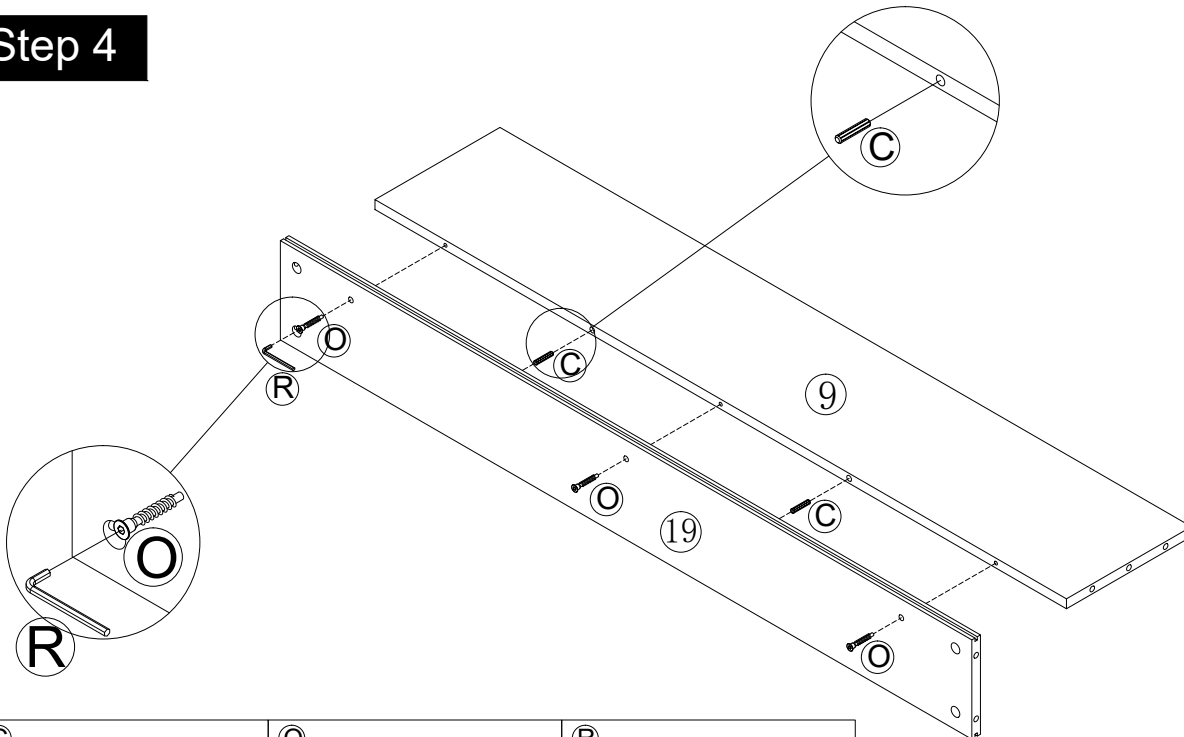
Assembly Instructions


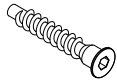

Step 3



<p>(L)</p>  <p>Link x 4</p>	<p>(H)</p>  <p>3.5*14mm Screw x 8</p>
--	--

Step 4



<p>(C)</p>  <p>8*30mm Dowel x 2</p>	<p>(O)</p>  <p>7*40mm Screw x 3</p>	<p>(R)</p>  <p>Allen key x 1</p>
--	--	---

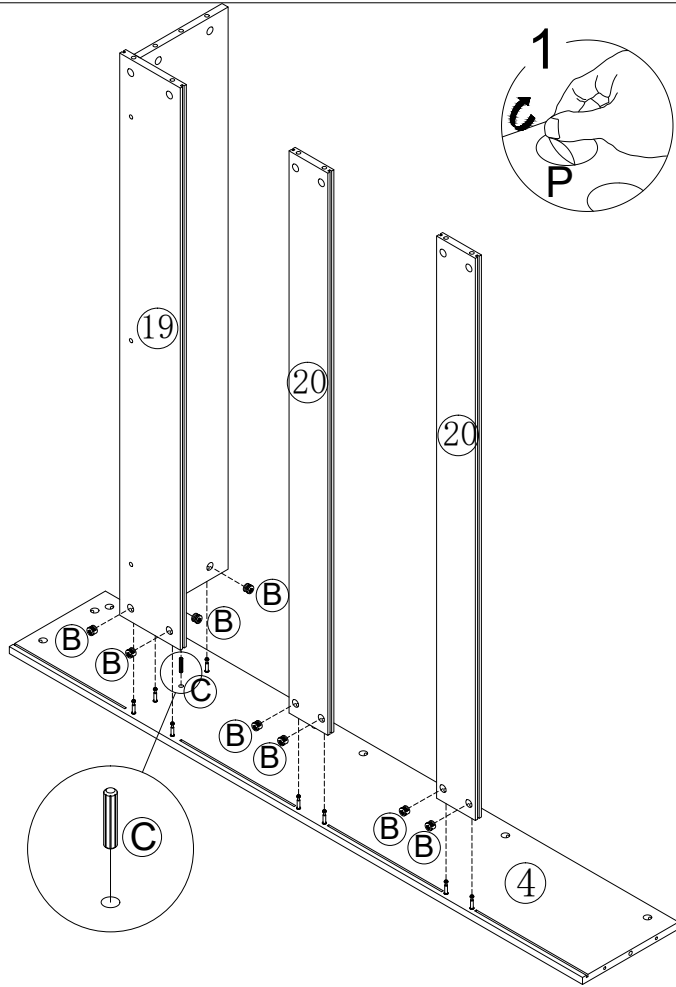
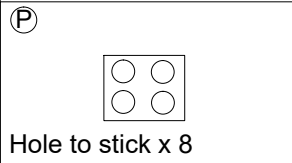
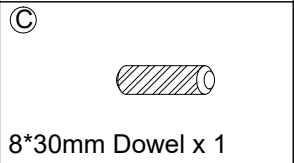
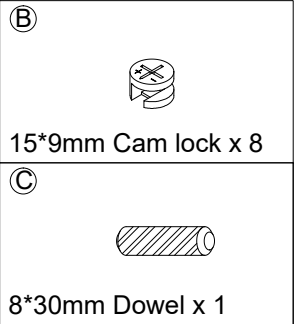
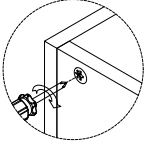
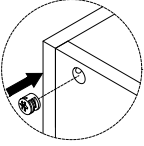
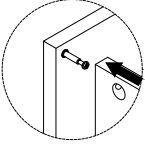
Assembly Instructions

Step 5

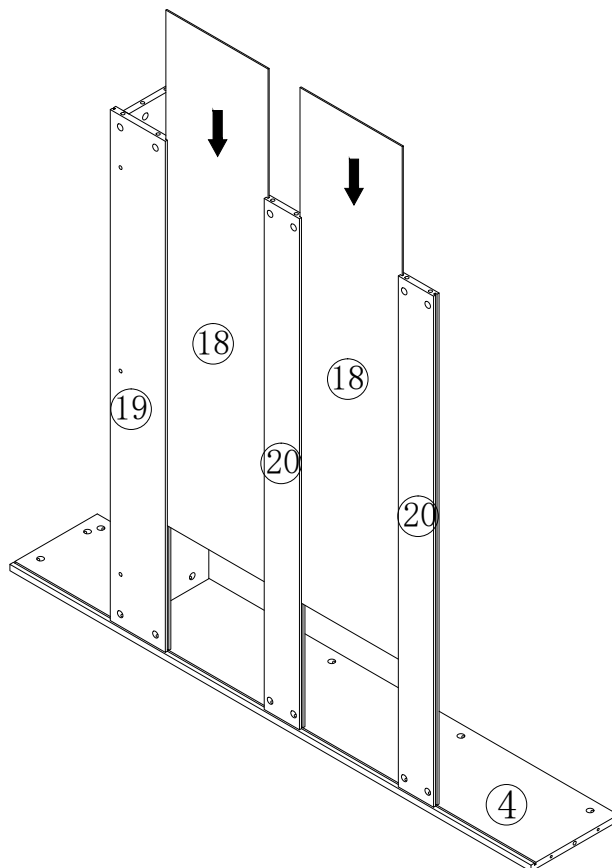
Step 1

Step 2

Step 3



Step 6



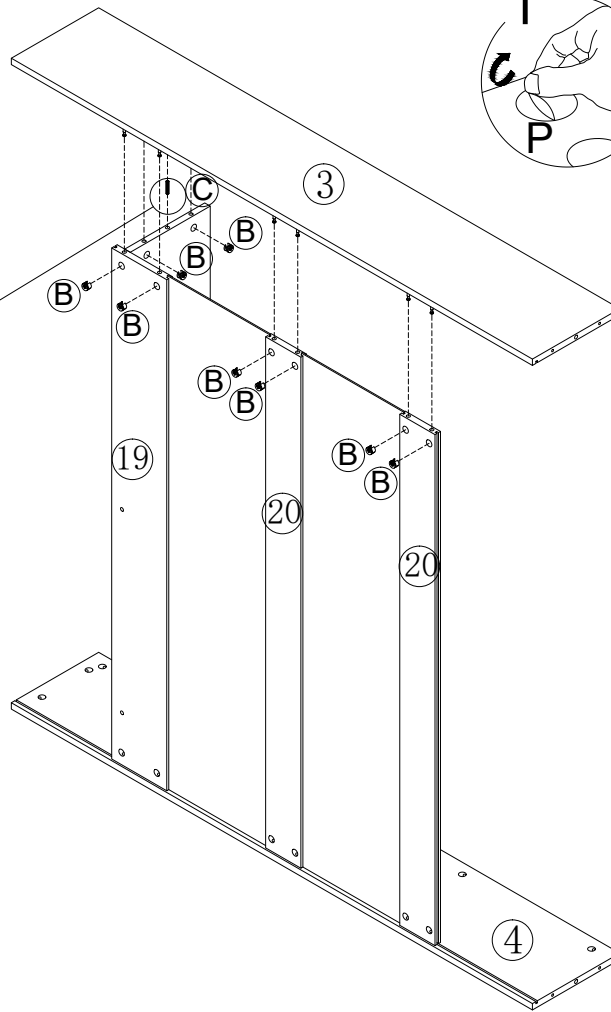
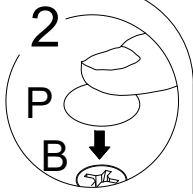
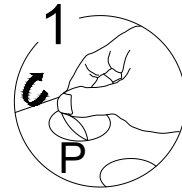
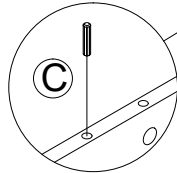
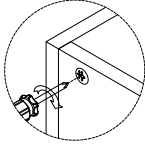
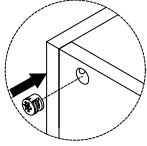
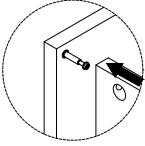
Assembly Instructions

Step 7

Step 1

Step 2

Step 3



(B)



15*9mm Cam lock x 8

(C)



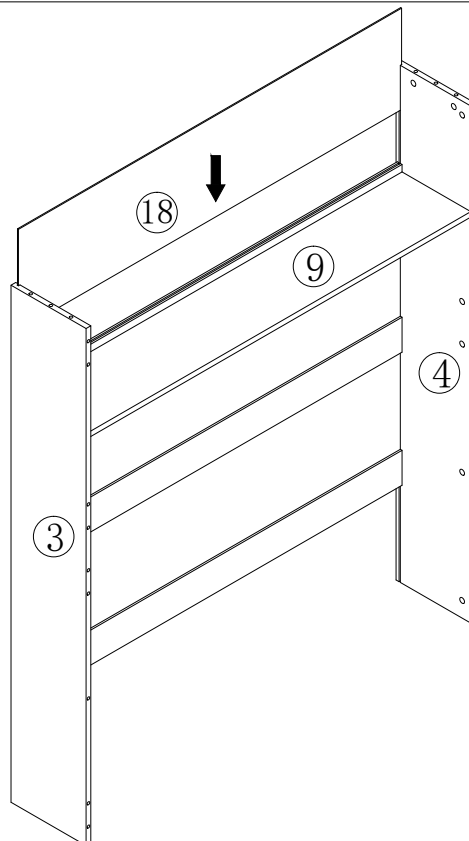
8*30mm Dowel x 1

(P)



Hole to stick x 8

Step 8



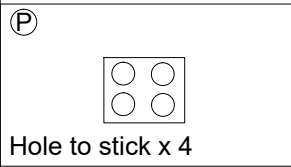
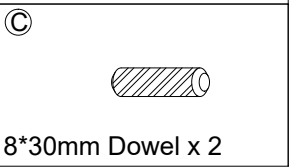
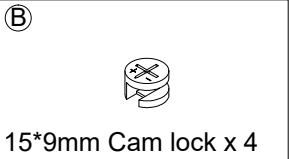
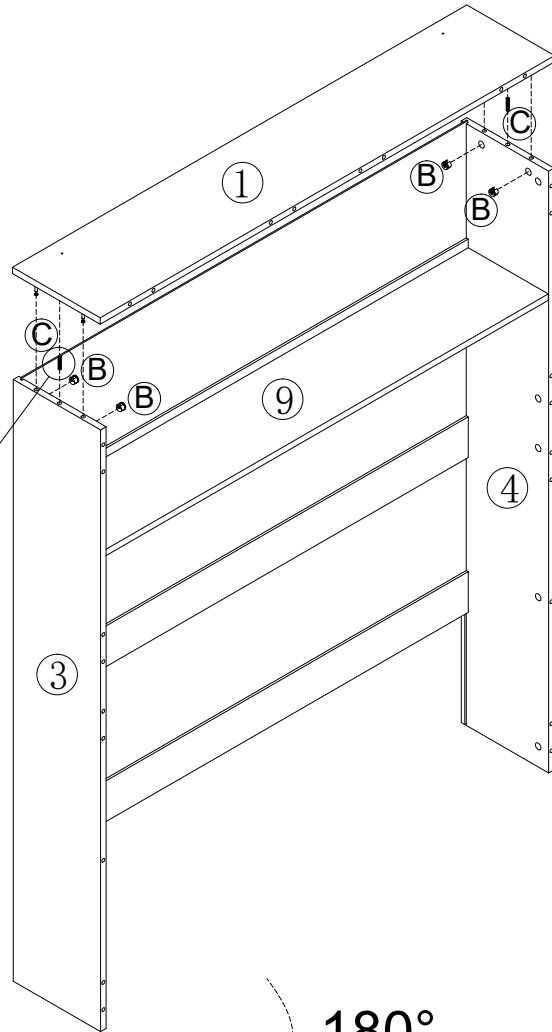
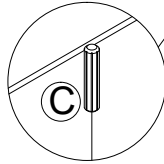
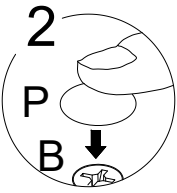
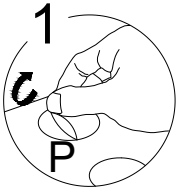
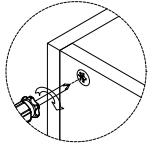
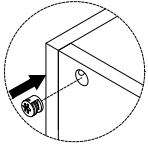
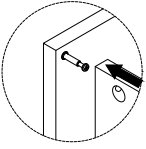
Assembly Instructions

Step 9

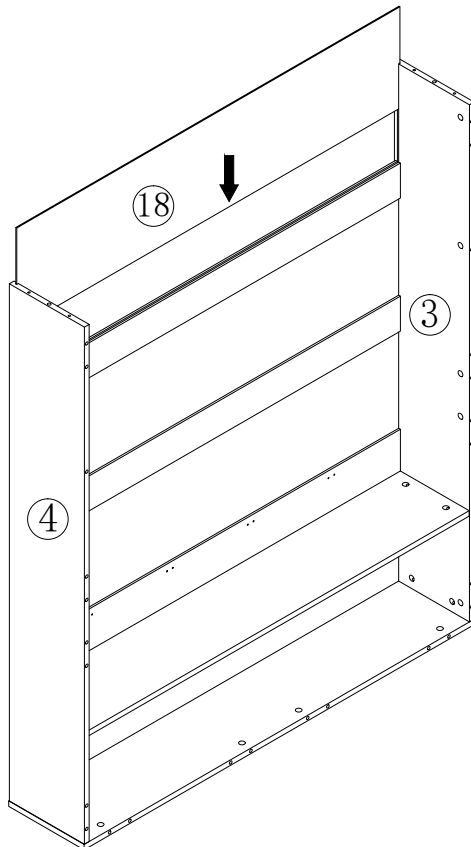
Step 1

Step 2

Step 3



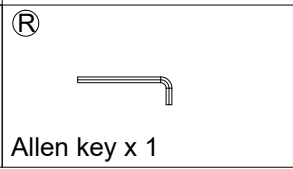
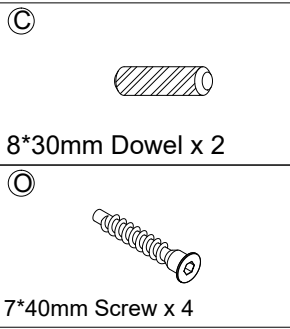
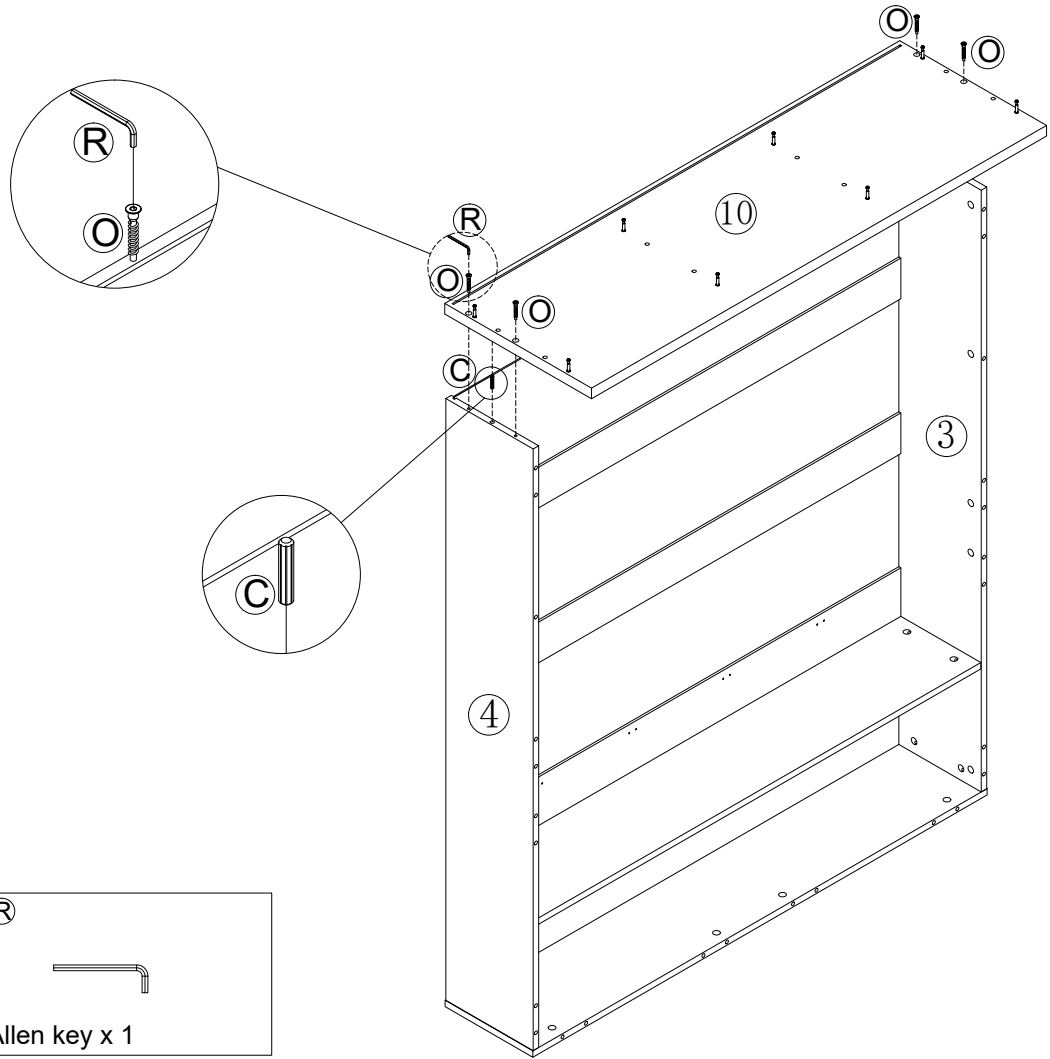
Step 10



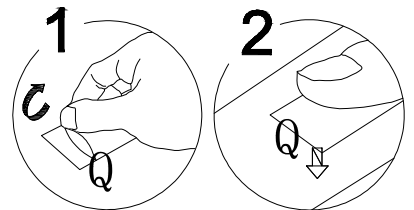
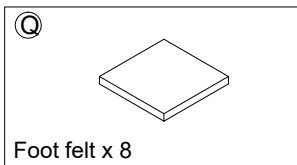
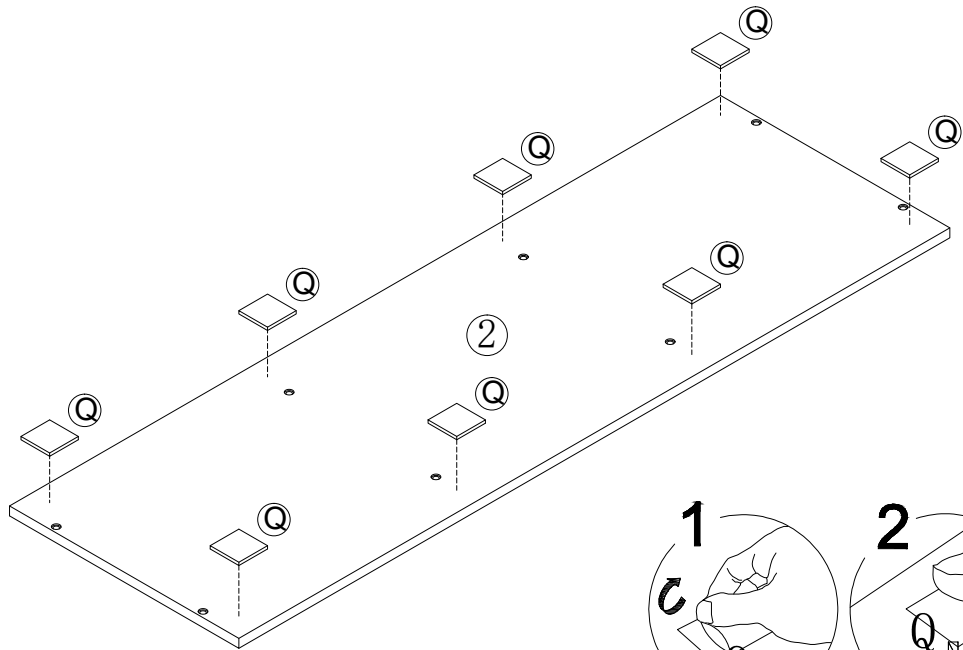
Be careful! At least two people are required

Assembly Instructions

Step 11

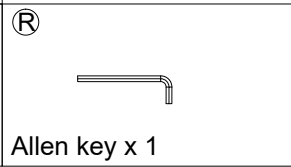
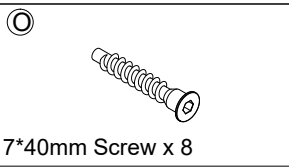
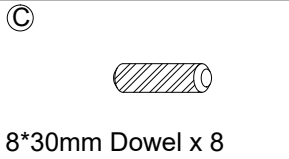
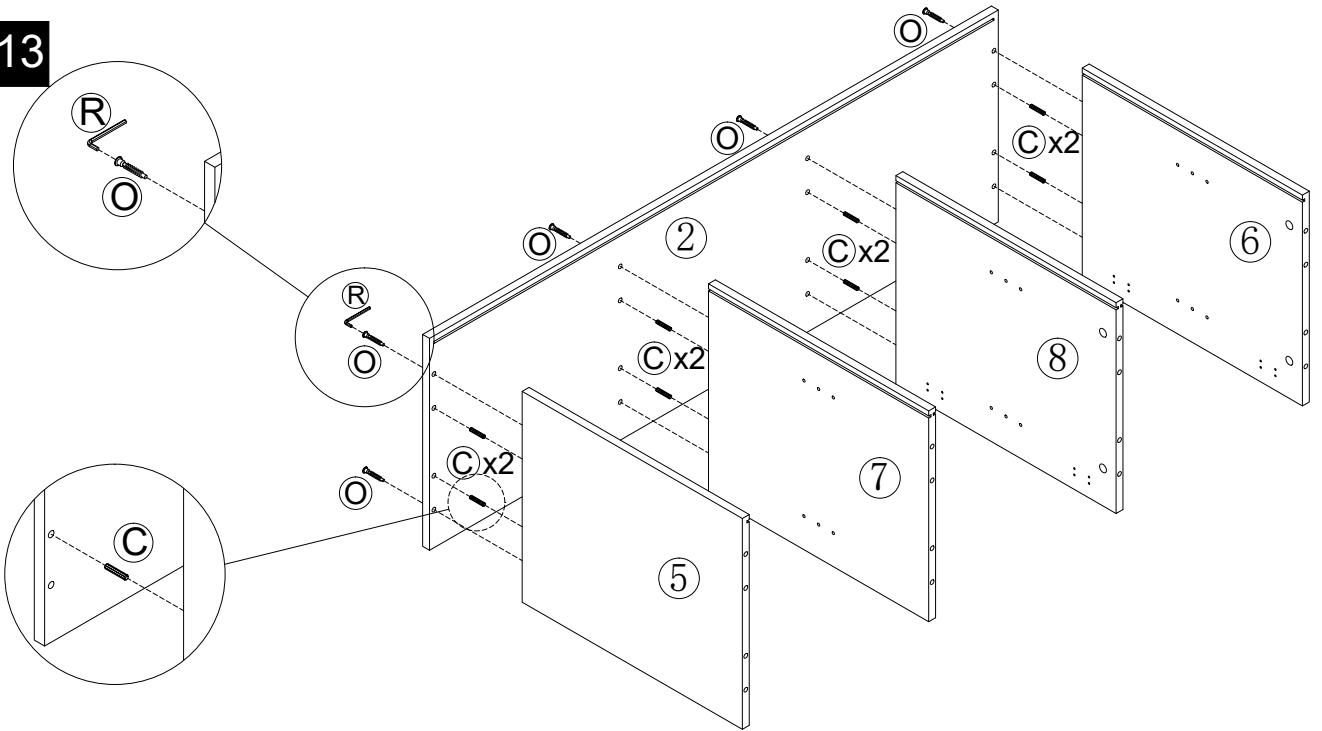


Step 12

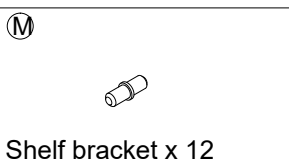
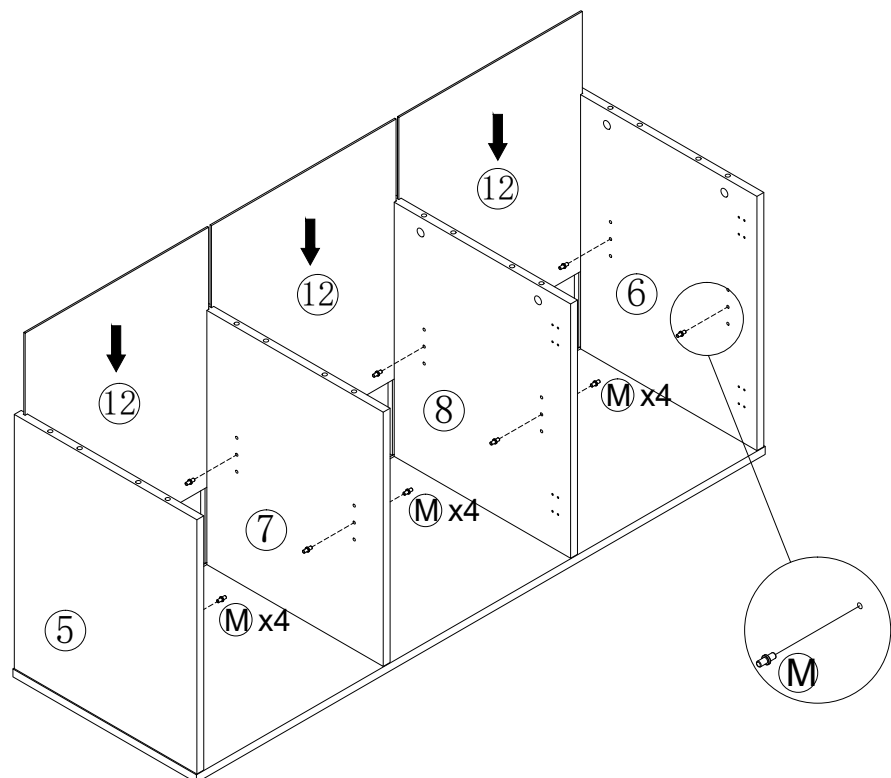


Assembly Instructions

Step 13



Step 14



Assembly Instructions

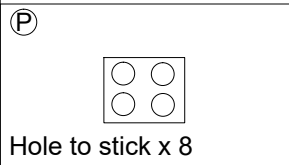
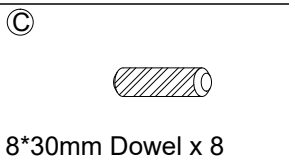
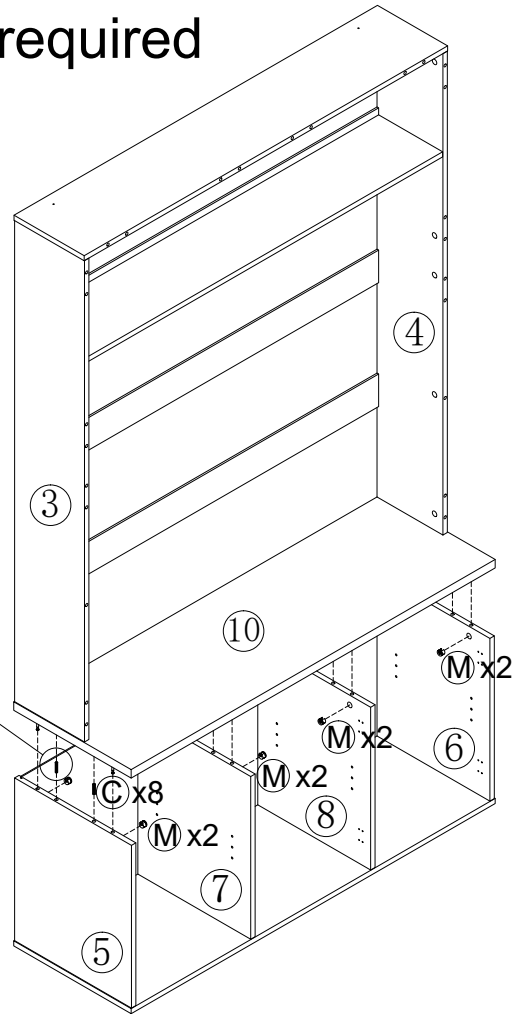
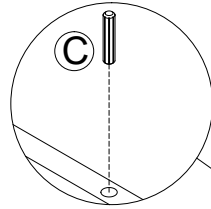
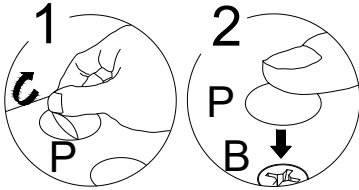
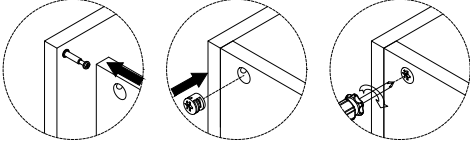
Step 15

Be careful! At least two people are required

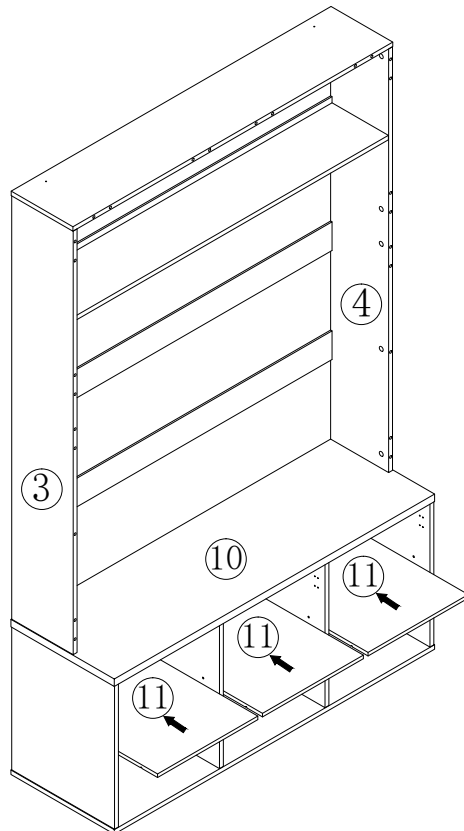
Step 1

Step 2

Step 3

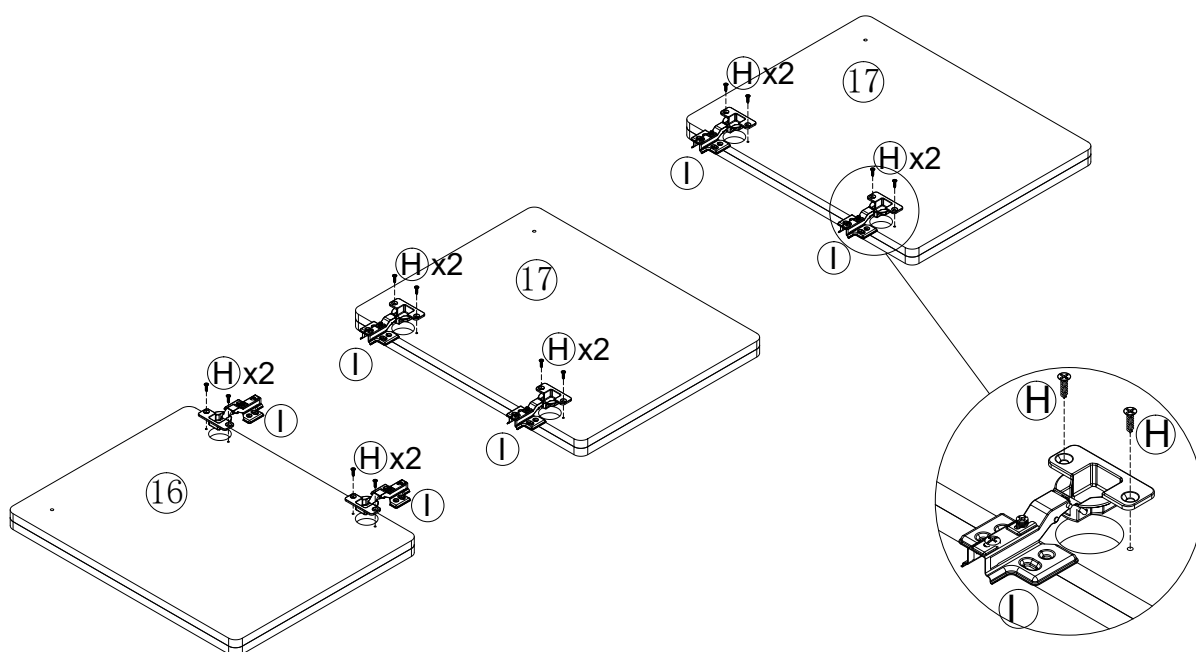


Step 16



Assembly Instructions

Step 17



Ⓜ



3.5*14mm Screw x 12

Ⓜ

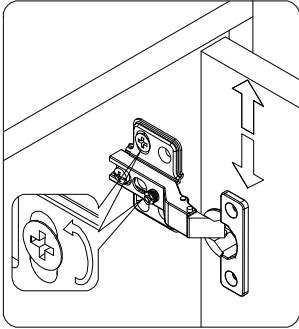


Hinge x 6

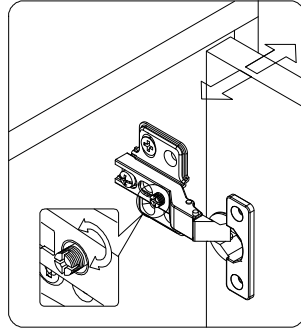
Assembly Instructions

Step 18

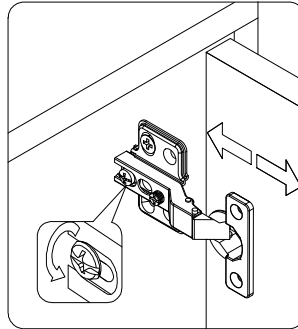
When the hinges are installed, you can refer to the pictures to adjust the screws of the doors till it's perfect



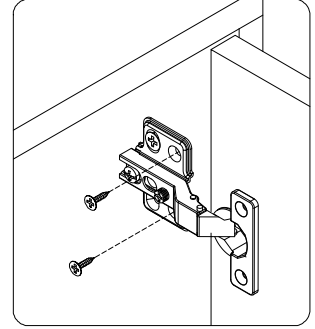
1. Adjust the screws shown in Figure 1 to adjust the door up and down.



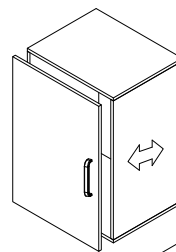
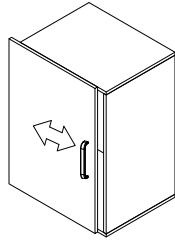
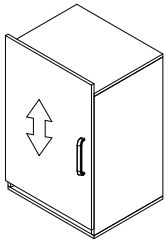
2. Adjust the screws shown in Figure 2 to adjust the door left and right to the right position.



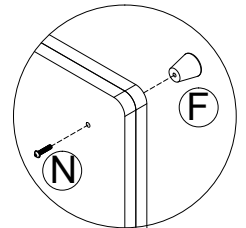
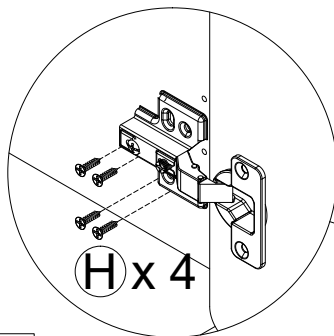
3. Adjust the screws shown in Figure 3 and pull the door back and forth so that it can be opened smoothly.



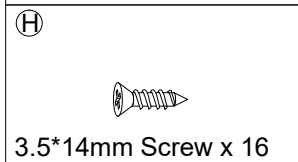
4. After the adjustment is complete, install the remaining two screws to secure the door in place.



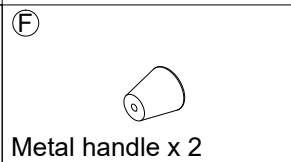
If there is an uneven gap between the door and the cabinet body, the problem can be solved by adjusting the hinge.



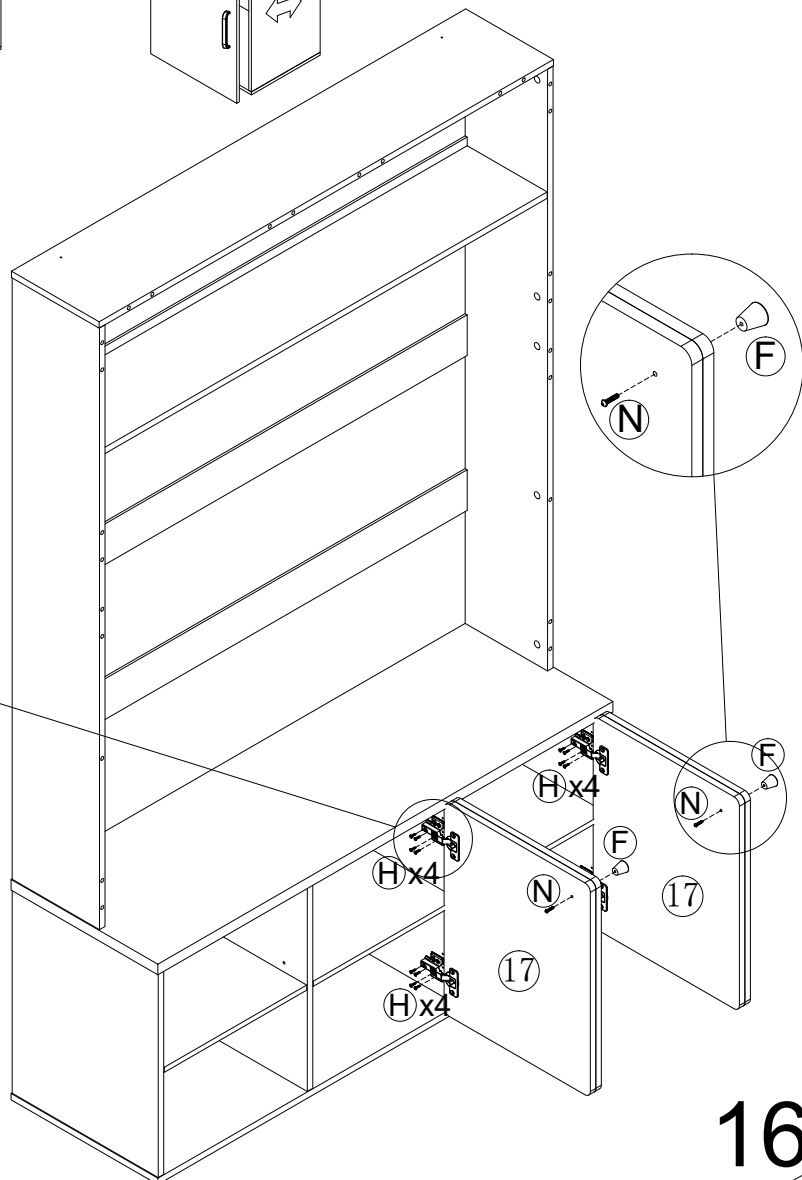
4*16mm Screw x 2



3.5*14mm Screw x 16

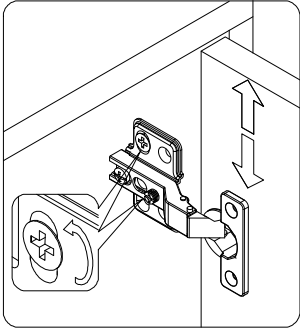


Metal handle x 2

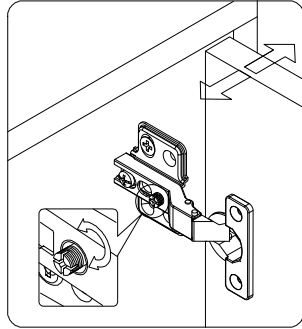


Assembly Instructions

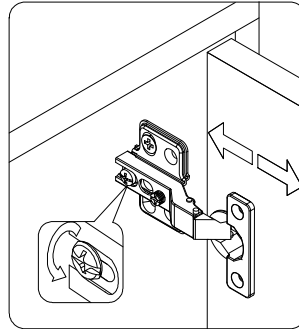
Step 19 When the hinges are installed, you can refer to the pictures to adjust the screws of the doors till it's perfect



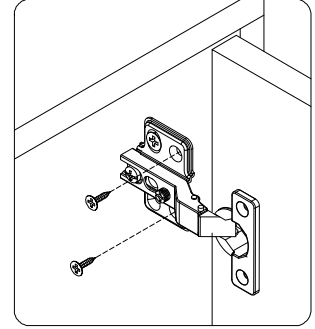
1. Adjust the screws shown in Figure 1 to adjust the door up and down.



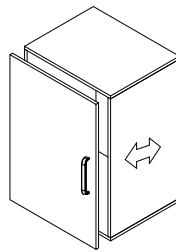
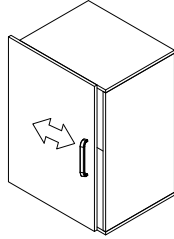
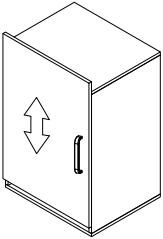
2. Adjust the screws shown in Figure 2 to adjust the door left and right to the right position.



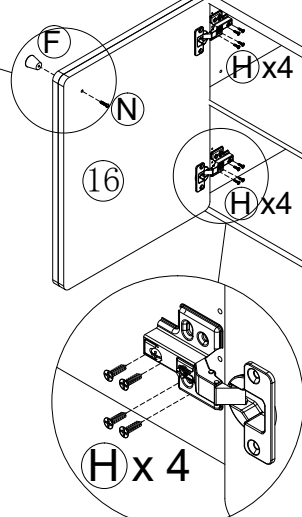
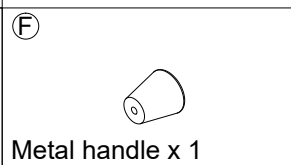
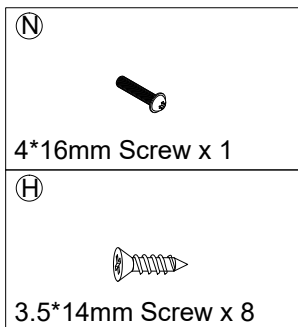
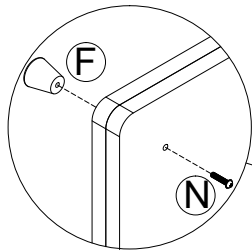
3. Adjust the screws shown in Figure 3 and pull the door back and forth so that it can be opened smoothly.



4. After the adjustment is complete, install the remaining two screws to secure the door in place.

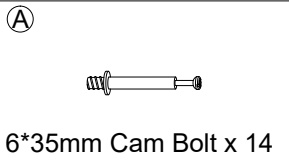
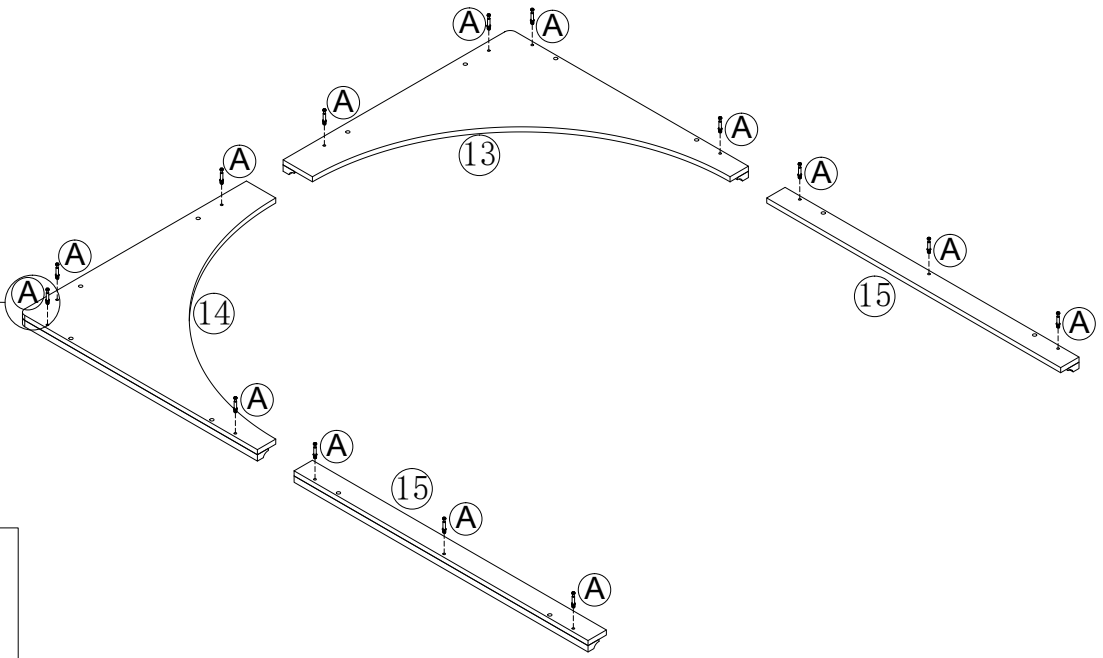
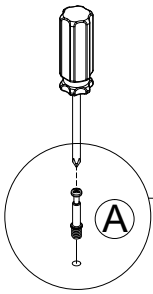


If there is an uneven gap between the door and the cabinet body, the problem can be solved by adjusting the hinge.

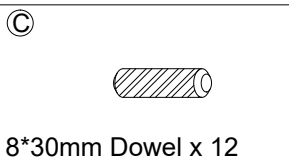
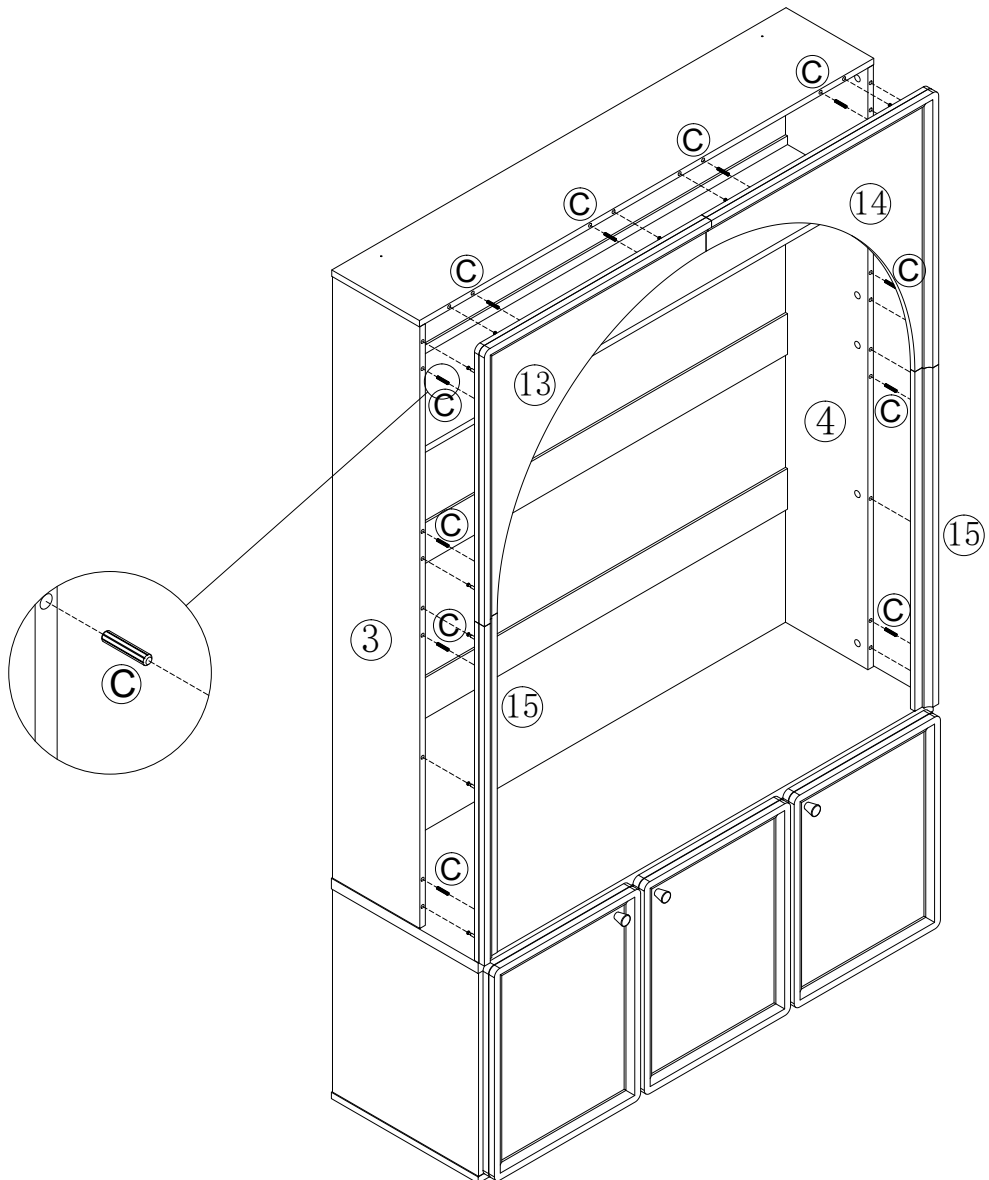


Assembly Instructions

Step 20



Step 21



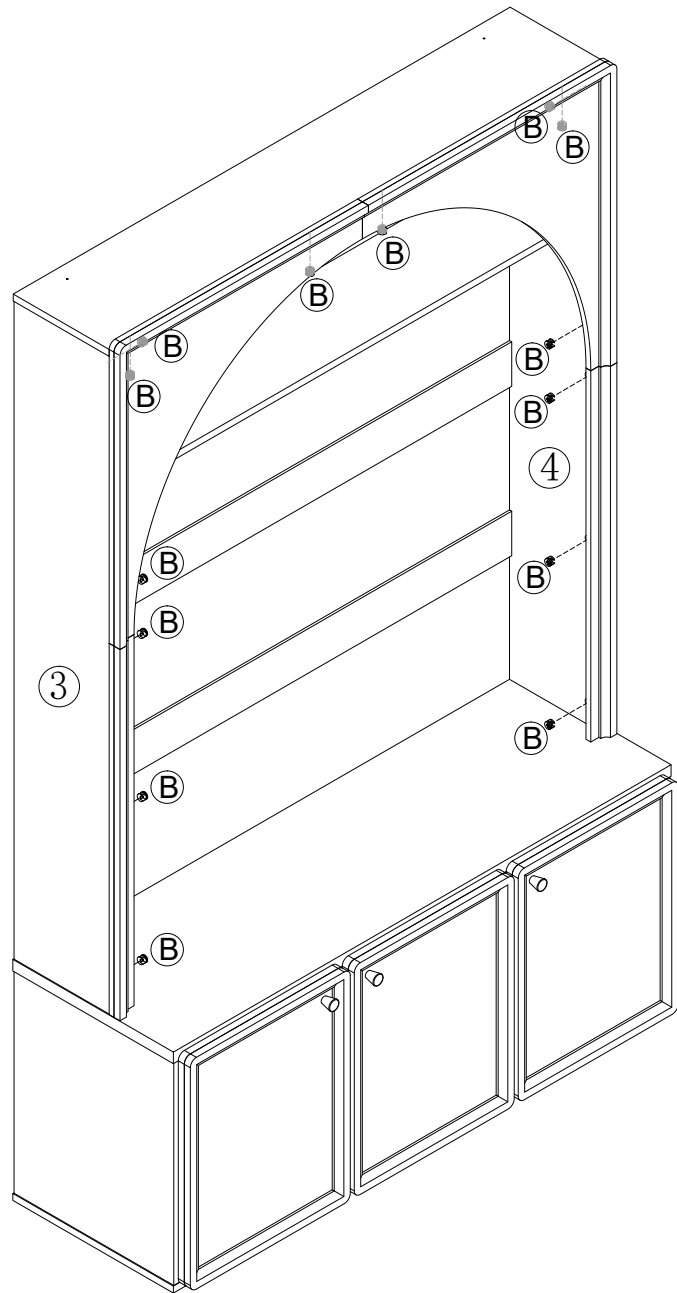
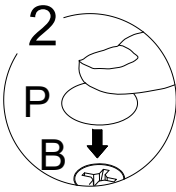
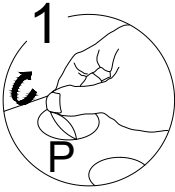
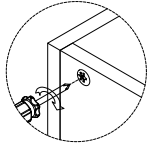
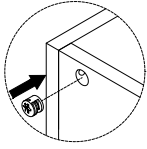
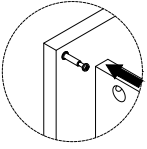
Assembly Instructions

Step 22

Step 1

Step 2

Step 3



(B)



15*9mm Cam lock x 14

(P)

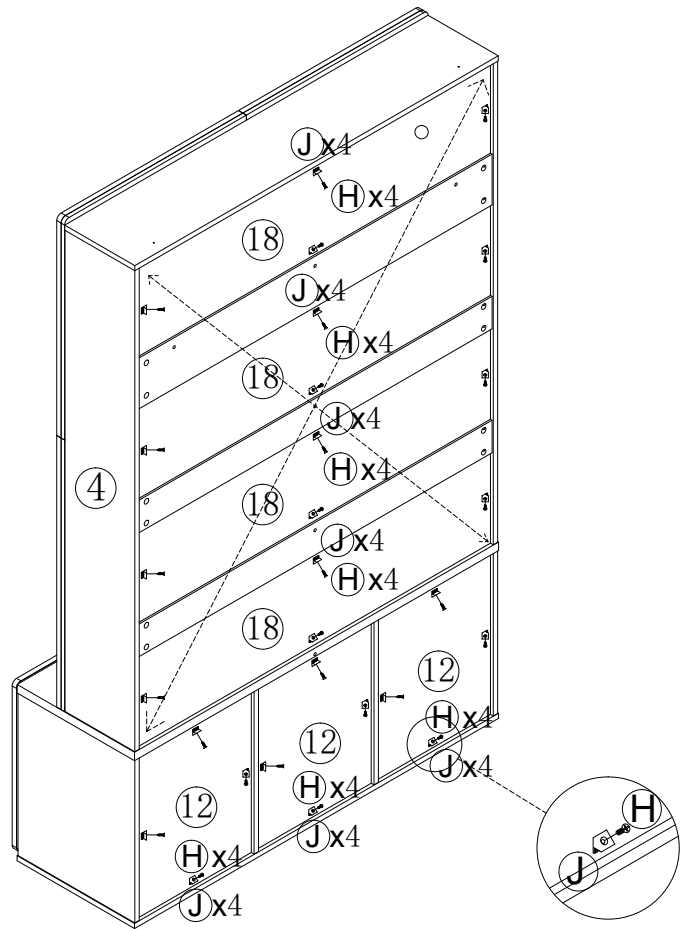



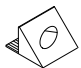
Hole to stick x 14

Assembly Instructions

Step 23

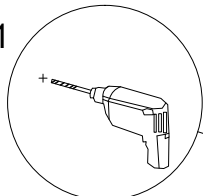
Before installing J, please measure the diagonals to ensure they are equal in length, keeping the cabinet upright.



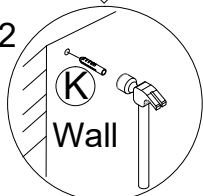
<p>Ⓜ</p>  <p>3.5*14mm Screw x 28</p>	<p>Ⓝ</p>  <p>Back plate buckle x 28</p>
---	--

Step 24

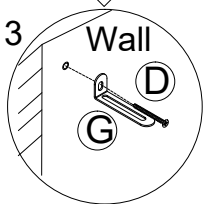
Step 1


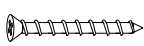



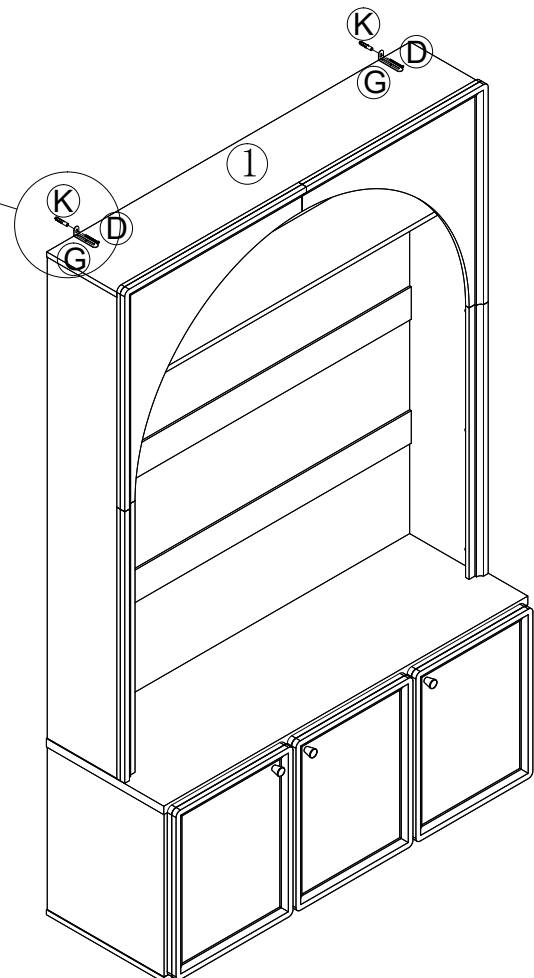
Step 2



Step 3

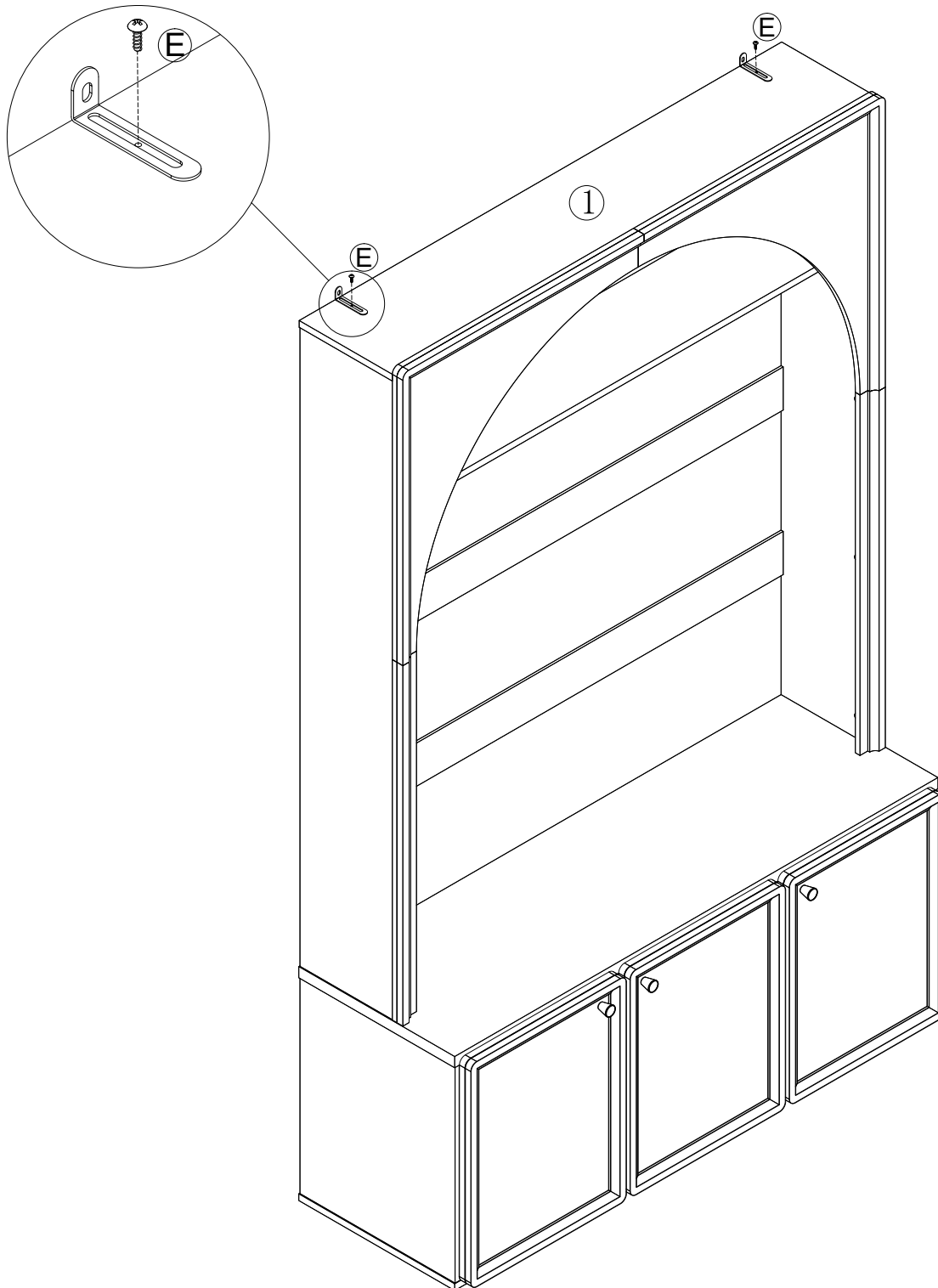


<p>Ⓚ</p>  <p>Expansion plastic x 2</p>	
<p>Ⓛ</p>  <p>4*40mm Screw x 2</p>	<p>Ⓞ</p>  <p>Anti-tip iron sheet x 2</p>



Assembly Instructions

Step 25



E



3.5*14mm Screw x 2

Assembly Instructions

Step 26

