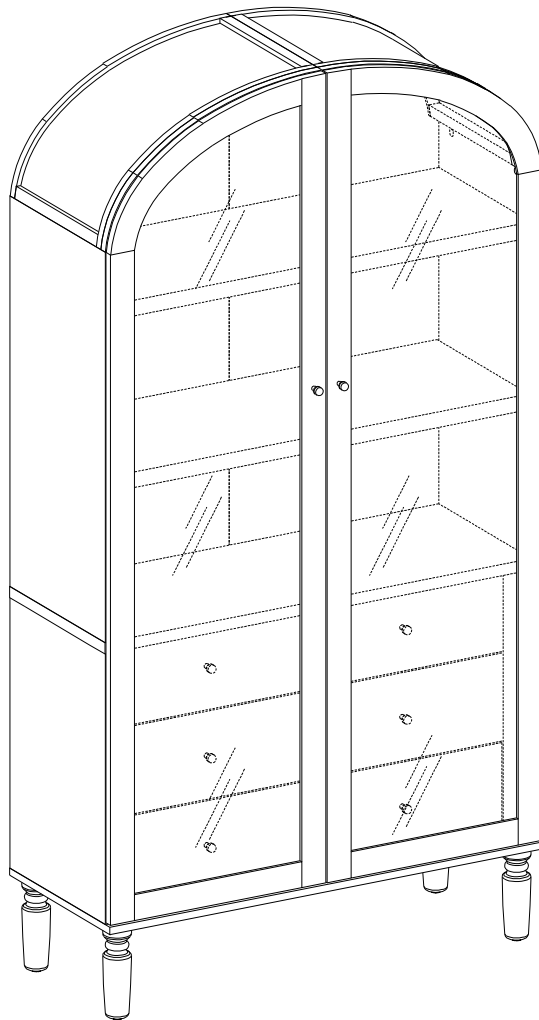


Bookcase with Glass Doors



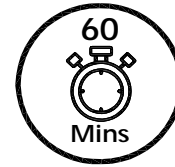
For Residential Use Only

Please visit our website for the most current instructions, assembly tips, report damage, or request parts.

Time to get started

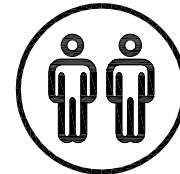
Set up a clean and soft workplace to get started and avoid damage during the assembly. It also helps to double-check that you've got all the pieces and parts before diving in to assembly.

Estimated time for assembly



People recommended for assembly

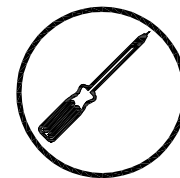
Make it a team effort! Grab a friend for quicker, easier assembly.



2 People Build

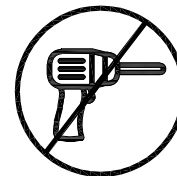
Tools Needed

Grab a Phillips head screwdriver to conquer this assembly



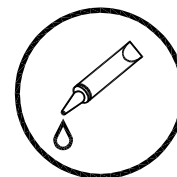
Use power tools with caution

You can cause cracking or damage to the material and easily strip the hardware. If you choose to use a power tool, your product will no longer be covered under Walker Edison's warranty.



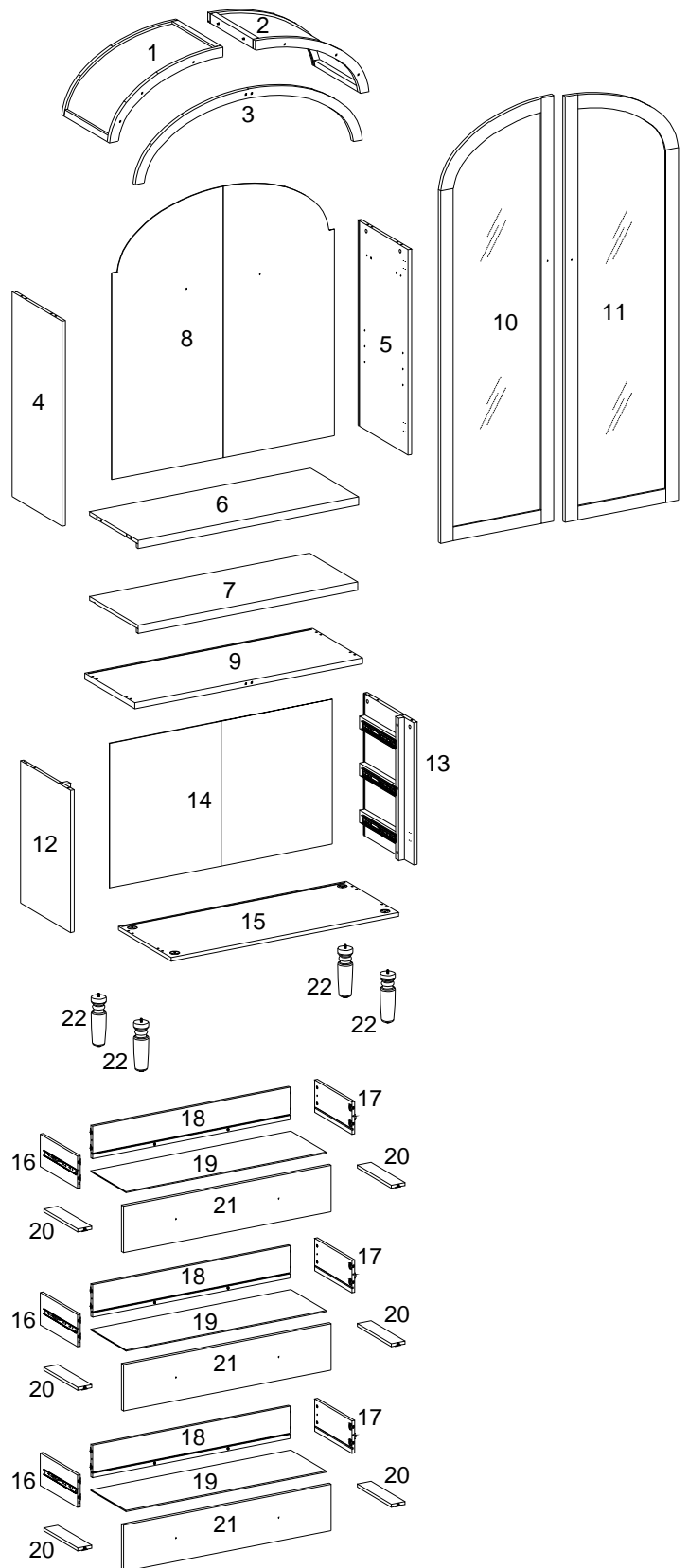
Glue is provided to secure wood dowels in place

When inserting dowels, locate the appropriate hole, place a small amount of glue in the hole, and then insert the dowel. Wipe away excess glue immediately.


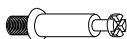


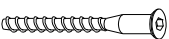



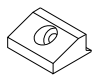


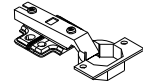
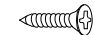


Parts List

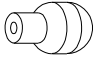
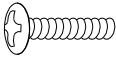








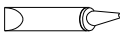
Part Number	Description	Quantity
1	Left Top Arched Panel	1
2	Right Top Arched Panel	1
3	Top Arched Panel Trim	1
4	Upper Left Side Panel	1
5	Upper Right Side Panel	1
6	Upper Fixed Divider	1
7	Upper Adjustable Shelf	1
8	Upper Back Panel	1
9	Middle Fixed Divider	1
10	Left Door Panel	1
11	Right Door Panel	1
12	Lower Left Side Panel	1
13	Lower Right Side Panel	1
14	Lower Back Panel	1
15	Bottom panel	1
16	Drawer Left Side Panel	3
17	Drawer Right Side Panel	3
18	Drawer Back Panel	3
19	Drawer Bottom Panel	3
20	Base Cross Bar	6
21	Drawer Front Panel	3
22	Support Leg	4



Hardware List

Part	Size	Name	Quantity
A	 8x30mm	Wooden dowel	20
B	 6x35mm	Cam bolt	12
C	 15x11mm	Cam lock	12
D	 30mm	Sticker	12
E	 6x50mm	Bolt	8
F	 M4	Hex Key	1
G	 6x30mm	Bolt	6
H	 4x15mm	Screw	2
J		Plastic wedge	22
K	 3x17mm	Screw	22
L	 8x5x16mm	Shelf support pin	4
M	 35mm	Hinge	6
N	 3.5x15mm	Screw	36

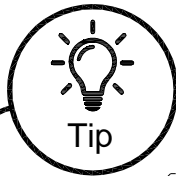
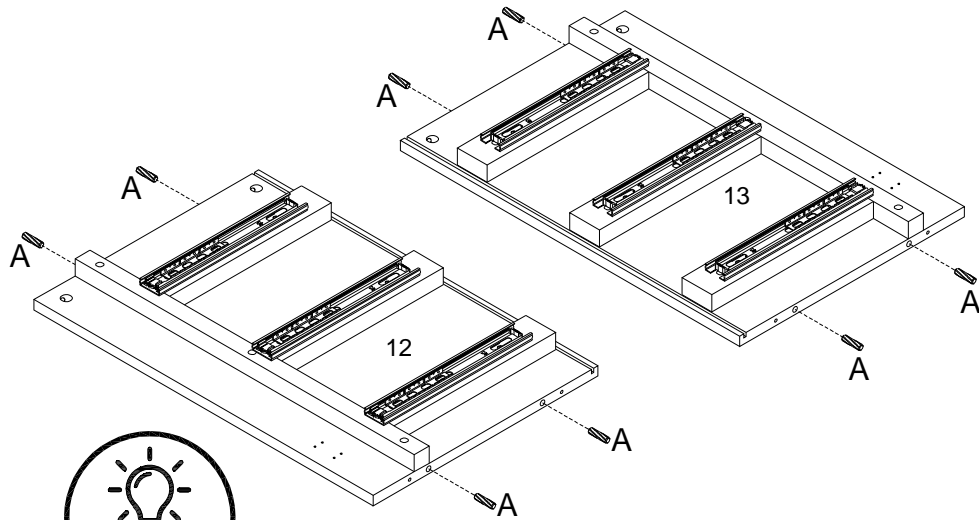
Hardware List

Part	Size	Name	Quantity
P		Handle	8
Q	 5/32"x21mm	Handle Bolt	8
R	 5x8mm	Bolt	4
S	 6x30mm	Wooden dowel	12
T	 4x12mm	Screw	1
U	 4x25mm	Screw	1
V		Plastic strap	1
W		Wall Anchor	1
X	 1/4"x11x1.5mm	Lock washer	6
Y	 1/4"x16x1.5mm	Washer	6
Z		Glue tube	2

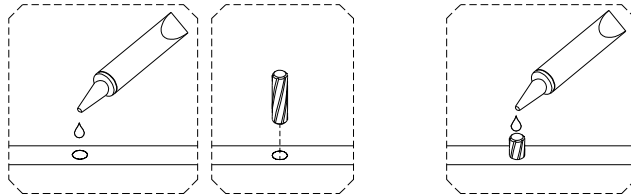
*The hardware quantities listed above are required for proper assembly.
Extra hardware pieces may be included.*

Step 1

Let's get started! First, take the Lower Left (12) and Lower Right (13) Side Panels and insert the Wooden Dowels (A).

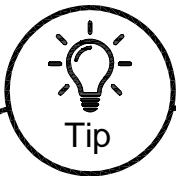


Tip



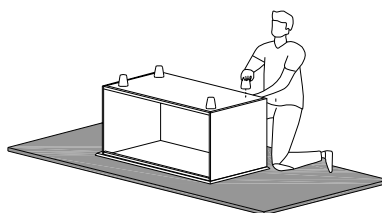
1: The provided glue is to secure wood dowels in place. When first inserting dowels, locate the appropriate hole for the dowel, place a small amount of glue in the hole and insert the dowel. Wipe away excess glue immediately.

2: In future assembly steps when dowels are necessary to attach assembly parts together, place a small amount of glue on the end of the dowel before attaching parts together. Wipe away excess glue immediately.



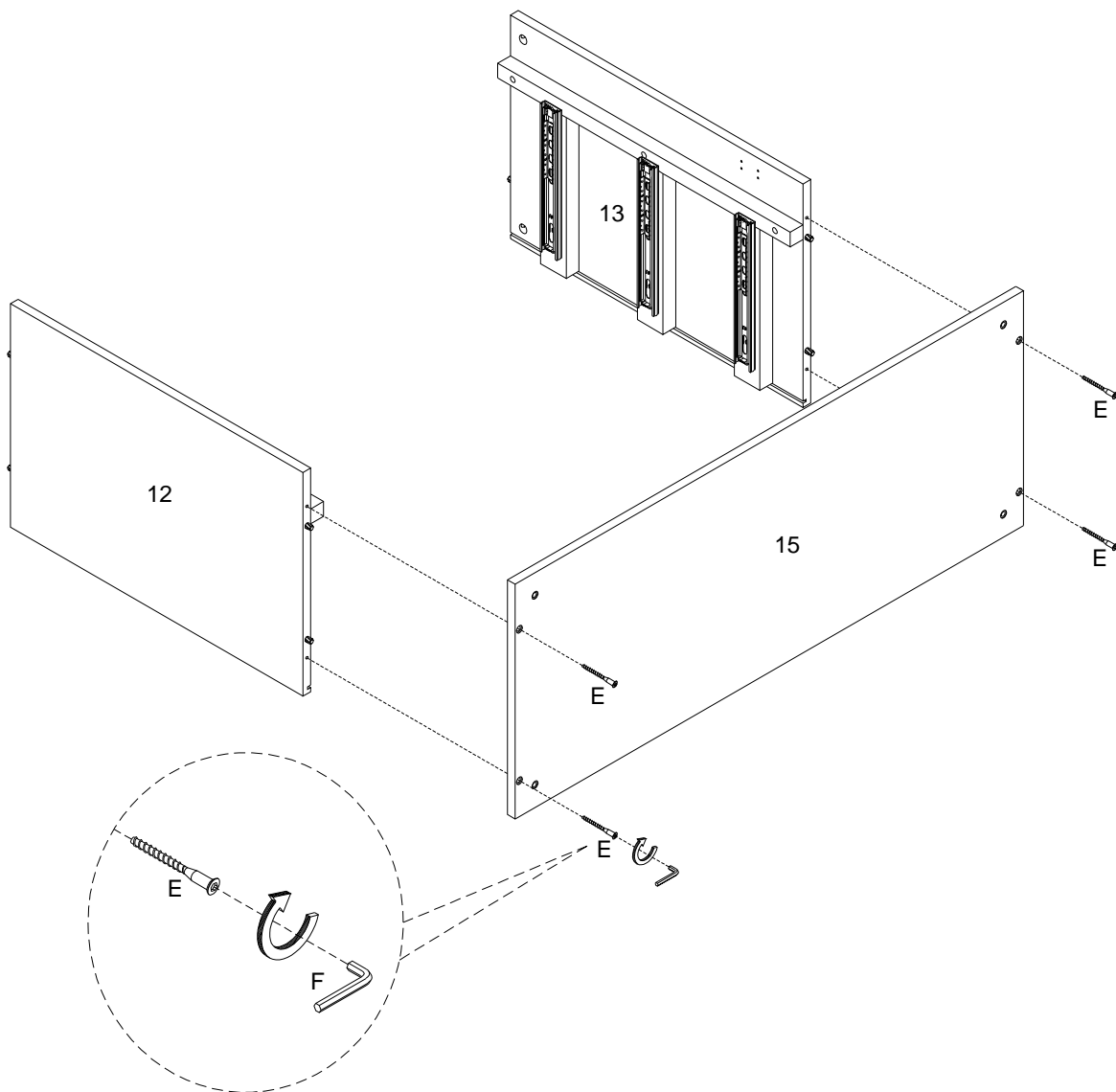
Tip

To keep your product looking its best and scratch-free, try assembling it on a soft surface like carpet or a blanket. This helps prevent any accidental scratches and keeps your furniture in top shape!



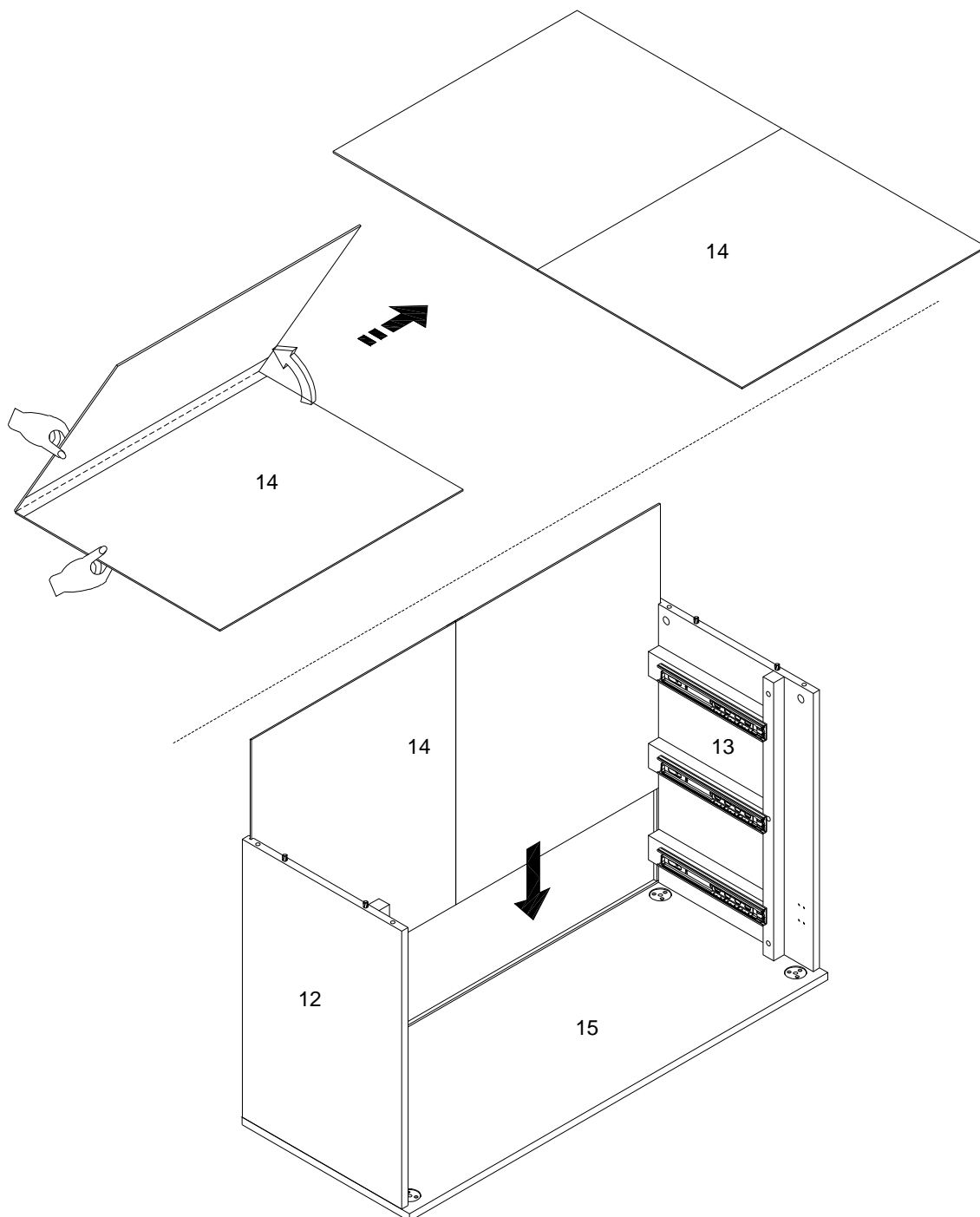
Step 2

Next, secure your Lower Left (12) and Lower Right (13) Side Panels to the Bottom Panel (15) using Bolts (E). Tighten the bolts with the Hex Key (F).



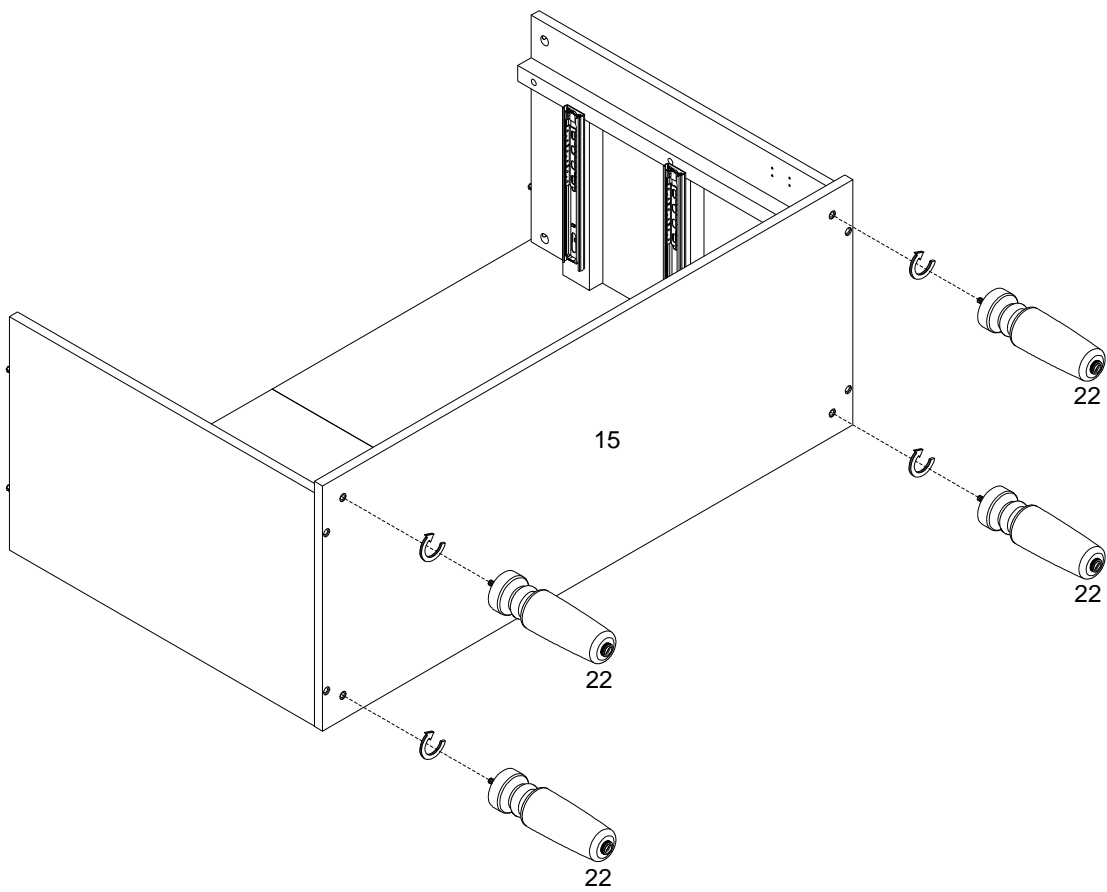
Step 3

Unfold your Lower Back Panel (14) and slide it into the back side. Use the grooves as a guide.



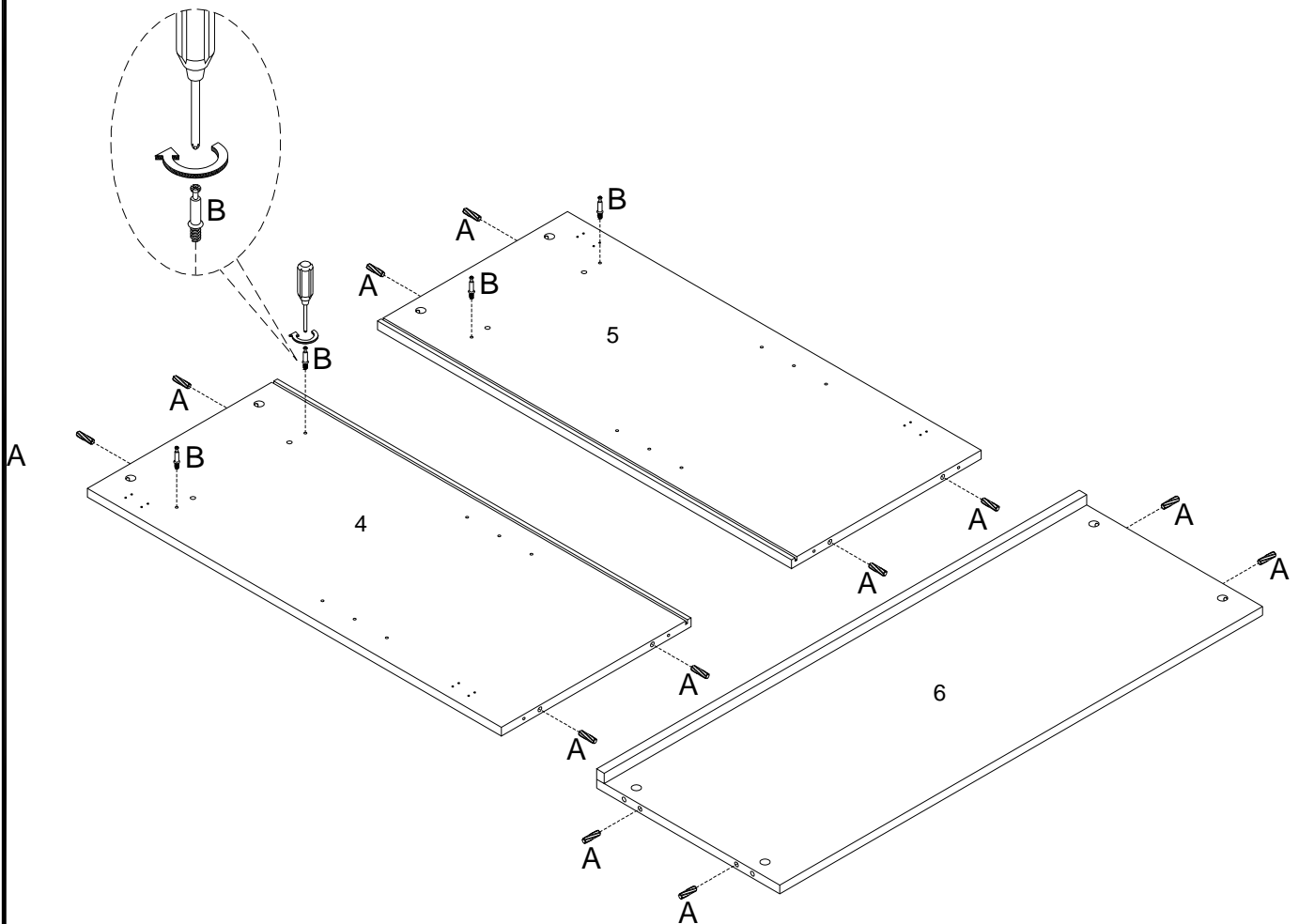
Step 4

Lay the body on its back and attach the Support Legs (22) by just twisting them on! Easy!



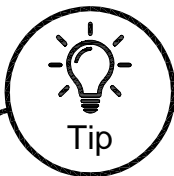
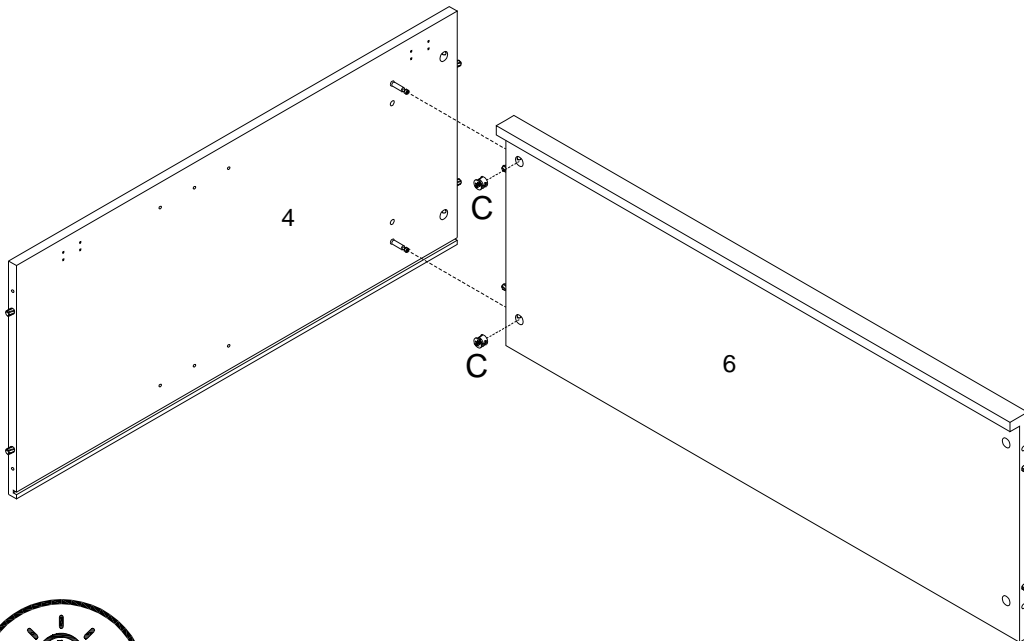
Step 5

Now, take the Upper Left Side Panel (4) and the Upper Right Side Panel (5) and screw in the Cam Bolts (B). Then grab the Upper Fixed Divider (6) and add Wooden Dowels (A) to all three parts.



Step 6

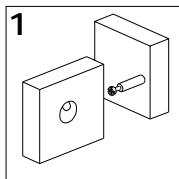
You're doing great! Take the Upper Left Side Panel (4) and the Upper Fixed Divider (6) and secure them together using Cam Locks (C).



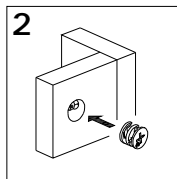
Tip

Cam Locks

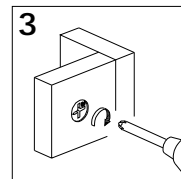
Cam Locks help securely join two pieces together. Follow these easy steps.



1: Insert Cam Bolt into bolt holes on the flat side. Don't over tighten!



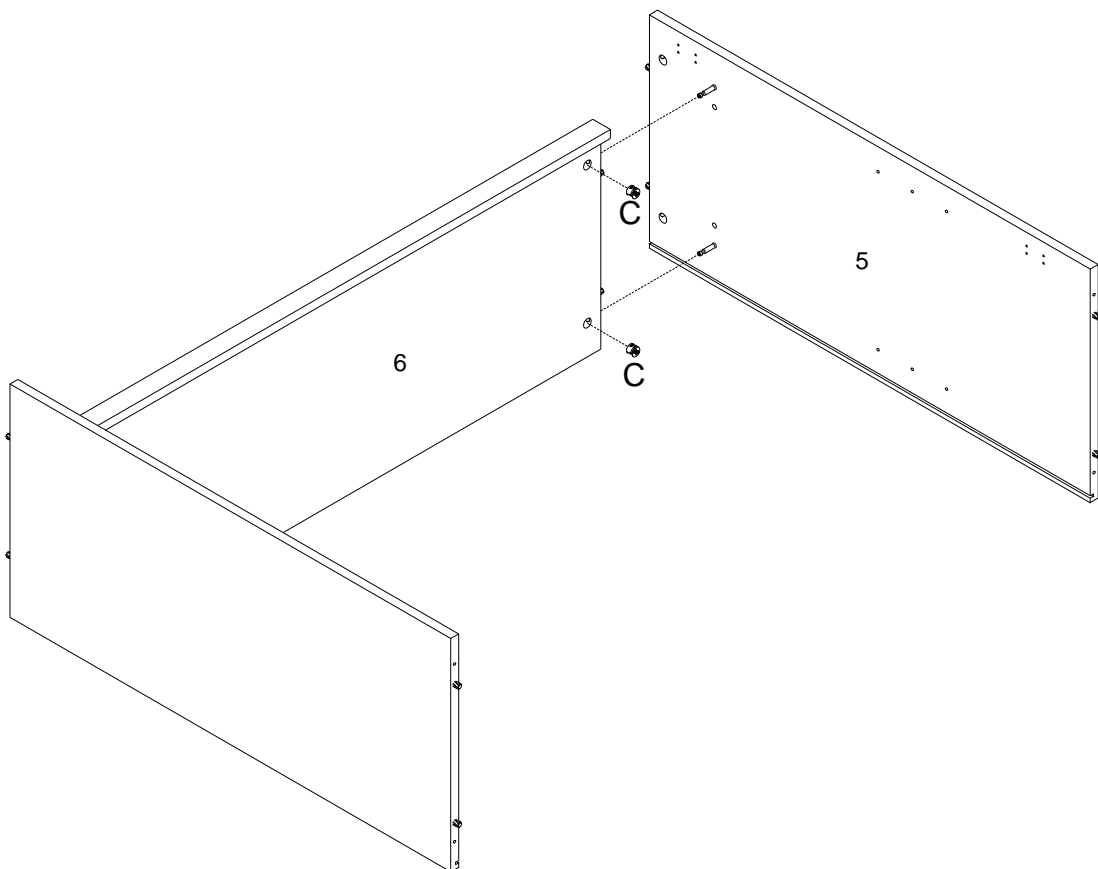
2: Fit the proper holes on the edge of the other part over the Cam Bolts. You should be able to see the cam bolts through the larger hole on the side.



3: On the back of the Cam Lock will be a "C" shape. Insert the Cam Lock so the opening of the "C" fits over the Cam Bolt. Tighten with the screwdriver.

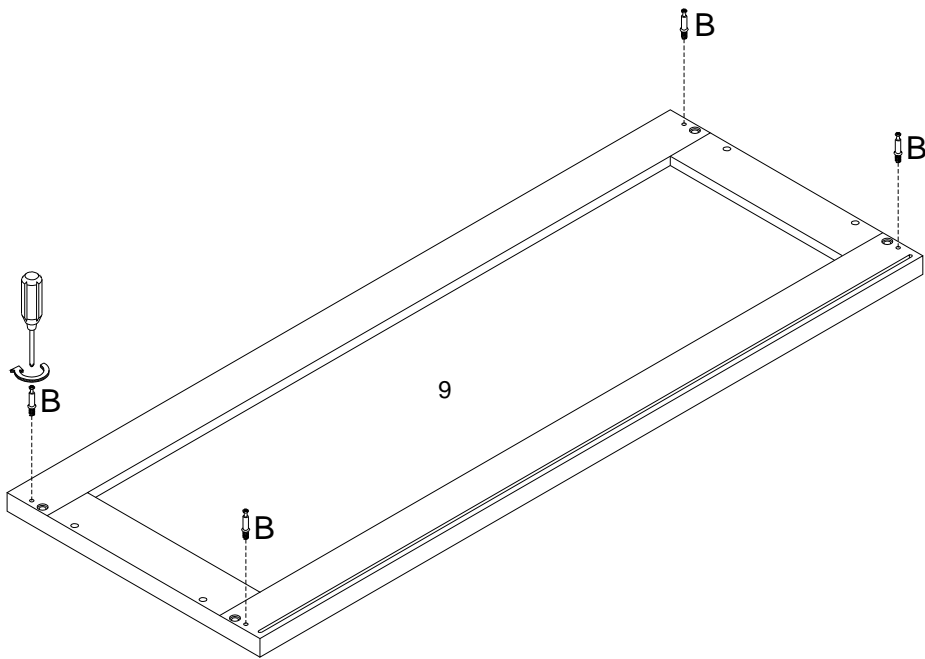
Step 7

Repeat the previous step with the Upper Right Side Panel (5).



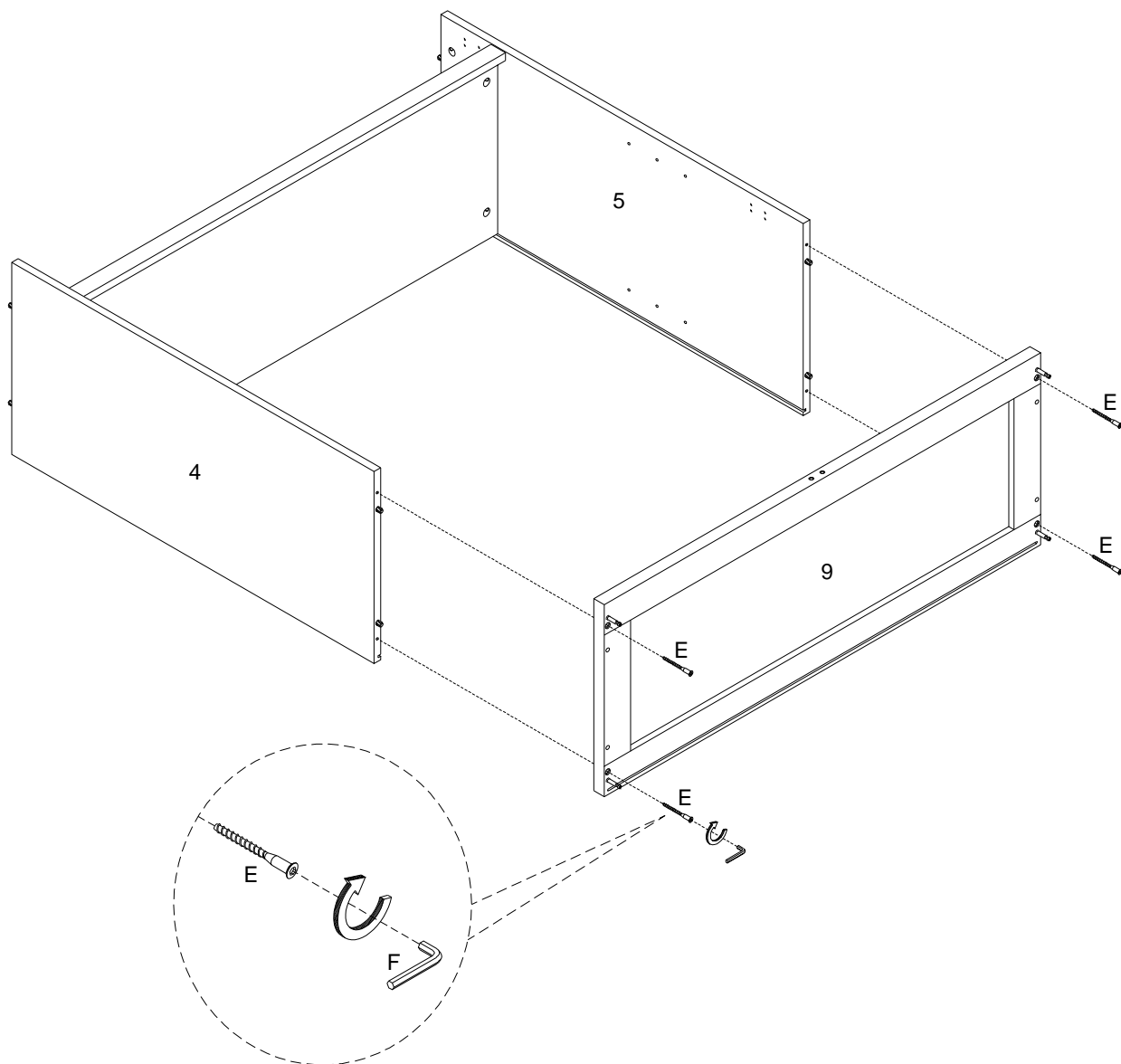
Step 8

Grab the Middle Fixed Divider (9) and screw in some Cam Bolts (B).



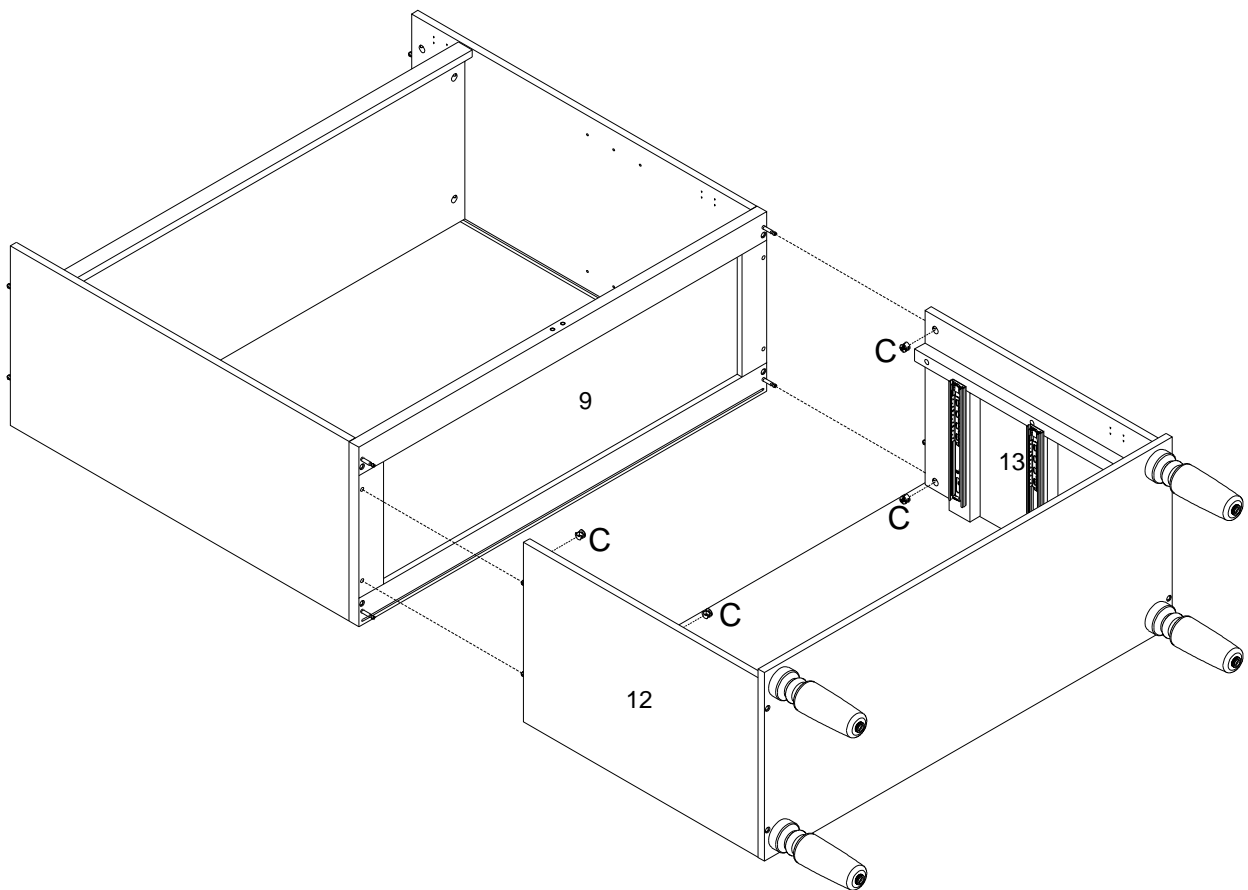
Step 9

Now attach and secure the Middle Fixed Divider (9) to your Upper Left (4) and Upper Right (5) Side Panels using Bolts (E). Tighten with Hex Key (F).



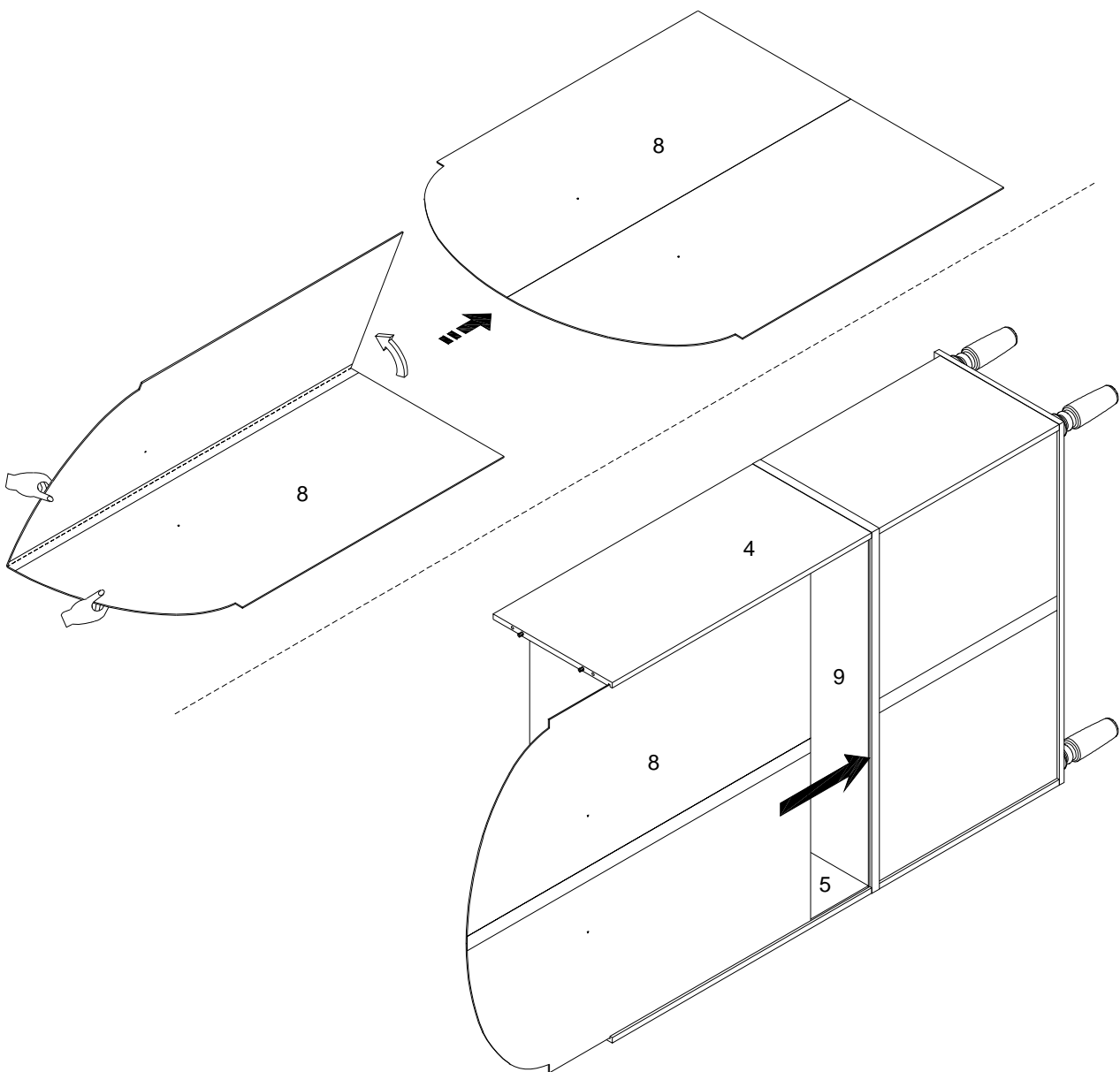
Step 10

Attach the Middle Fixed Divider (9) to the Lower Left (12) and Lower Right (13) Side Panels using Cam Locks (C).



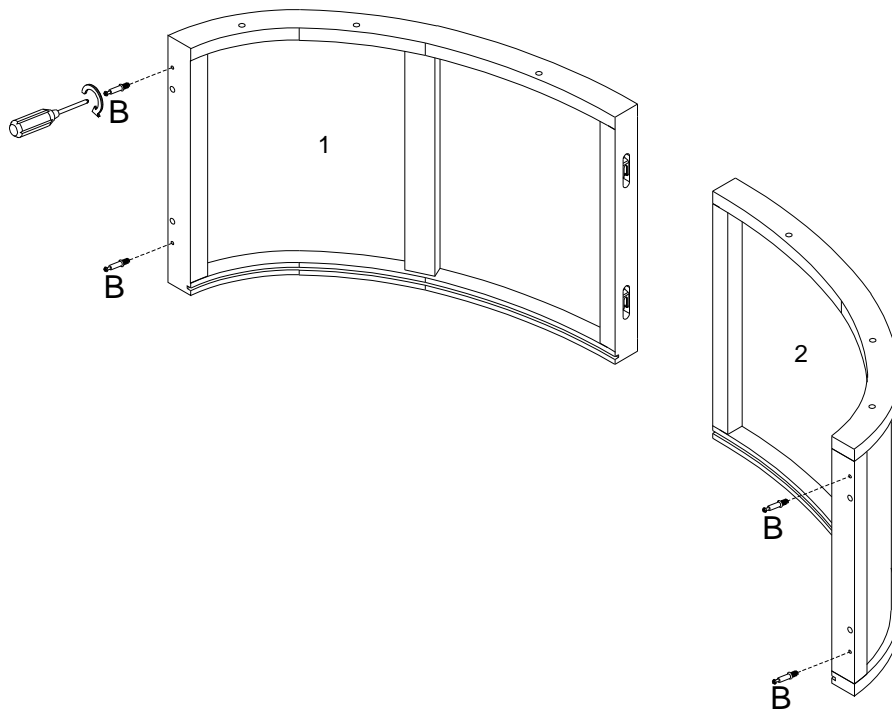
Step 11

Making good progress! Flip the bookcase on its side, unfold your Upper Back Panel (8) and slide it into place, using the grooves as a guide.



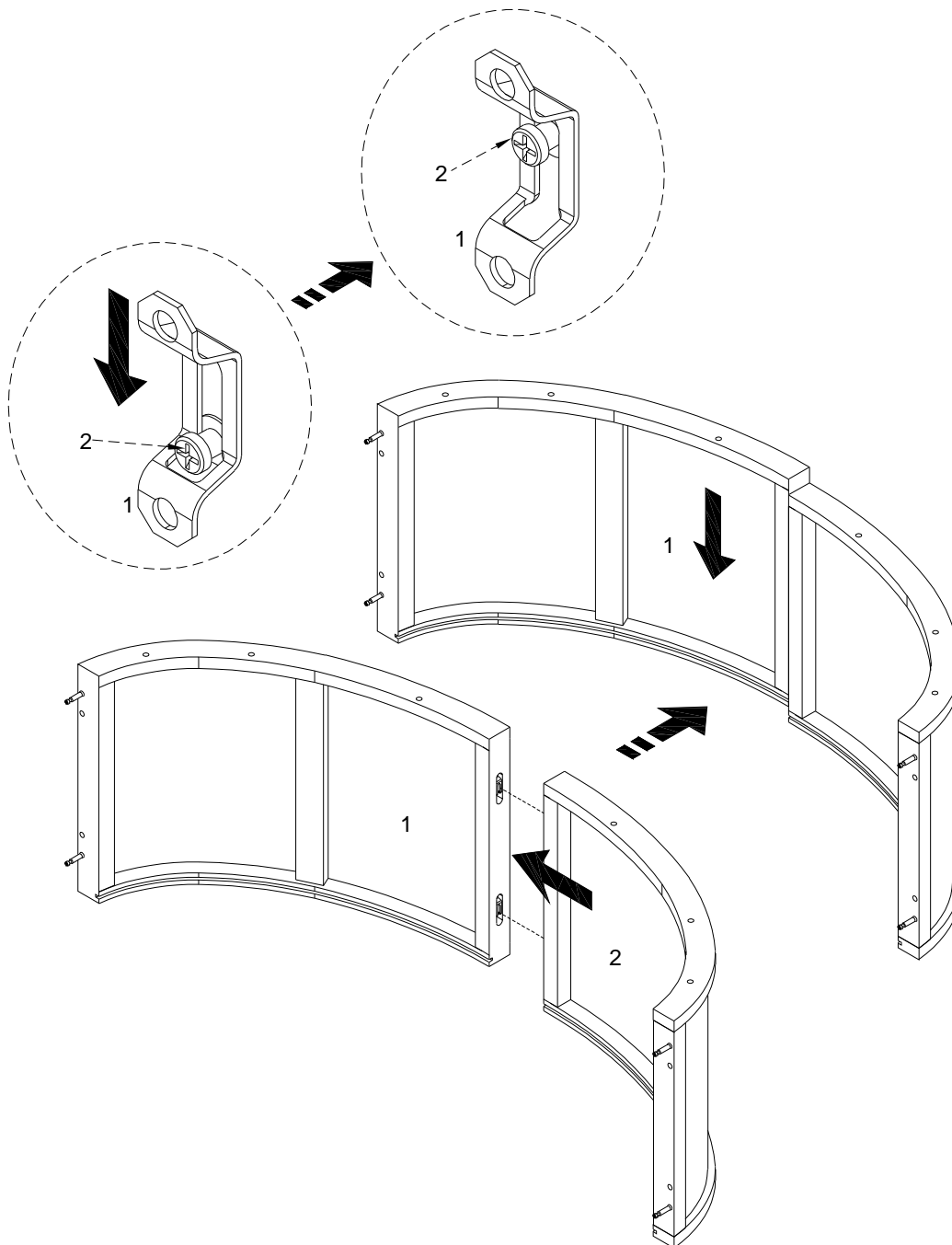
Step 12

Now let's move to the top! Take the Top Left Arched Panel (1) and Top Right Arched Panel (2) and screw in some Cam Bolts (B).



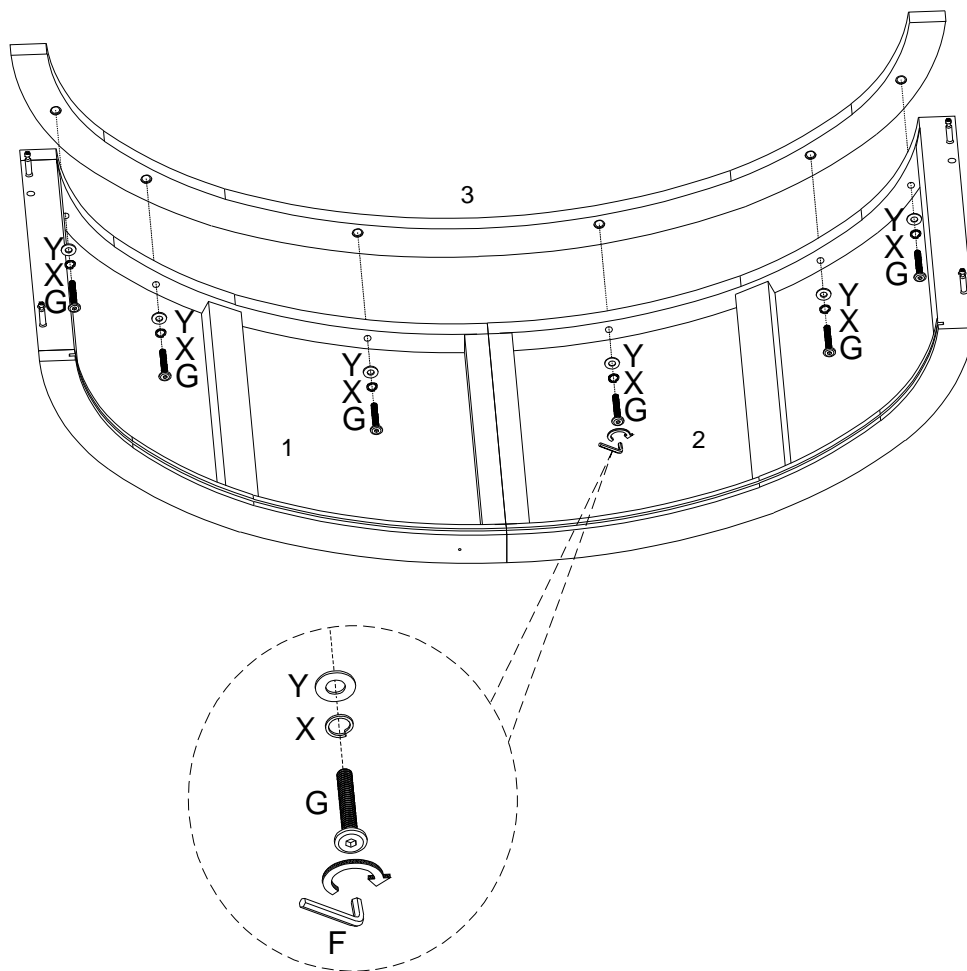
Step 13

Slide the Top Left Arched Panel (1) into the Top Right Arched Panel (2), securing them together.



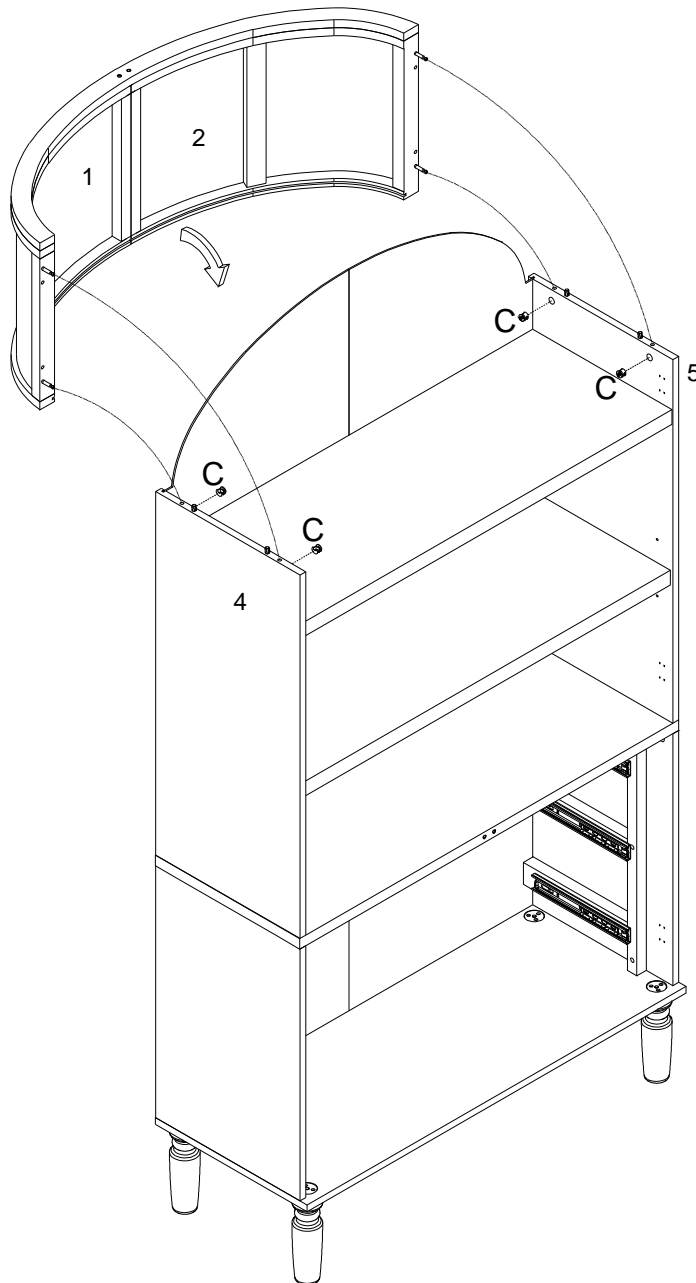
Step 14

Connect the Top Arched Panel Trim (3) to your top arched panel by using Washers (Y), Lock Washers (X), and Bolts (G). Tighten using the Hex Key (F).



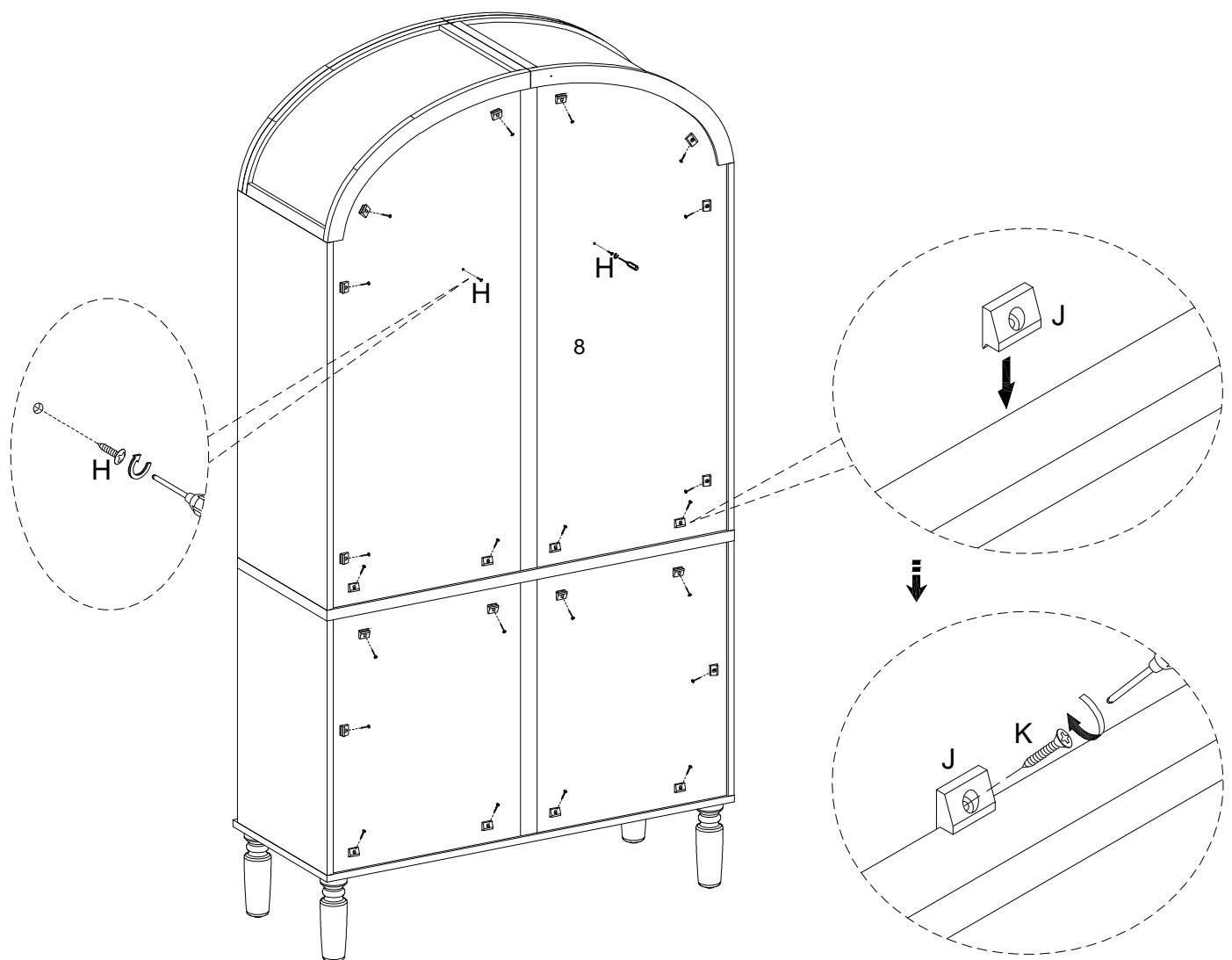
Step 15

It's time to connect the Top Arched Panel to the body of your Bookcase! Let's use Cam Locks (C) to make sure it's secure!



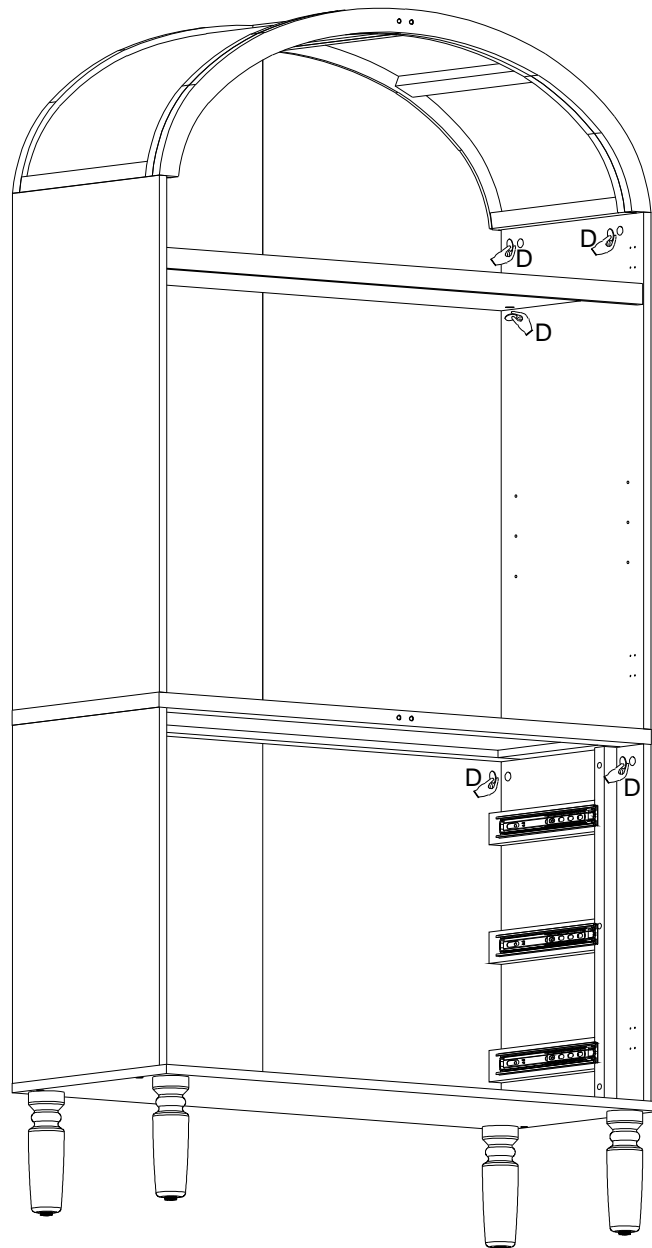
Step 16

Halfway there, keep it up! Now, grab the Plastic Wedges (J) and insert them into place. Make sure to spread them evenly across the back panels. You will slide the wedge between the back panels and the frame and secure them with screws (K). You will also secure the center of your Upper Back Panel (8) with Screws (H).



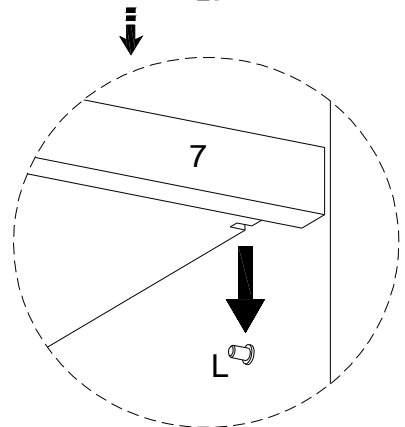
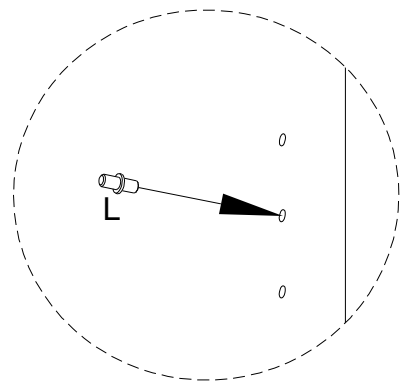
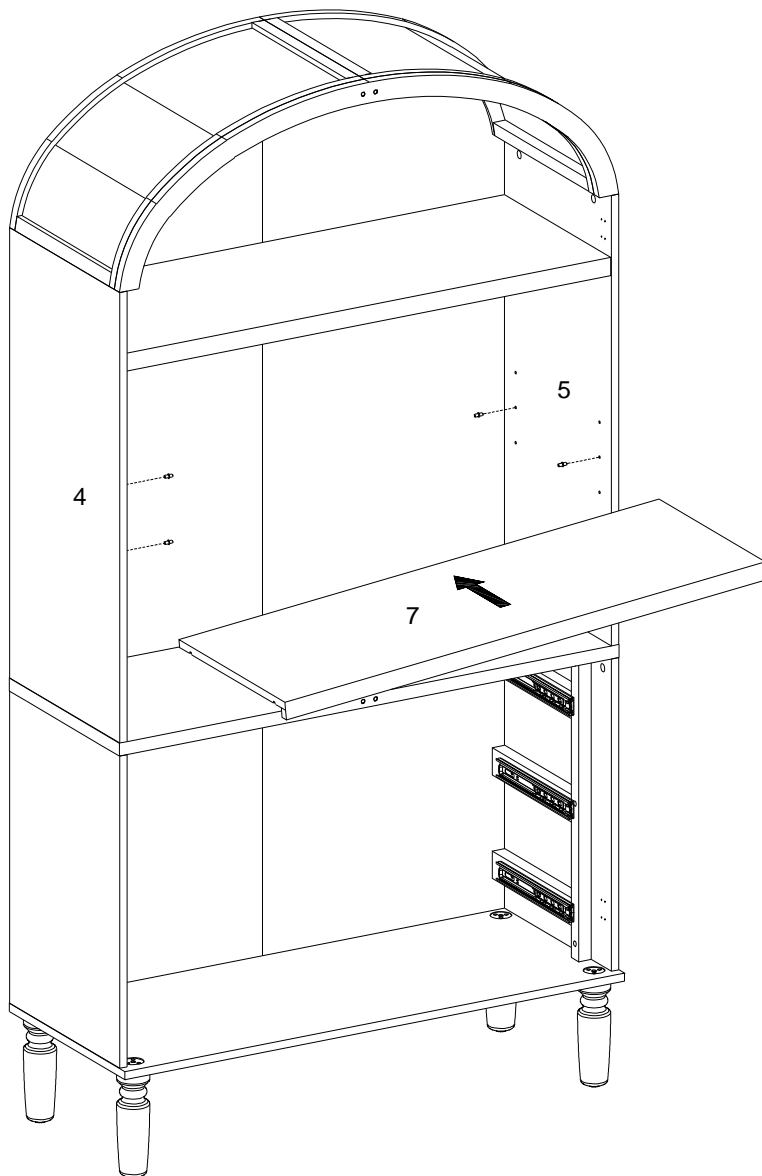
Step 17

Let's cover up any visible Cam Locks (C) with some Stickers (D).



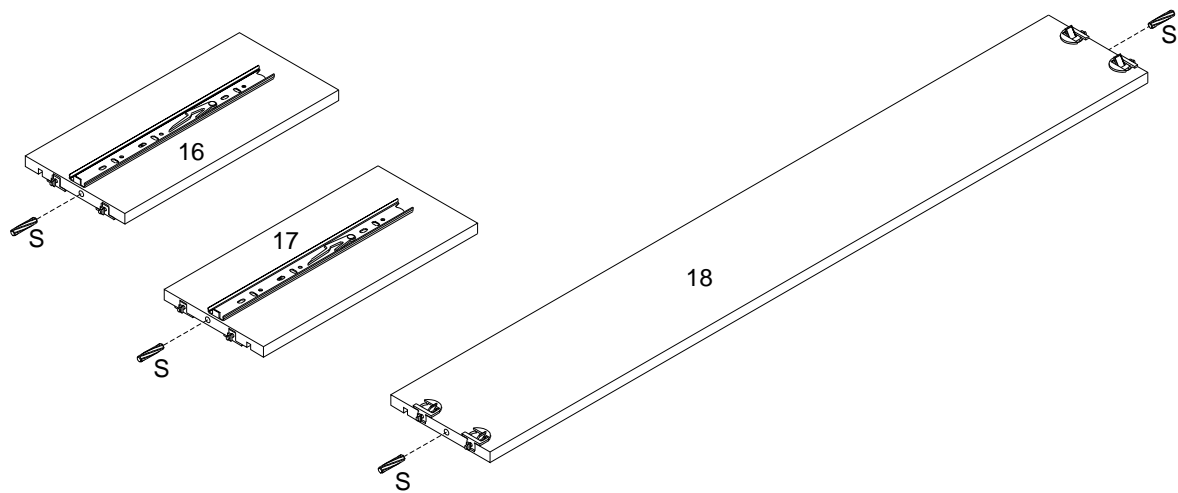
Step 18

Insert the Shelf Support Pins (L) to your desired height. Then, we'll slide the Adjustable Shelf (7) into place.



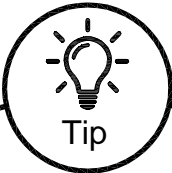
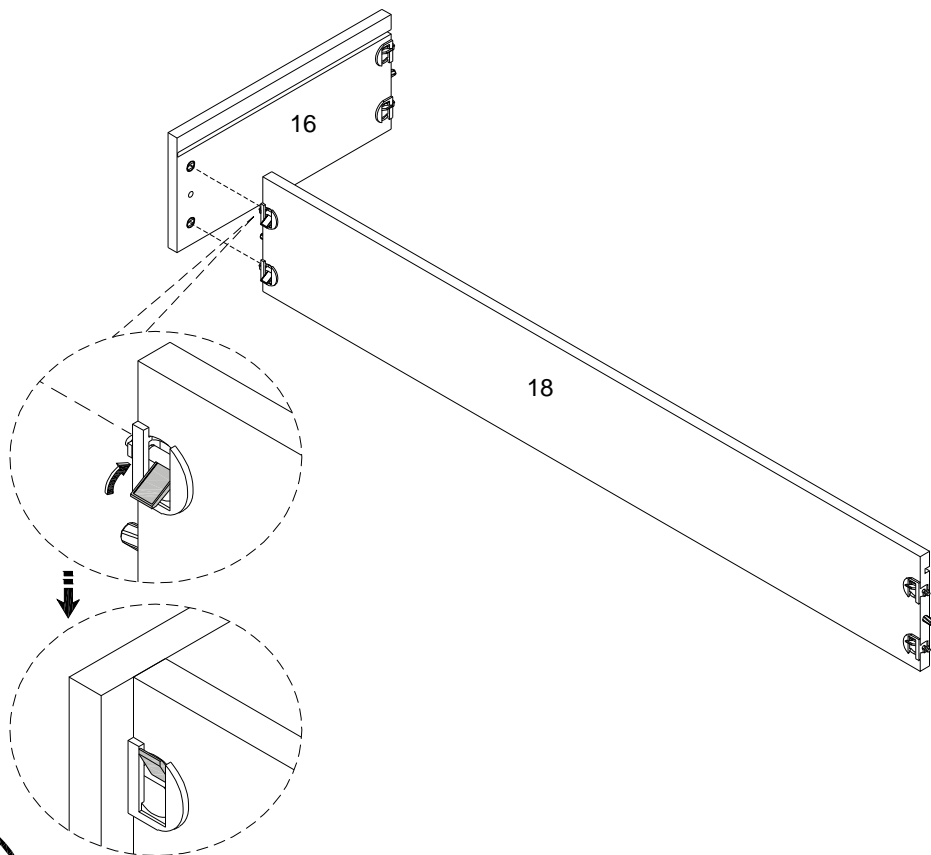
Step 19

Let's get started on some drawers! Take the Left (16) and Right (17) Drawer Panels, as well as the Back Drawer Panel (18) and add some Wooden Dowels (S).

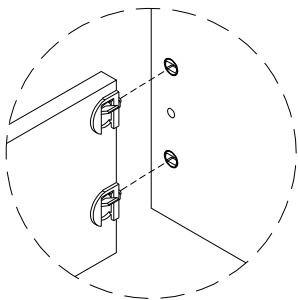


Step 20

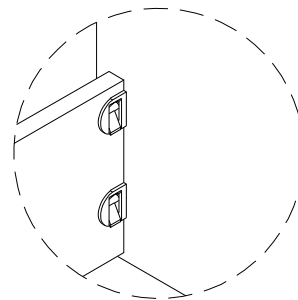
Making sure the grooves line up, take the Left Drawer Panel (16) and attach it to the Back Drawer Panel (18). Align the pins, flip the switches, and you're good to go!



Quick Assembly Drawers



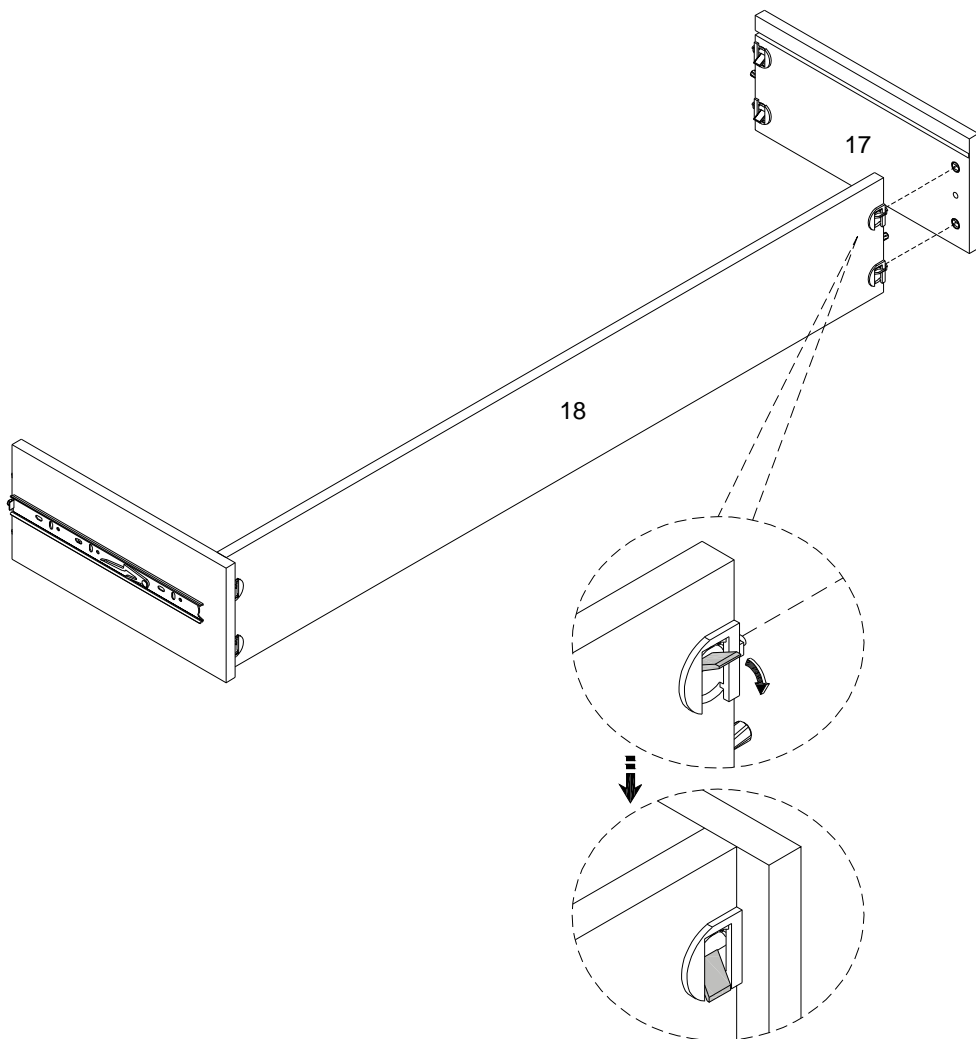
1. Make quick assembly drawer pin is aligned with corresponding hole



2. Once pin is inserted correctly flip metal lever in opposite direction to ensure panels are firmly locked together.

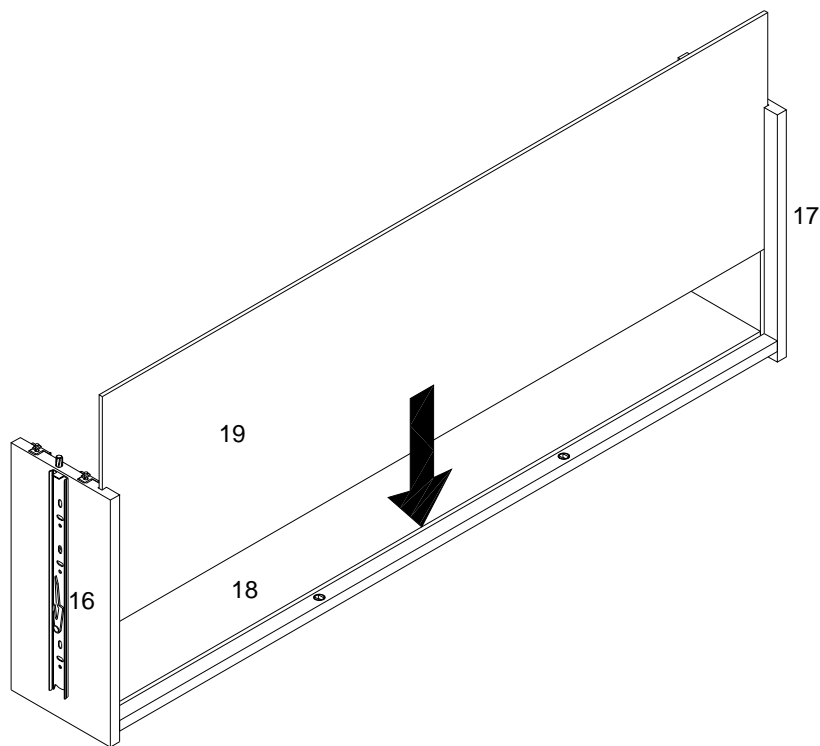
Step 21

Repeat the previous step with the Right Drawer Panel (17) and the Back Drawer Panel (18).



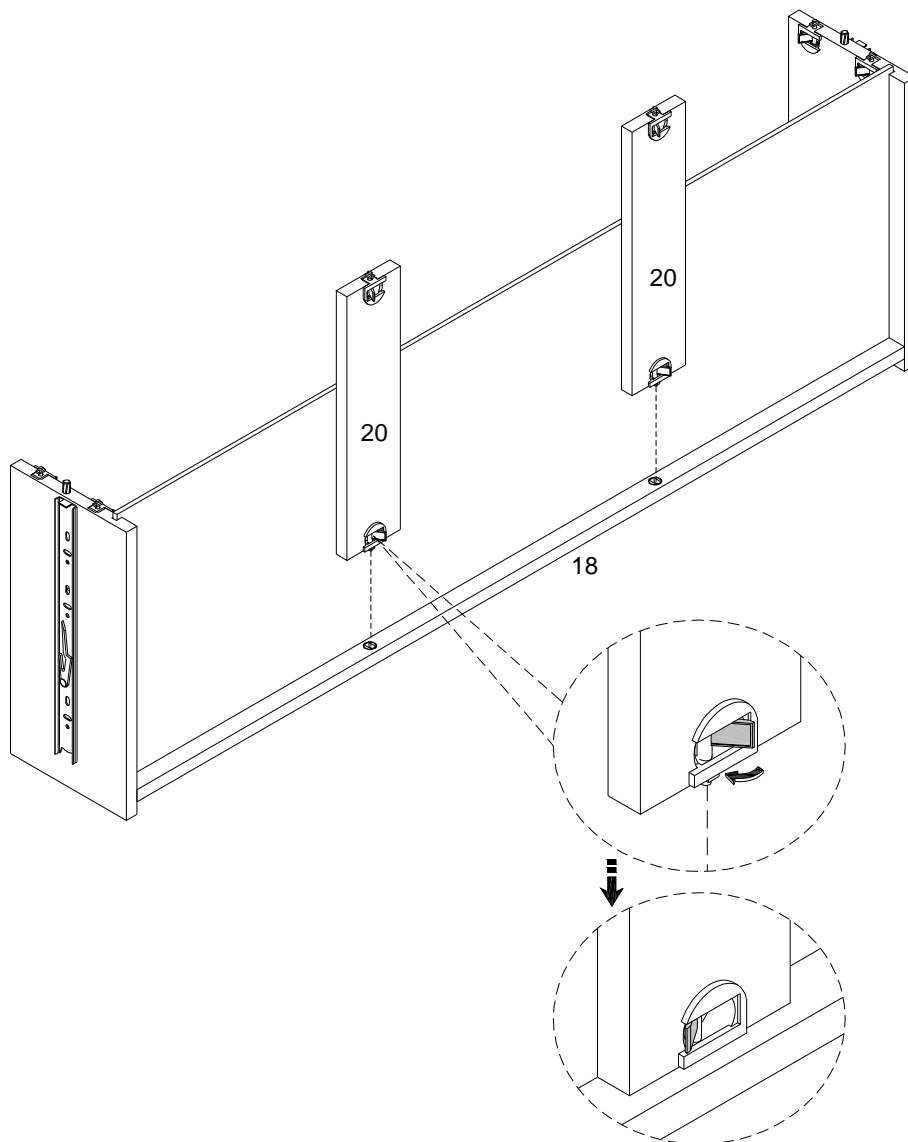
Step 22

Next, take your Bottom Drawer Panel (19) and slide it in, using the grooves as your guide.



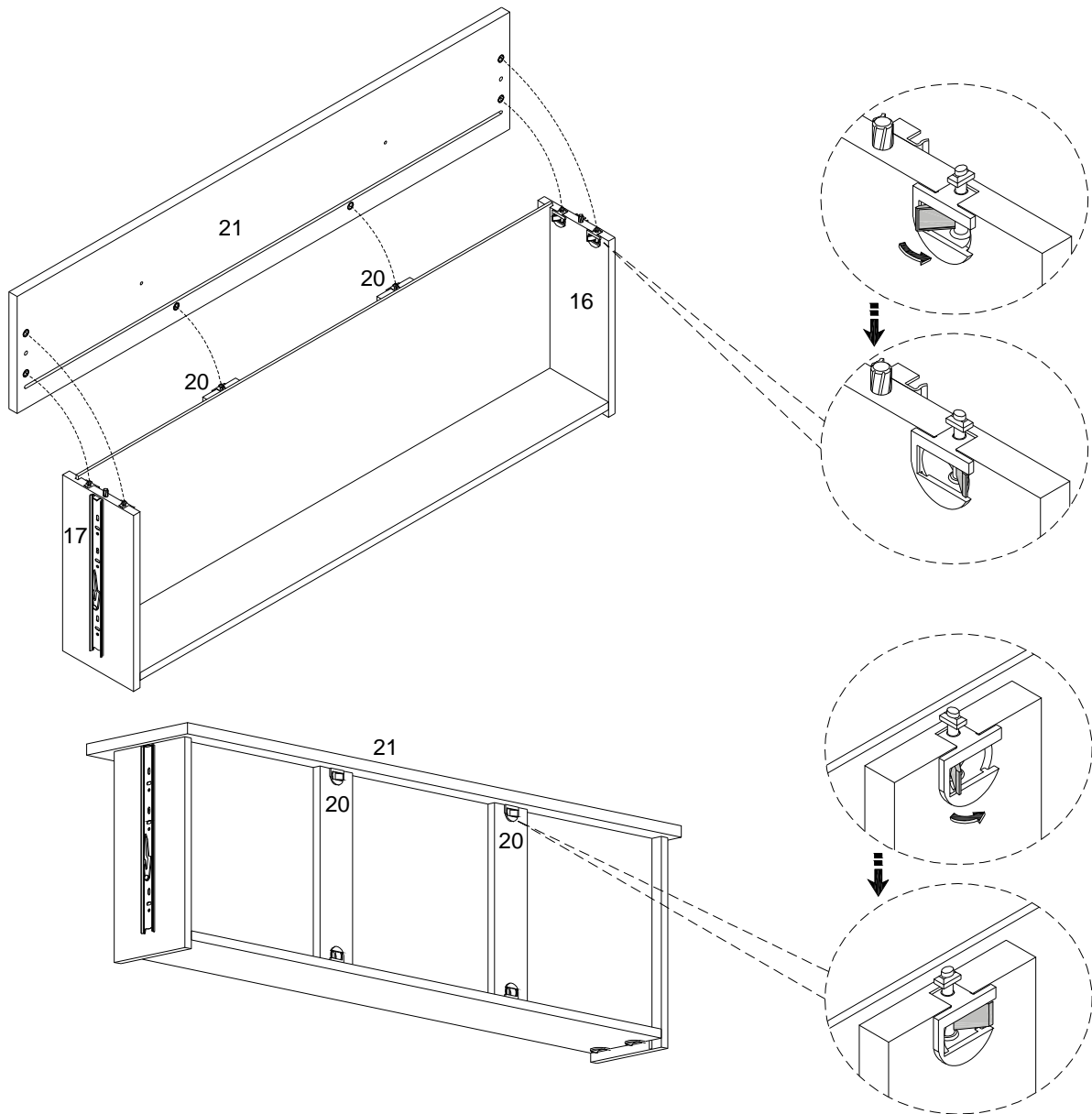
Step 23

To secure our drawers, we'll need to attach our Base Cross Bars (20) to the underside of the Bottom Drawer Panel (19).



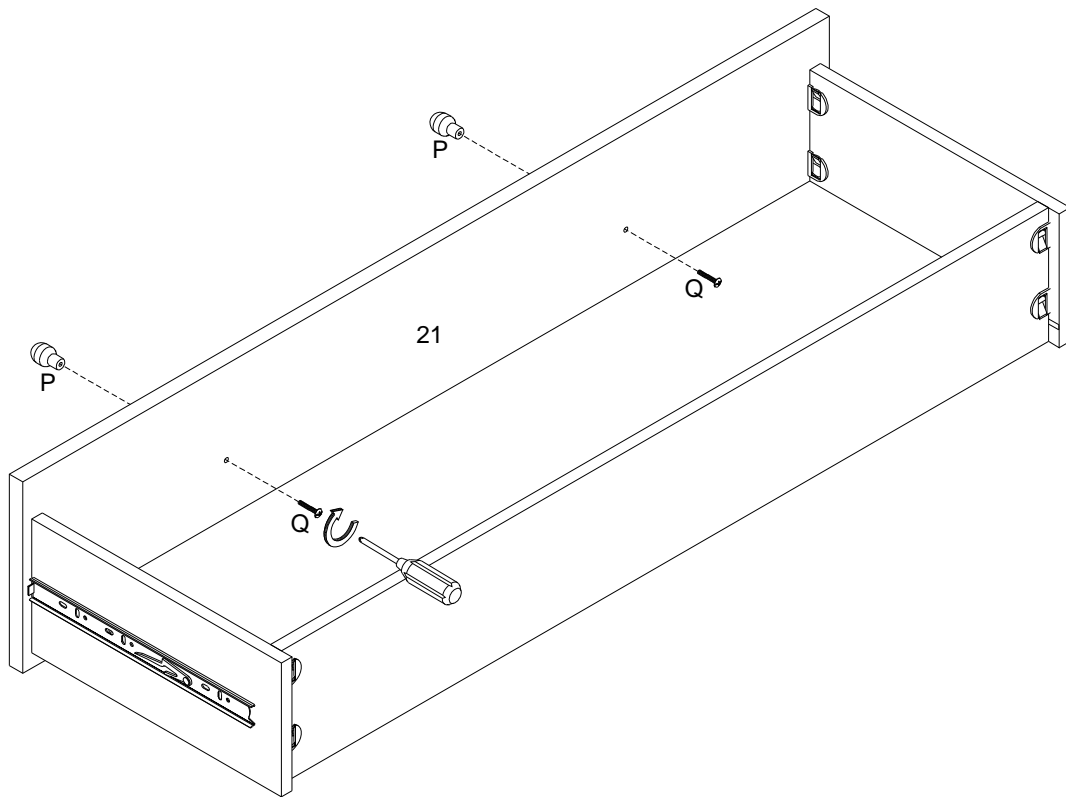
Step 24

Attach the Front Drawer Panel (21) to the rest of the drawer panels.



Step 25

Connect your Handles (P) to your Front Drawer Panel using Handle Bolts (Q). Now repeat steps 19-25 2x.



Step 26

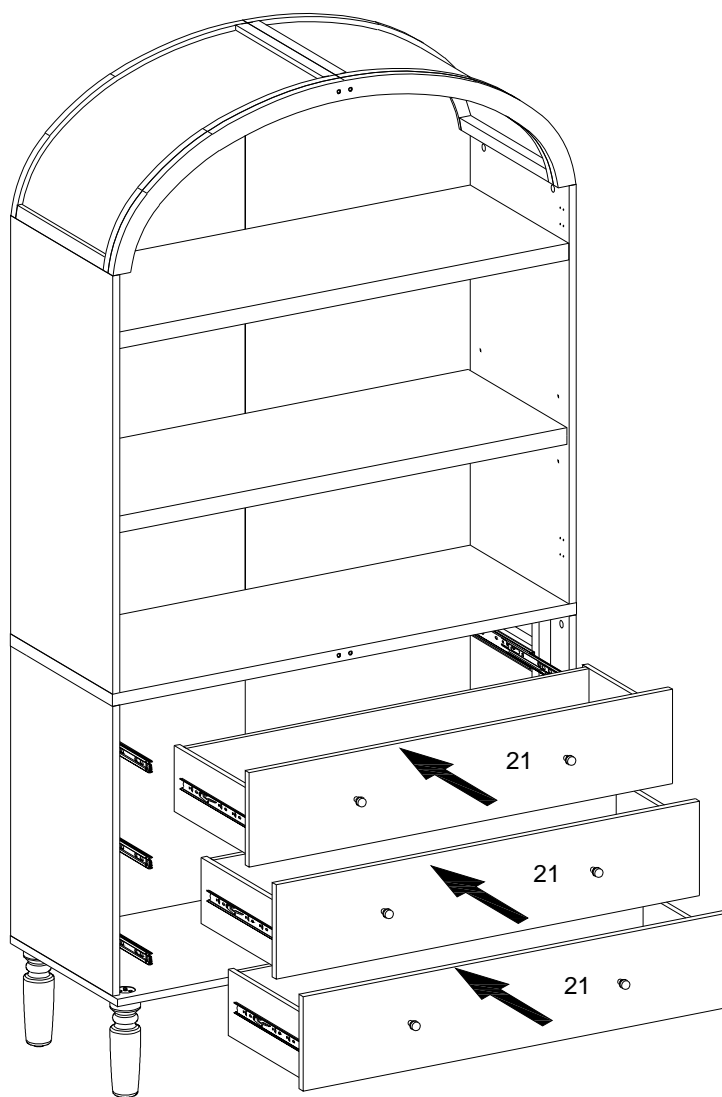
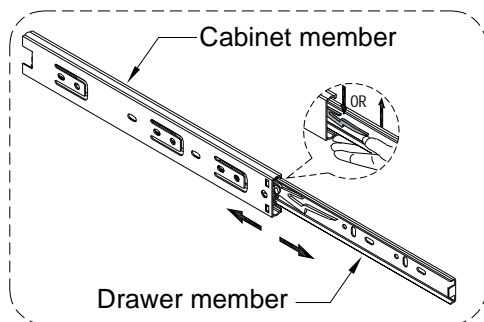
Now that your drawers are ready, let's slide them into the bookcase using the cabinet glides. See the tip for extra help getting your drawers in place.



Tip

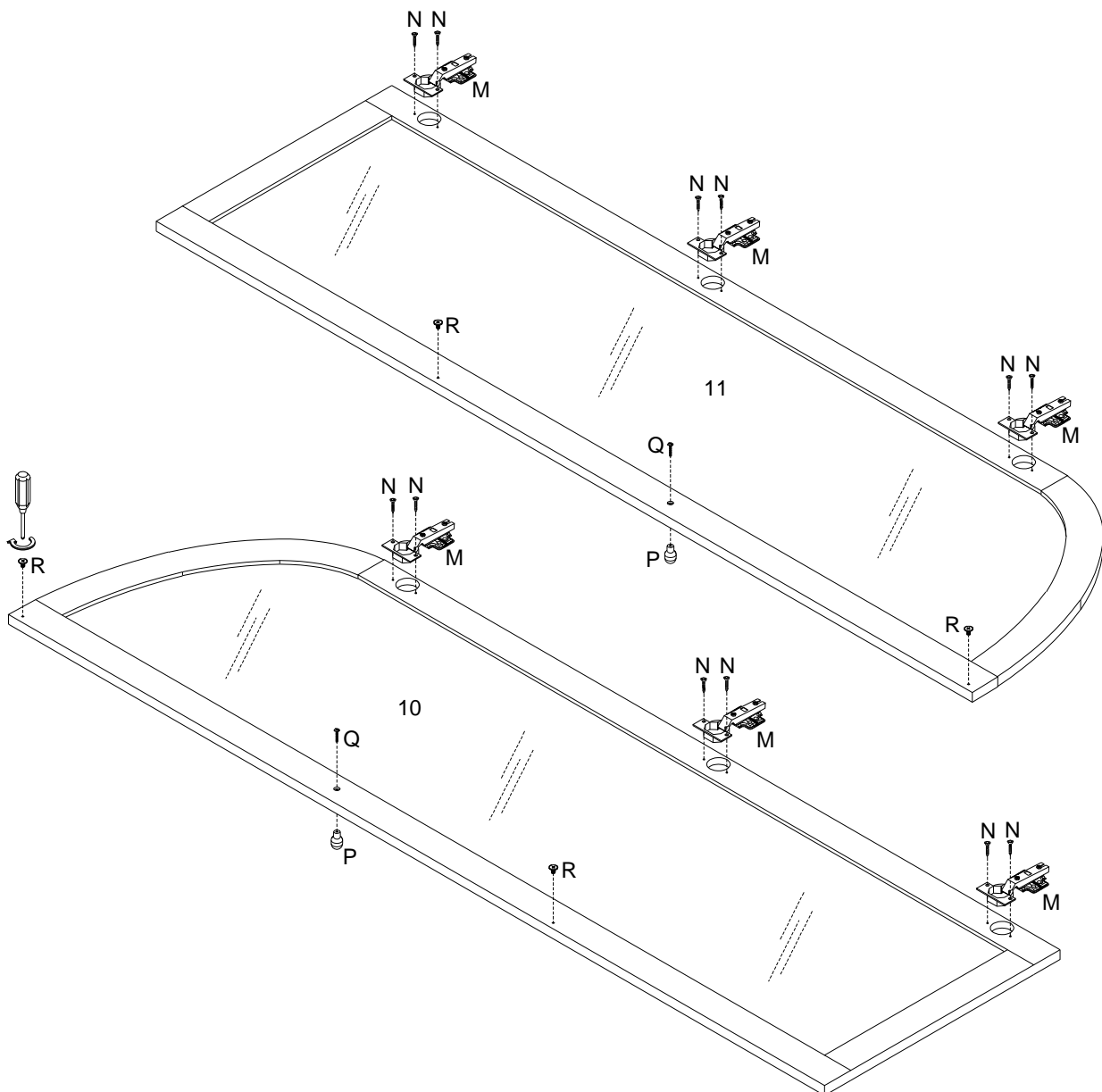
Reinserting your Cabinet Glides together

Line up the Drawer Member so it is inside the guides of the Cabinet Member. Once the connection is made, push the drawer into place entirely. It may not be a smooth glide on your first try, but will improve after it's fully inserted.



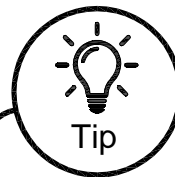
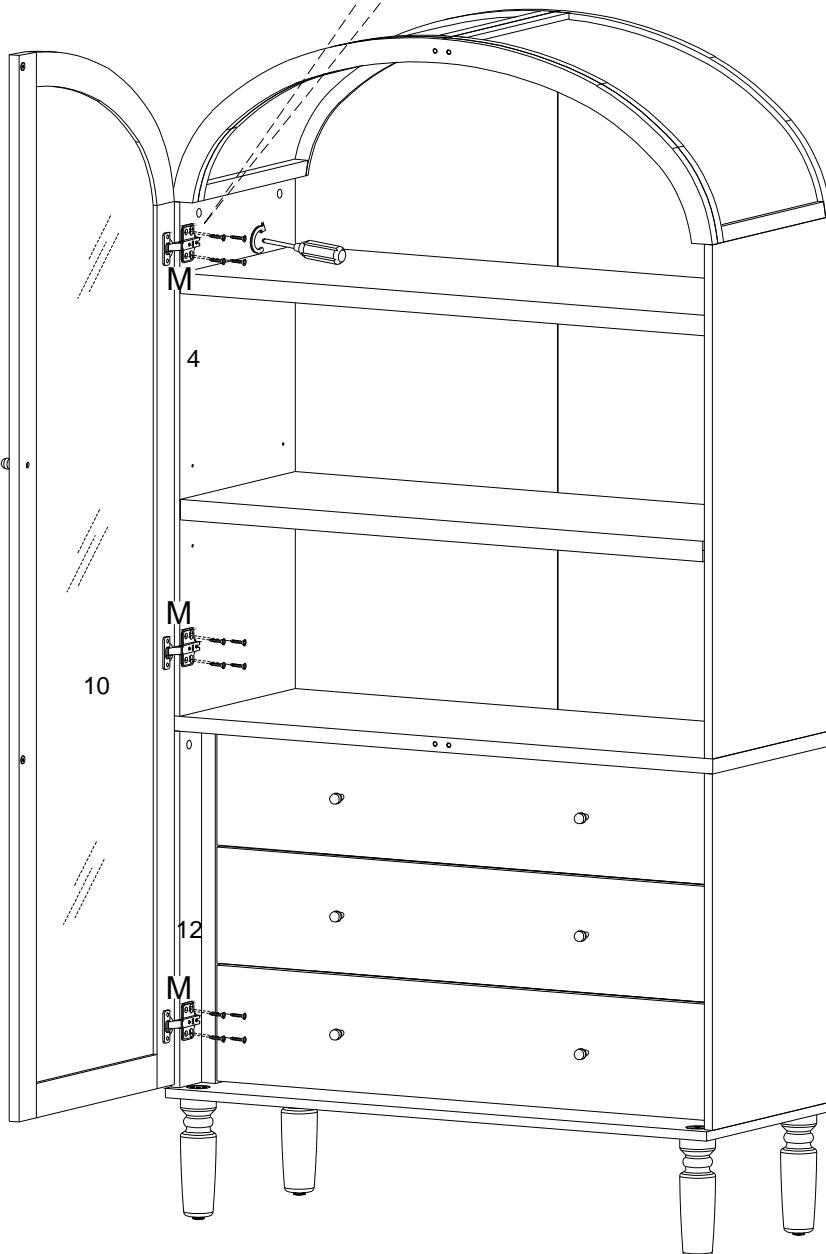
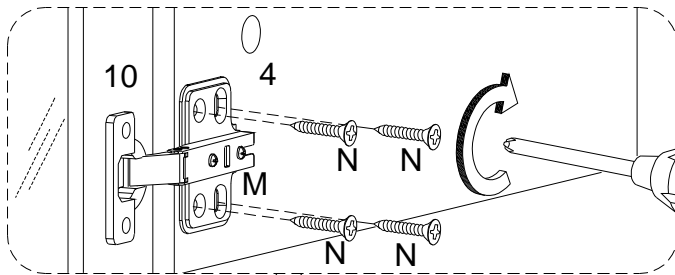
Step 27

Phew! Now that the drawers are done, let's move on to the doors. Take the Left Door Panel (10) and the Right Door Panel (11) and lay them flat. Insert the Hinges (M) and secure them with Screws (N). Then you'll want to add two Bolts (R) to each door. Finally, add the Handles (P) and secure them with the Handle Bolts (Q).

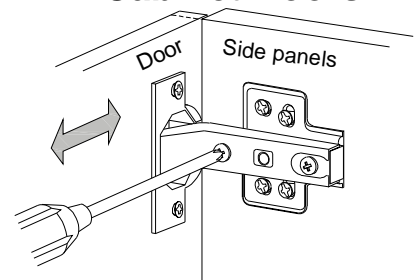


Step 28

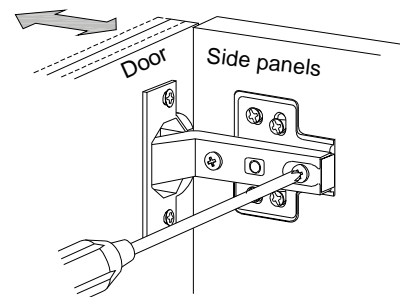
Secure the Left Door Panel (10) to the bookcase by lining the hinges up with the correct holes and secure it with Screws (N). For help with adjusting your doors, see the tip below!



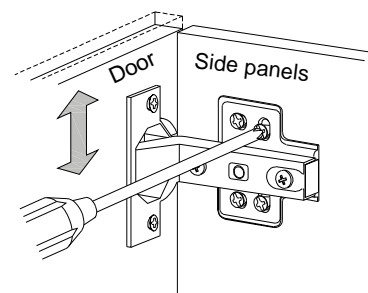
Adjusting The Cabinet Doors



Adjust horizontal width with this screw.



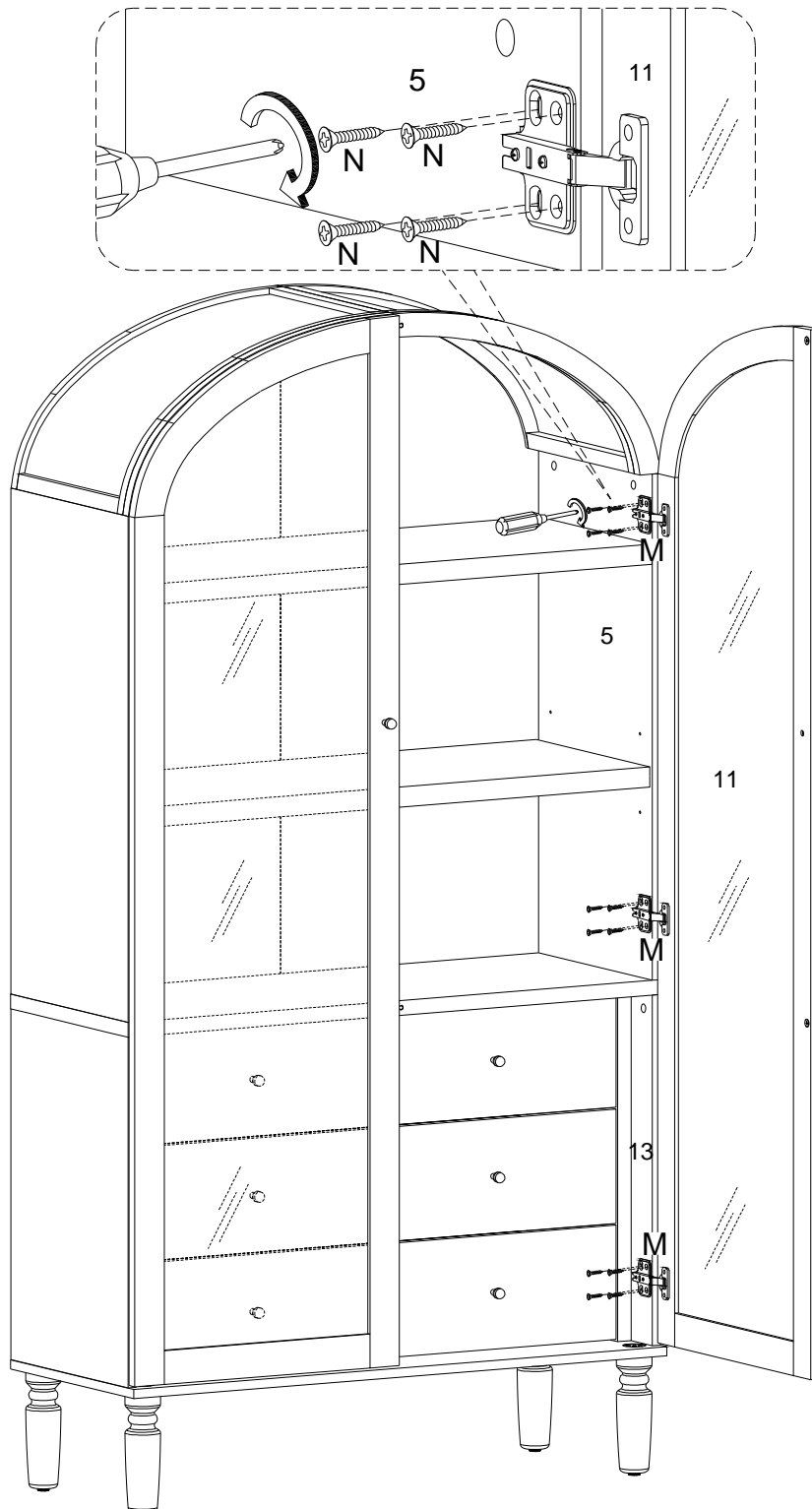
Adjust depth position by loosening the hinge arm mounting screw.



Adjust vertical height via the screws in the mounting plate.

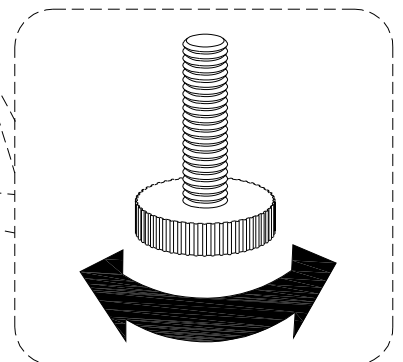
Step 29

Repeat the previous step with the Right Door Panel (11).



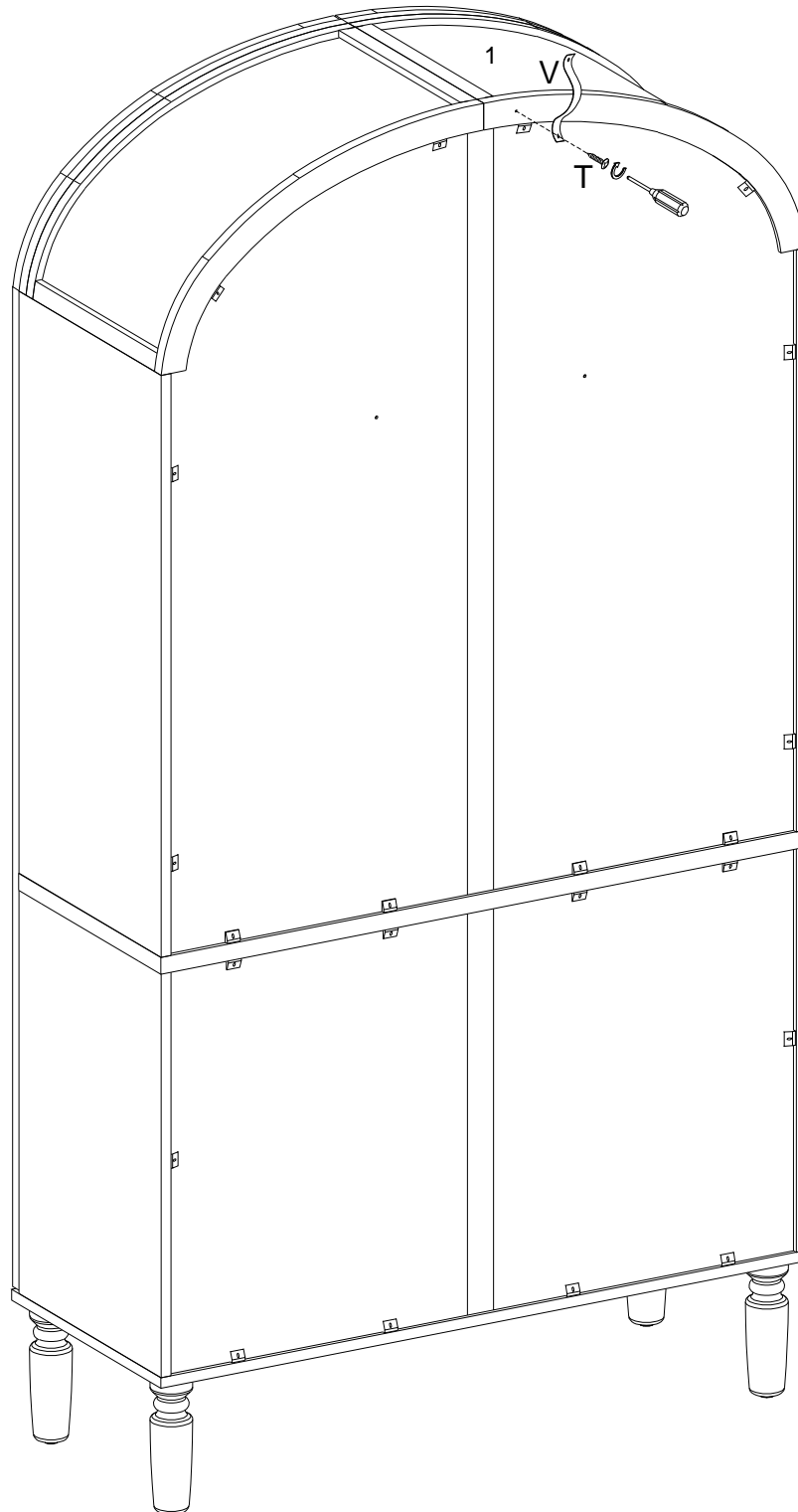
Step 30

Almost there! Let's just adjust those legs to create a level surface.



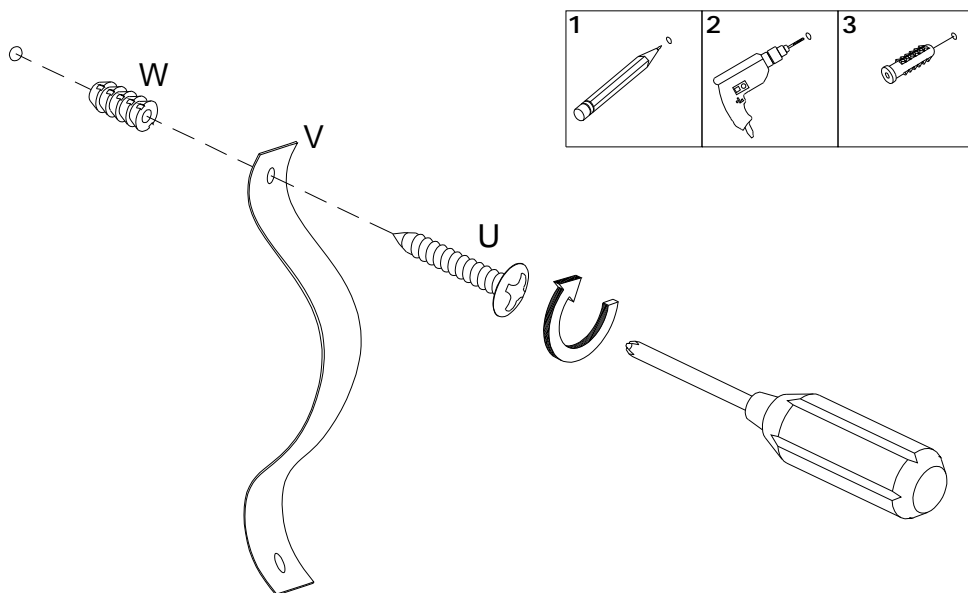
Step 31

We care about your safety, so before you can truly enjoy your new bookcase, let's attach the Plastic Strap (V) to the Top Left Arched Panel (1) with a Screw (T) and then...



Step 32

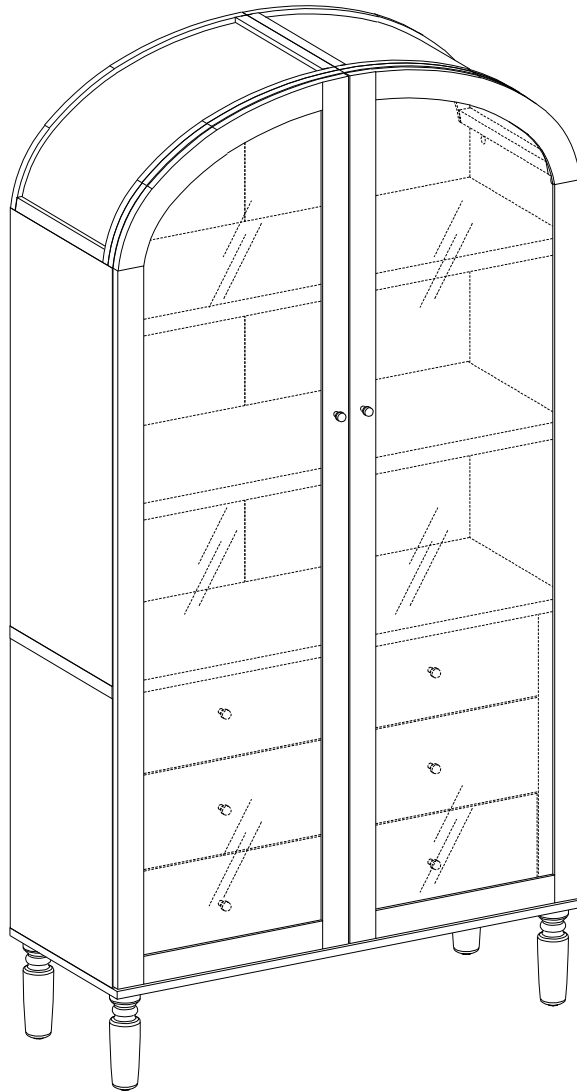
Just secure it to the wall using a Wall Anchor (W), the Plastic Stap (V) and a Screw (U). Final Assembly Now take a step back and admire your hard work!



Warning

Serious or fatal injuries can occur from furniture tipping over. To prevent the furniture from tipping over we recommend that it is permanently fixed to the wall. Wall anchor and hardware are included with this product. Please make sure hardware is suitable for your walls before installing, as different wall materials may require different types of anchors.

Final Assembly



Congratulations on your new piece of furniture!

We would love to hear about it and see it.
Please leave us a review or post a picture.