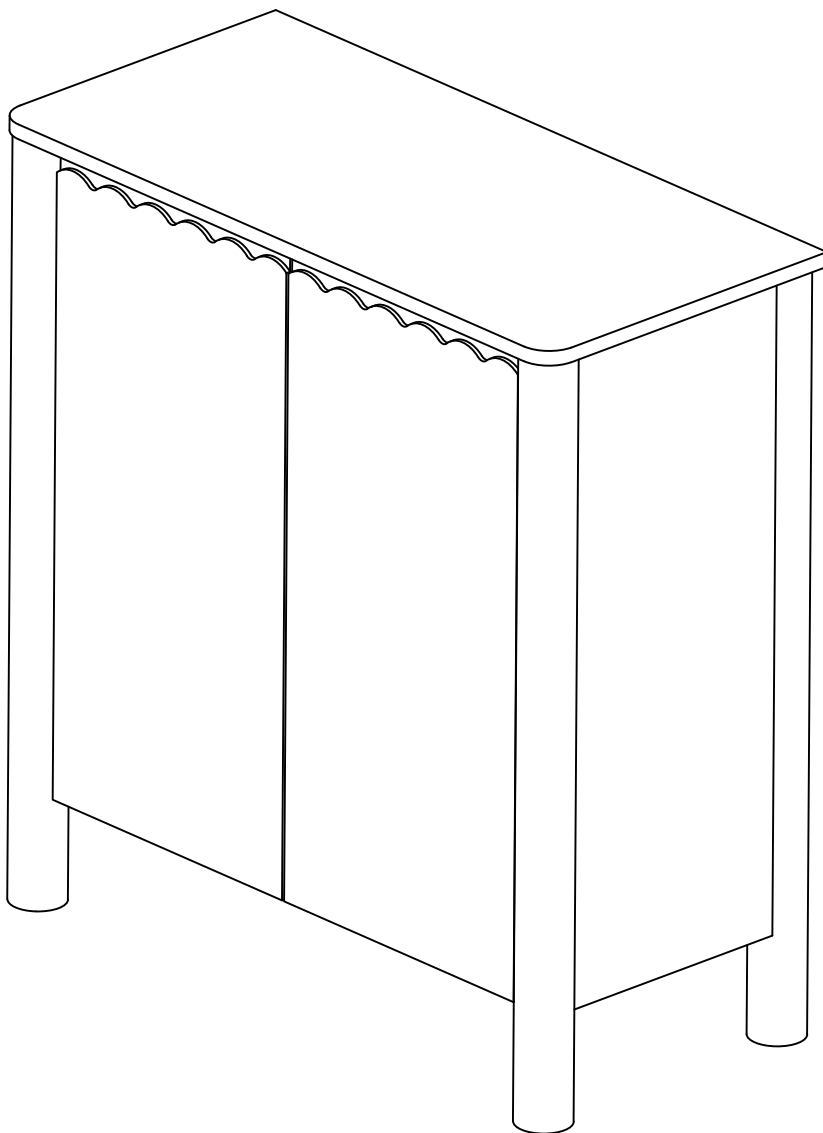


Assembly Instructions

Caution: You must read this before you proceed

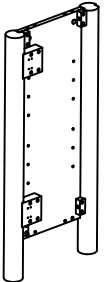
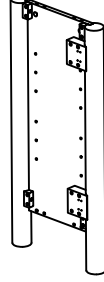
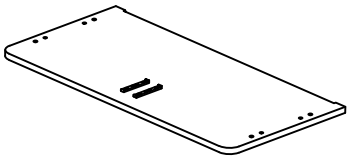
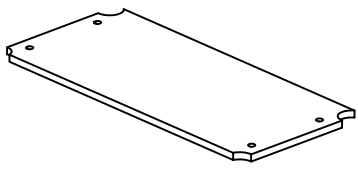
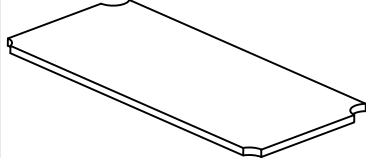
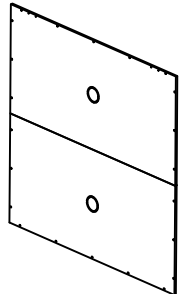
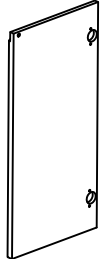
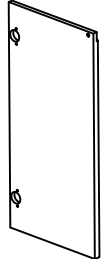
Storage Cabinet



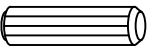
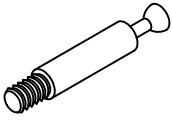

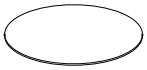
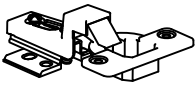
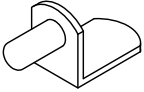


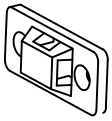
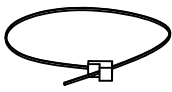
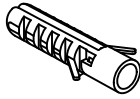



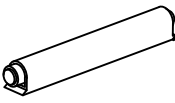
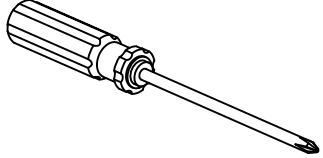
Product name:

Storage Cabinet

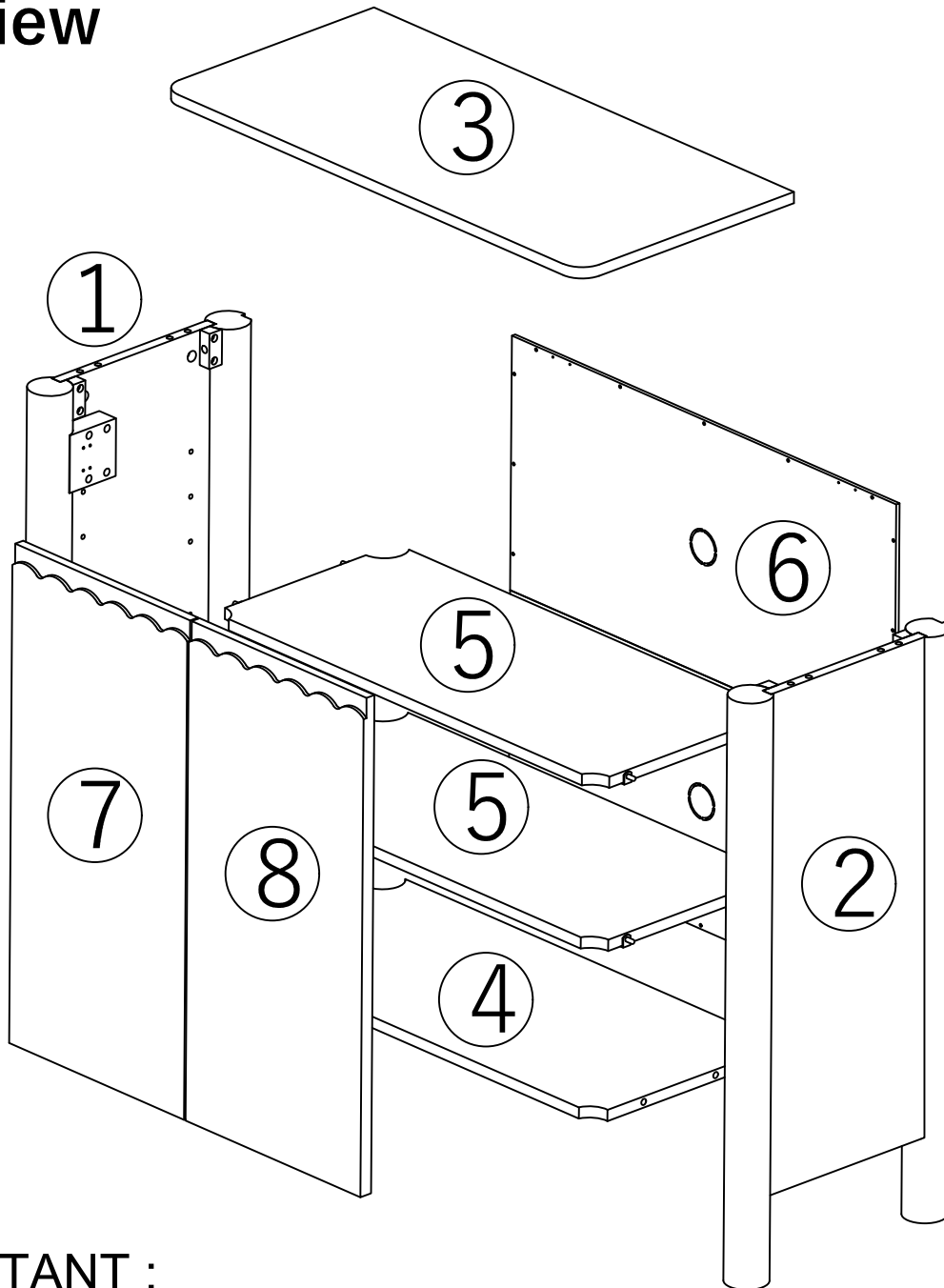
Parts list

<p>① The left side panel</p>  <p>x 1</p>	<p>② The right side panel</p>  <p>x 1</p>	<p>③ The top panel</p>  <p>x 1</p>	<p>④ The bottom panel</p>  <p>x 1</p>
<p>⑤ The adjustment shelves</p>  <p>x 2</p>	<p>⑥ The back panel</p>  <p>x 1</p>	<p>⑦ The left door</p>  <p>x 1</p>	<p>⑧ The right door</p>  <p>x 1</p>

Hardware

<p>A Wood dowels</p>  <p>x 8 pcs</p>	<p>B Cam bolts</p>  <p>x 8pcs</p>	<p>C Cam locks</p>  <p>x 8pcs</p>	<p>D Cam cover</p>  <p>x 8pcs</p>
<p>E Larger cuts for side doors</p>  <p>x 4 pcs</p>	<p>F Bracket</p>  <p>x 8pcs</p>	<p>G Ø4x16mm screws</p>  <p>x 24 pcs</p>	<p>H M3.5x15mm screws</p>  <p>x 22pcs</p>
<p>I Mounting Brackets</p>  <p>x 4pcs</p>	<p>J Nylon Restraint Strap</p>  <p>x 2pcs</p>	<p>K Plastic Anchor (Wall Plug)</p>  <p>x 4pcs</p>	<p>L M3x16mm</p>  <p>x 4pcs</p>
<p>M M3.5x35mm</p>  <p>x 4pcs</p>	<p>N Phillips/Hex L Wrench</p>  <p>x 1pc</p>	<p>O Buffer</p>  <p>x 2pcs</p>	<p>Tools required (not included):</p>  <p>x 1pc</p>

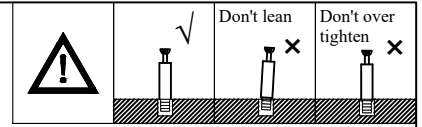
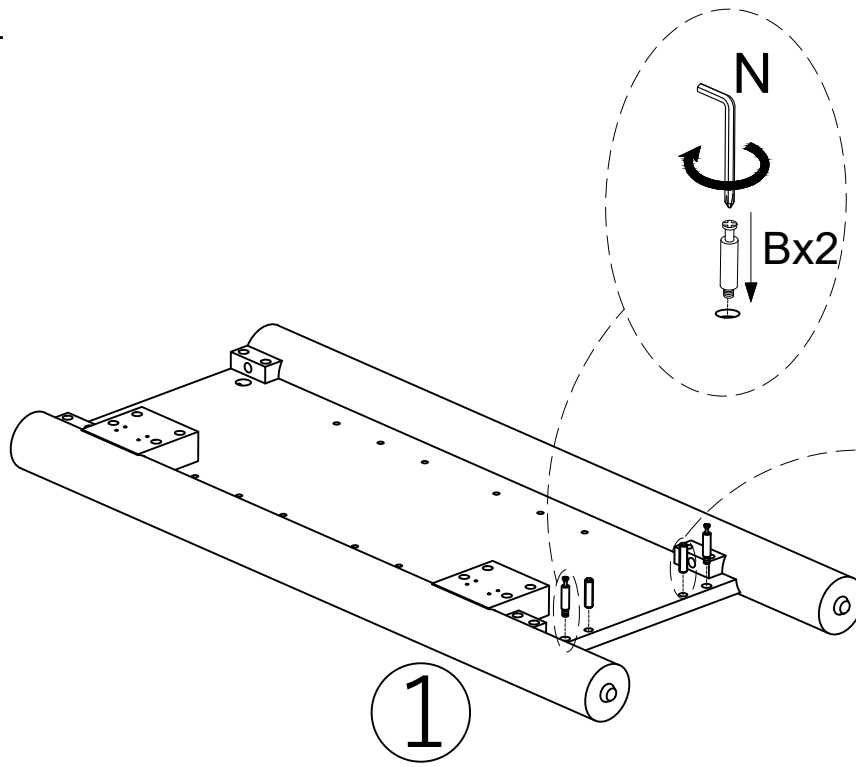
Overview



IMPORTANT :

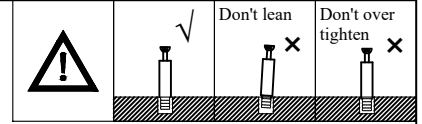
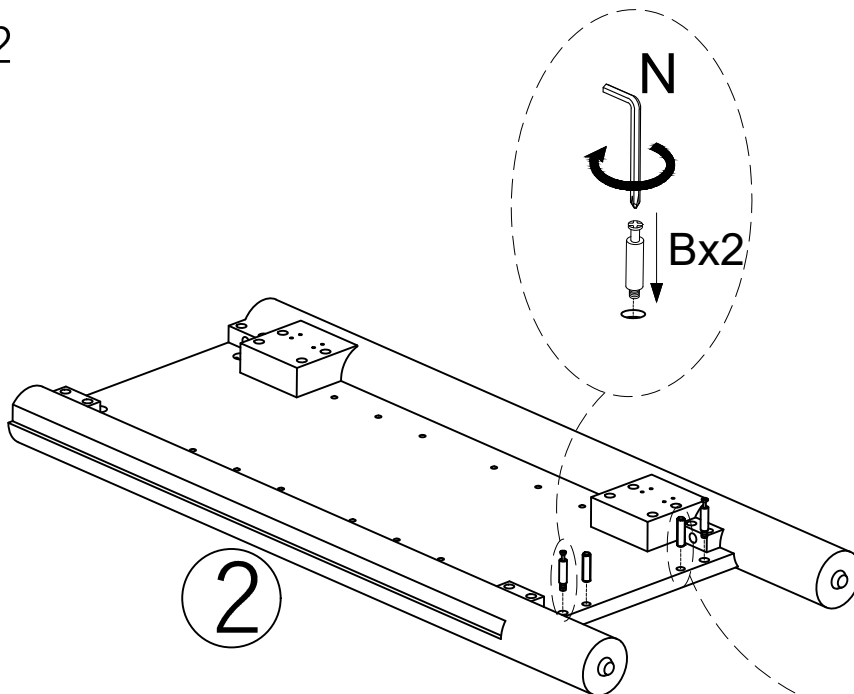
- Read the instructions carefully from cover to cover.
- Do not assemble on flooring or carpet.
- Assemble on a clean non-marring surface (packing foam).
- Save all packaging until finished.
- Do not tighten bolts / screws completely until all bolts / screws are lined up and inserted into holes.
- Do not over tighten screws and bolts to avoid stripping.
- Please always use hand tools to assemble this product and never use power tools.

Step 1



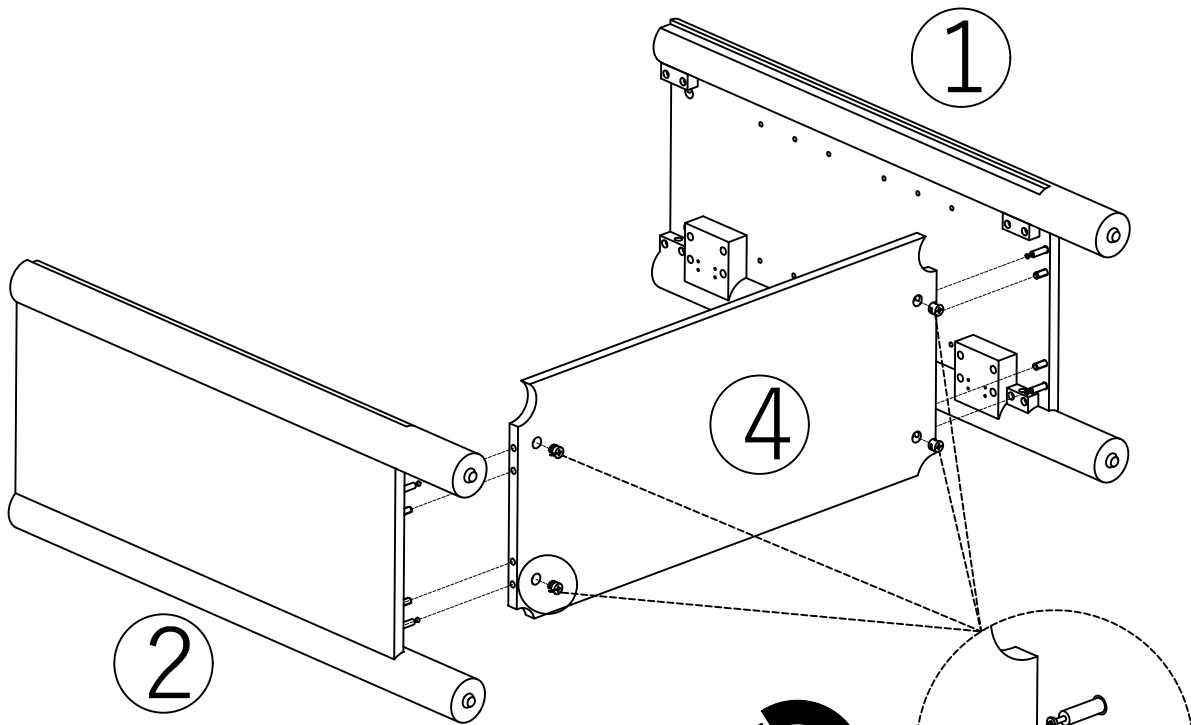
A Wood dowels 2PCS	B Cam bolt 2PCS	N Phillips/Hex L Wrench 1PC

Step 2



A Wood dowels 2PCS	B Cam bolt 2PCS	N Phillips/Hex L Wrench 1PC

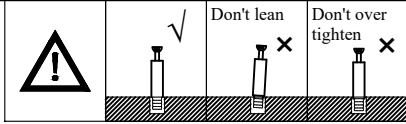
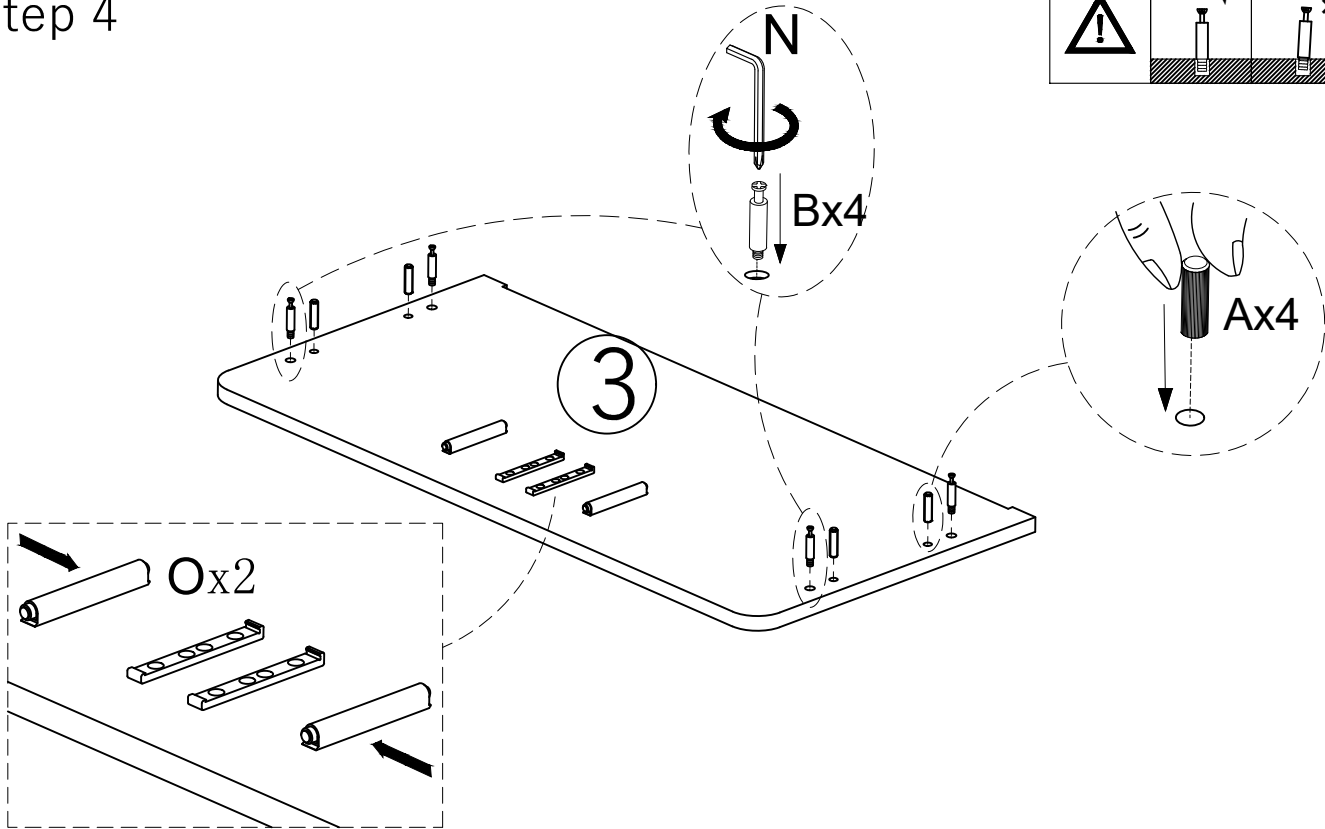
Step 3



**Tighten 100%
Cam locks**

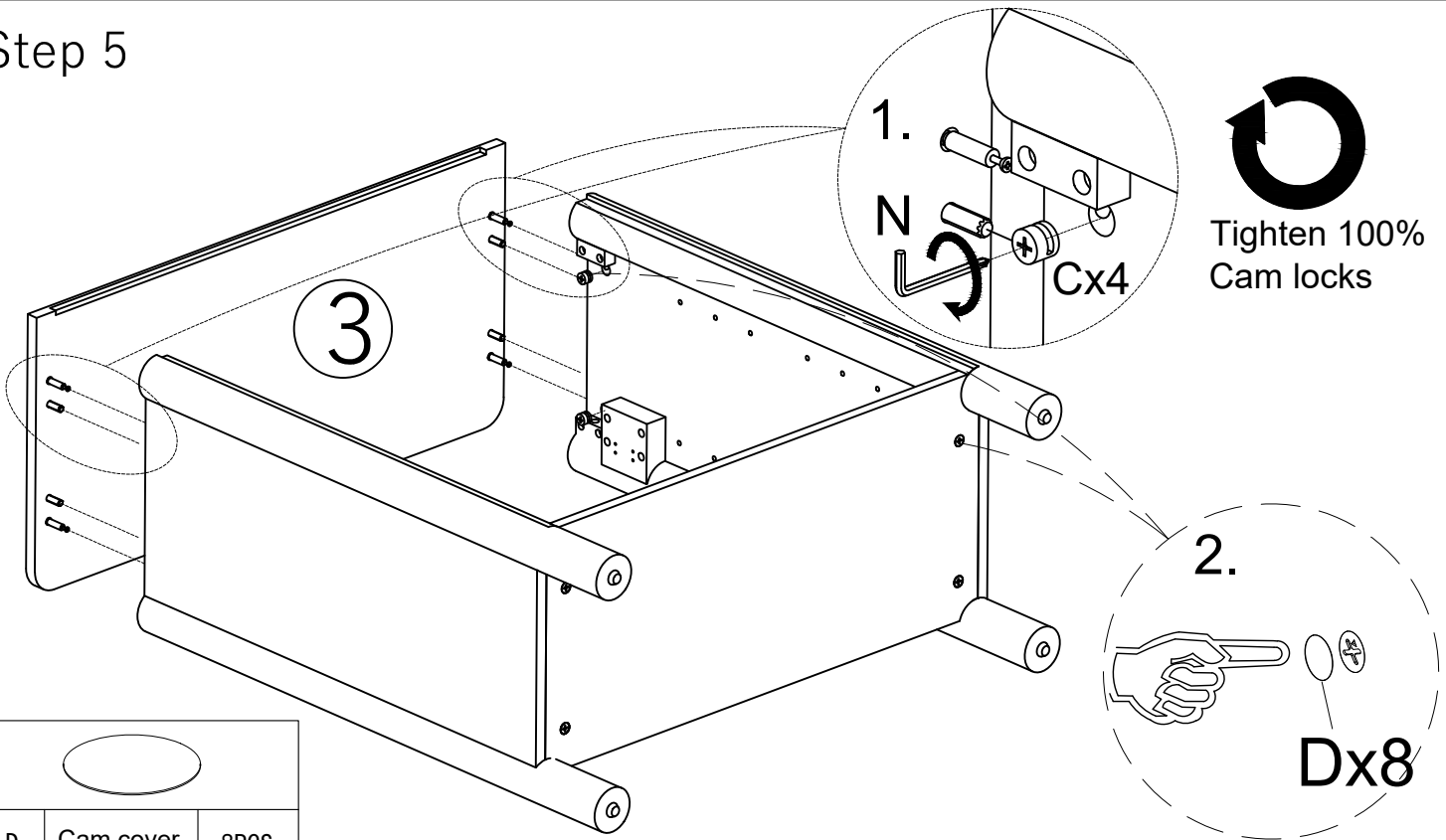
C	Cam locks	4PCS	N	Phillips/Hex L Wrench	1PC

Step 4



A	Wood dowels	4PCS	B	Cam bolt	4PCS
			N	Phillips/Hex L Wrench	1PC
			O	Buffer	2pcs

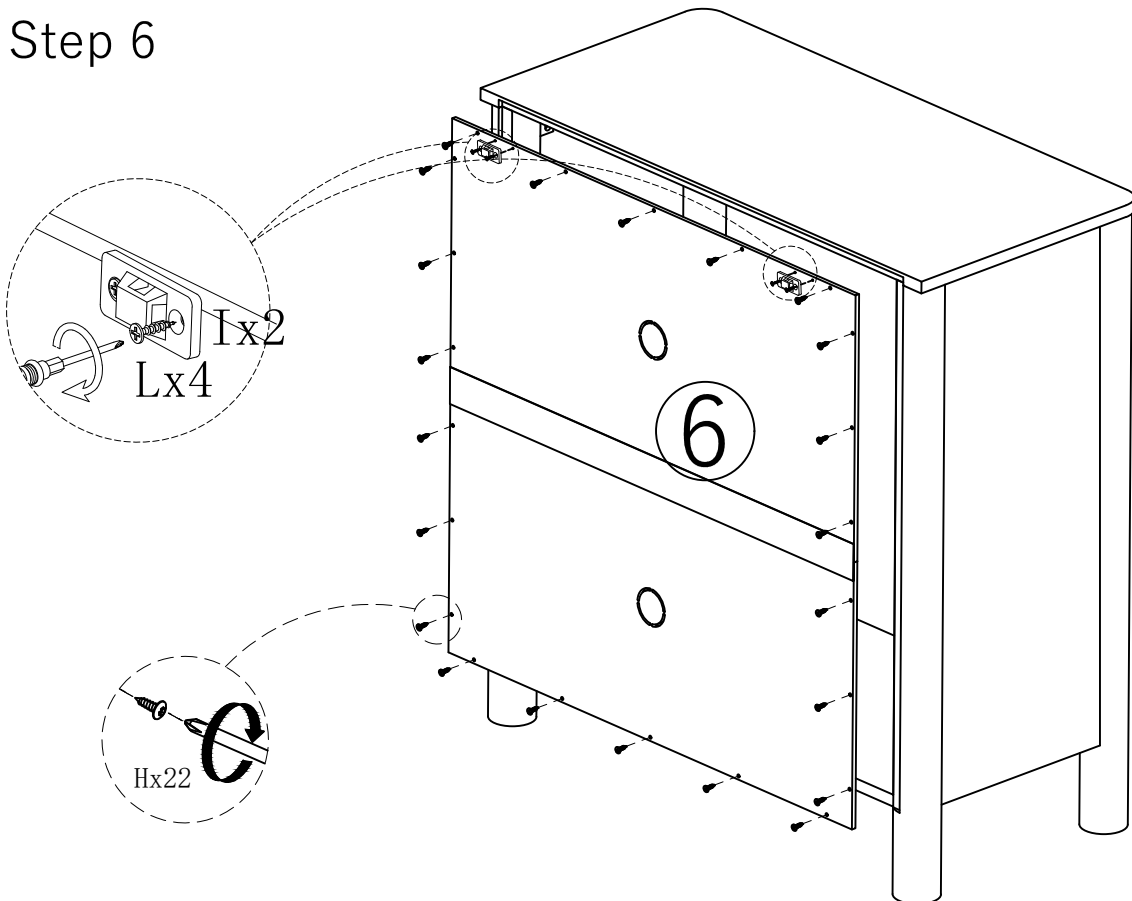
Step 5



D	Cam cover	8PCS

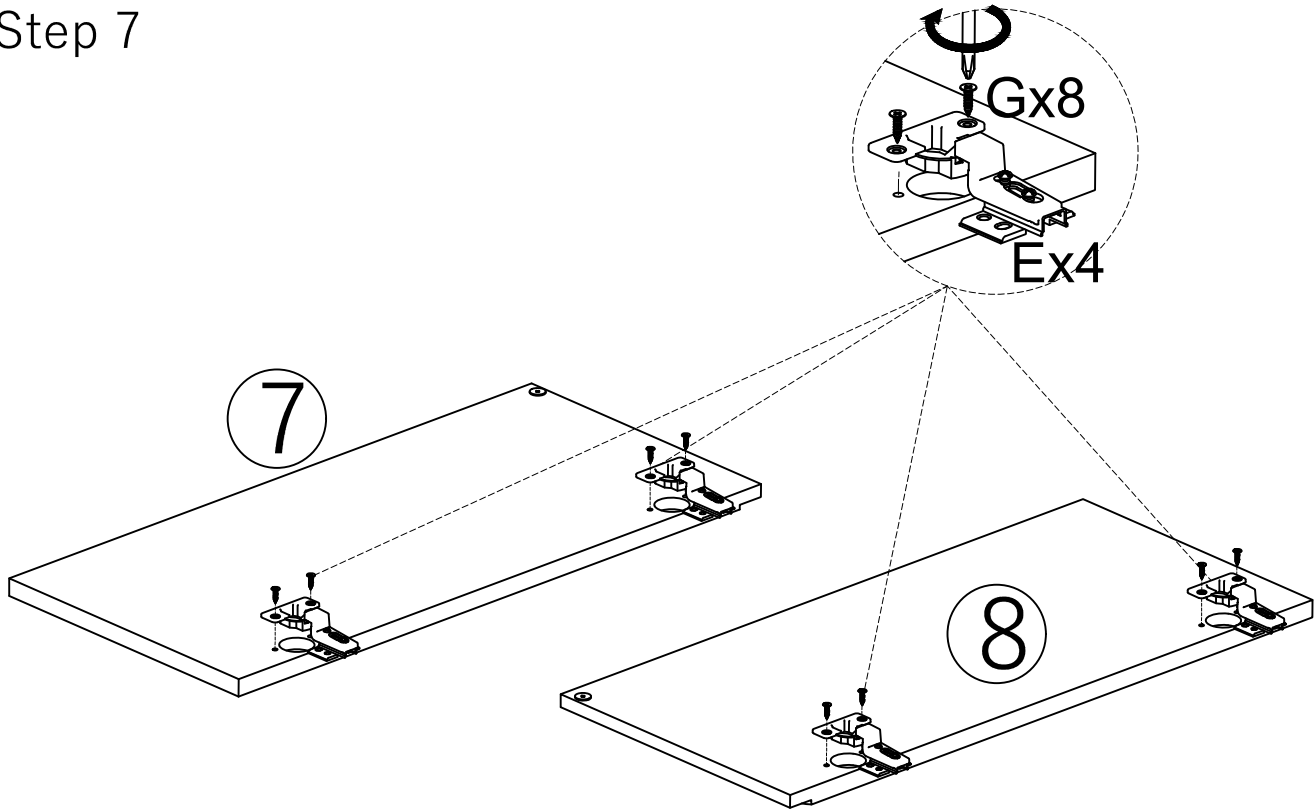
A	Ø1/4"*1-1/4" bolts	8PCS	C	Lock washers	8PCS	B	Flat washers	8PCS	D	Allen Wrench	1PC



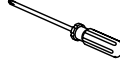
Step 6



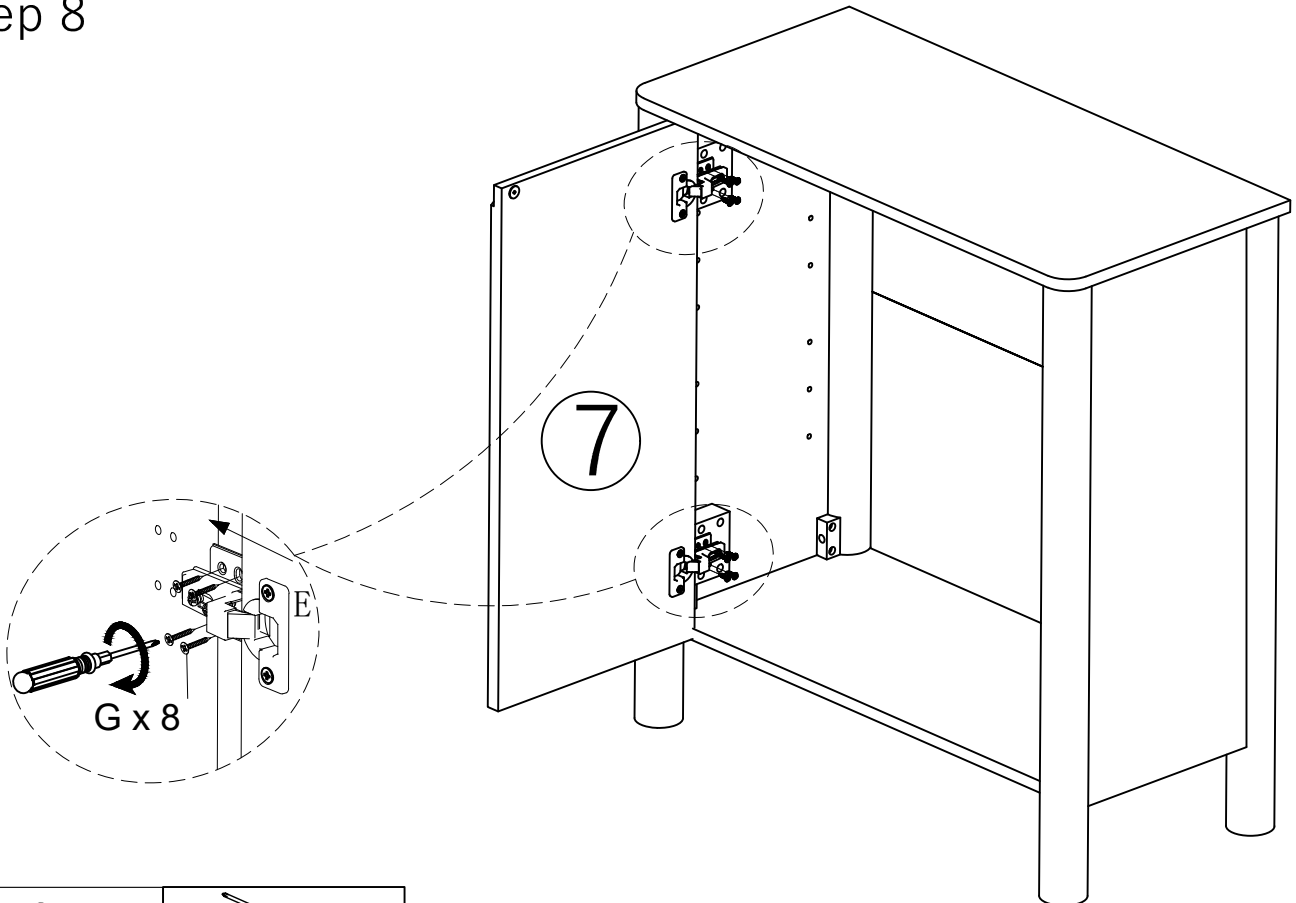
H	Ø3.5x15mm screws	22pcs	I	Mounting Brackets	2PCS	L	M3x16mm	4PCS	Not included		


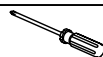
Step 7



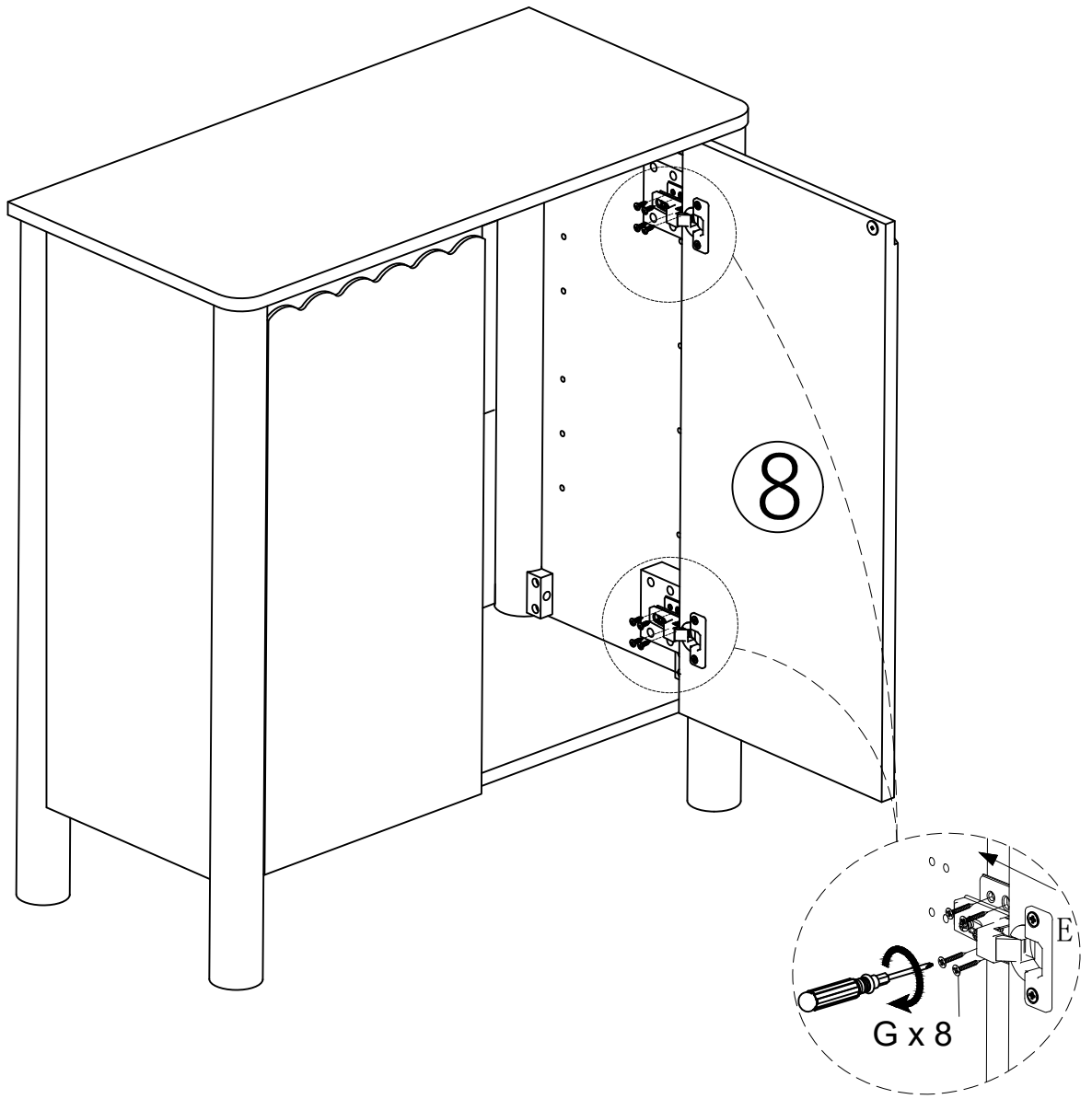
								
E	Larger cuts for side doors	4PCS	G	Ø4x16mm screws	8PCS	Not included		


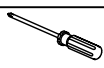
Step 8



					
G	Ø4x16mm screws	8PCS	Not included		

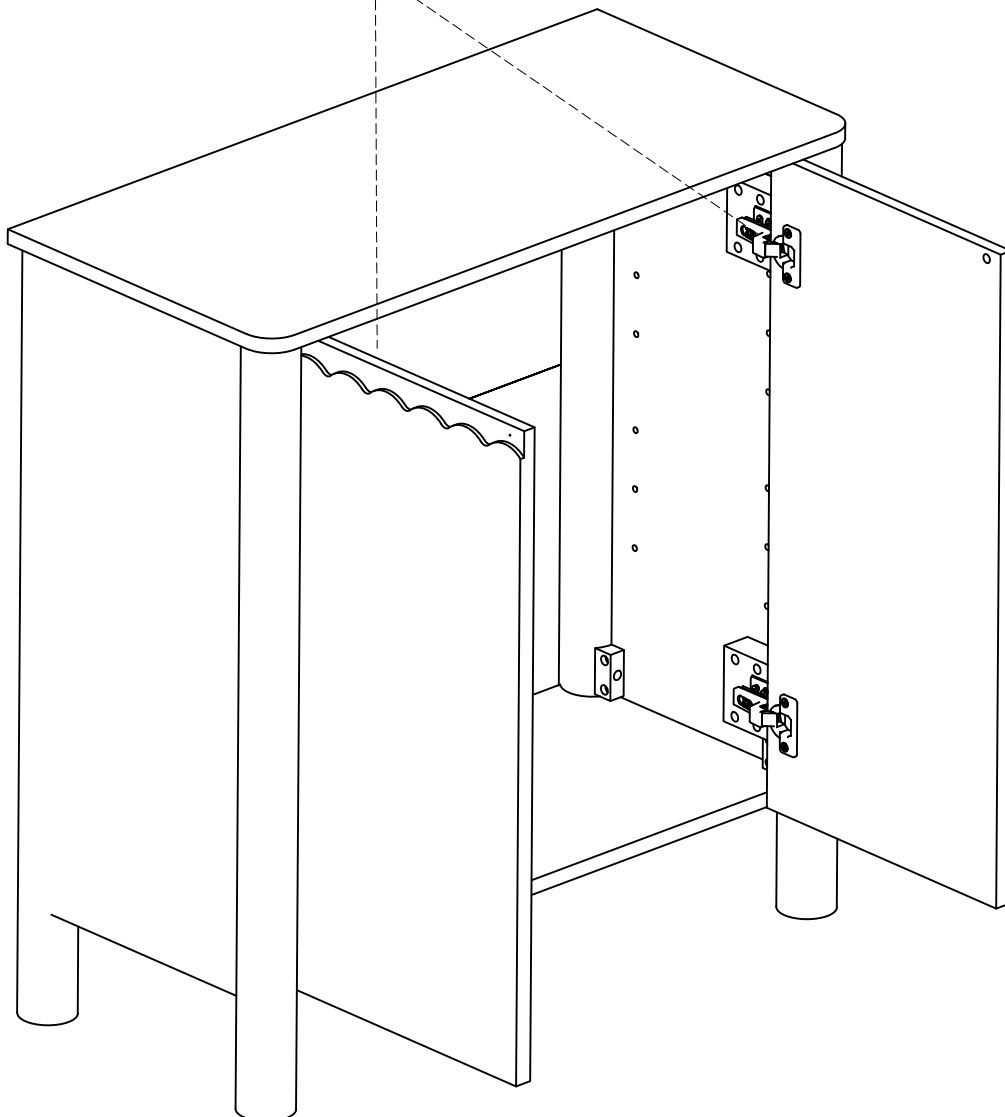
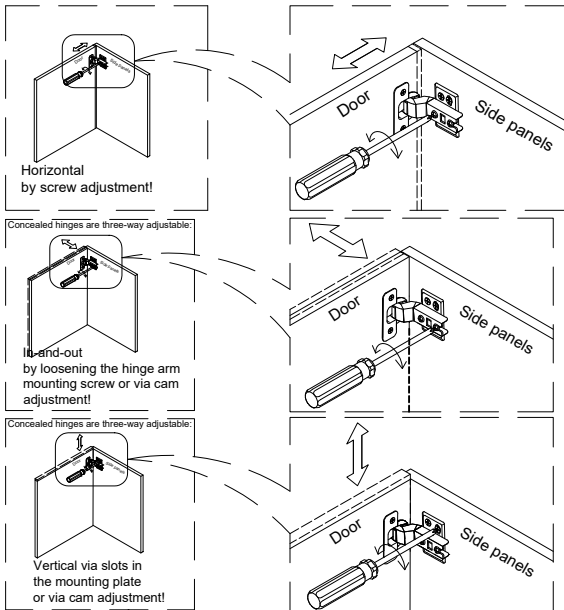
Step 9



		
G	Ø4x16mm screws	8PCS
		Not included

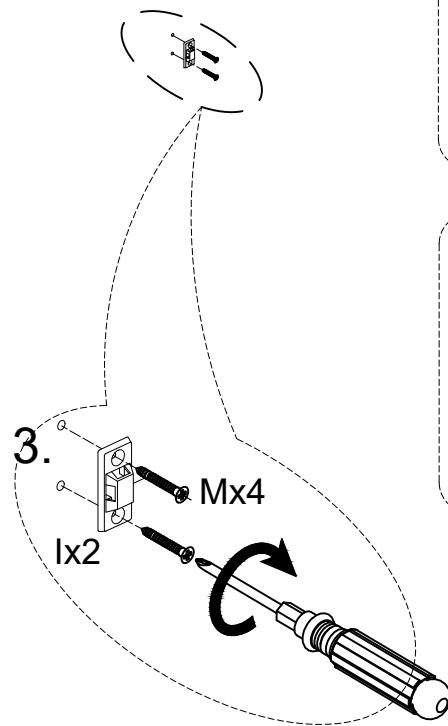
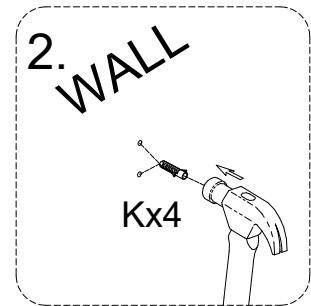
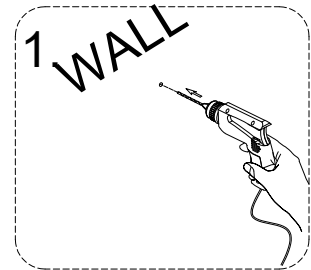
Step 10




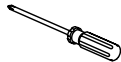
Note: Concealed hinges are three-way adjustable.



Step 11

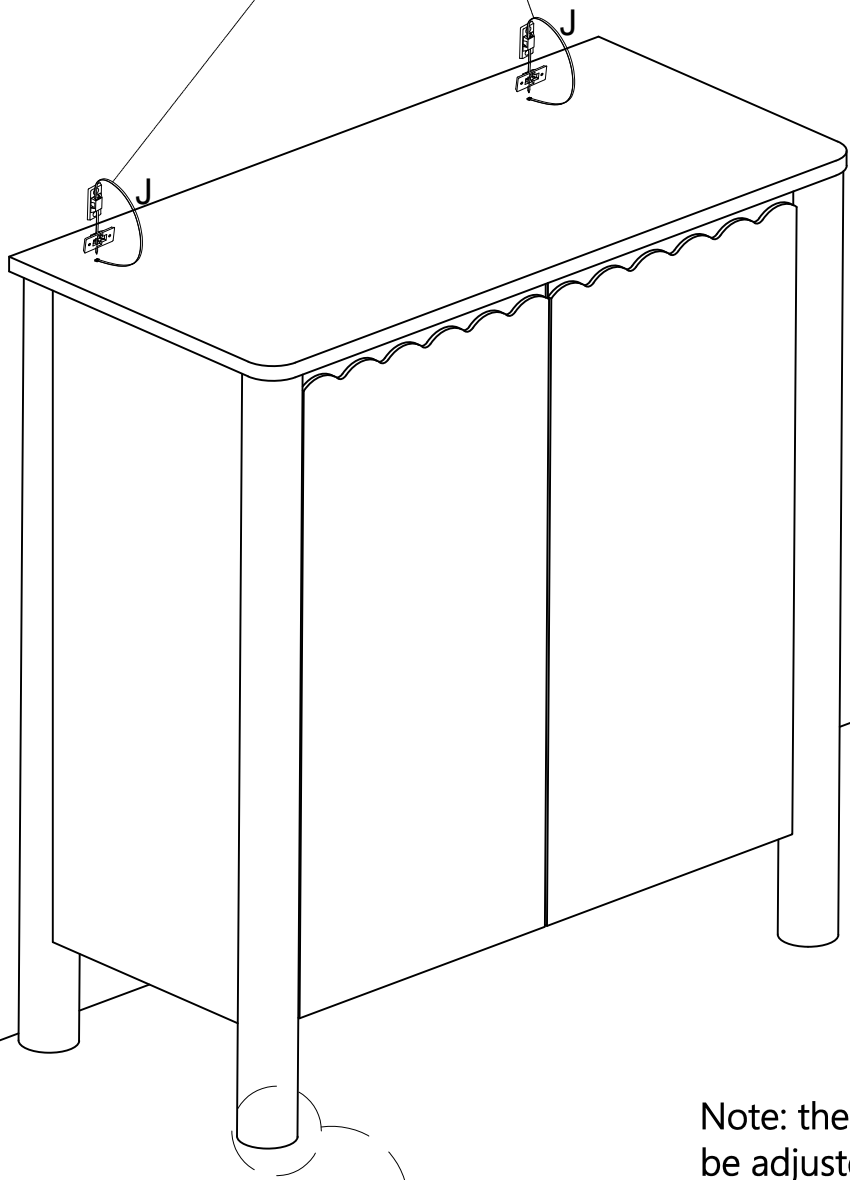
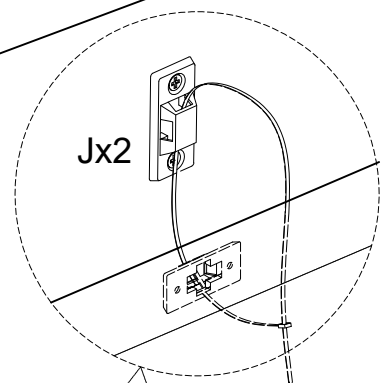
WALL



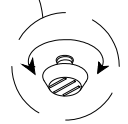
									
I	Mounting Brackets	2PCS	K	Plastic Anchor (Wall Plug)	4PCS	M	M3.5x35mm	4PCS	Not included

Step 12

WALL



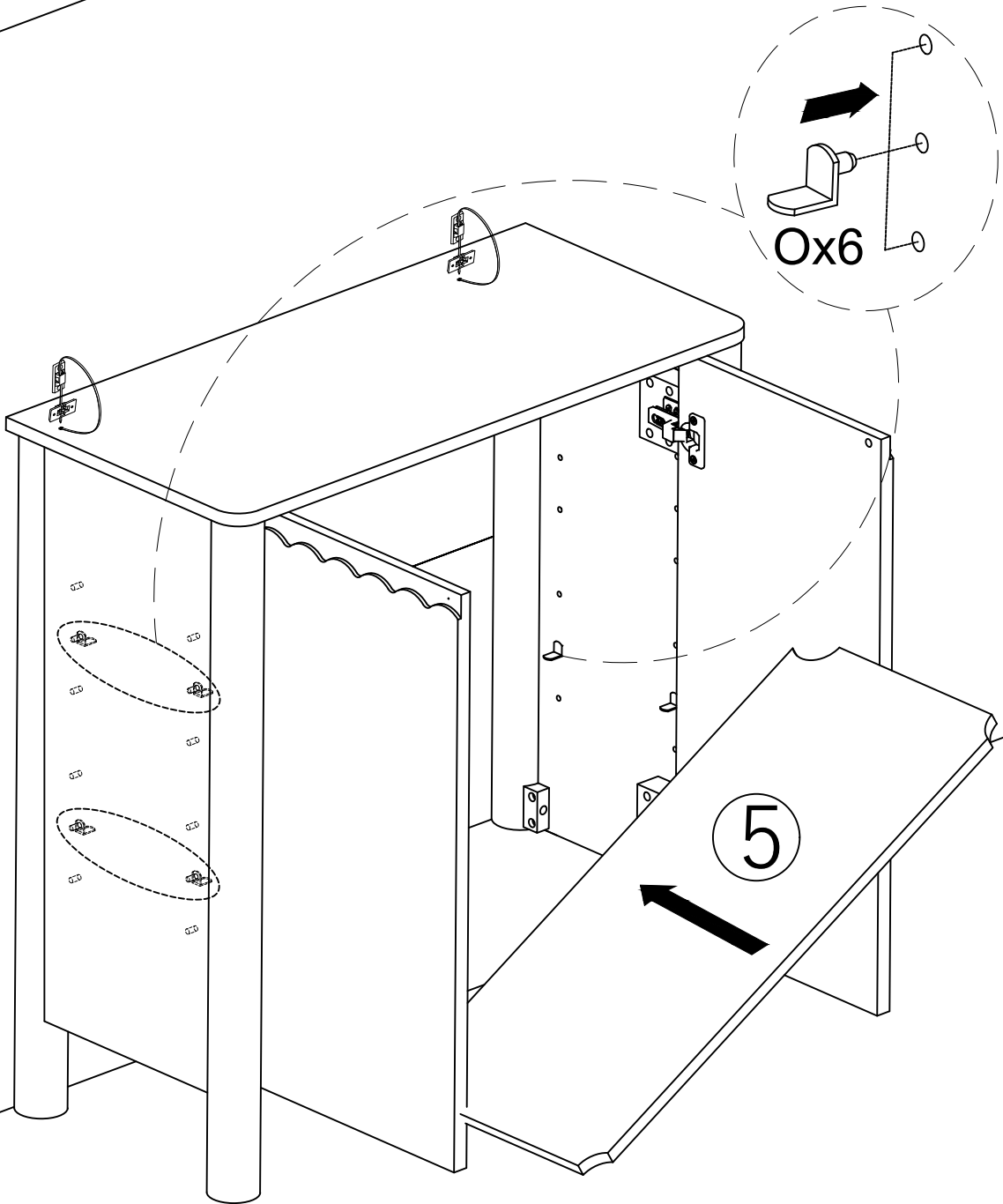
		
J	Nylon Restraint Strap	2PCS




Note: the legs can be adjusted with adjustable feet.

Step 13

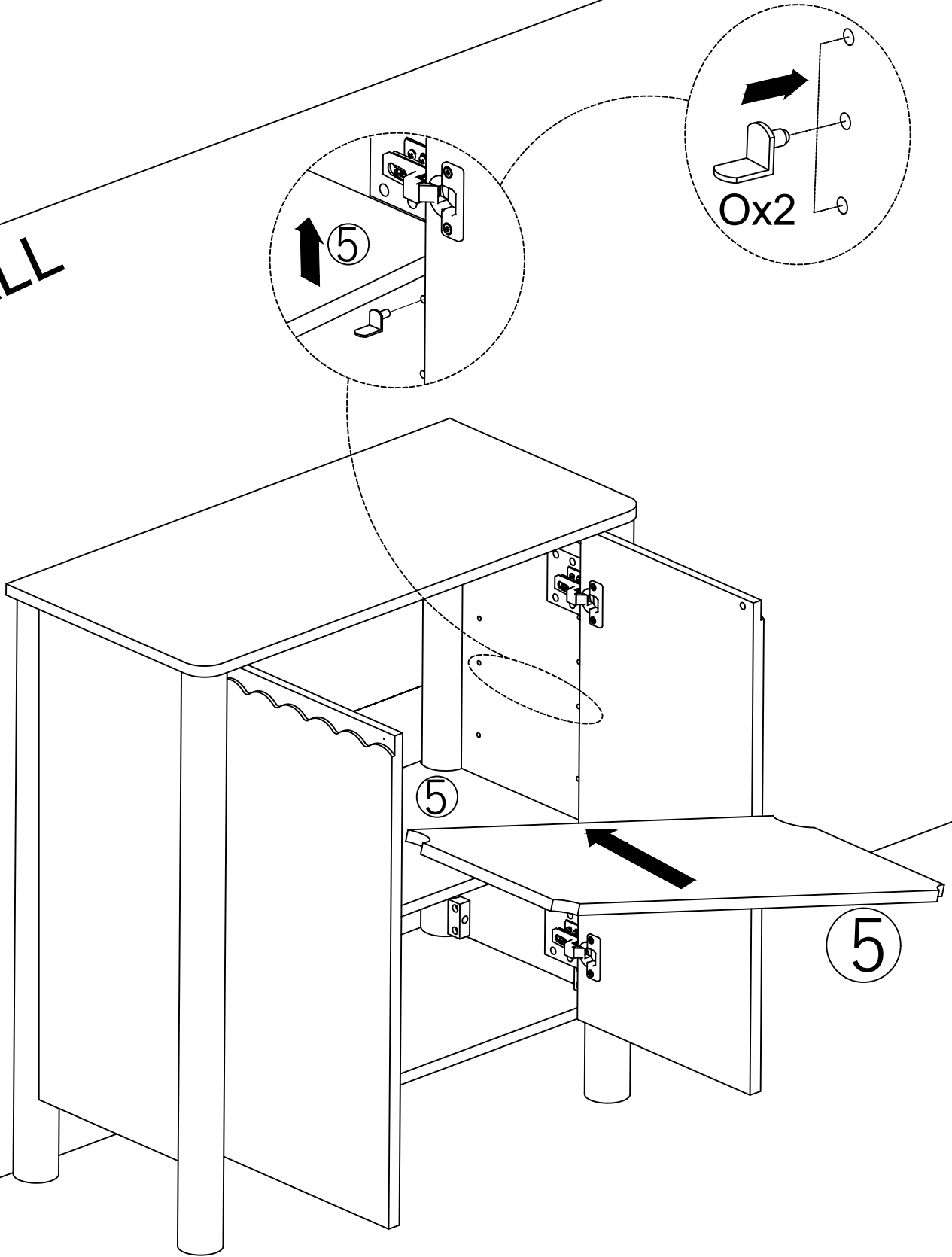
WALL




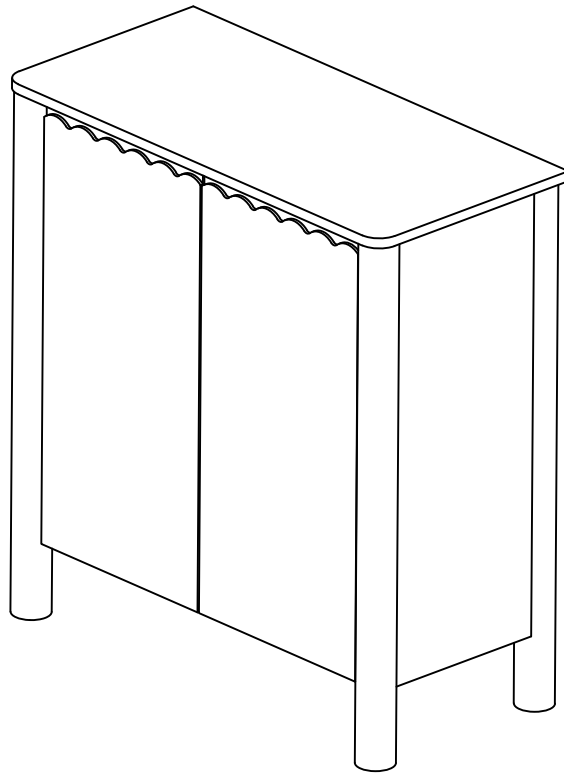
		
0	Bracket	6PCS

Step 14

WALL



		
0	Bracket	2PCS



Your Item is ready for use.
This Item should only be used on a flat, level surface.

Care & Maintenance

- Furniture may scratch the floor. We recommend using furniture pads to protect your floors.
- Avoid placing heavy objects on the tabletop.
- Do not put hot items directly on furniture surface.
- Do not clean furniture with harsh cleansers or polishers.
- Do not place furniture under direct sunlight.
- Do not place furniture near heating or cooling vents.
- Do not expose the product to high temperatures or humid environments.
- Do not write on furniture without a padded barrier to protect the surface.
- Do not place furniture outside. For indoor use only.
- Stains may be removed with mild soap solution and damp cloth.
- Children should not climb or jump on the furniture.
- Dust and clean up spills using a clean, non-colored, lint-free cloth.
- Regularly check screws to ensure stability.

Dear Customer,

Thank you for your purchase! We are committed to providing you with high-quality products and services. We hope you enjoy the comfort and convenience brought by this Item. If you have any further questions or any quality issues, please don't hesitate to contact our Customer Service People: