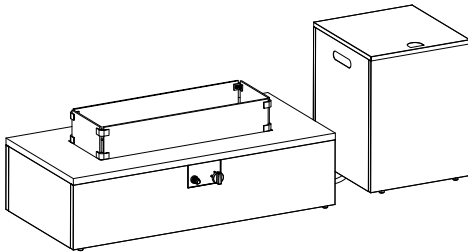


Model: RY43-0025



INSTALLER:
Leave this manual with
the appliance.
CONSUMER:
Retain this manual for
future reference.



DANGER

CARBON MONOXIDE HAZARD

This appliance can produce carbon monoxide which has no odor.

Using it in an enclosed space can kill you.

Never use this appliance in an enclosed space such as a camper, tent, car or home.

DANGER

FIRE OR EXPLOSION HAZARD

If you smell gas:

- Shut off gas to the appliance.
- Extinguish any open flame.
- If odor continues, leave the area immediately.
- After leaving the area, call your gas supplier or fire department.

Failure to follow these instructions could result in fire or explosion, which could cause property damage, personal injury, or death.

WARNING

Do not store or use gasoline or other flammable vapors and liquids in the vicinity of this or any other appliance. An LP-cylinder not connected for use shall not be stored in the vicinity of this or any other appliance.

WARNING

For outdoor use only. Installation and service must be performed by a qualified installer, service agency, or the gas supplier.

WARNING

If the information in this manual is not followed exactly, a fire or explosion may result causing property damage, personal injury, or loss of life.

Improper installation, adjustment, alteration, service or maintenance can cause injury or property damage. Refer to the owner's information manual provided with this appliance. For assistance or additional information consult a qualified installer, services agency or the gas supplier.

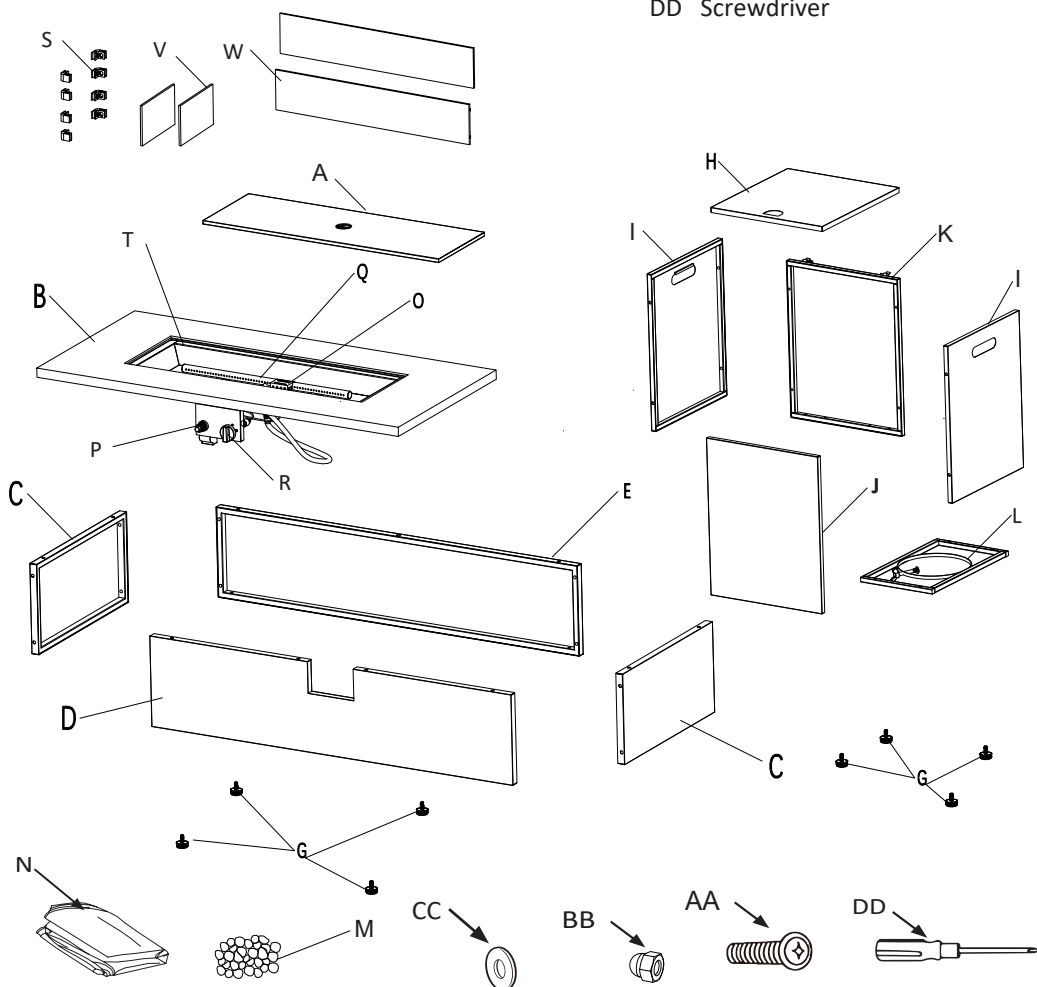
Table of contents

Parts list	3
Safety instructions	5
Assembly instructions	9
User instructions	14
Cleaning and maintenance	15
Other useful information	15
Storing	15
Environmental protection	15
Service center	20

Main part

- A Lid
- B Table top
- C Side panel (x2)
- D Front panel
- E Back panel
- G Feet (x8)
- H Iron tank door
- I Iron tank side panel (x2)
- J Iron tank front panel
- K Iron tank back panel
- L Metal Stand

- O Guard (preassembled)
- T Firebowl (preassembled)
- Q Burner(preassembled)
- R Control knob
- S Glass Clamp (x8)
- V Glass Short Plane (x2)
- W Glass Long Plane (x2)
- M Lava Rocks
- N Protective Cover
- AA M6x30 screw (x32)
- BB M6 nut
- CC Washer (x31)
- DD Screwdriver



General information

Before you assemble or operate this unit, please carefully read this entire manual. Failure to do so may result in a fire, explosion, injury or death.

WARNING

1. The installation of this unit must adhere to local codes or Propane Storage and Handling Code, CSA B149.2
2. **THIS UNIT IS INTENDED FOR OUTDOOR USE ONLY!** This product shall be used outdoors, in a ventilated space and shall not be used in any enclosed area.
3. This unit is to be used with propane gas only! (sold separately)
4. Do not attach a remote gas supply to this unit.
5. Only use propane gas for this unit.
6. This unit is not intended for natural gas.
7. Converting this unit to natural gas is dangerous and not recommended. The conversion of this unit will void the manufacturer warranty.
8. Do not use any solid fuel or charcoal for this unit.
9. When igniting this unit, stay away from the burner as the flame will light up and may cause injury.
10. **LP GAS WARNING:** Do not use any more than 1/4in depth lava rocks/pumice stones/Lava Rocks™ above the burner holes. Doing so will suffocate the flame.
11. If the propane gas tank is leaking gas, you may hear, see, or smell a hiss. Do the following:
 1. Disconnect the propane gas tank.
 2. Do not attempt to fix the problem yourself.
 3. Contact your gas supplier or fire department for help.
12. Applying too much propane may result in gas pooling and will not burn. Allow fresh air into the unit so that the remaining gas may escape.
13. Do not use a flame to check for gas leaks.
14. Manifold pressure: 11 inch w.c. (2.74kPa).
15. Use LP propane tanks with the following dimensions: diameter 12 in, height 18 in.
16. You must use a propane tank that has a collar to protect the gas valve.
17. **DO NOT** fill tank over 80 percent full.
18. The tank system must be set up for vapor withdrawal.
19. Discontinue use if any part of the propane tank is damaged. Rust and dents may be hazardous and should be inspected by a gas supplier.
20. Do not burn anything other than the provided materials for this fire table.
21. Keep away from the unit for the first 20 minutes after igniting your unit for the first time, as lava rocks/pumice stones/Lava Rocks™ could pop out and cause injury. Should any rocks pop out, discard them.
22. Always ensure that lava rocks/pumice stones/Lava Rocks™ are completely dry before use. Failure to do so will cause them to crack or pop.
23. Do not operate unit until all parts are fully assembled.
24. Do not paint or color any part of this heating unit.
25. Unit may be hot while in use, do not attempt to move it while in use.
26. Never leave this heating unit unattended while in use.
27. This unit is not intended for cooking.
28. Keep any flammable items away and do not use any other fireplace cover for this unit.
29. Keep a safe distance to avoid burning skin or clothing.
30. Do not sit or rest hands or feet on this heating unit.
31. Never place hands or fingers on upper portion of this unit while in use.
32. Keep all electrical cords and fuel supply hose away from heated surfaces.
33. Combustible material should not be within 60 inches of the top of the unit, or

within 48 inches around the entire unit.

34. Keep the appliance area clear and free from combustible material, gasoline and other flammable vapors and liquids.
35. If the flame goes out while burning, turn the gas valve off. Wait 5 minutes before repeating the initial lighting procedure. Once you have a flame started, hold down the control knob for 1 minute.
36. Do not add water into the unit.
37. Do not operate unit if any part has been under water. Call a service technician to replace any damaged parts should this occur.
38. Do not disconnect any part while unit is in use.
39. Do not store a spare propane tank on or near this unit.
40. If the heating unit is indoors, detach the propane tank and leave outdoors.
41. Do not operate on a boat or vehicle. This unit must be used on a flat surface and outdoors ONLY.
42. Always remove protective cover before operating (if applicable).
43. Do not set the protective cover over the unit until it is turned off and completely cooled down.
44. Check for leaks after not using the unit for long periods of time.
45. Children should never operate this unit. Children must be supervised while near this unit.
46. Keep gas tank at least 5 feet away from unit when lit. (if external tank)
47. Maximum gas supply: 250 psi; Min. gas supply: 10 psi.
48. All installation and repair should be done by a qualified professional. This unit should be inspected annually and cleaned regularly.
49. Inspect all elements of this heating unit before each use. If there is damage, the burner must be replaced.
50. Keep the hose out from any pathways to eliminate any accidental damage. (if external tank)
51. Be aware of the hazards of high temperatures and stay away from the unit to avoid any burns or injury.
52. The gas supply tank should be constructed and marked with the specifications for the LP gas tanks of the U.S. Department of Transportation or the National Standard of Canada CAN/CSA-B339, LP gas tanks, spheres and tubes for Transportation of Dangerous Goods; and Commission.
53. The LP gas tank must have a listed overfilling prevention device and a QCCI or Type I, (CGA791) LP gas tank connection.
54. This heating appliance should not be used on plastic or artificial wood decks.
55. Children and adults should be alerted to the hazards of high surface temperatures and should stay away to avoid burns or clothing ignition.
56. Young children should be carefully supervised when they are in the area of the appliance.
57. Clothing or other flammable materials should not be hung from the appliance or placed on or near the appliance.
58. Any guard or other protective device removed for servicing the appliance shall be replaced prior to operating the appliance.
59. Installation and repair should be done by a qualified service person. The appliance should be inspected before use and at least annually by a qualified service person. More frequent cleaning may be required as necessary. It is imperative that the control compartment, burners and circulating airways of the appliance are kept clean.

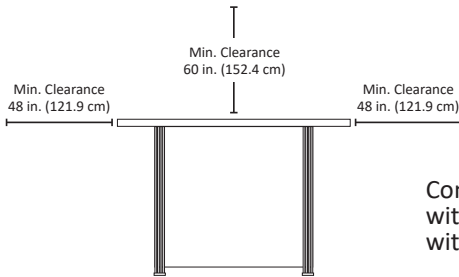
IF APPLICABLE:

60. Allow heating item to cool completely before placing on lid.
61. DO NOT use heating item while lid is installed. Always remove the lid while heating item is in use.

Only use the regulator and hose assembly provided with this unit.

Inspect the burner before use of this unit. If the burner shows any kind of damage, do not operate the appliance.

NOTE: You must follow all steps to properly assemble this heating item. Make sure the gas valve is turned "OFF" before assembling. Do NOT attempt to assemble without proper tools.

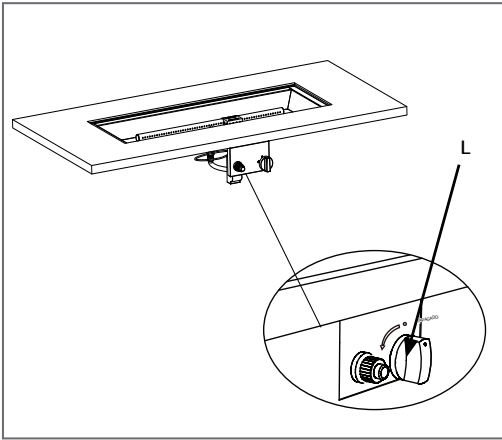


Combustible materials should not be within 60 inches of the top of the unit, or within 48 inches around the entire unit.

SAVE ALL INSTRUCTIONS FOR FURTHER USE

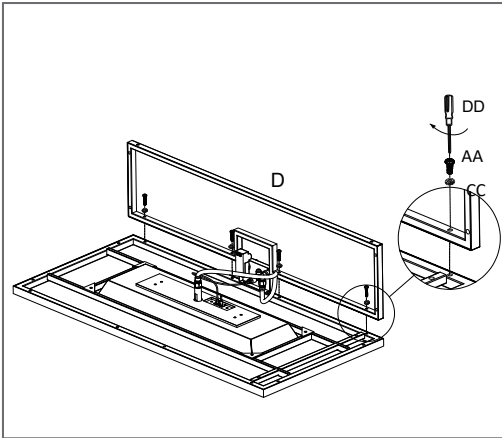
Always use in accordance with all applicable regional, provincial, federal, national regulations. Consult your local authority and/or fire department for current conditions such as burn ordinances or burn bans in your area.

No Materials can be burned that cause noxious/toxic odours, such as oil, grease, pressured treated wood, plastics, flammable liquids, yard waste, clothing and rags.



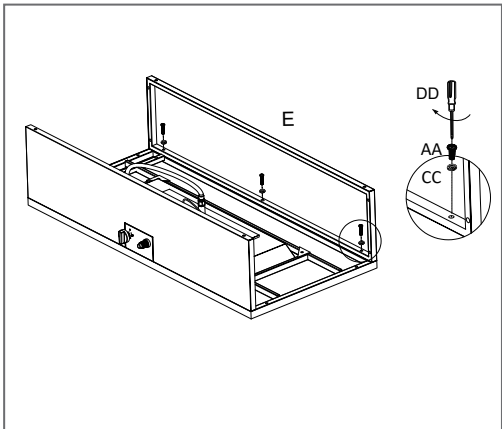
Checking the gas control

1. Check that the control knob (L) for the gas supply system is turned to the "OFF" position before starting any assembly.



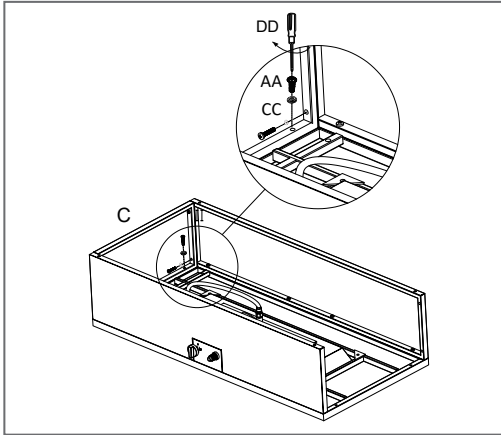
Attaching the front panel

2. Attach the front panel (D) to the table top (B) using 4 pcs M6x30 screws and 4 pcs washers (CC).



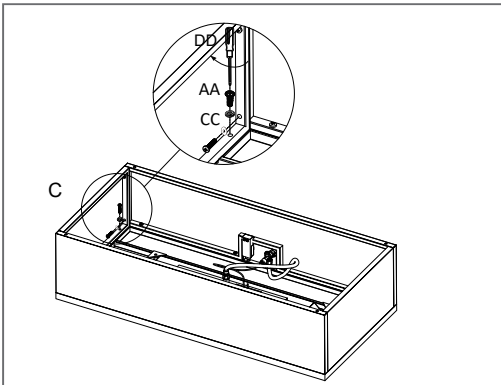
Attaching the back panel

3. Attach the back panel (E) to the table top (B) using 3 pcs M6x30 screws and 3 pcs washers (CC).



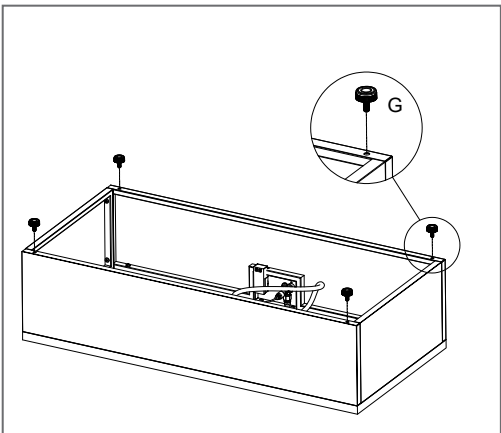
Attaching the left side panel

4. Attach the side panel(C) to the table top(B) and front/back panel using 6pcs M6x30 screws and 6 pcs washers (CC).



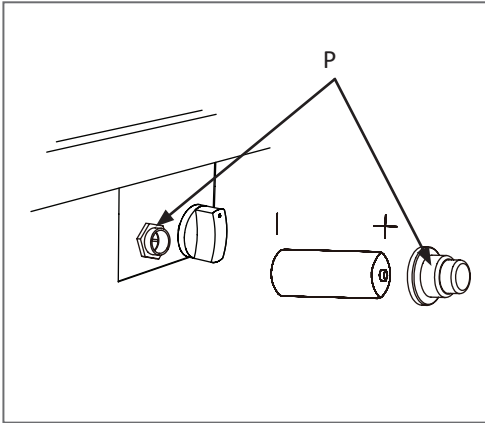
Attaching the right side panel

5. Attach the side panel(C) to the table top(B) and front/back panel using 6pcs M6x30 screws and 6 pcs washers (CC).



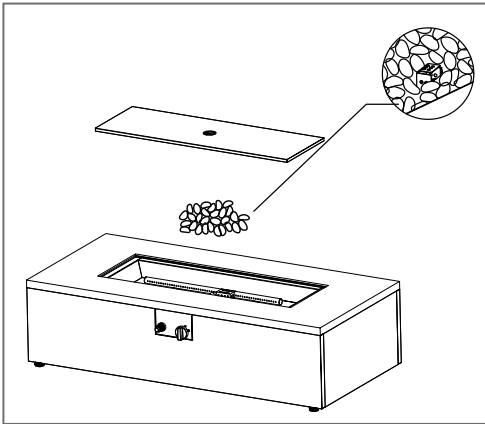
Attaching the feet

6. Attach the feet(G) to the front panel and back panel



Installing the battery

7. Remove the rubber cap on the electronic igniter (P) by unscrewing and slide battery (not included) into the battery slot. Make sure the positive side of the battery faces outwards. Screw the electronic igniter cap (P) over the battery tightly.

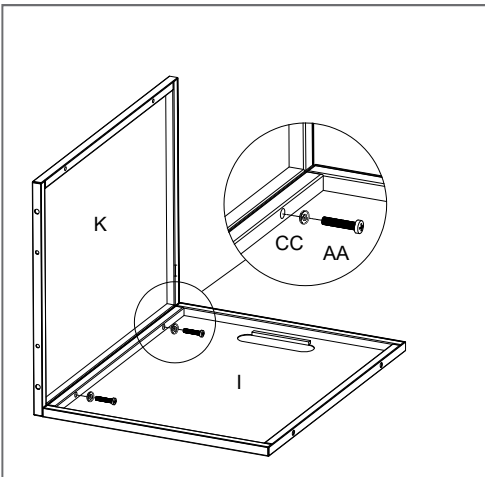


Pouring the Lava Rocks

8. Pour the box of Lava Rocks(L) into the firebowl(O)

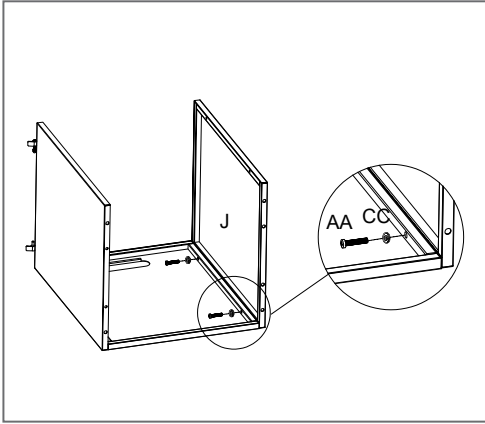
CAUTION

To ensure proper function, the guard (M) on this burner (O) should be free of Lava Rocks at all times.



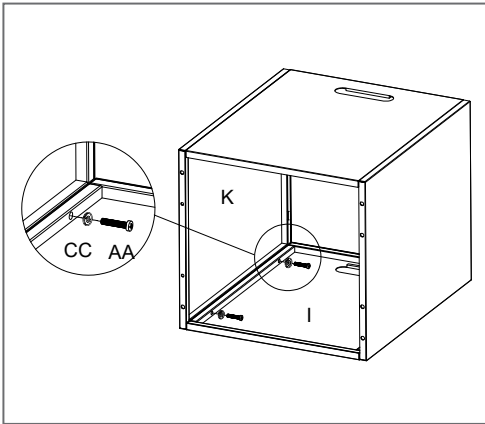
Attaching the iron tank back panel

9. Attach the iron tank back panel (K) to the iron tank side panel (I) using 2pcs M6x30 screws and 2 pcs washers (CC).



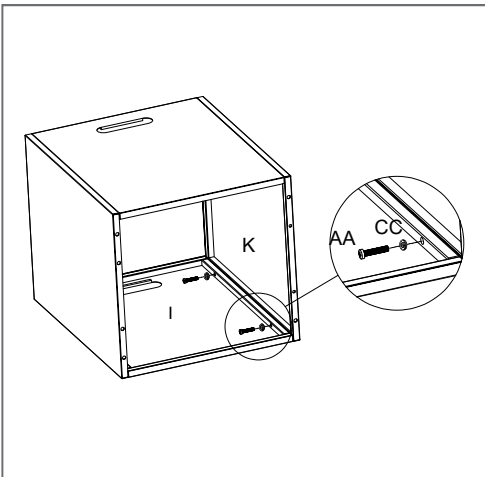
Attaching the iron tank front panel

10. Attach the iron tank front panel (J) to the iron tank side panel (I) using 2 pcs M6x30 screws and 2 pcs washers (CC).



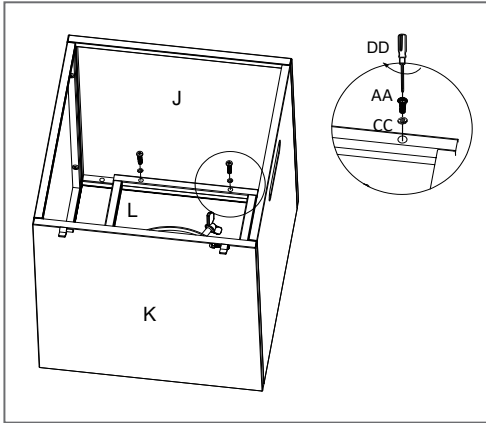
Attaching the iron tank back panel

11. Attach the iron tank back panel (K) to the iron tank side panel (I) using 2 pcs M6x30 screws and 2 pcs washers (CC).



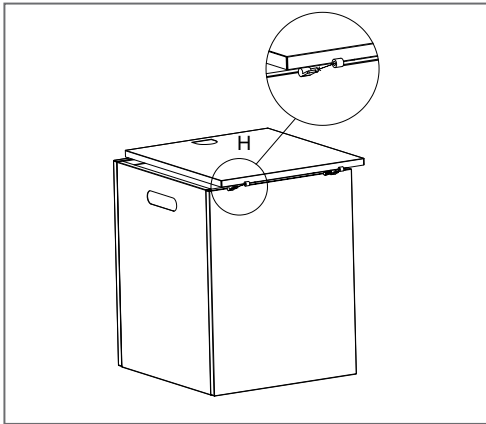
Attaching the iron tank side panel

12. Attach the iron tank back panel (K) to the iron tank side panel (I) using 2 pcs M6x30 screws and 2 pcs washers (CC).



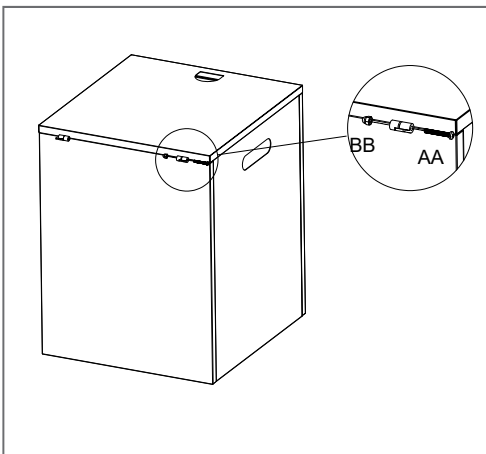
Attaching the metal stand

13. Attach the metal stand (L) to the iron tank front panel (J) and iron tank back panel (K) using 4pcs M6x30 screws and 4 pcs washers (CC).



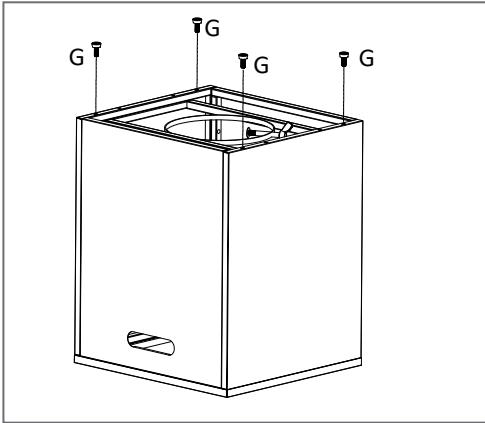
Attaching the Iron tank door

14. Attach the Iron tank door(H) to the iron tank back panel (K)



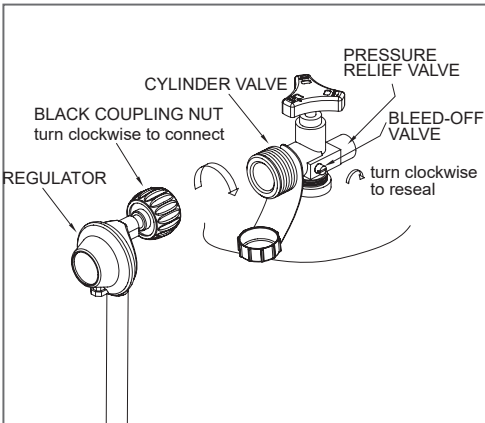
Attaching the Iron tank door

15. Attach the Iron tank door(H) to the iron tank back panel (K) using 1pcs M6x30 screws and M6 nut.



Attaching the feet

16. Screw four feet(G) onto the tank table. If necessary, adjust feet to level the tank table.



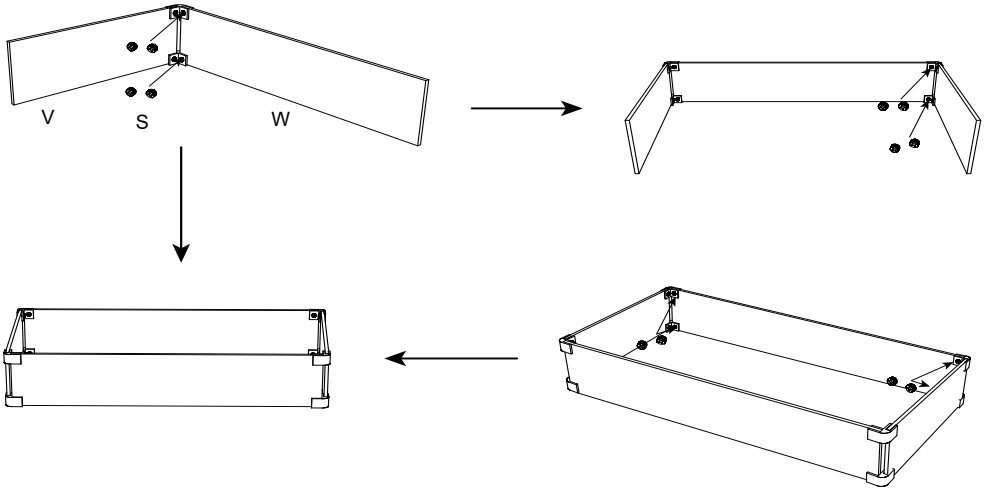
Attaching the regulator

17. Turn the cylinder valve on the tank clockwise to close the propane tank. Attach the preassembled regulator from the table top (B) to the cylinder valve by turning the regulator coupling nut clockwise. Make sure it is fastened securely and tighten connections by hand only.

1. Assembling the glass

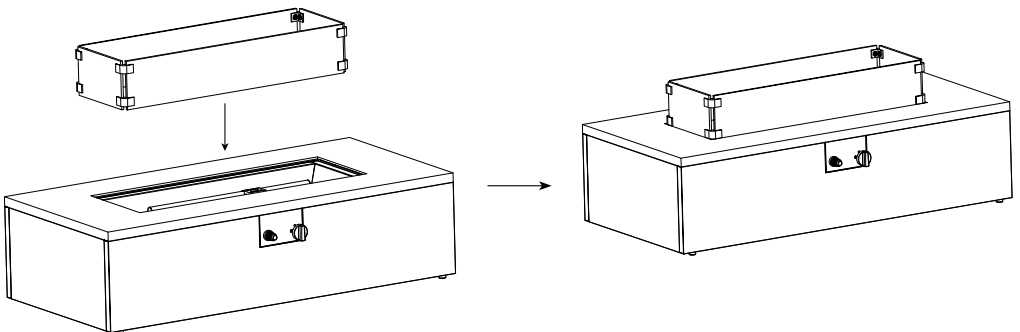
Unscrew all preassembled screws on the glass clamps.

Then, assemble one glass panel to the other glass panel . Repeat for the rest two glass panels. Then, assemble the two glass panel pieces together with the final glass clamps as shown below.



2. Inserting the glass

Insert the glass assembly made in step 1 into the ridge on the top of the fire table body .



Before performing a leak test, be sure that no sparks can occur and you are in a spacious outdoor area. Connect the propane gas tank to the regulator and turn the valve on the unit to the “off” position. Brush a soap and water mixture on all connections. Turn the gas supply on; if bubbles occur on any connection there may be a leak. **If you smell gas or a leak is discovered turn the gas valve off, disconnect propane gas tank and do not use the appliance until the leak is repaired.**

Do not use the heating unit without inspecting the gas hose. If there are signs of wear or abrasion you must replace the hose (if applicable). Pumice stones/lava rocks/Lava Rocks™ could pop up and strike somebody’s face during the process of lighting this unit; stand away from the unit for the first 20 minutes after igniting. Flame height should be a yellow/blue color between 10 - 25 inches in height.

Wait 50 minutes after extinguishing flame prior to placing a lid (if applicable) or protective cover on heating iteÅÅ

To light

1. Make sure the control knob (L) is in the “off” position.
2. Open the door (C) and slowly open the valve on the propane gas tank by turning the knob counterclockwise.
3. Close the door (C) on the body.
4. Push and hold in the electronic igniter (P) to create sparks within the electrode, continue to hold.
5. Push in the control knob (L) and turn to the “HIGH” position. Keep holding down the control knob (L) to allow gas to flow for 15 seconds.
6. If ignition doesn’t occur within a few seconds release the control knob (L) and rotate to the “OFF” position. Wait for 5 minutes for gas to clear and then repeat the above lighting instructions.
7. Once the fire product is lit, the flame intensity may be controlled by turning the control knob (L) between the “LOW” and “HIGH” positions.

To extinguish

1. Turn control knob (L) clockwise to the “HIGH” position; let the knob pop up and continue turning the control knob (L) to the “OFF” position.
2. Close the cylinder valve on the propane gas tank if you don’t intend to use it for a long time.

Cleaning and maintenance

1. Before performing any maintenance always disconnect propane gas tank.
2. Keep the heating item free and clear from combustible materials.
3. Visually inspect burner for obstructions and keep tank enclosure free and clear from debris.
4. Use a soft brush to get rid of the mild stains, loose dirt and soil after the burner and pumice stones/lava rocks/Lava Rocks® are completely cooled down. Wipe down with a soft cloth.
5. Harsh weather conditions may cause stubborn stains, discoloration and possibly rust pitting.
6. Permanent damage may occur if powder or solvent comes in contact with painted or plastic components on this heating unit.
7. Keep the heating unit stored away from direct sunlight.
8. If storing this unit inside, disconnect the propane gas tank from the gas valve.
9. Not using manufacturer approved or supplied parts/accessories may result in a defective condition and void the warranty of this heating unit.
10. Always place lid (if applicable) or protective cover on heating item when not in use.
11. Store your product indoors during winter months. Avoiding extreme cold temperatures will prevent from exposure damage.

Other useful information

Storing

- Allow the fire table to cool completely prior to storing.
- Do not place heavy items on top of the fire table when storing as this may result in possible damage.

Environmental protection

Please be sure that all packaging material is disposed of in an environmentally friendly way.