

NOTICE

- * Please make sure that you have all parts indicated and they are in good condition before you begin assembly of this item. Refer to part list and hardware list below for guidance.
- * This item should be assembled on a soft surface to prevent scratching the finish during assembly.
- * This item may require periodic tightening.
- * If you are having difficulty, our friendly Customer Care team is always here to help.







PREPARATION

- * Before beginning assembly of product, make sure all parts are present. Compare parts with part contents list and hardware contents list.
- * If any part is missing or damaged, do not attempt to assemble the product.
- * Estimated Assembly Time: 10 minutes.

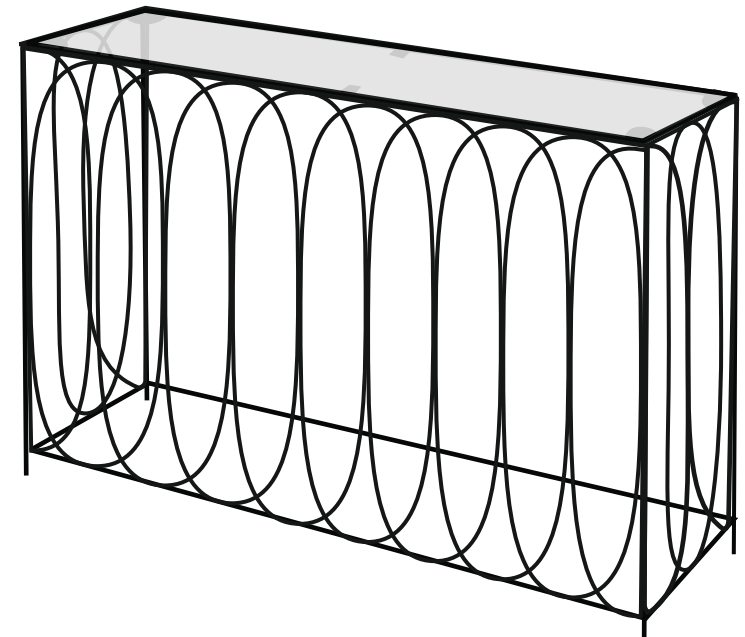
CARE AND MAINTENANCE

- * Wipe with damp cloth. Avoid the use of chemical and household cleaners as they may damage the finish.

Part List and Hardware List

PIECE	DESCRIPTION	PICTURE	QUANTITY
A	GLASS		1X
B	METAL STAND		1X
H1	LONG SCREW		2X
H2	PLASTIC SCREW ANCHOR		2X
H3	WALL BRACKET		2X
H4	PLASTIC STRIP		2X

PRODUCT DIMENSION - 48"W X 8"D X 30"H



! WARNING !

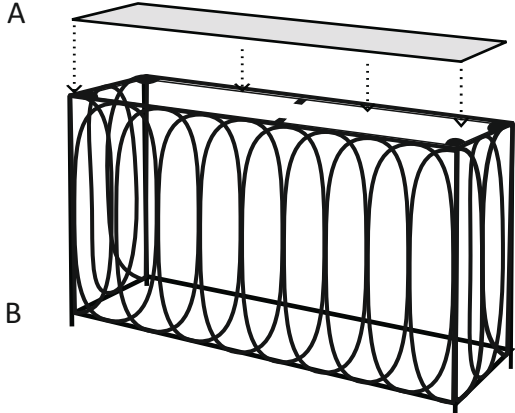
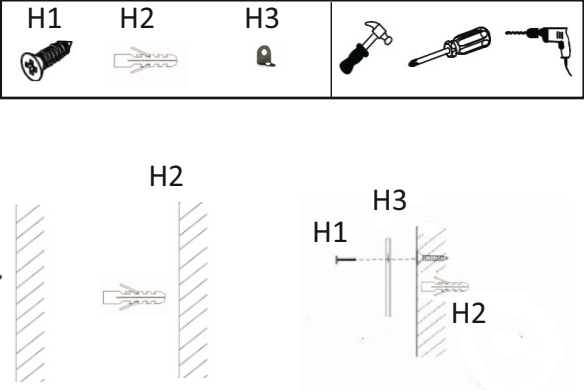
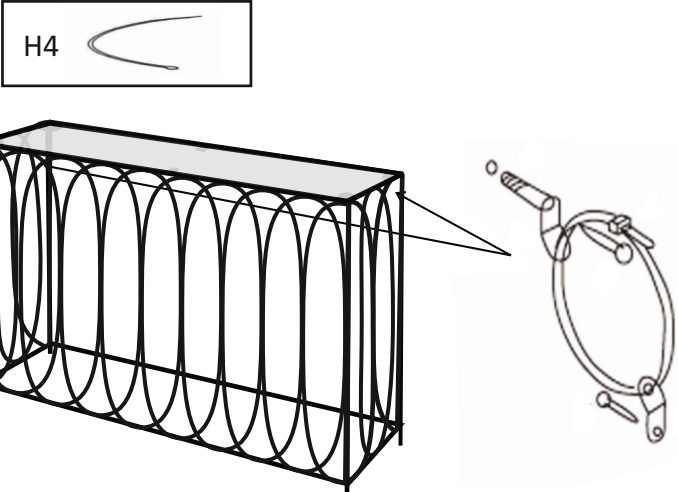
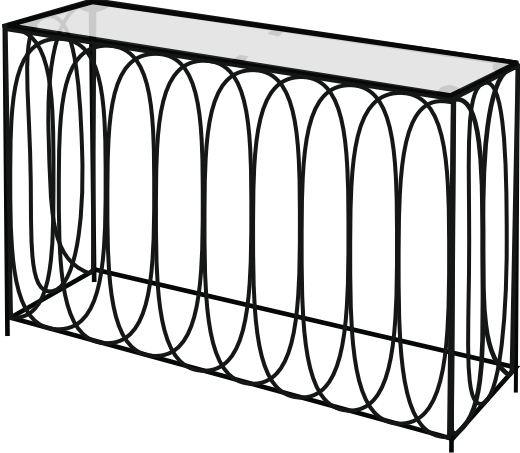
Weight Capacity - 75LBS.

Warning : Do not stand on table.

Warning : Do not over torque bolts.

PREPARATION

- * Before beginning assembly of product, make sure all parts are present. Compare parts with part contents list and hardware contents list.
- * If any part is missing or damaged, do not attempt to assemble the product.
- * Estimated Assembly Time: 10 minutes.
- * If you are having difficulty, our friendly Customer Care team is always here to help.

	
<p>Step 1. Align the glass with metal base.</p>	<p>Step 2. Use the tool H1,H2,H3 & fix on the wall.</p>
	
<p>Step 3. Use the plastic trip on the wall and adjust to fix it the console.</p>	<p>Step 4. Product is ready to use.</p>