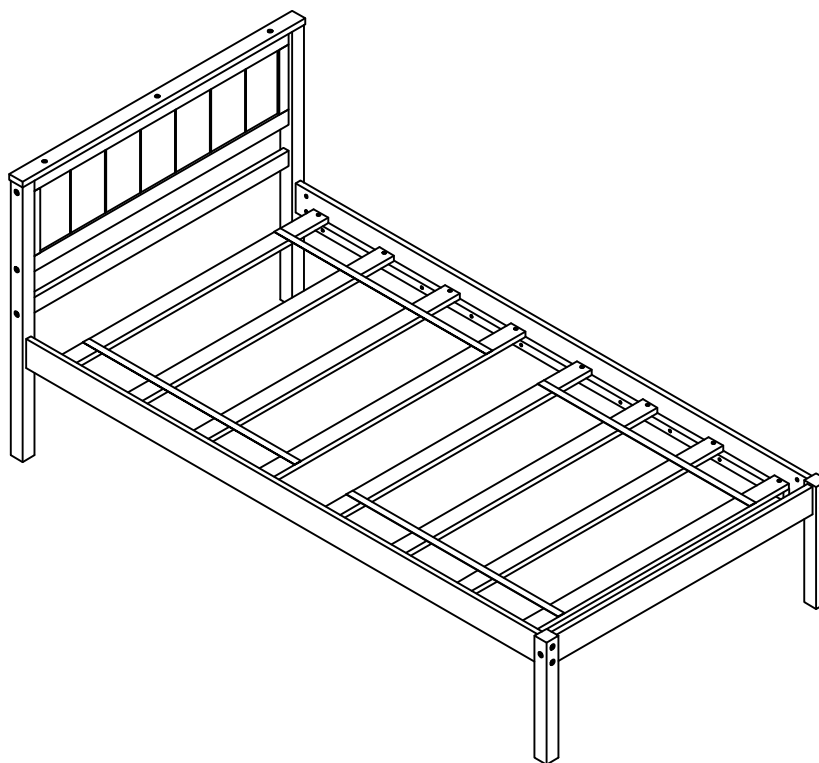
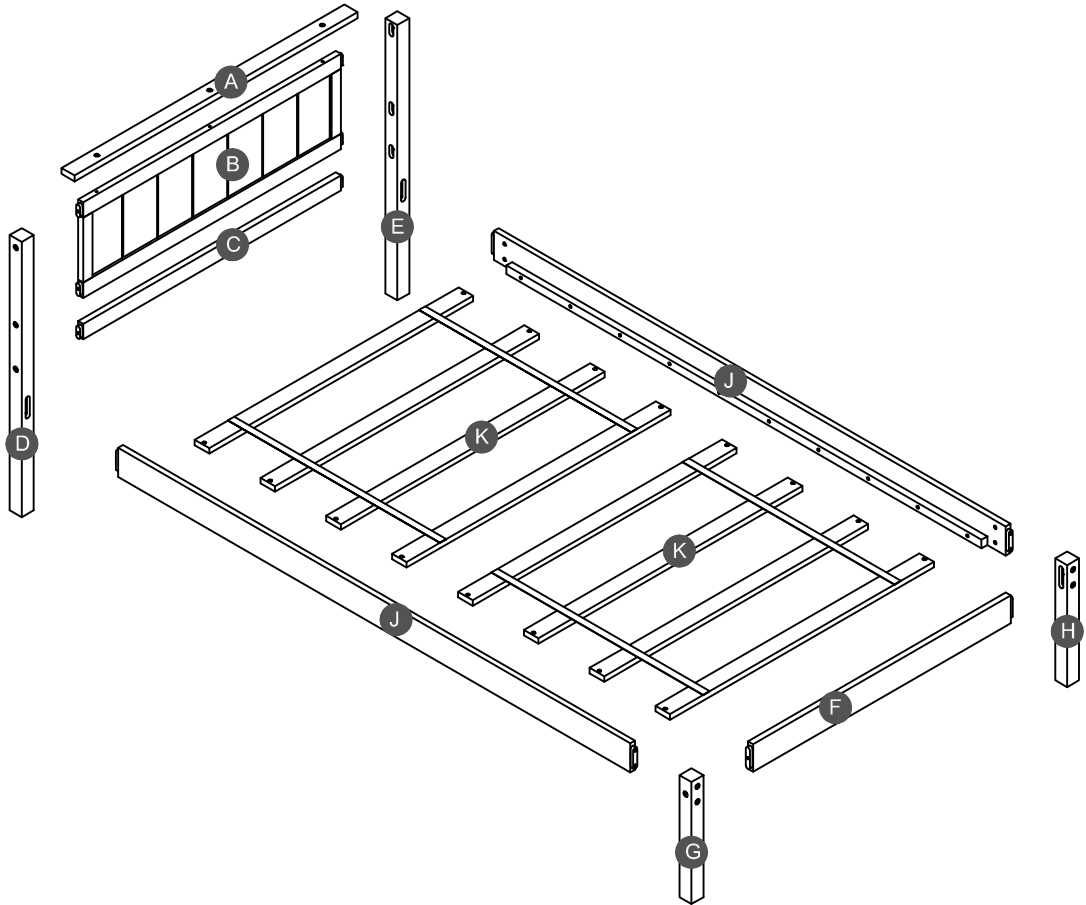


ASSEMBLY INSTRUCTIONS

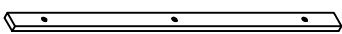
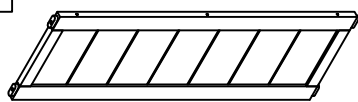
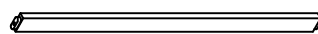
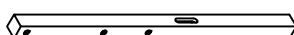
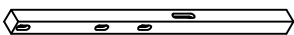
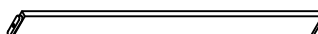
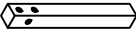
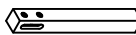

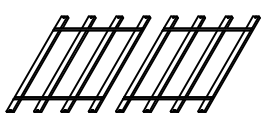
TWIN BED



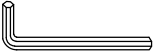
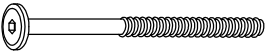
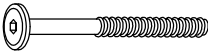



Detail View



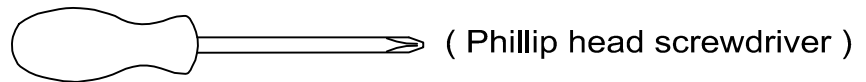
Part List

A  Cap for HB - 1pc	B  HB Frame - 1pc	C  Horizontal bar (HB)- 1pc
D  Leg HB (Left) - 1pc	E  Leg HB (Right) - 1pc	F  Horizontal (FB) - 1pc
G  Leg FB (Left) - 1pc	H  Leg FB (Right) - 1pc	J  Side rail - 2pcs
K  Slats - 8pcs		

Hardware List



1  (1/4")4.5*58mm Allen key (1pc)	2  (Ø15)1/4"*100mm Hex-Head bolts (8pcs)	3  (Ø15)1/4"*80mm Hex-Head bolts (8pcs)
4  (Ø12)1/4"*40mm Hex-Head bolts (3pcs)	5  1/4"*15 (9.5mm) Horizontal-Hole bolts(16pcs)	6  Ø4*30mm Wood screws (16pcs)

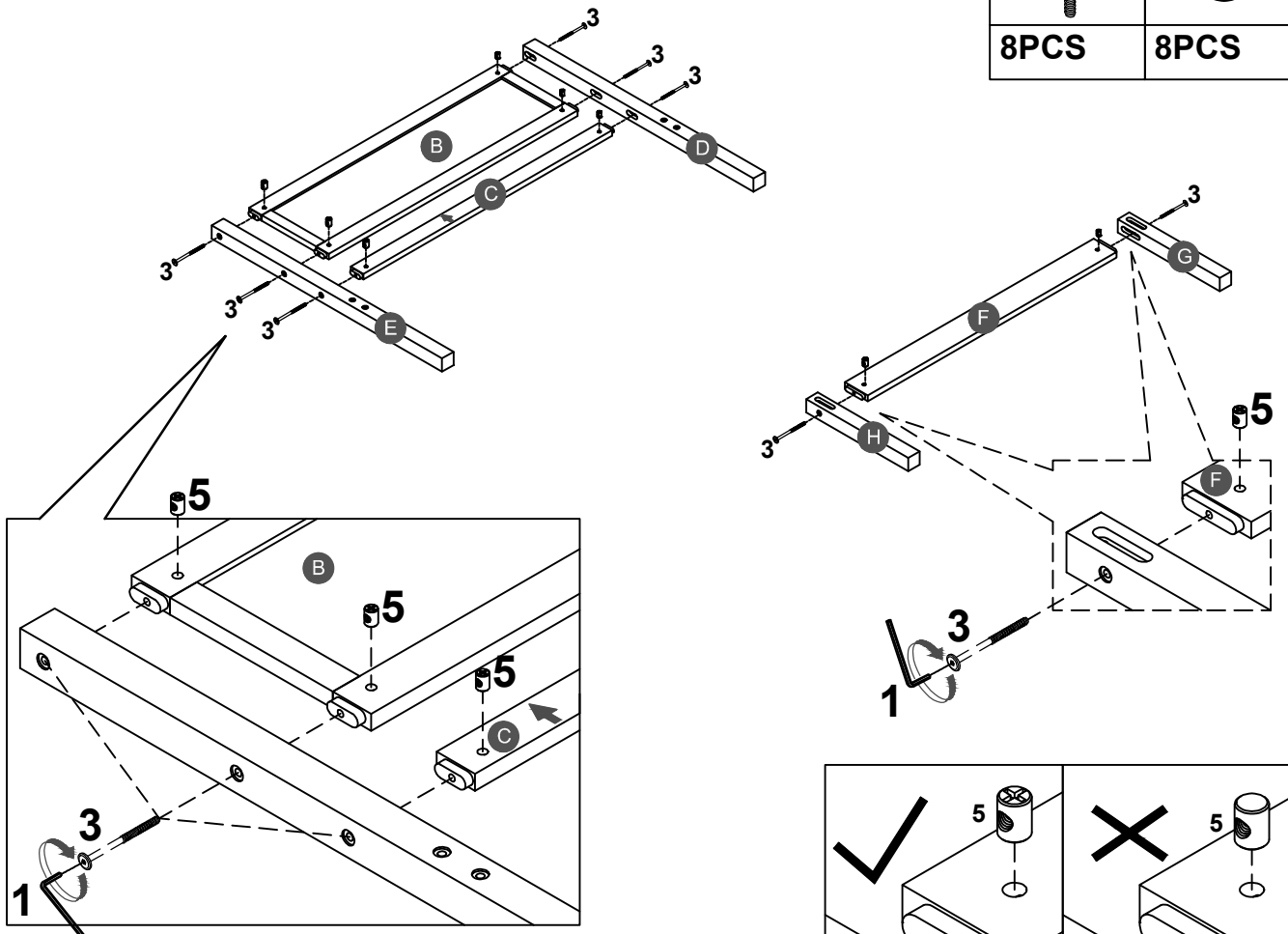
ASSEMBLY TOOLS REQUIRED (NOT INCLUDED)



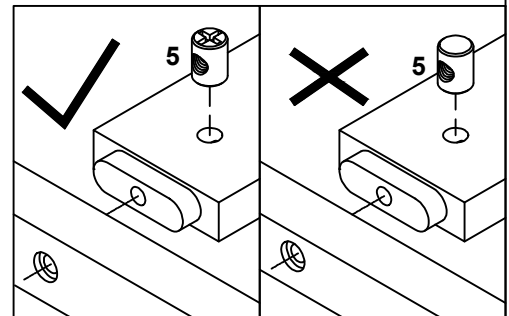
DO NOT USE POWER TOOLS TO ASSEMBLE THIS PRODUCT !

STEP 1:

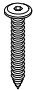
3		5	
8PCS		8PCS	

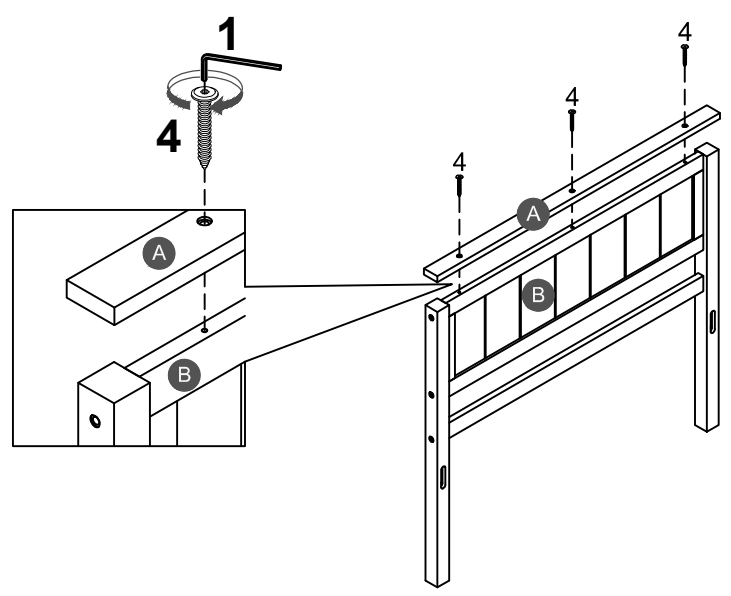


Note: Part 5 will face up with the "x" mark on it, otherwise it cannot be tightened





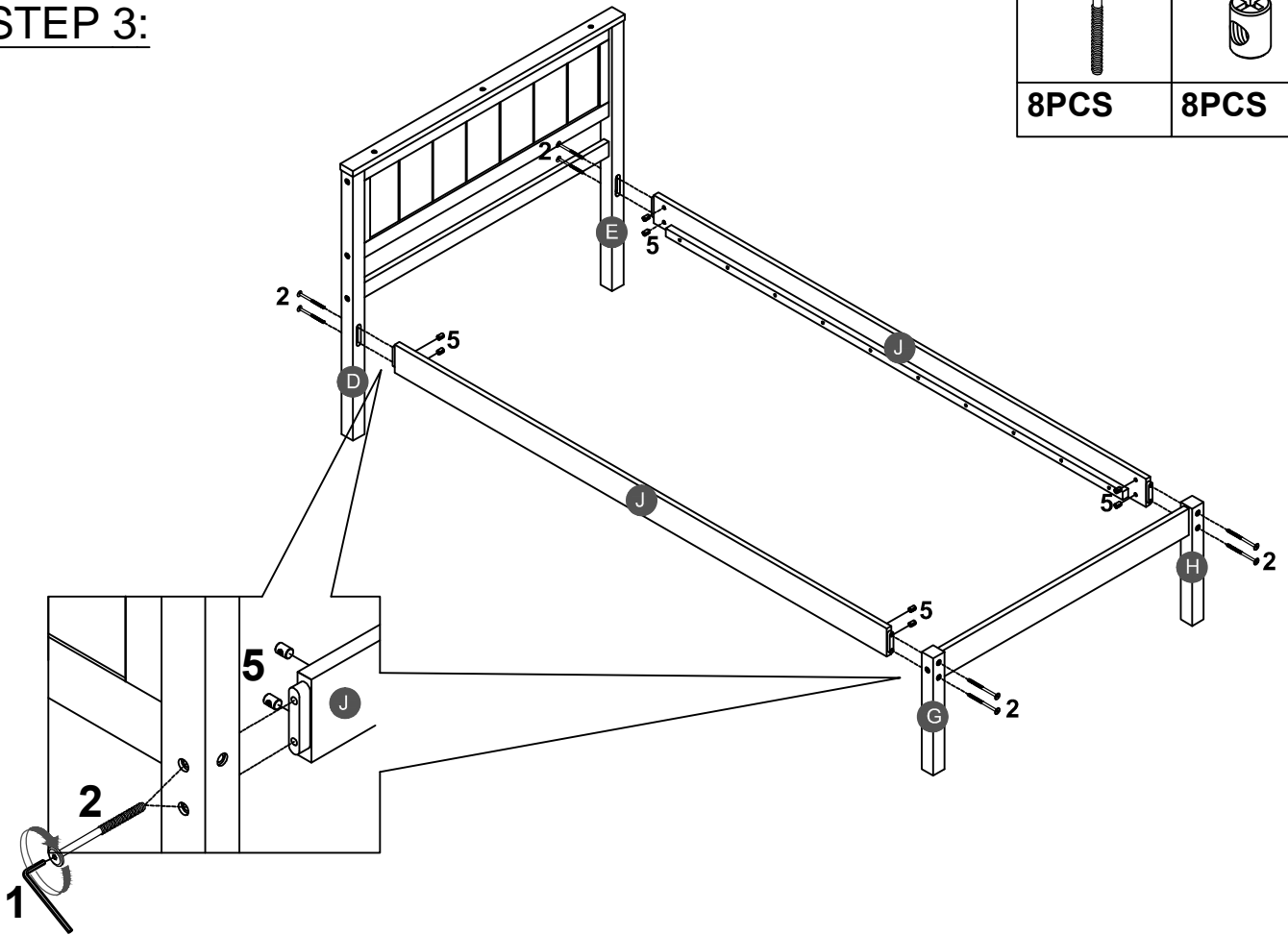
STEP 2:

4	
3PCS	




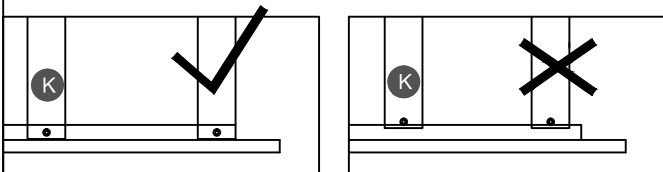
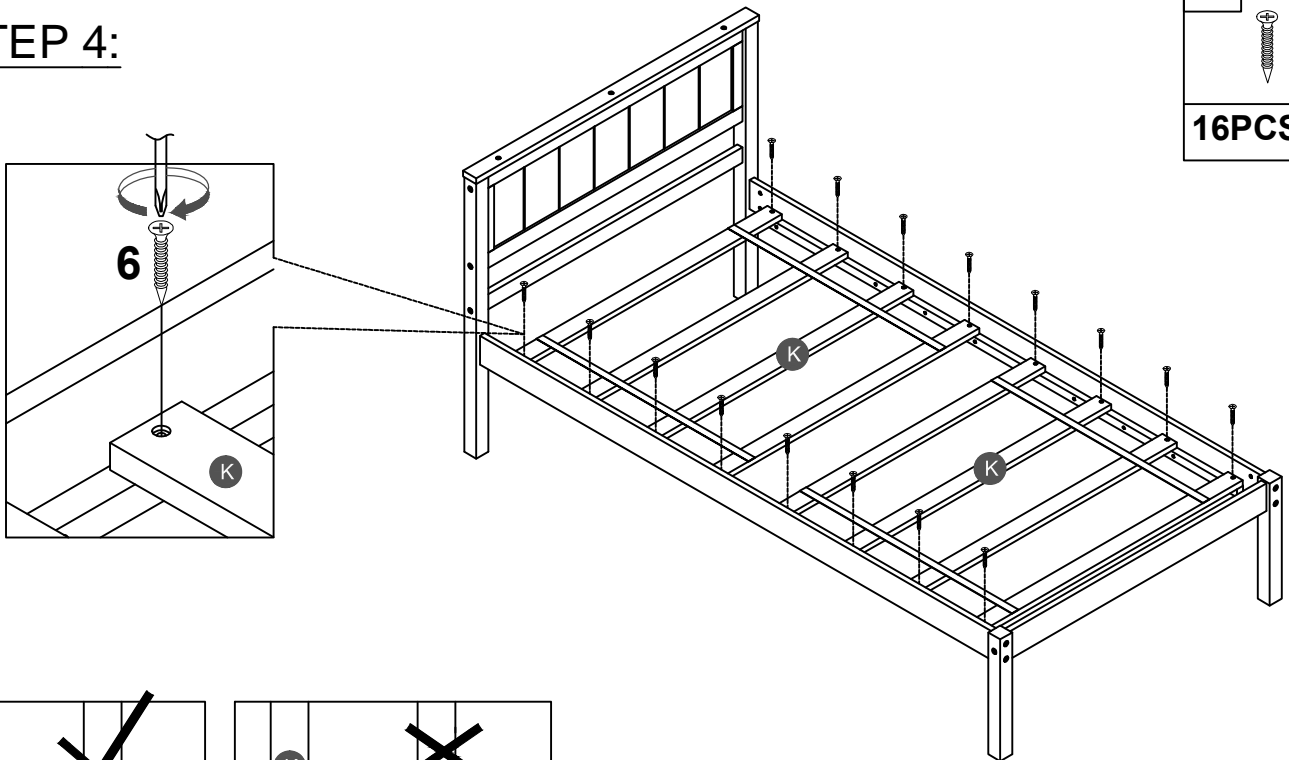
STEP 3:

2		5	
8PCS		8PCS	



STEP 4:

6	
16PCS	



Note: Do not lock the screws of the bed slats to the outermost edge of the bed slats, you need to leave a certain space at the edges, otherwise it will cause the board to break