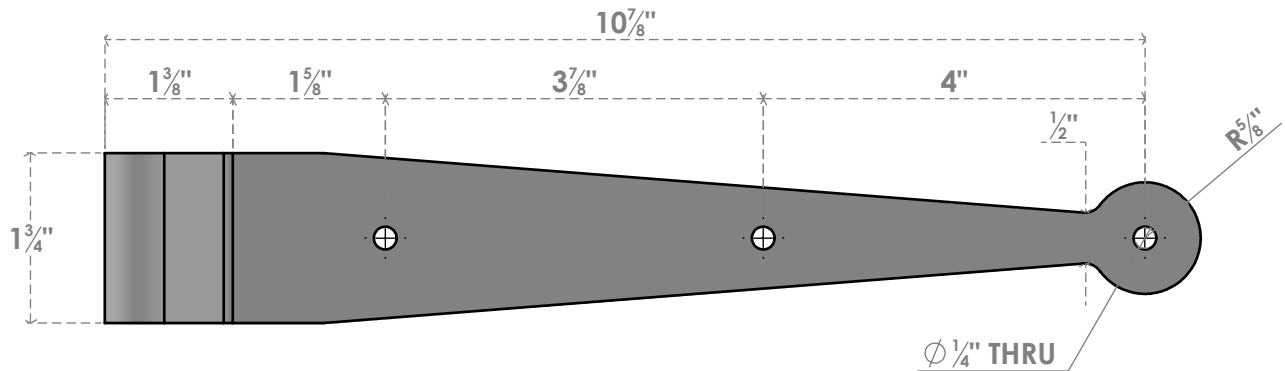
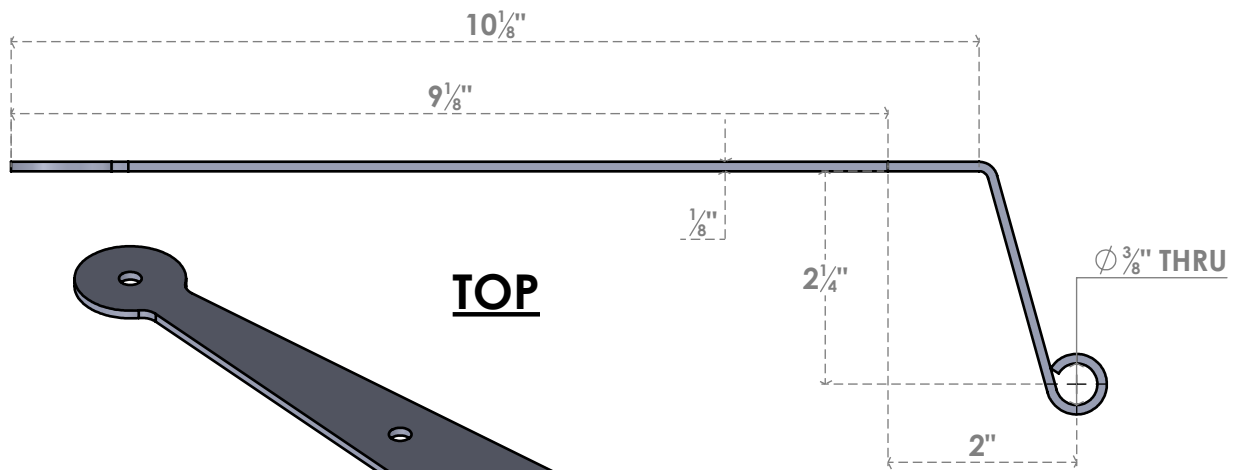


ITEM NUMBER: SHWM225X10SHSSBL

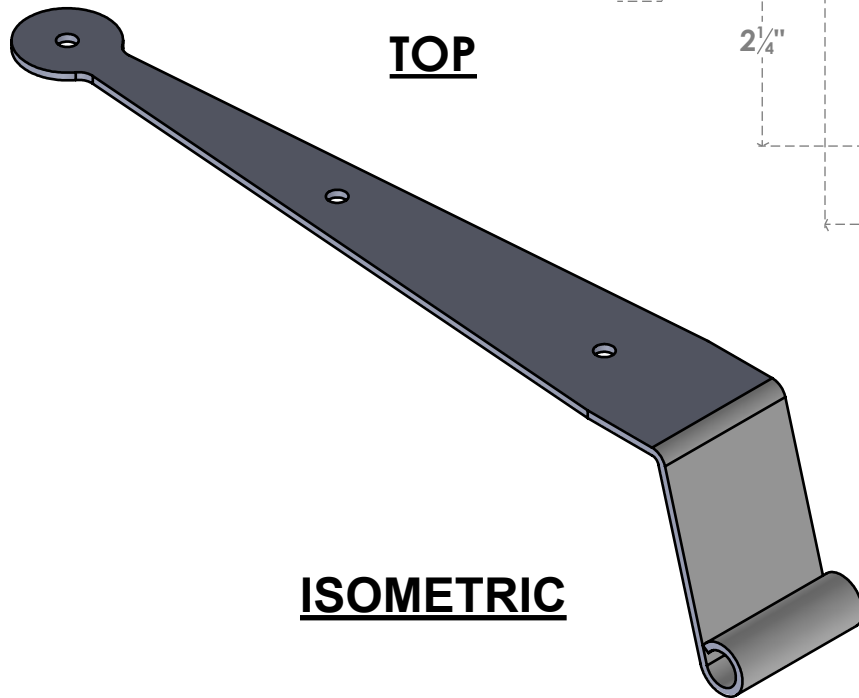
STEELTEK STRAP HINGE 10"W WITH 2-1/4" OFFSET (SOLD AS PAIR), 304 STAINLESS STEEL, POWDER COATED BLACK



FRONT



TOP



ISOMETRIC



EKENA MILLWORK
2300 WEST MAIN ST.
CLARKSVILLE, TX 75426
TOLL FREE: 866-607-0453
WWW.EKENAMILLWORK.COM

GENERATED DATE : 11/12/2024

NOTES

1. INSTALLATION TO BE COMPLETED IN ACCORDANCE WITH MANUFACTURER'S SPECIFICATIONS.
2. DRAWING MAY NOT BE TO SCALE
3. THIS DRAWING IS INTENDED FOR DESIGN AND PLANNING PURPOSES ONLY.
5. MANUFACTURED FROM 304 STAINLESS STEEL WITH POWDERCOATED BLACK FINISH.
6. ACTUAL DIMENSIONS MAY VARY DUE TO MATERIAL AND MANUFACTURING TOLERANCES