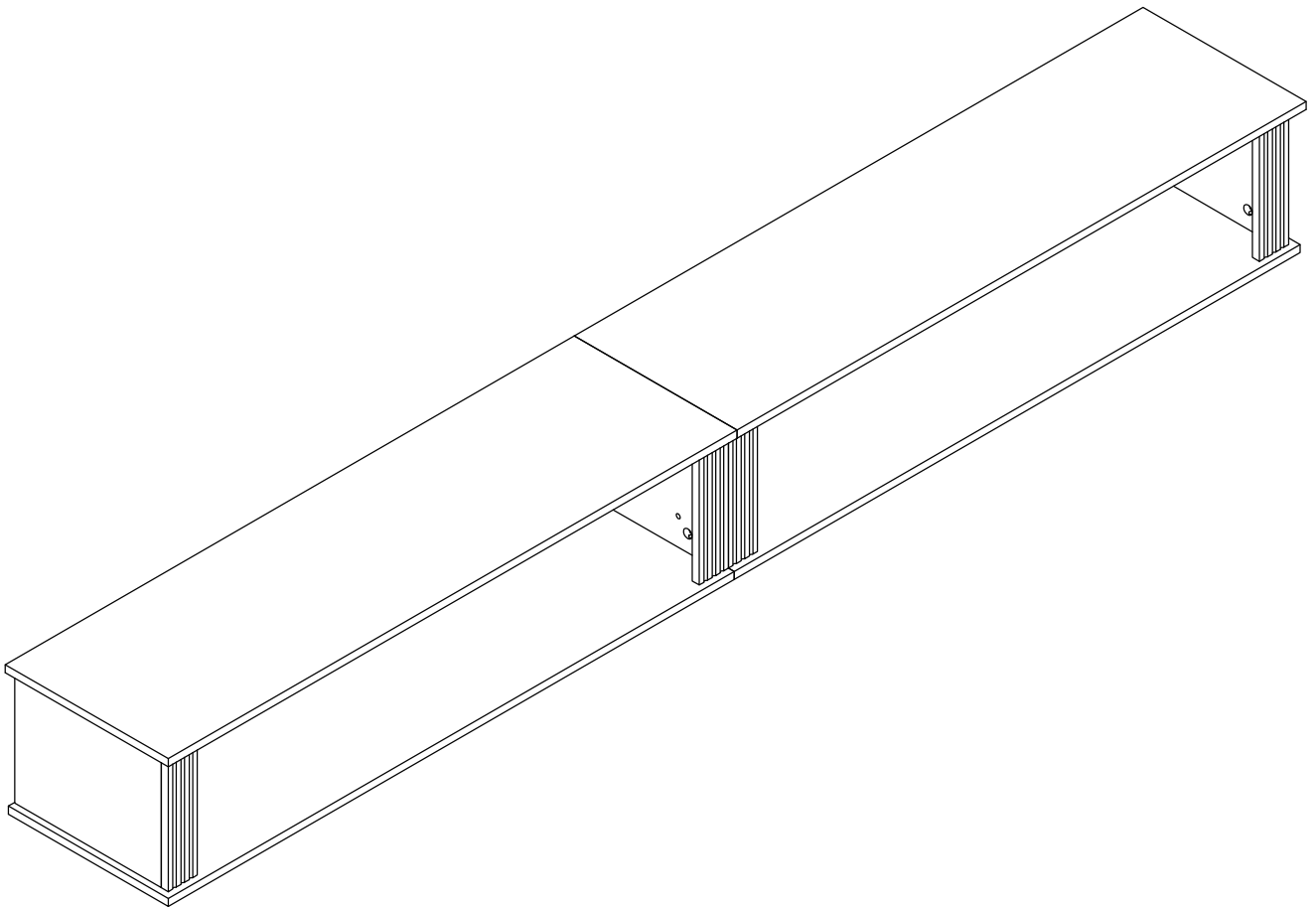
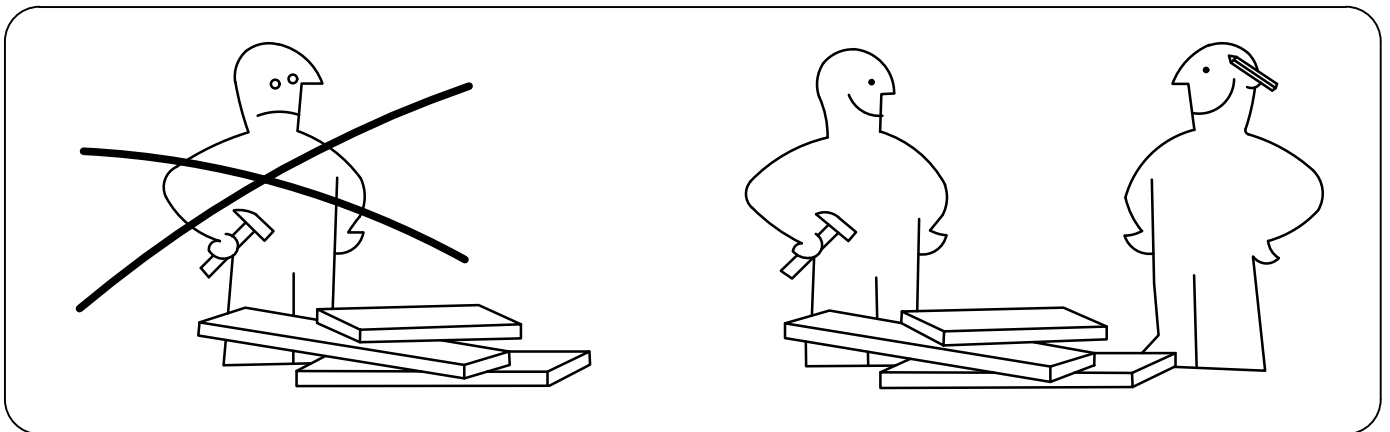
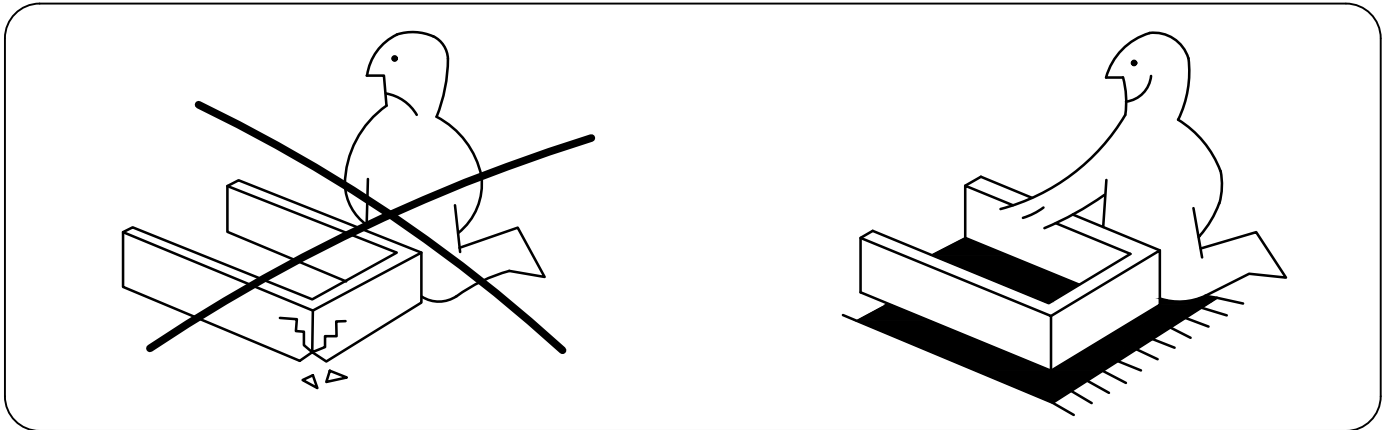


TV STAND USER MANUALL



INTRODUCTION

Thank you for purchasing our products. Committed to providing customers with the best quality products and service has always been our lifelong goal. Before using the product, please read this instruction manual carefully to ensure correct use. Keep the instruction manual in a place where the user can find it at any time.



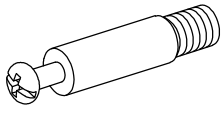
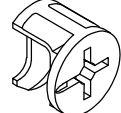
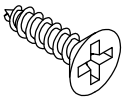
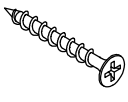
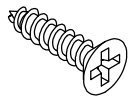

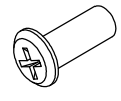

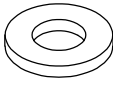
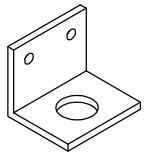
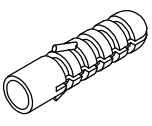
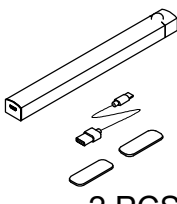
PRECAUTIONS

1. There are many components and accessories in the package. Each component and accessory is labeled with a letter or a number, check carefully before using any of them. Keep them away from children to prevent accidents.
2. Please install the product on a clean and soft underlay (such as carpet or cardboard) to avoid scratching or damaging the surface of the product.
3. The main components of the product is relatively heavy. Please pay attention to safety during installation.
4. The product is not stable during installation. Please do not move it randomly before it is completely installed.
5. If you have any questions during installation, please contact the customer service in time.

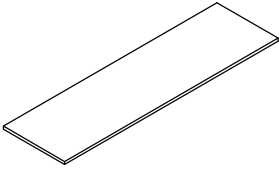
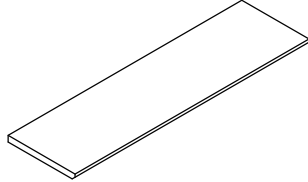
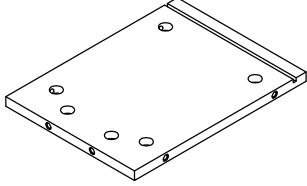
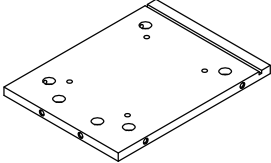
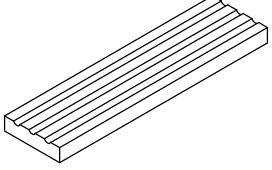
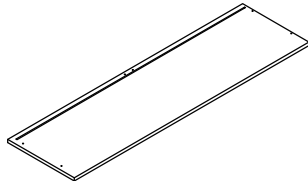
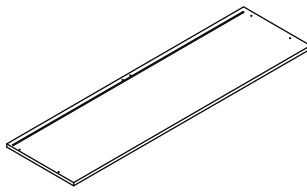
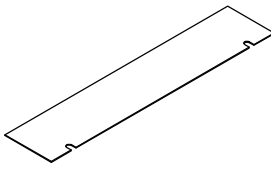
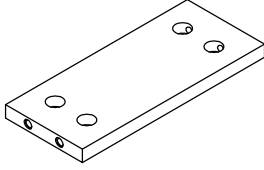
***PLEASE BE SURE TO FOLLOW THE INSTALLATION STEPS IN THE MANUAL TO AVOID UNNECESSARY LOSSES CAUSED BY IMPROPER INSTALLATION.**

***IF YOU NEED FURTHER ASSISTANCE, PLEASE CONTACT THE CUSTOMER SERVICE ONLINE.**

HARDWARE LIST

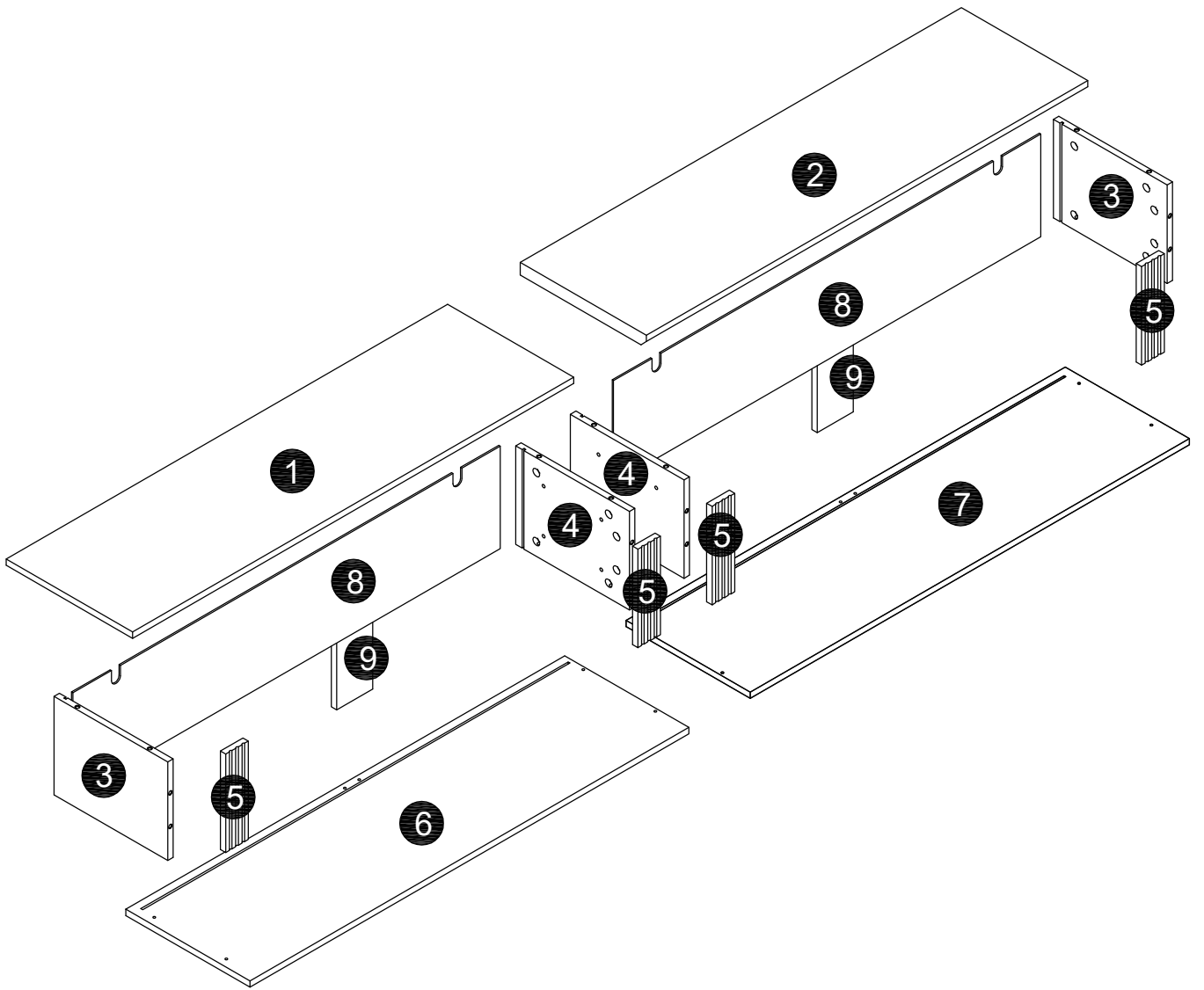
<p>A</p>  <p>6×35mm 32(+2)PCS</p>	<p>B</p>  <p>32(+2)PCS</p>	<p>C</p>  <p>M3.5×14mm 8 PCS</p>	<p>D</p>  <p>M3.5×35mm 4 PCS</p>	<p>E</p>  <p>M3×14mm 16(+1) PCS</p>
<p>F</p>  <p>15×14×10mm 16 PCS</p>	<p>G</p>  <p>M6×12mm 4 PCS</p>	<p>H</p>  <p>M6×15mm 4 PCS</p>	<p>I</p>  <p>4 PCS</p>	<p>J</p>  <p>4 PCS</p>
<p>K</p>  <p>4 PCS</p>	<p>L</p>  <p>2 PCS</p>			

PANEL LIST

 <p>1</p> <p>1PC</p>	 <p>2</p> <p>1PC</p>	 <p>3</p> <p>2PCS</p>	 <p>4</p> <p>2PCS</p>
 <p>5</p> <p>4PCS</p>	 <p>6</p> <p>1PC</p>	 <p>7</p> <p>1PC</p>	 <p>8</p> <p>2PCS</p>
 <p>9</p> <p>2PCS</p>			

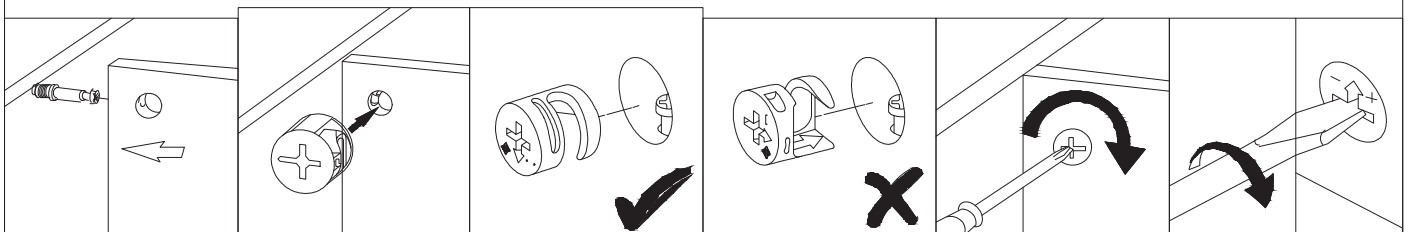
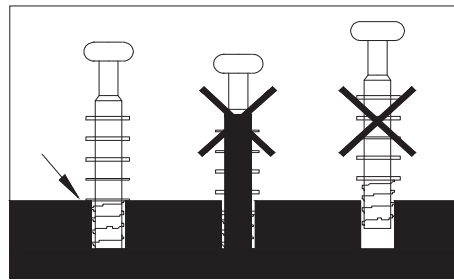
TIPS

1. When installing the product, use a soft surface (such as carpet or cardboard) to avoid scratching or damaging the surface of the product.
2. Please try to use a manual screwdriver instead of electric screw driver. A manual screwdriver can be used to better control the tightness of the screws.
3. Do not use any glue.
4. The product is unstable before it is assembled. Please pay attention to the product installation sequence, and align all screws and screw holes before tightening.
5. The structure of this product can not meet the requirements of children climbing.





Due to the large number of boards, in order to facilitate the installation, please place the boards in order after opening the parcel and then start the installation.

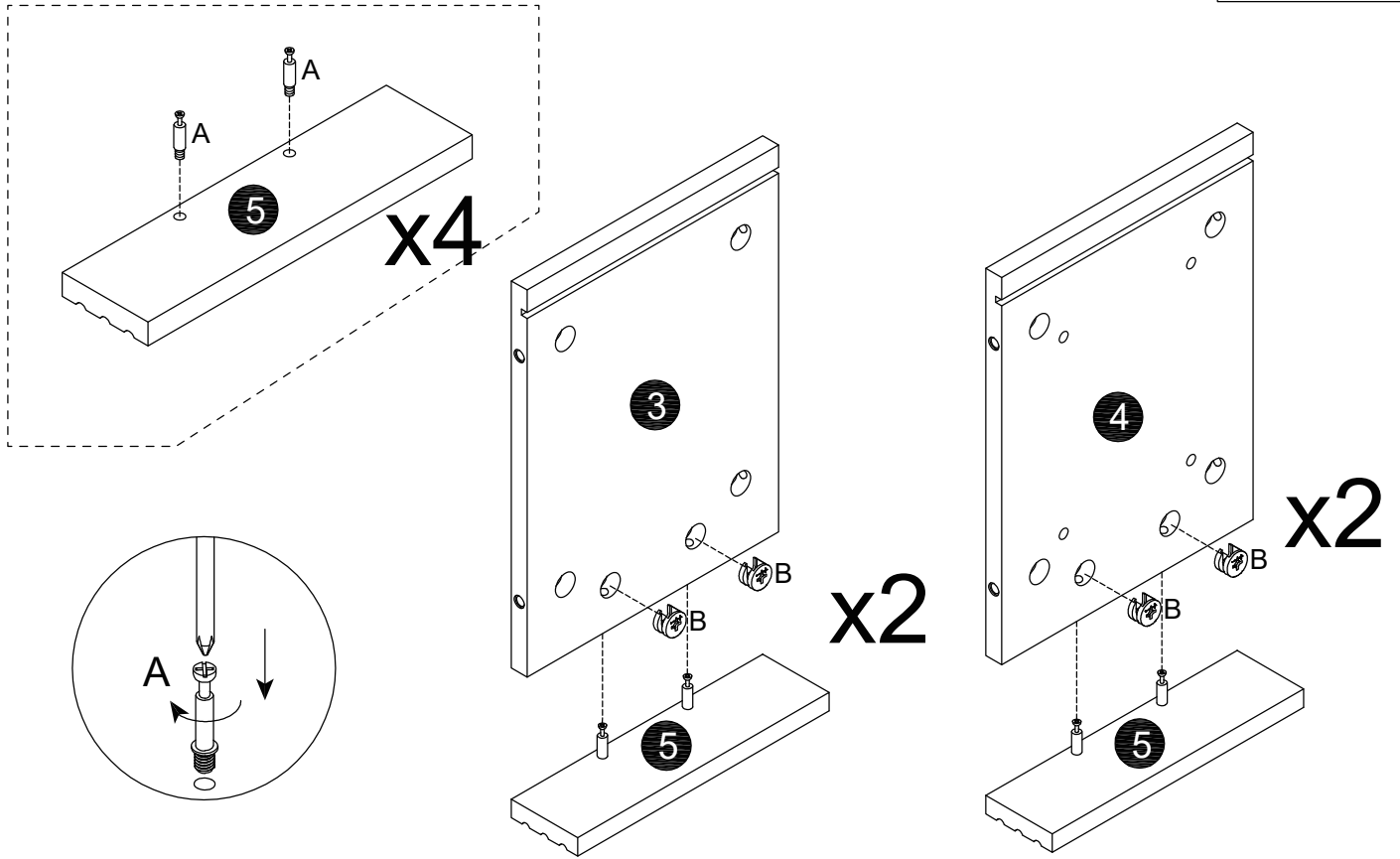
Installation method of three in one rod and buckle



01

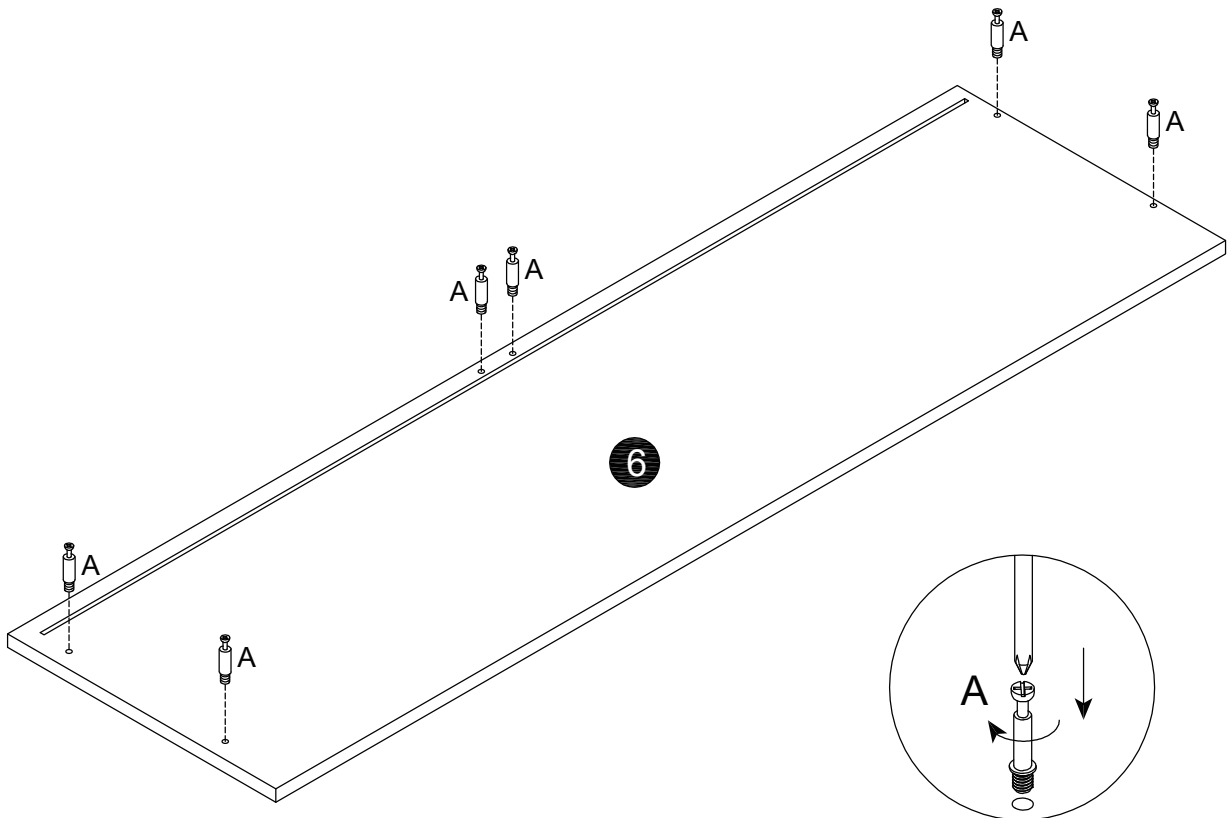
INSTALLATION STEPS

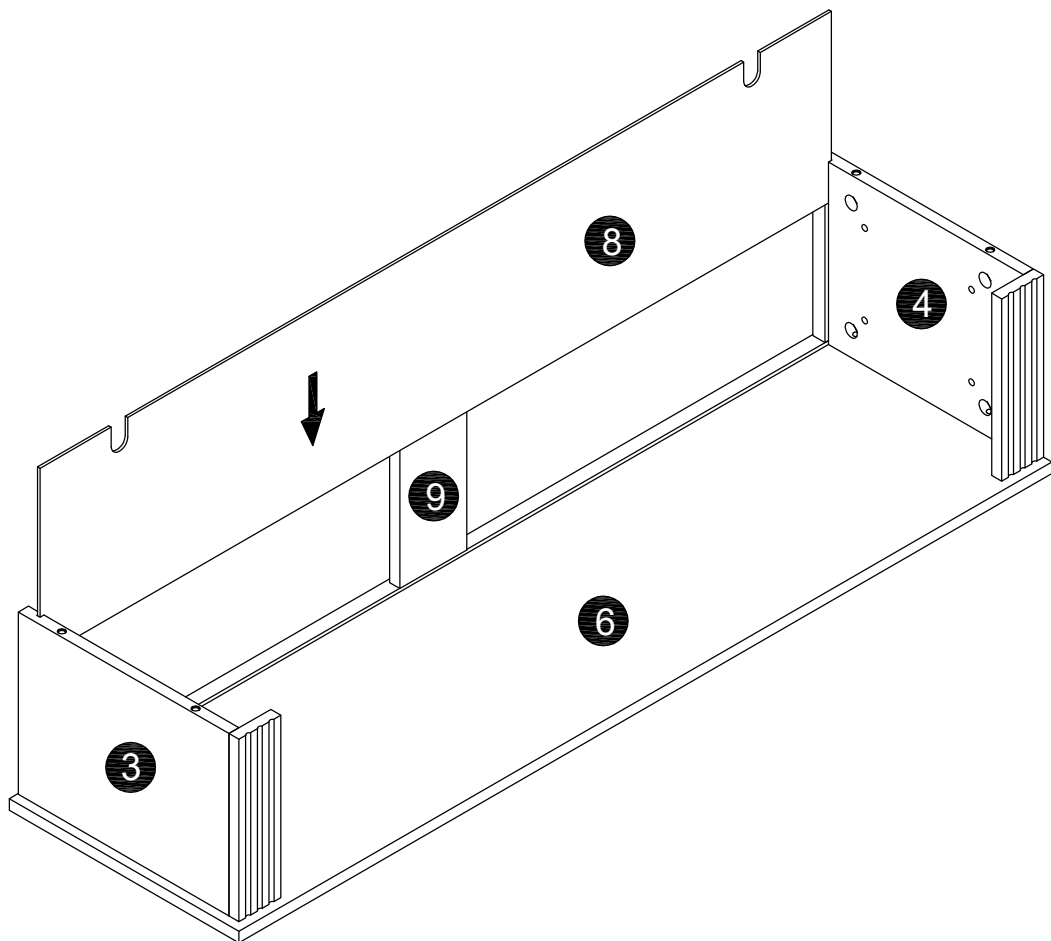
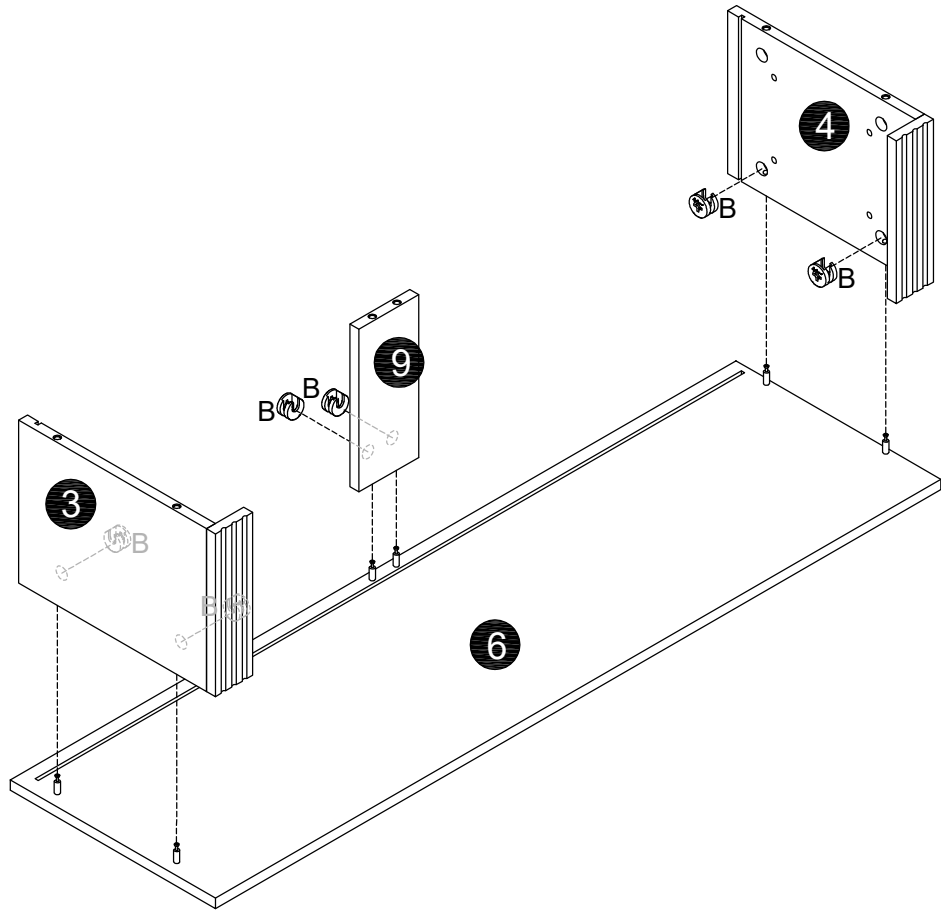
Ax8 
Bx8 



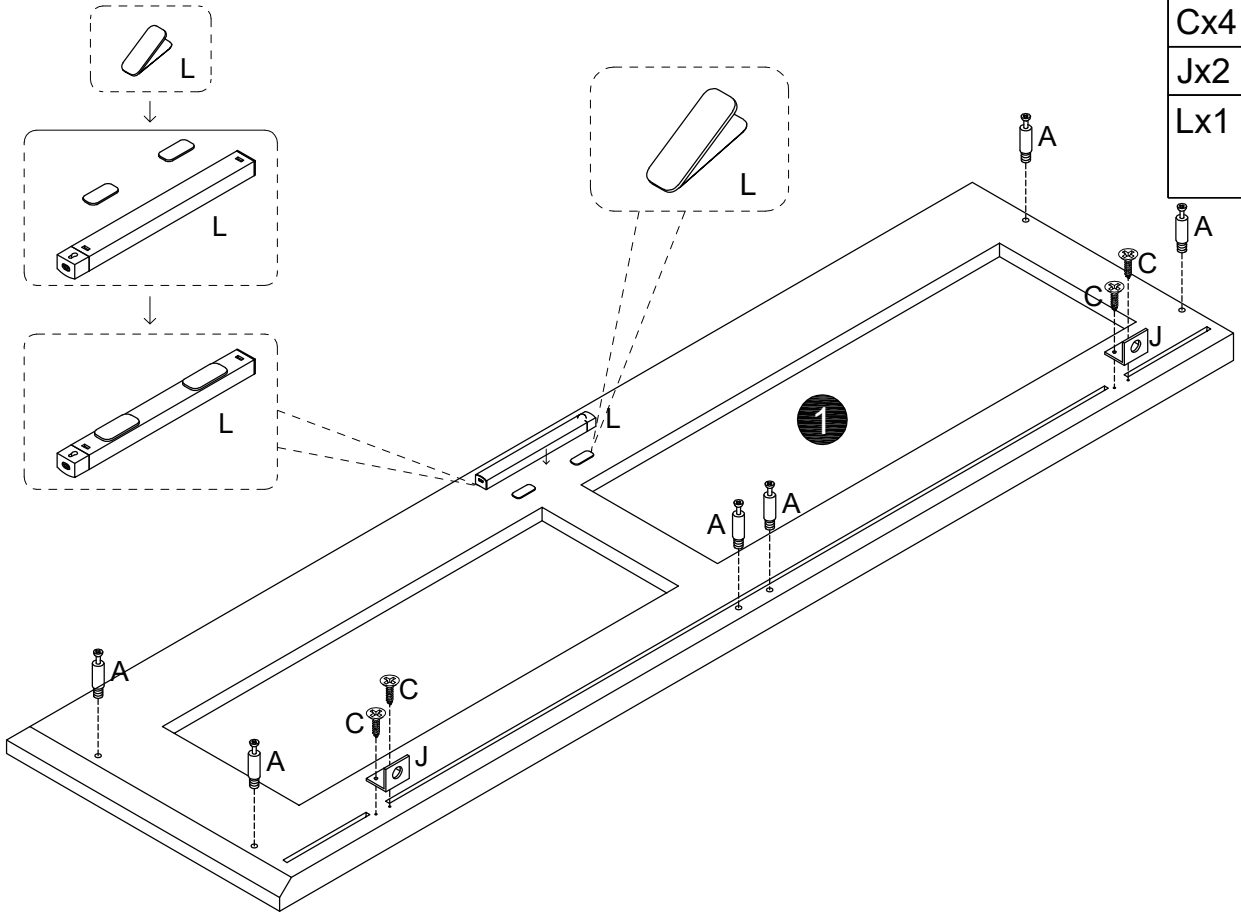
02

Ax6 



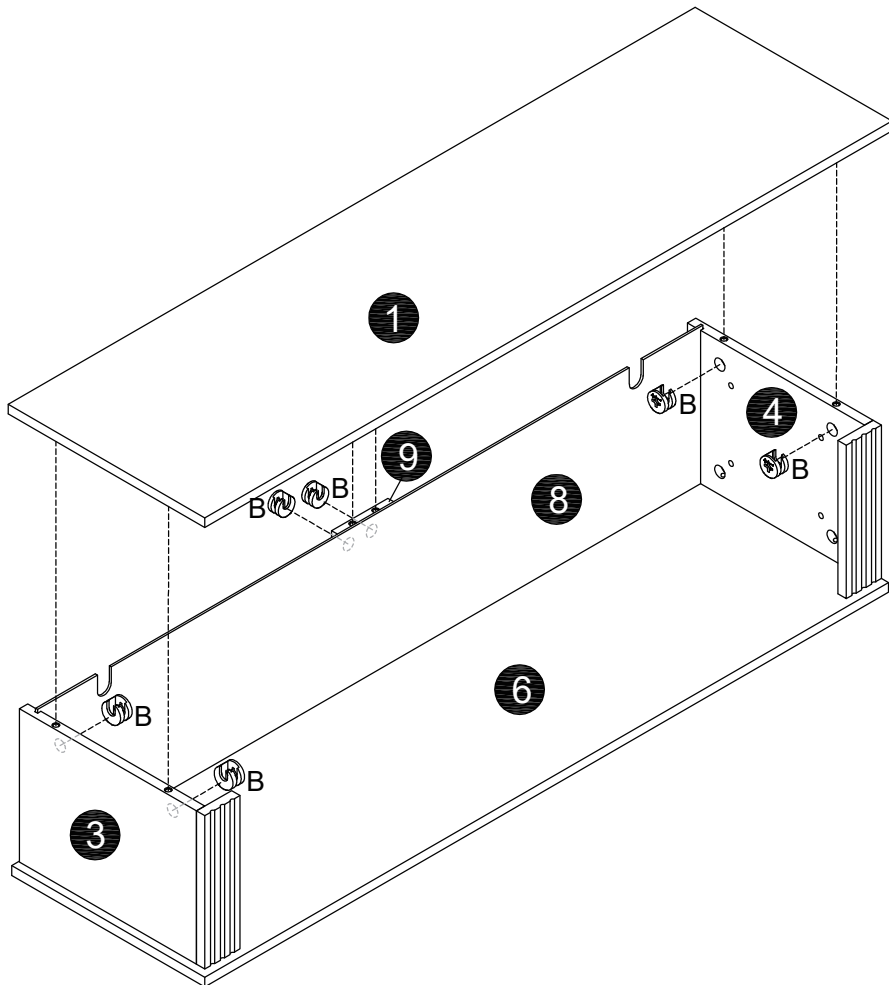


05



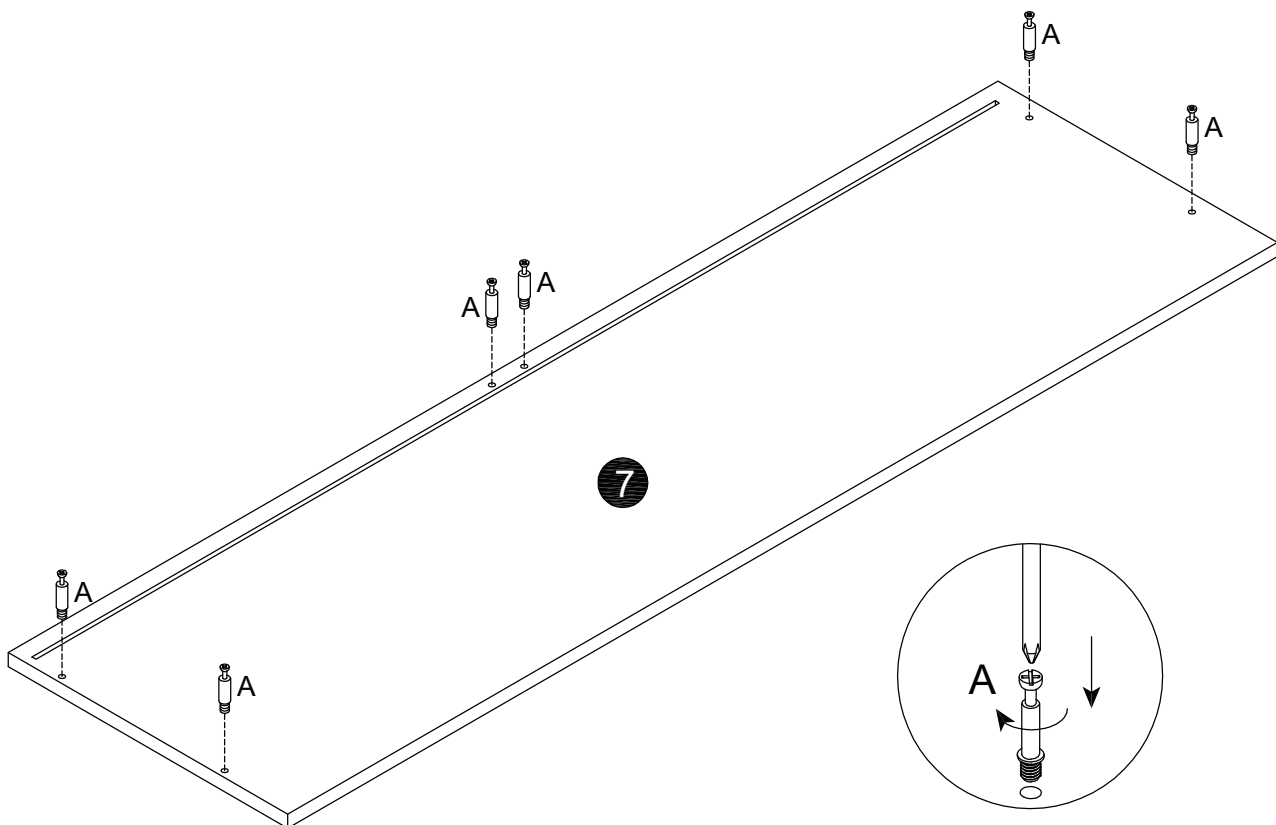
06

Bx6




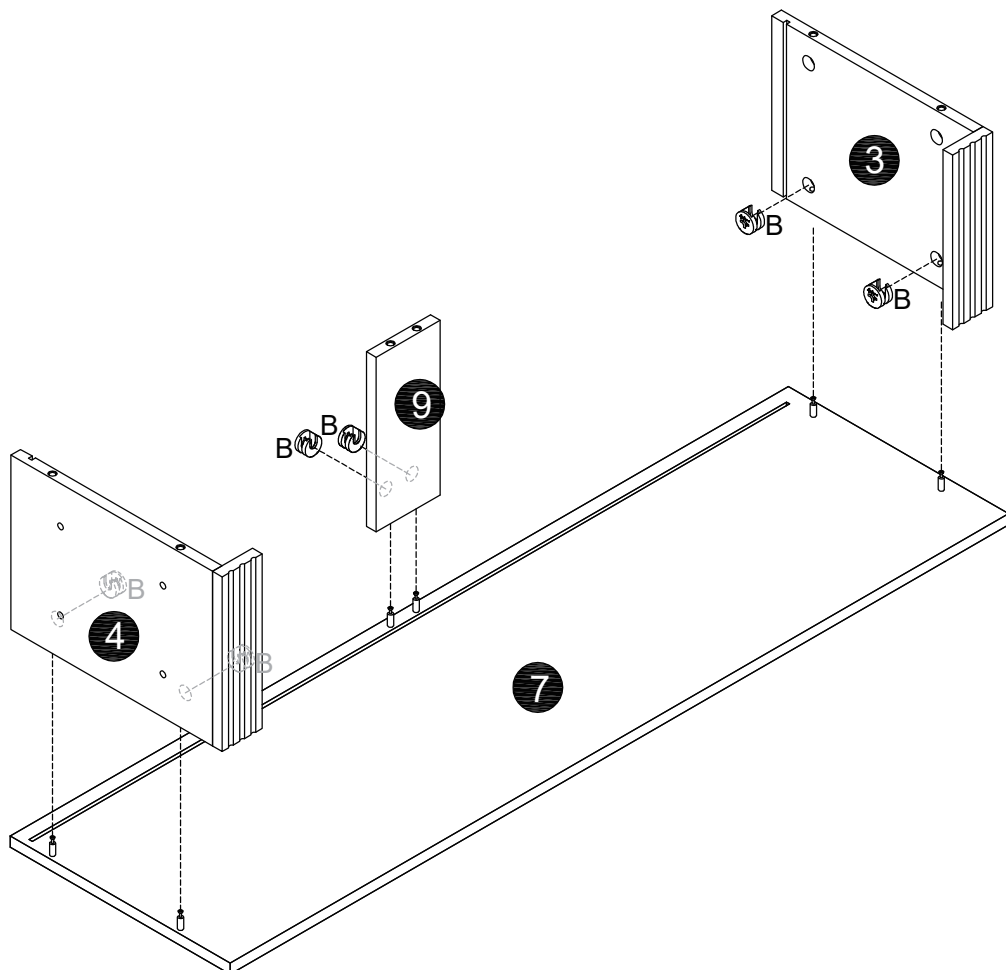
07

Ax6 

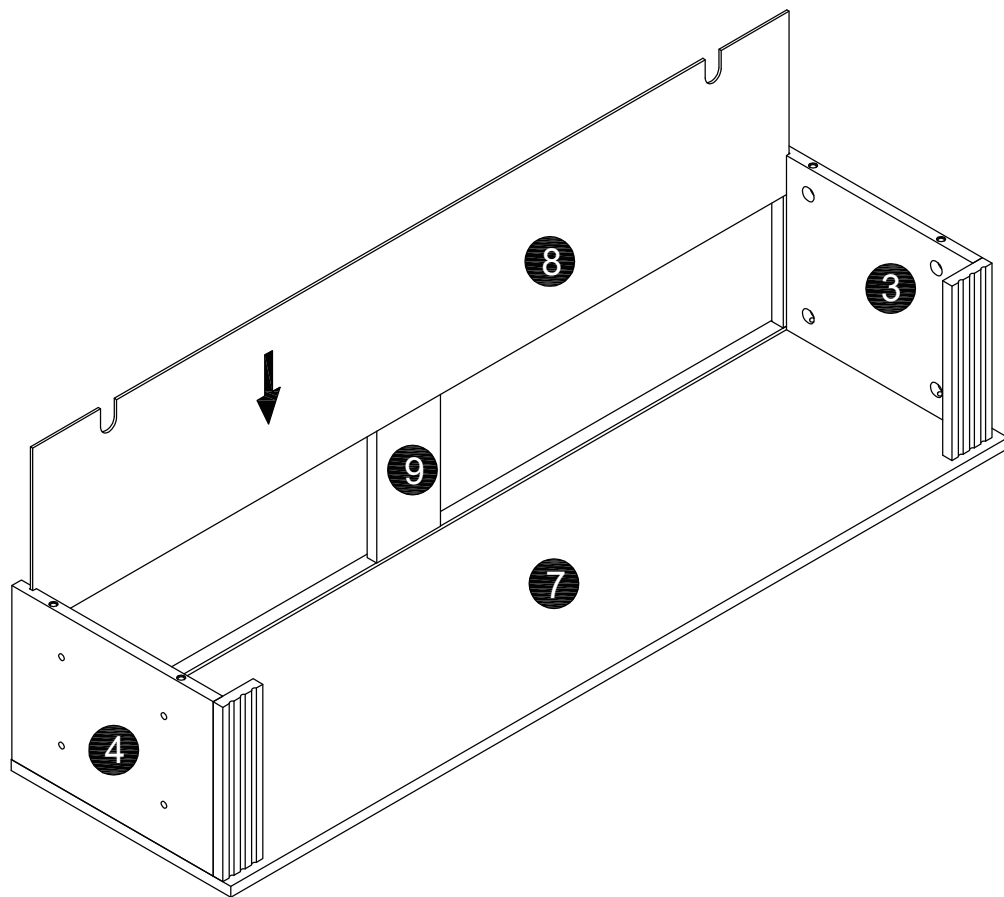


08

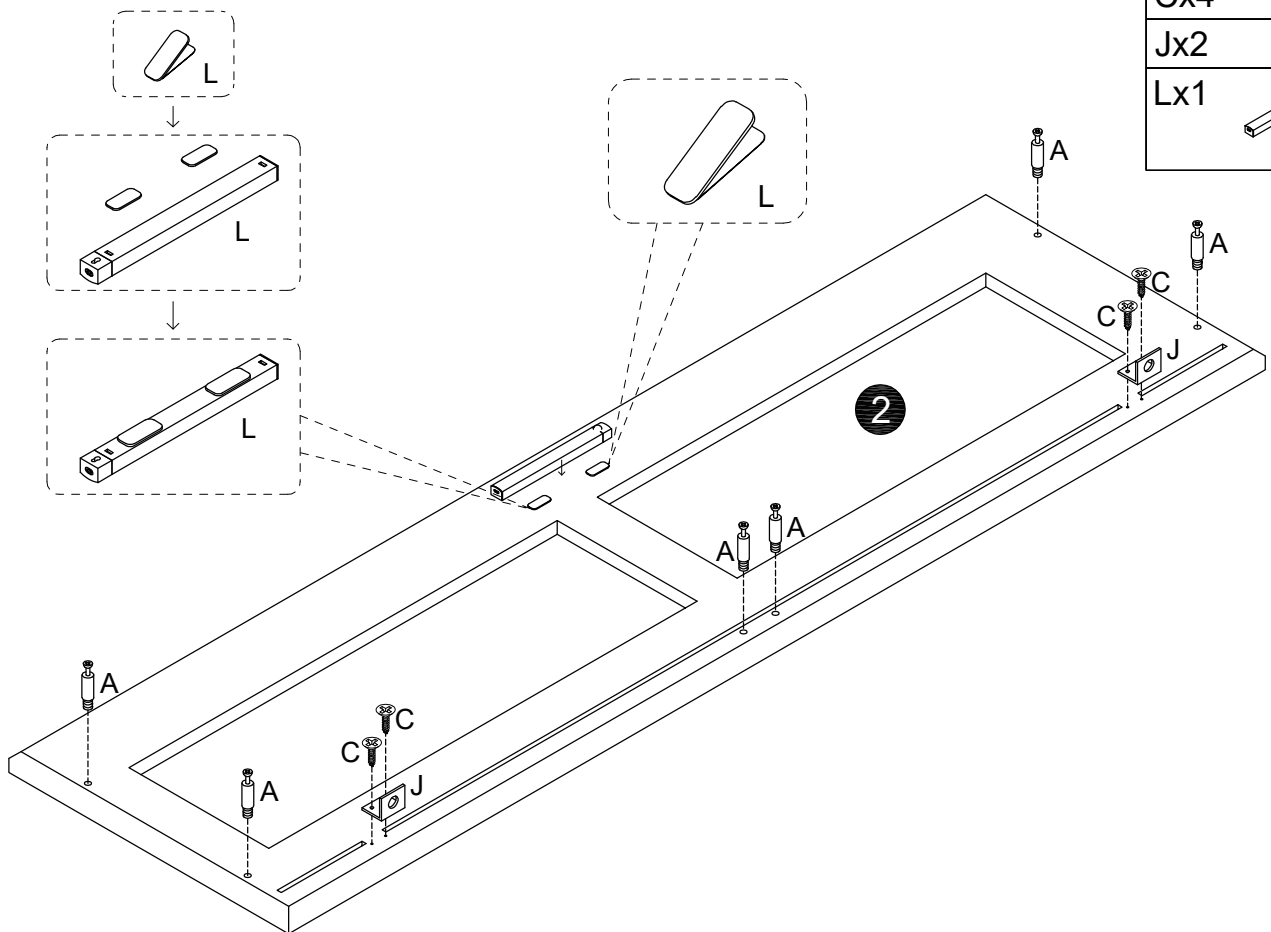
Bx6 



09

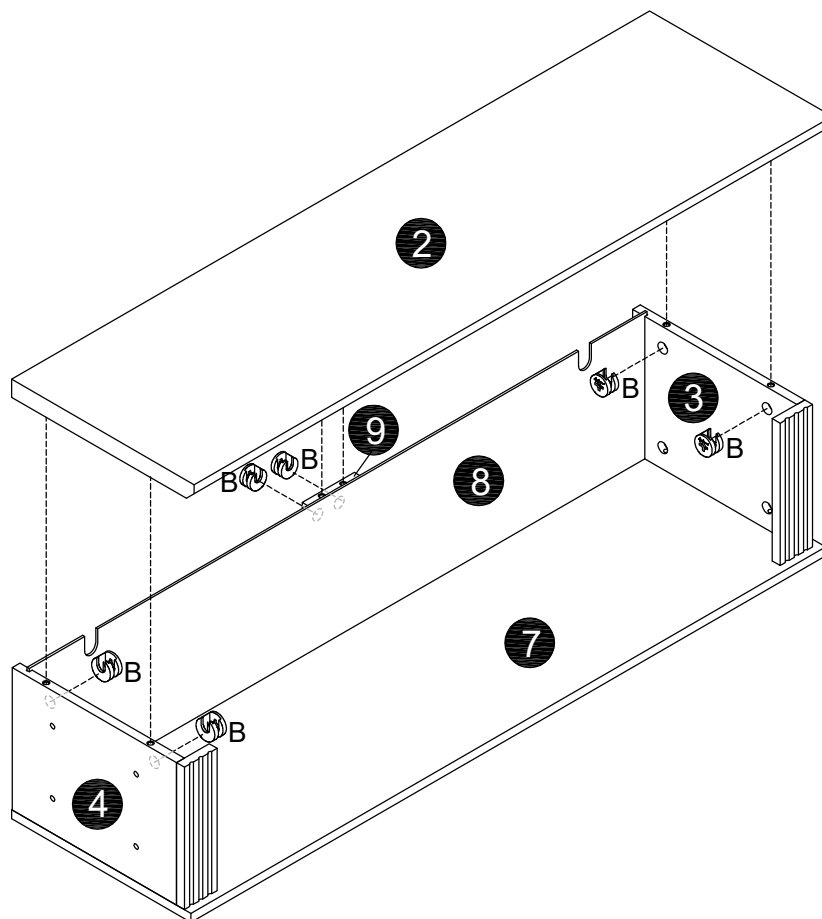


10



11

Bx6

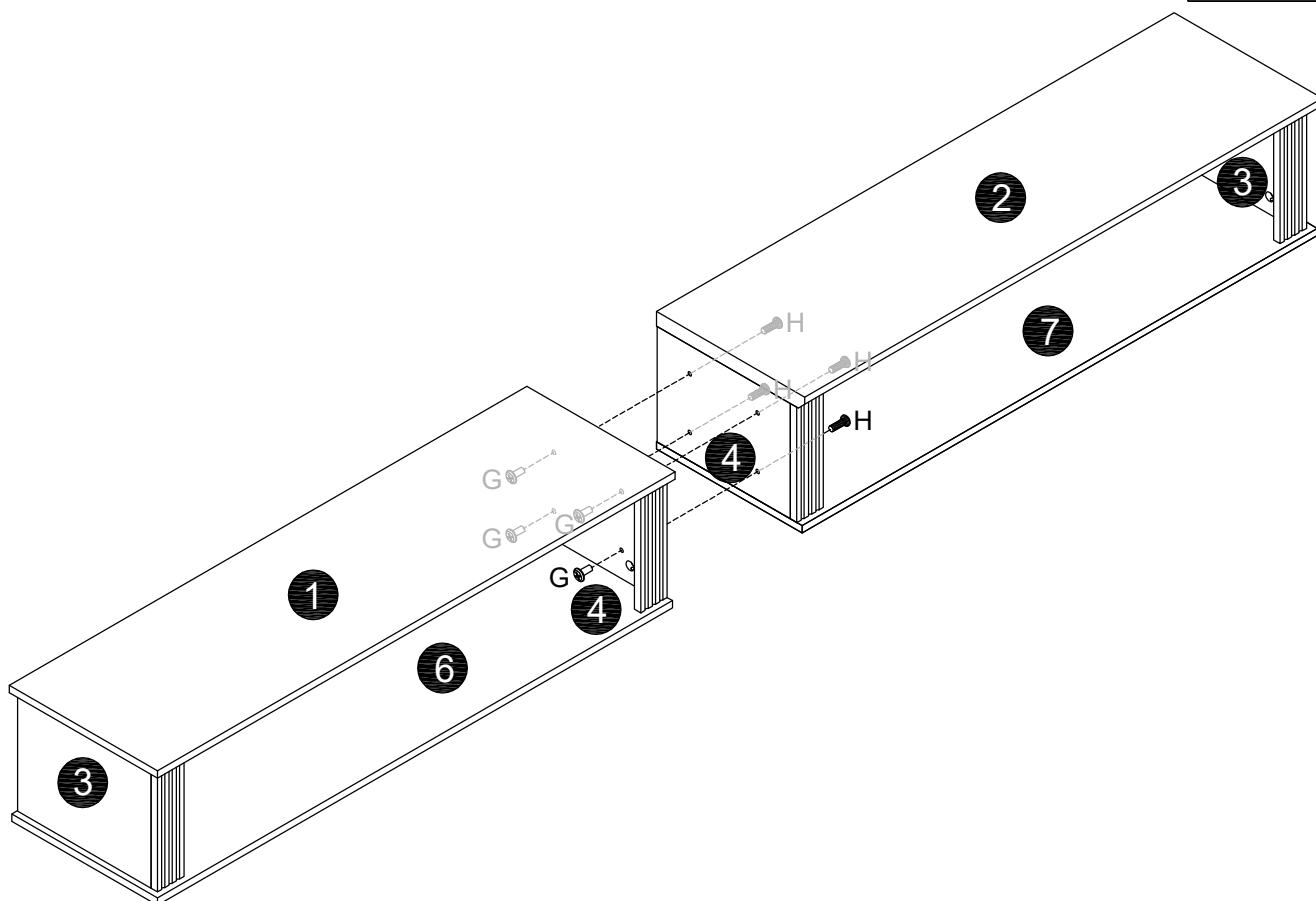


12

Gx4



Hx4





Install backboard nails can effectively enhance the stability of hte product and extend the life span of the product.

