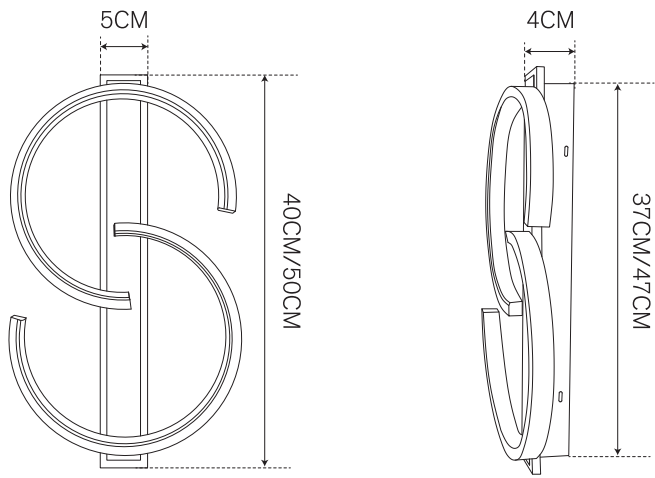
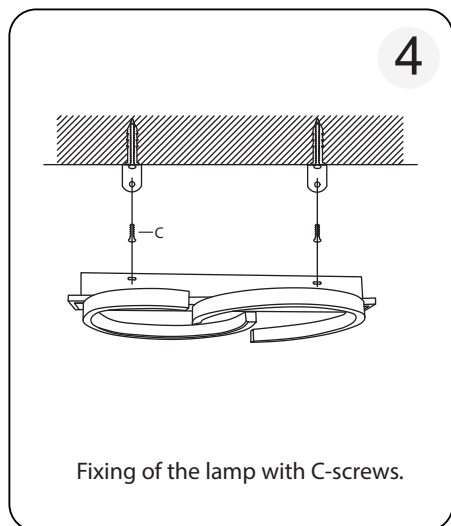
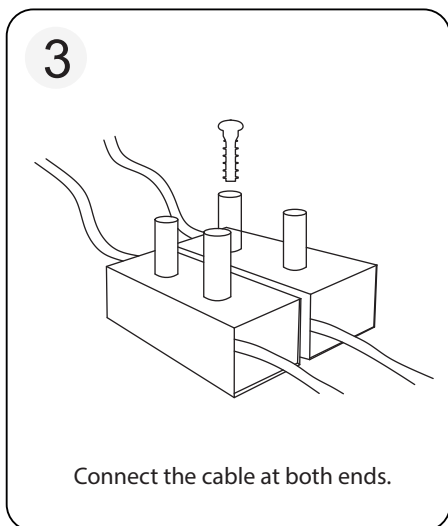
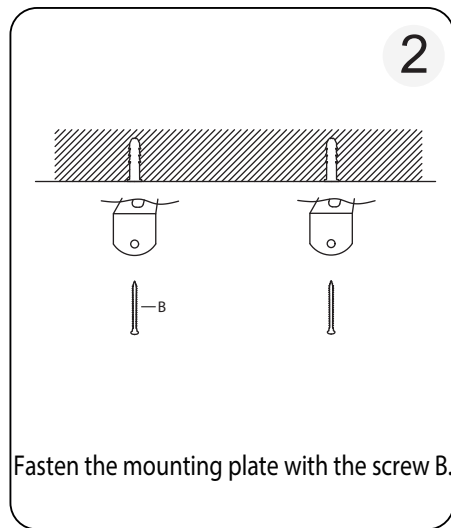
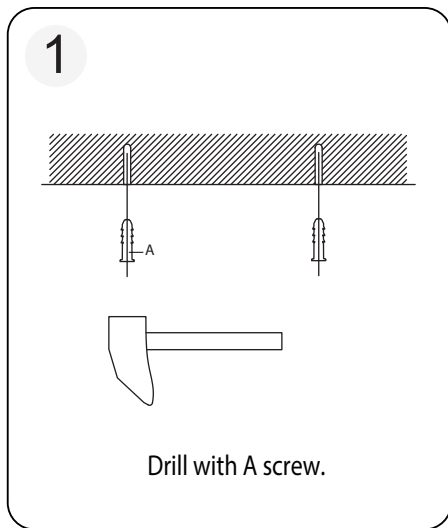


## ▶ Product Size



## ▶ Installation steps



## Double Round Ceiling Lamp



## ▶ Product parameters

**Product name:** Double Round Ceiling Lamp

**Size:** 40/50cm

**Power:** 35W/45W

**Shape:** Rectangle+Round

**Lumens:** 1800-2600lm

**Voltage:** 110V

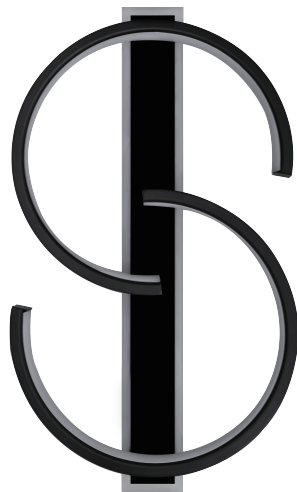
**Light source:** LED-Chip

**Color:** Matte black

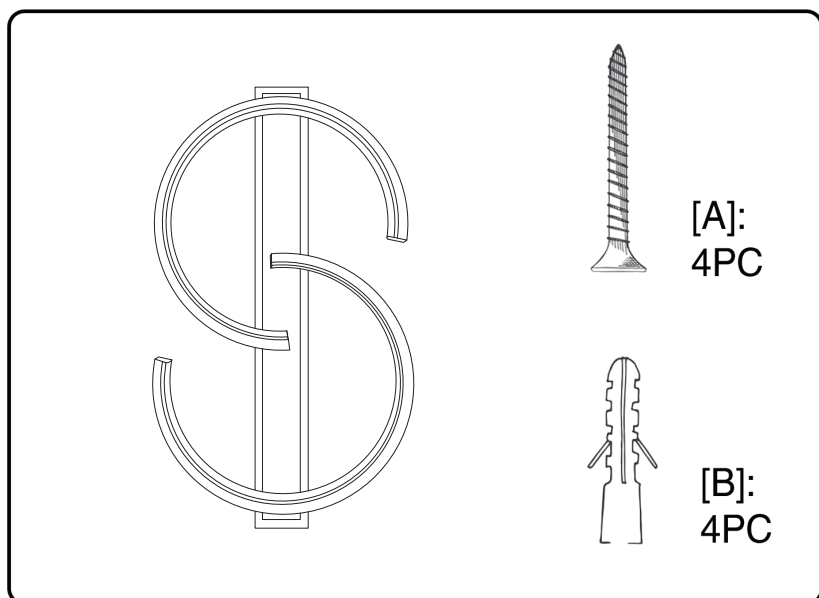
**Color temperature:** 3000K-6000K

**Certification:** CE

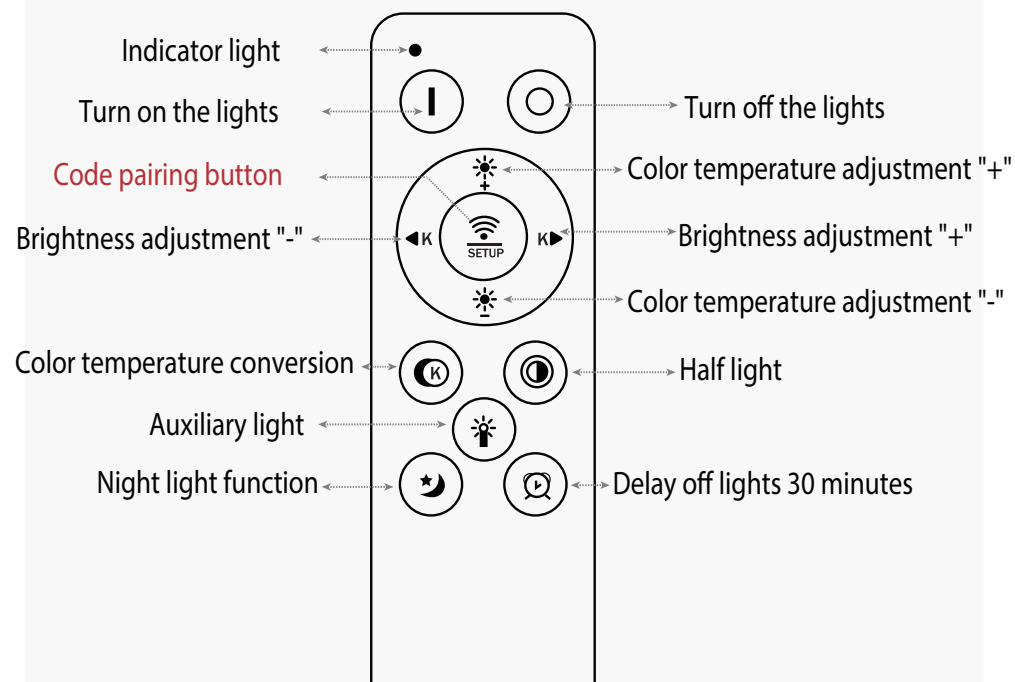
**CRI:** 90+



## ▶ Package




## ▶ Remote Control




## Important-Code Pairing

**1:** Use two No.7 batteries;

**2:** Code alignment method;

**Method1:** within 5 seconds after the lamp is powered on, long press "SETUP" , the lamp flashes, the code alignment is successful;

**Method2:** press "SETUP"  for 5 consecutive times after the lamp is powered on, the lamp flashes, the code alignment is successful;

**3:** Code clearance mode within 5 seconds, long press "open" for 5 seconds or so, remote control code clearance.