

# **INSTRUCTION MANUAL**

**12FT x 14FT Gazebo**

**Series A44**

IF YOU PURCHASED THE GAZEBO ONLINE AND HAVE ANY  
QUESTIONS OR CONCERNS  
PLEASE CONTACT US WITH EMAIL OR TEXT

Email : [Hiwarrantyservice@outlook.com](mailto:Hiwarrantyservice@outlook.com)

Text : +1 628 263 4608



A 4x



B1 2x



B2 2x



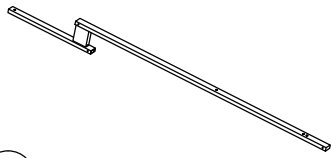
B3 2x



B4 2x



D 4x



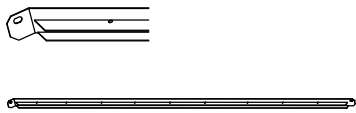
D1 6x



E5 4x



C1 4x



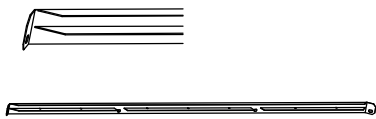
C2 4x



C3 2x



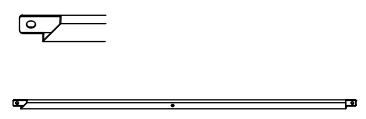
G1 2x



G2 2x



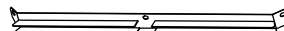
F1 4x



F2 4x



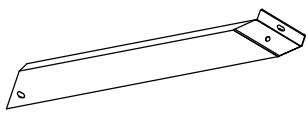
F3 2x



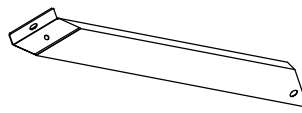
I1 2x



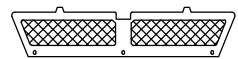
I2 2x



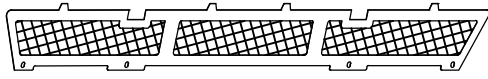
H 4x



H1 4x



V1 2x



V2 2x



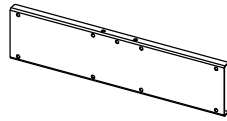
M2 1x



L2 1x



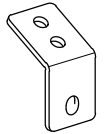
J 4x



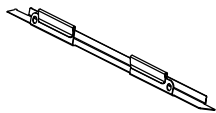
P 4x



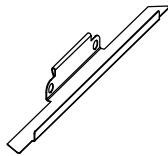
V 4x



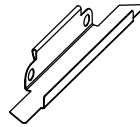
Q1 6x



Z 64x



Z1 8x



Z2 8x



Y 76x



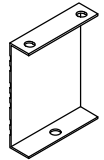
U 120x



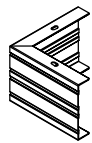
N 12x



N1 6x



K1 4x



K 4x



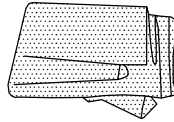
Q3 8x



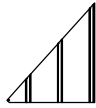
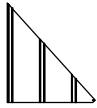
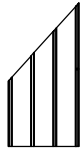



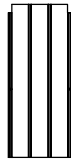
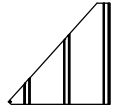
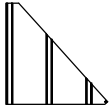
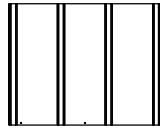




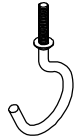

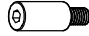


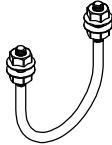


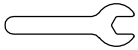

Q4 8x



T 4x



T1 4x

 <b>X1</b> 4x	 <b>X2</b> 4x	 <b>X3</b> 4x	 <b>X4</b> 4x
 <b>X5</b> 4x	 <b>X6</b> 4x	 <b>X10</b> 2x	
 <b>S1</b> 4x	 <b>S2</b> 4x	 <b>S3</b> 2x	
 M6x15 <b>1</b> 172x	 M6x23 <b>2</b> 68x	 M6x25 <b>3</b> 12x	 ST 4.8x12 <b>4</b> 8x
 <b>5</b> 2x	 M6x45 <b>7</b> 8x	 <b>8</b> 16x	 M6x10 <b>9</b> 8x
 <b>10</b> 12x	 <b>11</b> 1x	 <b>12</b> 2x 4mm	 <b>13</b> 1x 6mm
 <b>14</b> 1x	 M5x15 <b>15</b> 32x		

<1>

A 4x



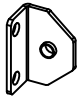
J 4x



Q3 8x



Q4 8x



M6x15

1 12x

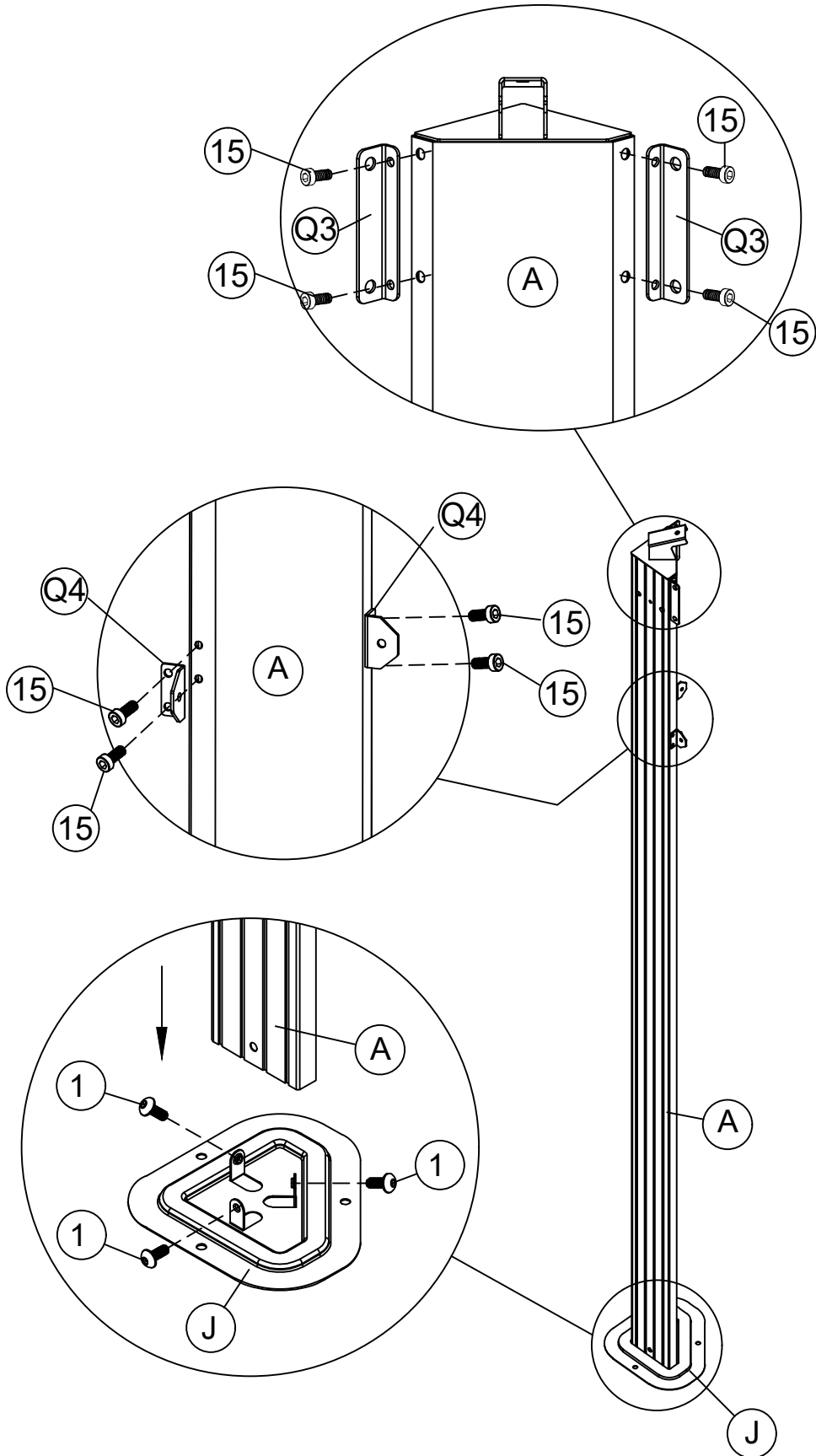


M5x15

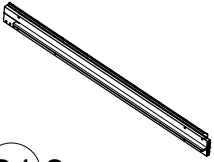
15 32x



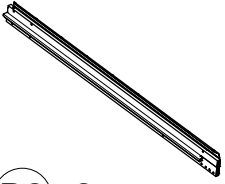
5



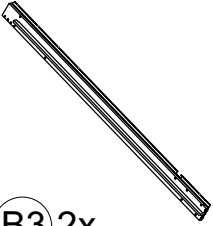
<2>



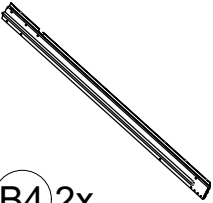
B1 2x



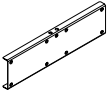
B2 2x



B3 2x



B4 2x

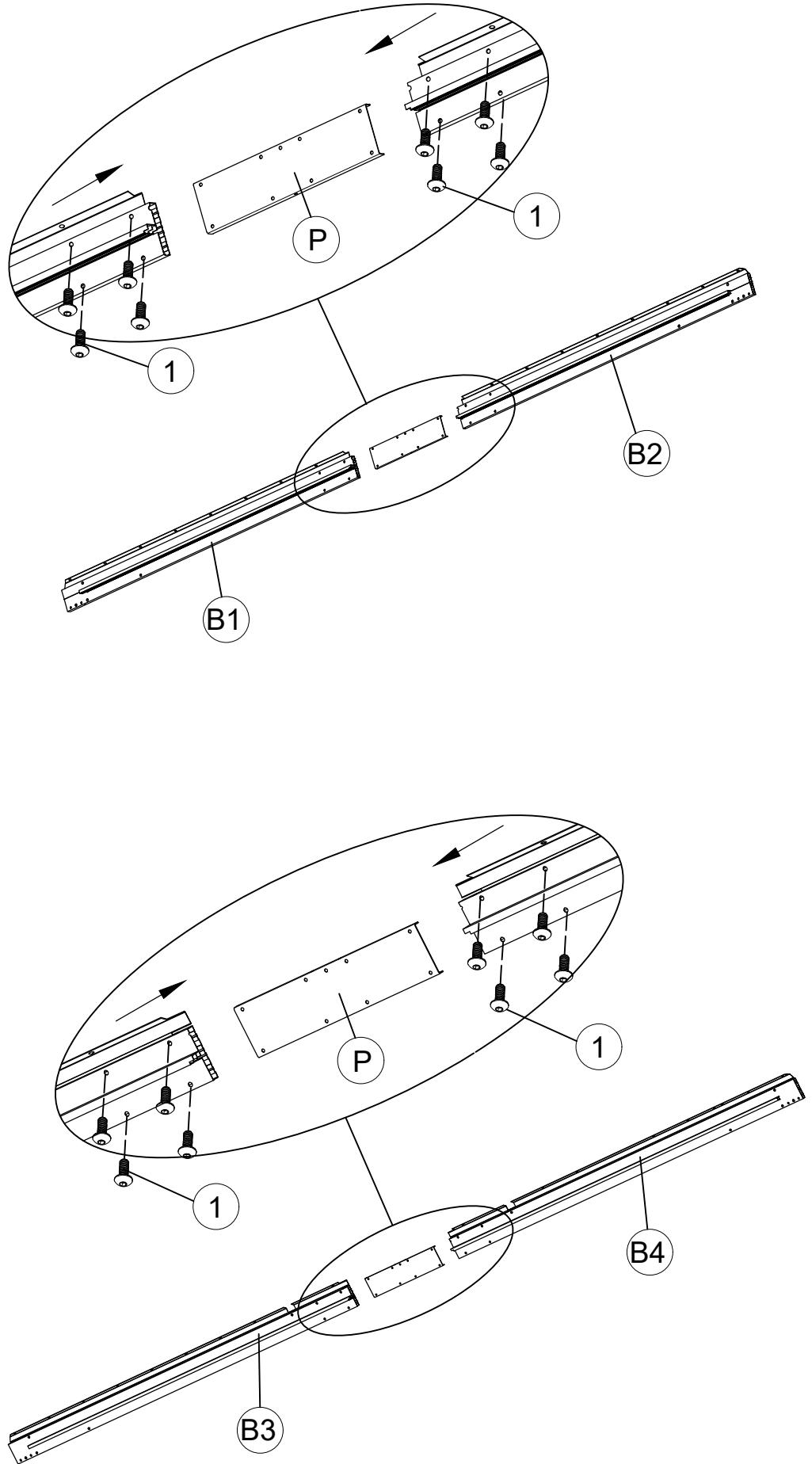


P 4x



M6x15

1 32x



6



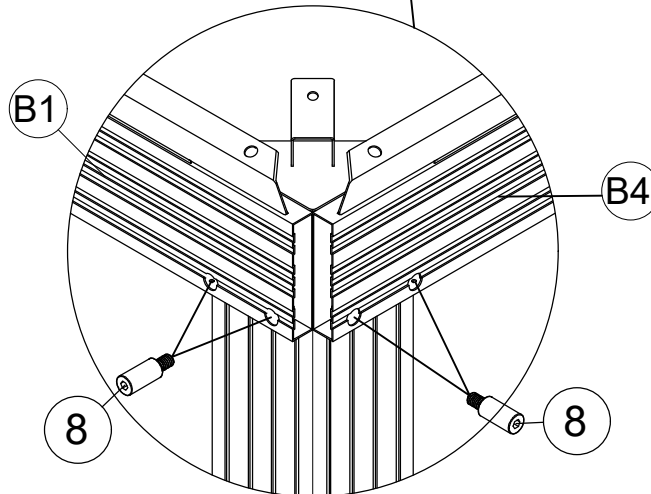
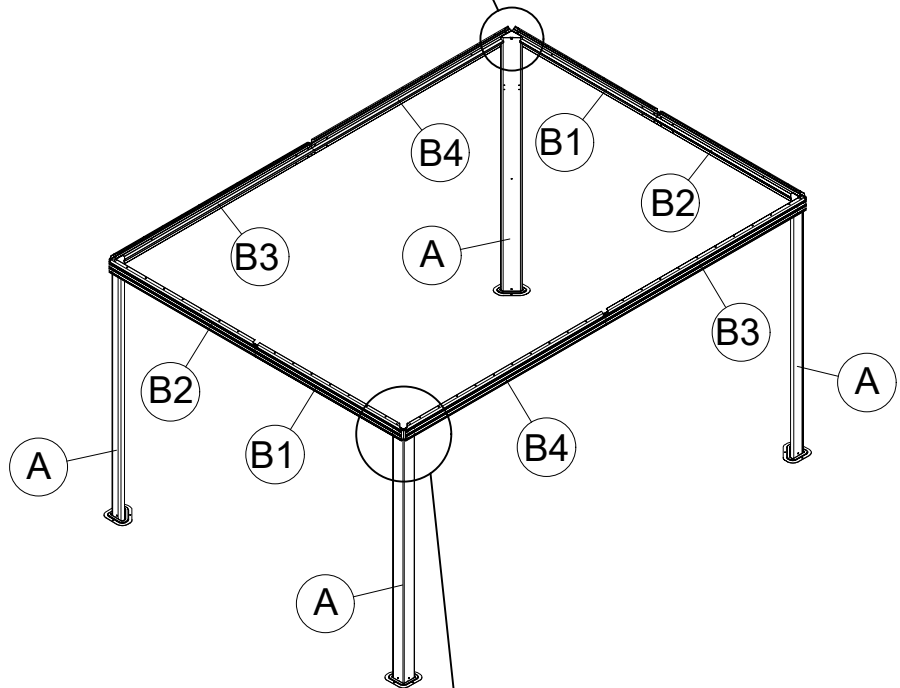
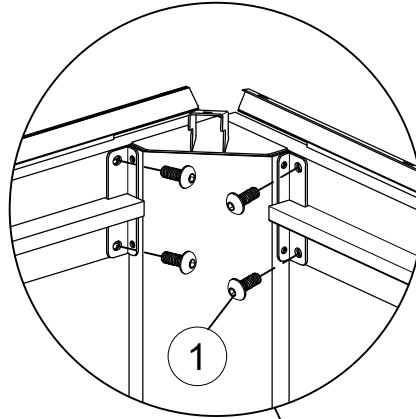
8 16x



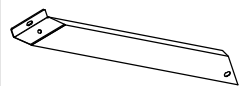
M6x15

1 16x

<3>



7



H1 4x



H 4x



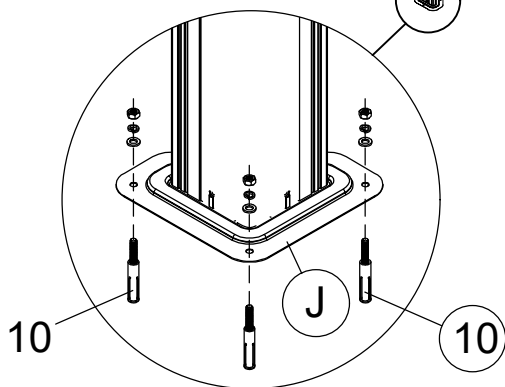
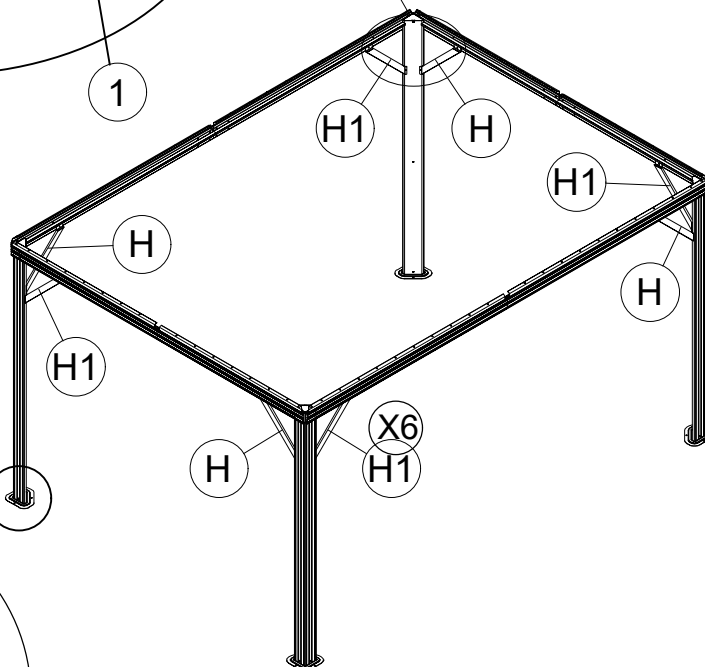
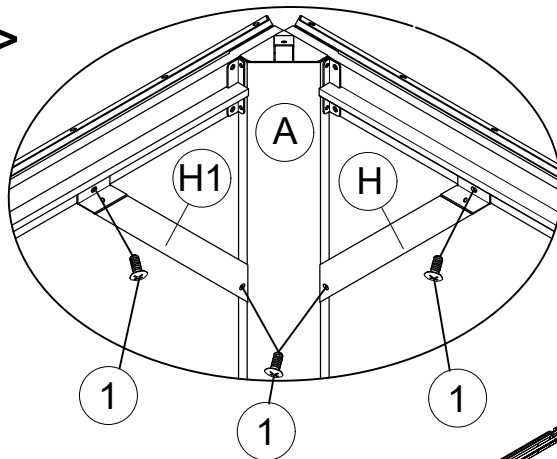
M6x15

1 16x

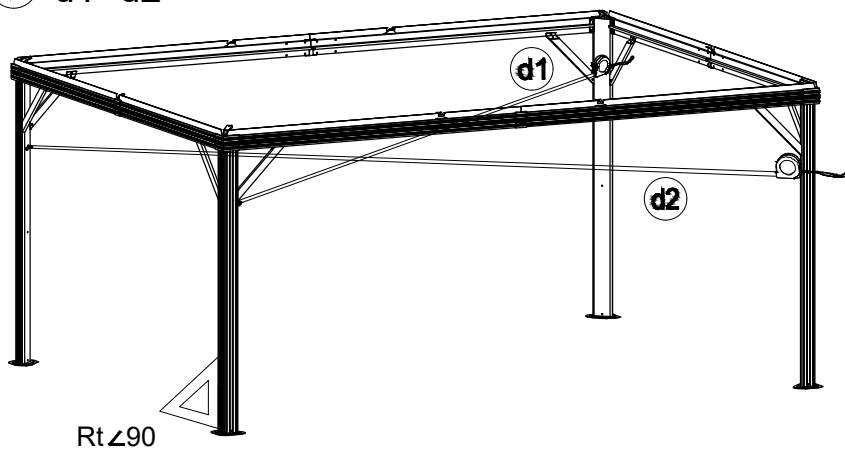


10 12x

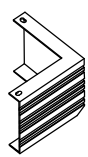
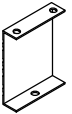




<4>



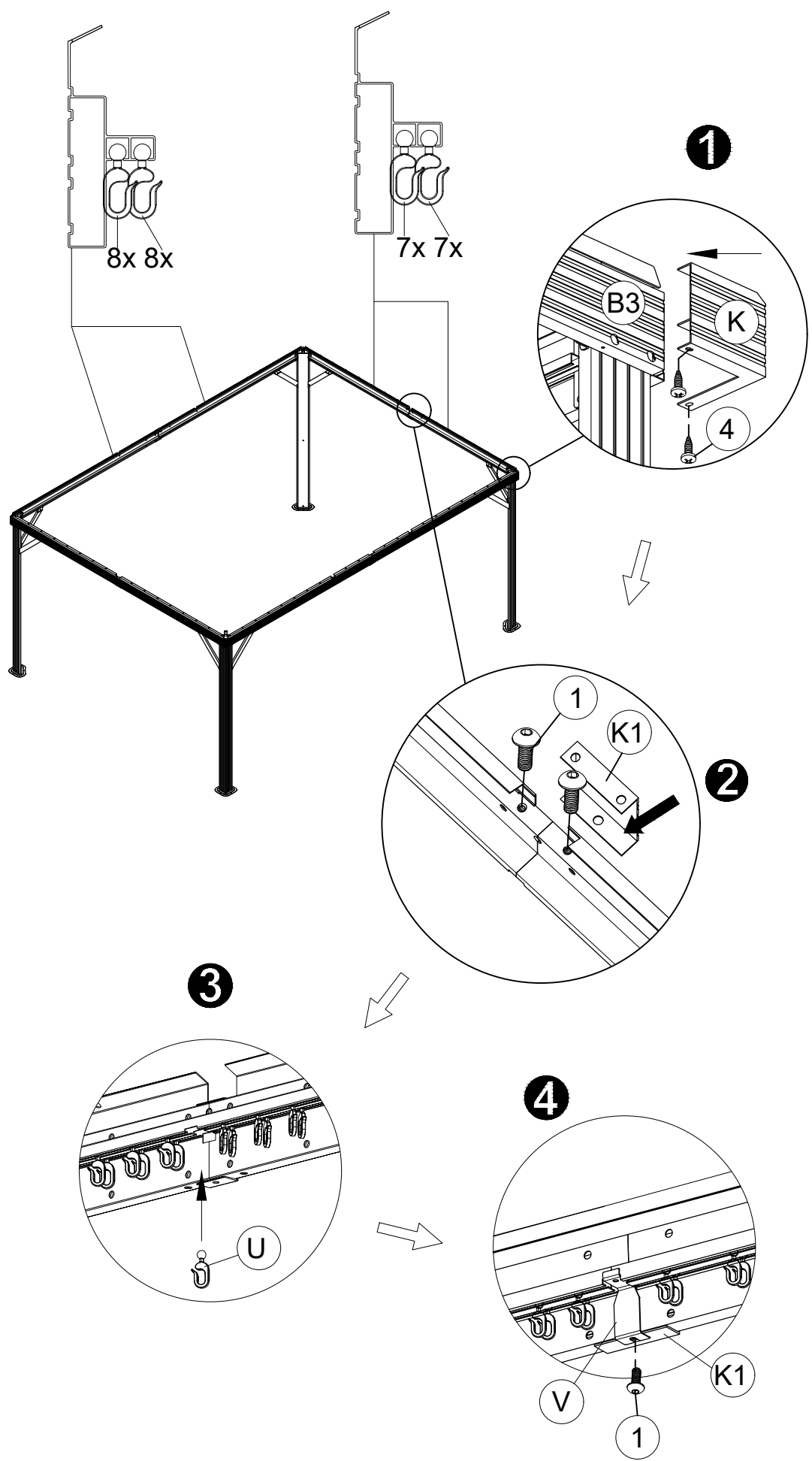
i d1=d2

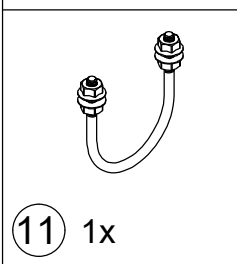
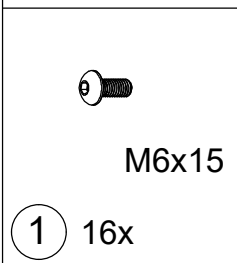
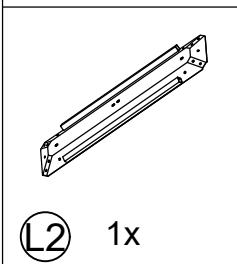
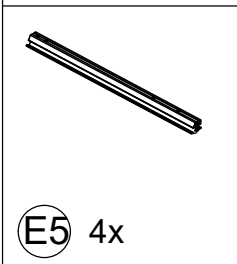
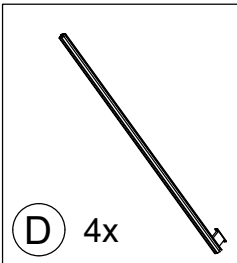


Tips: Please measure to make sure the length of d1 is equal to d2 before moving to next step to ensure a square frame and best results. Keep the beam at right angles to the post, the post at right angles to the ground, and keep the beam horizontal.

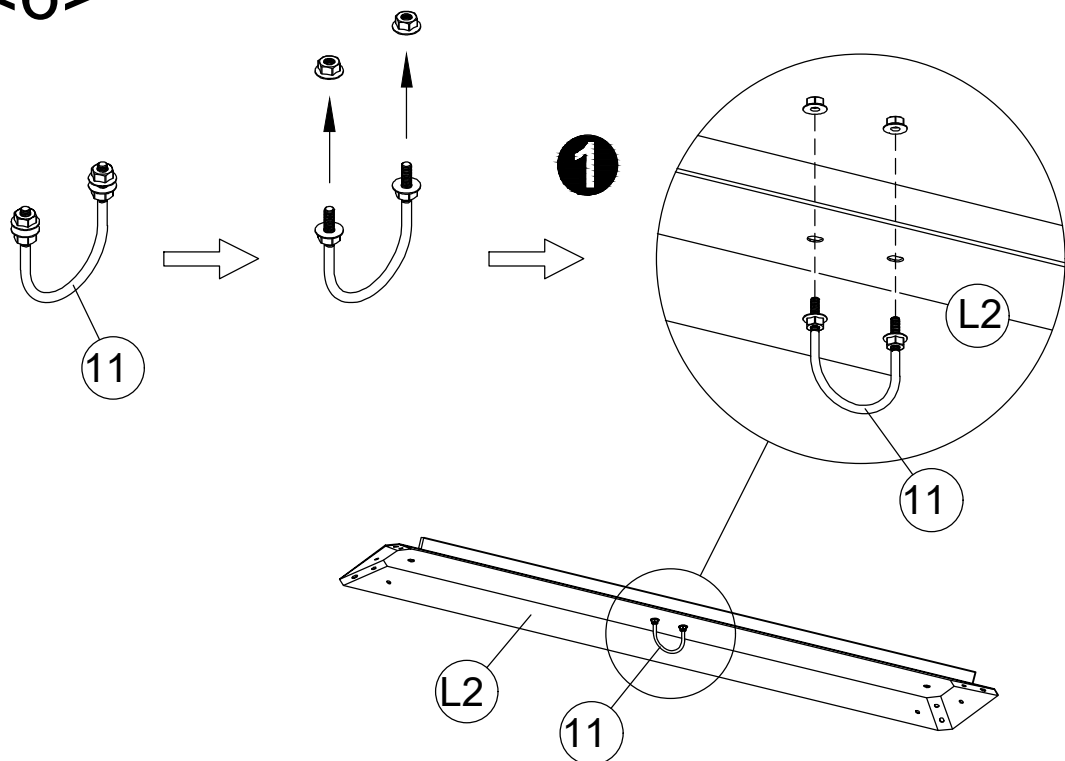
-  **K** 4x
-  **K1** 4x
-  **U** 120x
-  **V** 4x
-  **1** 12x  
M6x15
-  **4** 8x  
ST4.8x12
- 9**

<5>



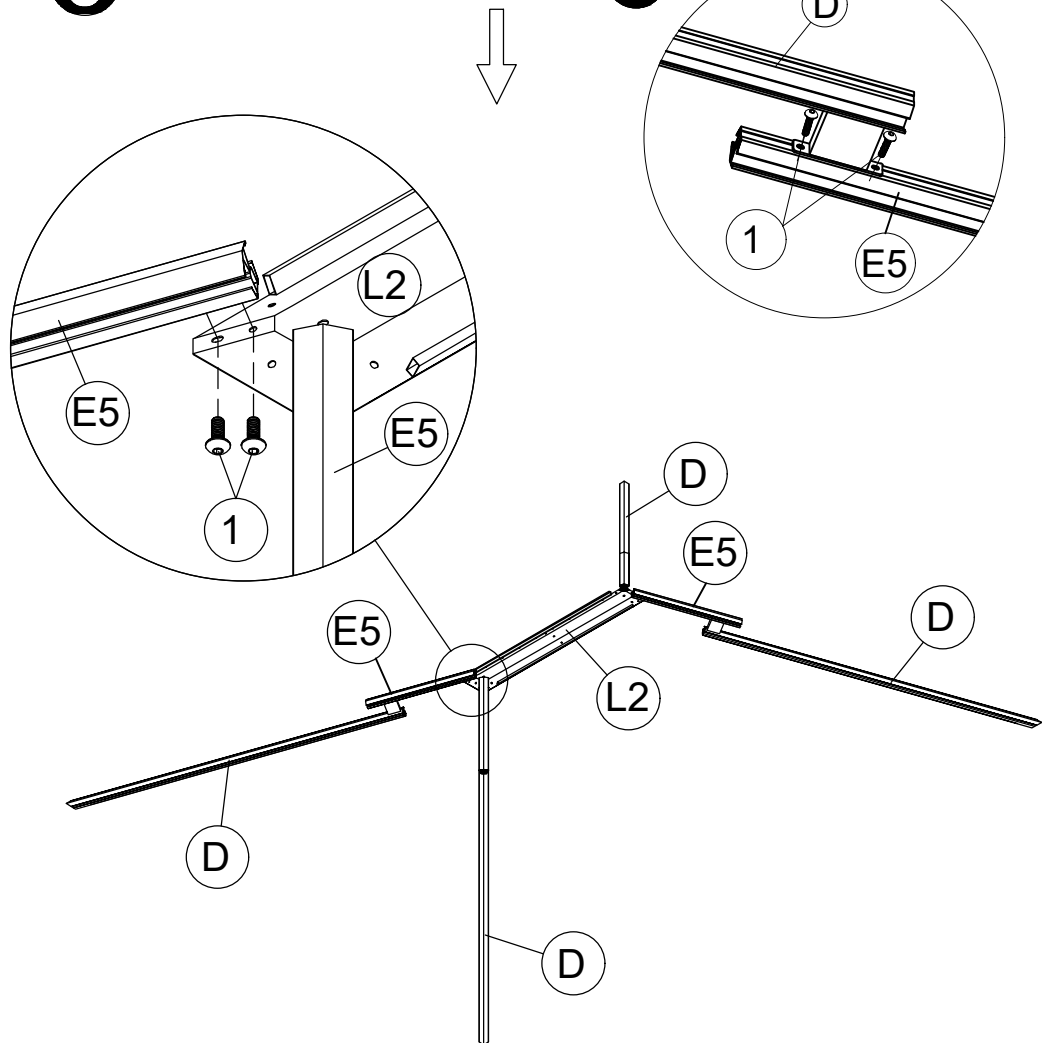


<6>



3

2

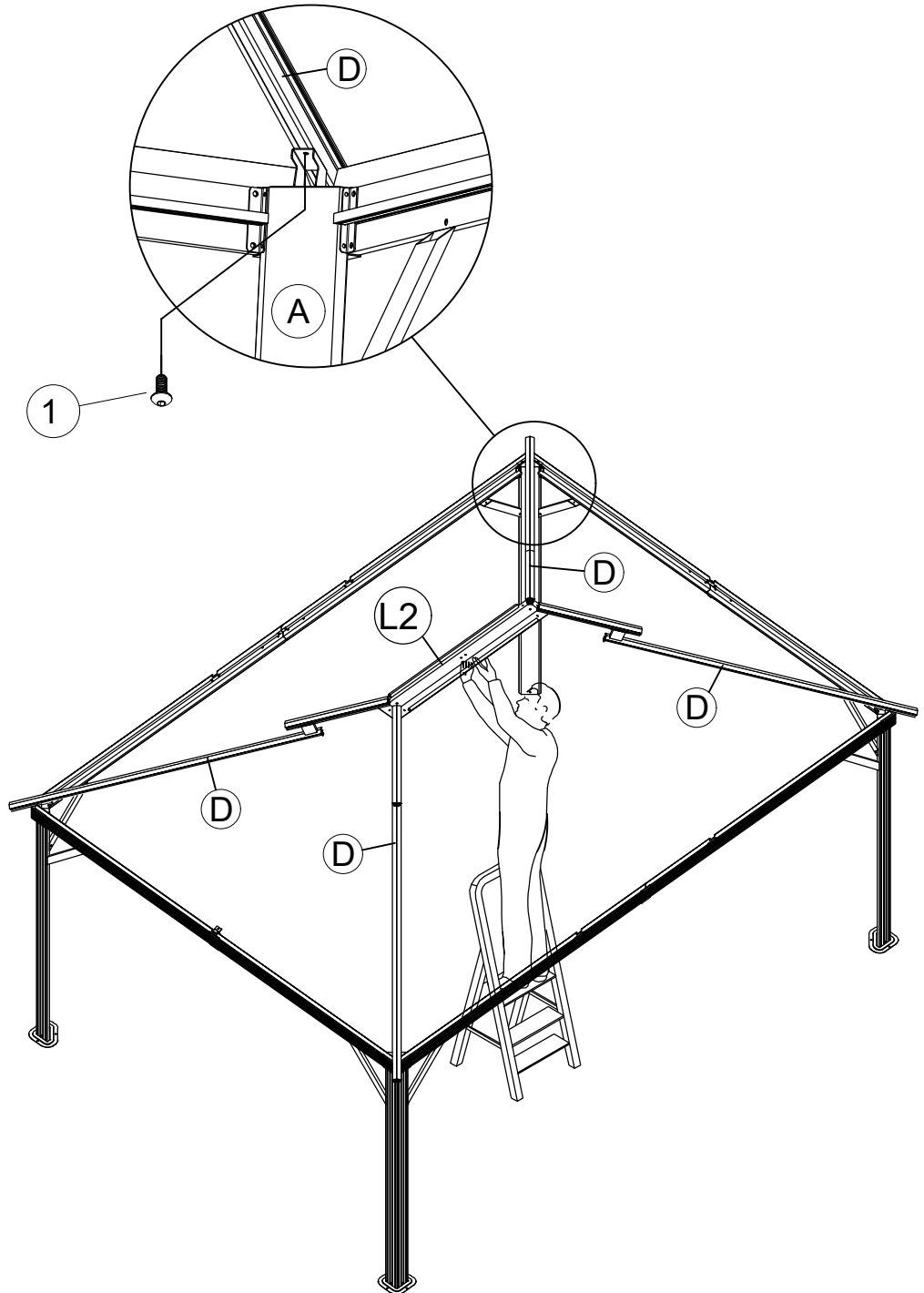




<7>

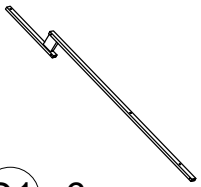
1

4x M6x15

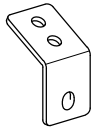


Note:

1. Let one person stand on the ladder to lift "L2" and hold and let others fasten the screws connecting both ends of "D".
2. Please do not let go of holding "L2" until all the "D" screws are installed.



D1 6x



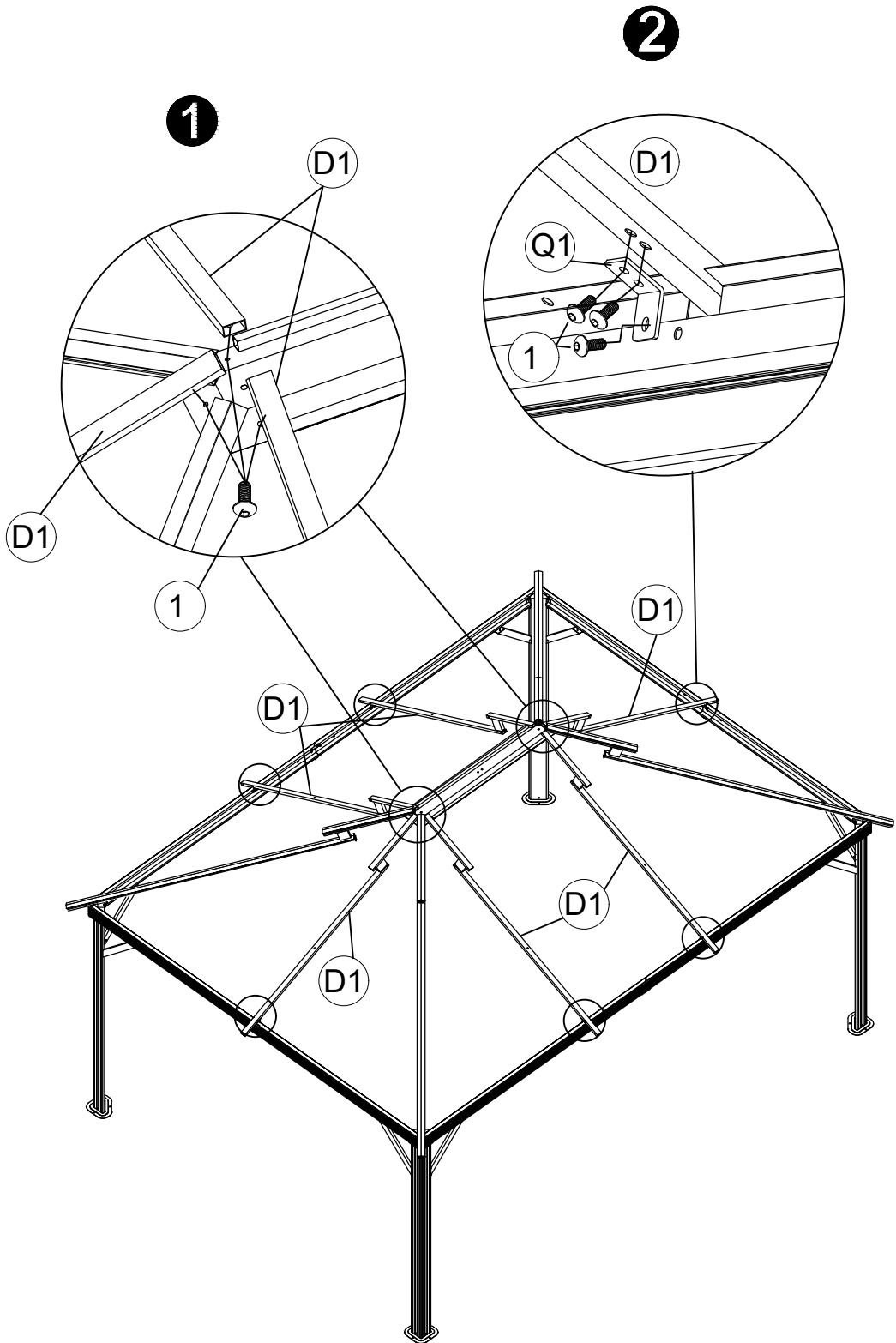
Q1 6x



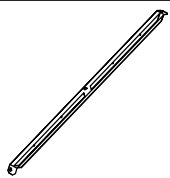
M6x15

1 24x

<8>



<9>



G1 2x



G2 2x

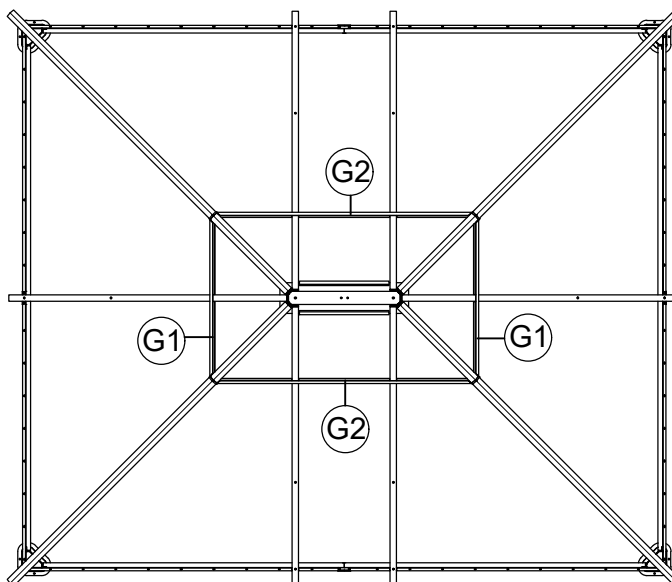
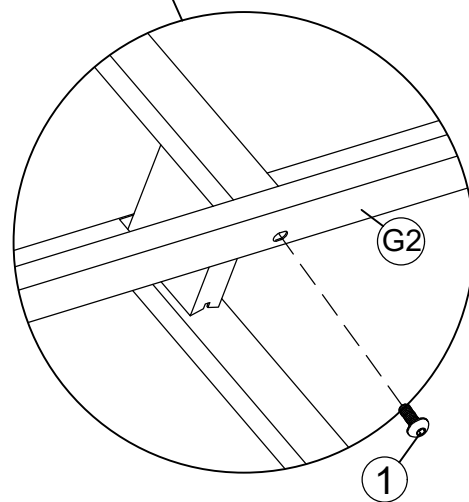
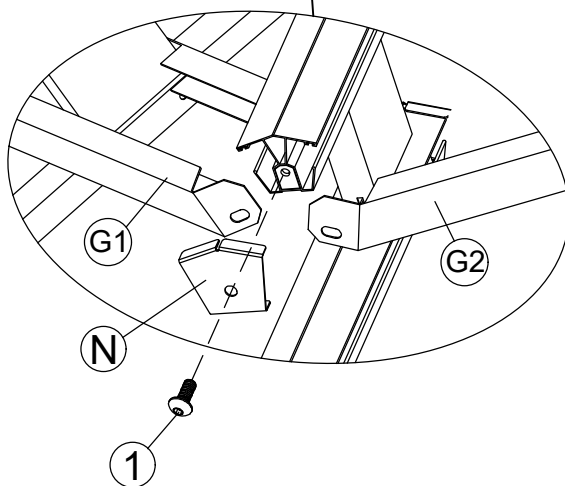
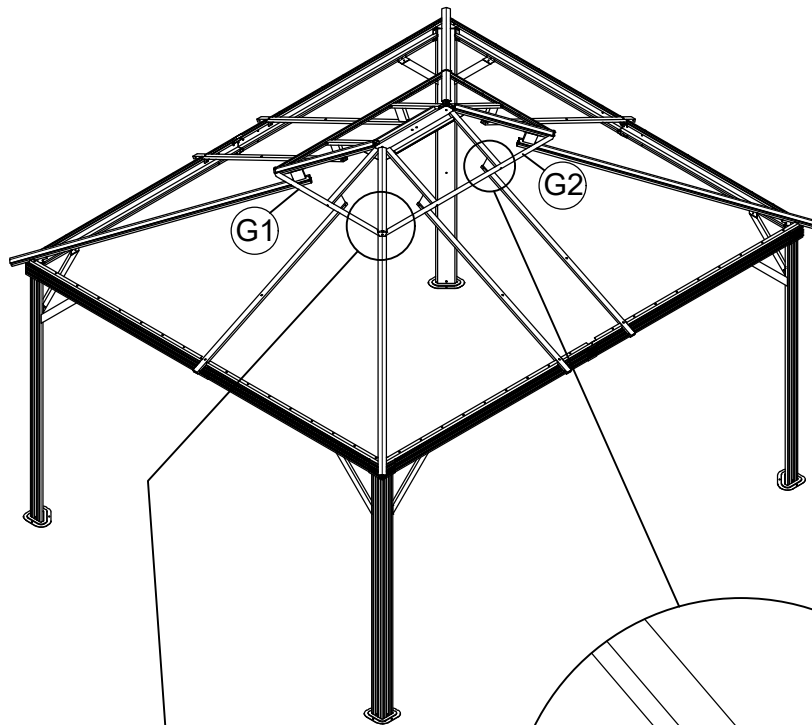


N 4x

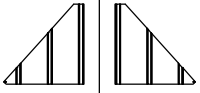


M6x15

1 10x



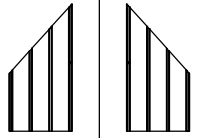
<10>



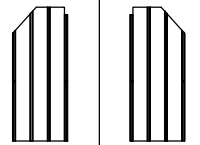
(S1) 2x (S2) 2x



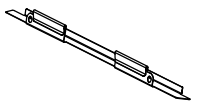
(X1) 2x (X2) 2x



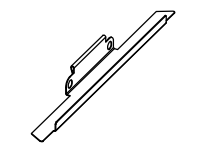
(X3) 2x (X4) 2x



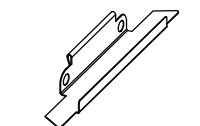
(X5) 2x (X6) 2x



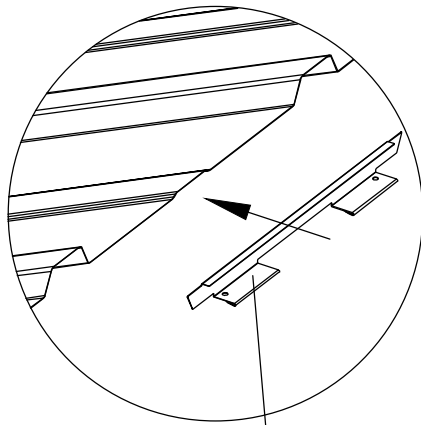
(Z) 32x



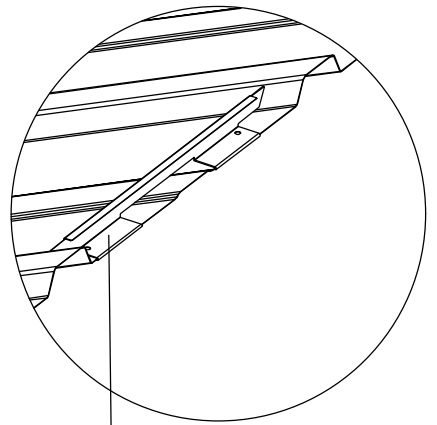
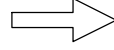
(Z1) 4x



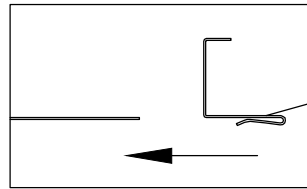
(Z2) 4x



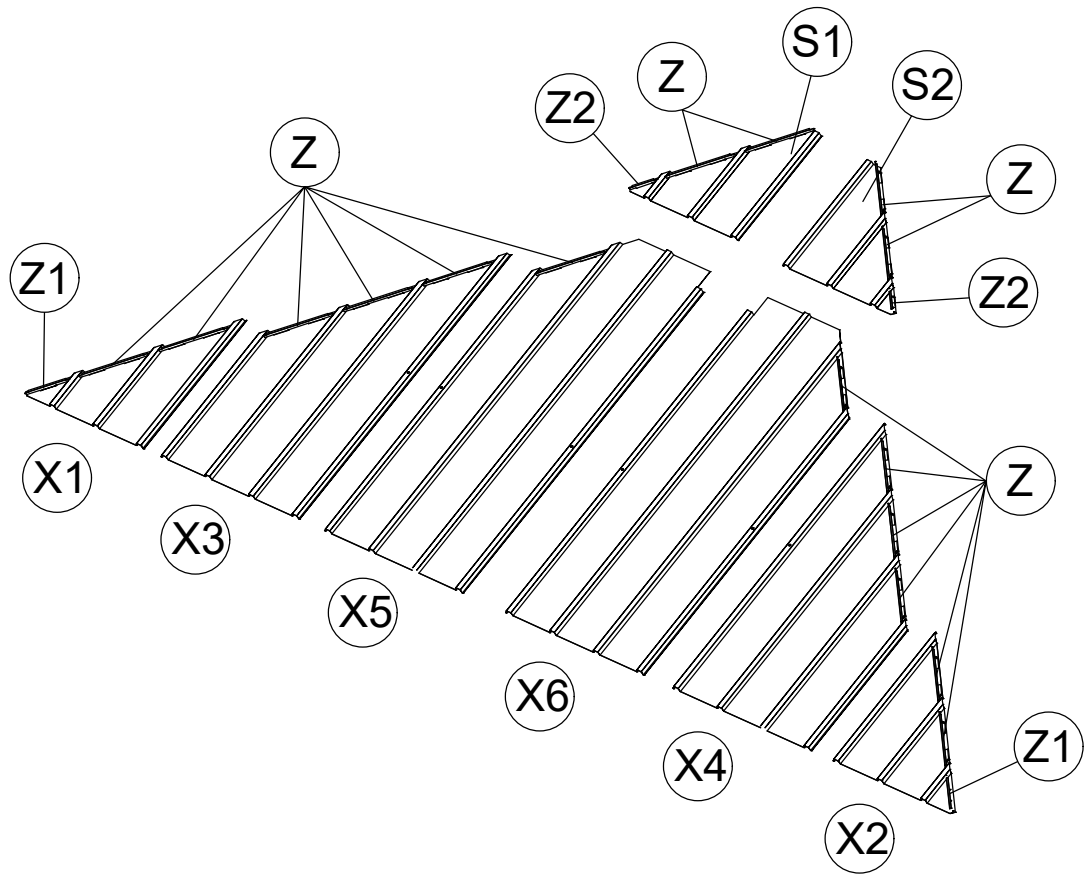
(Z) or (Z1) or (Z2)



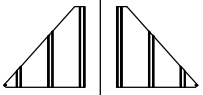
(Z) or (Z1) or (Z2)



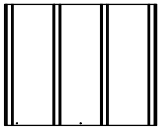
(Z) or (Z1) or (Z2)



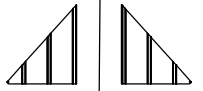
<11>



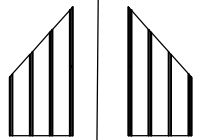
(S1) 2x (S2) 2x



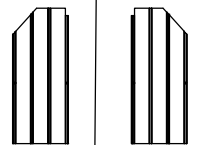
(S3) 2x



(X1) 2x (X2) 2x



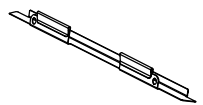
(X3) 2x (X4) 2x



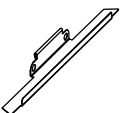
(X5) 2x (X6) 2x



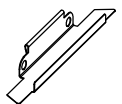
(X10) 2x



(Z) 32x

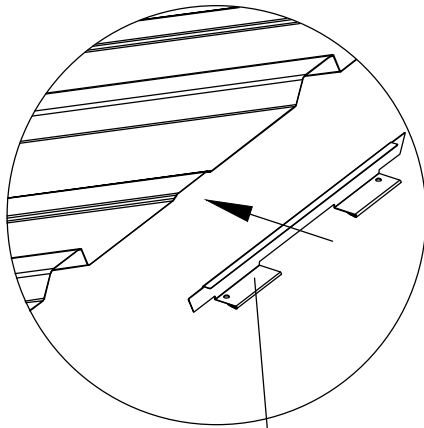


(Z1) 4x

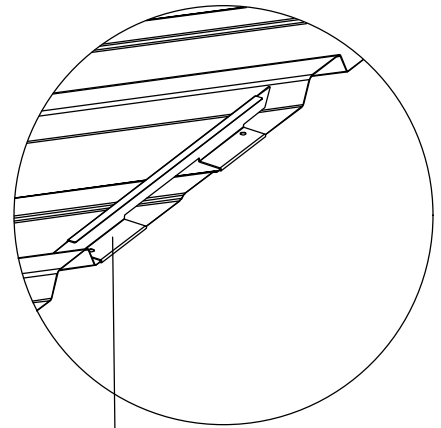


(Z2) 4x

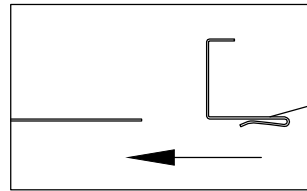
15



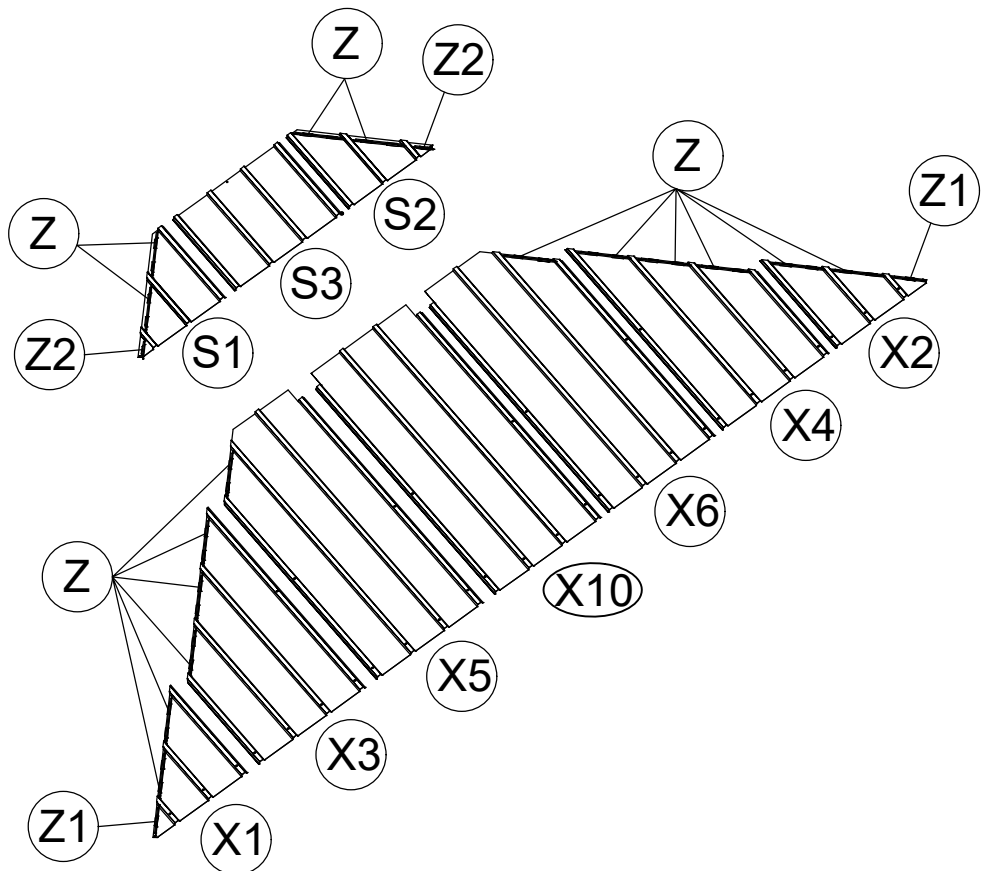
(Z) or (Z1) or (Z2)



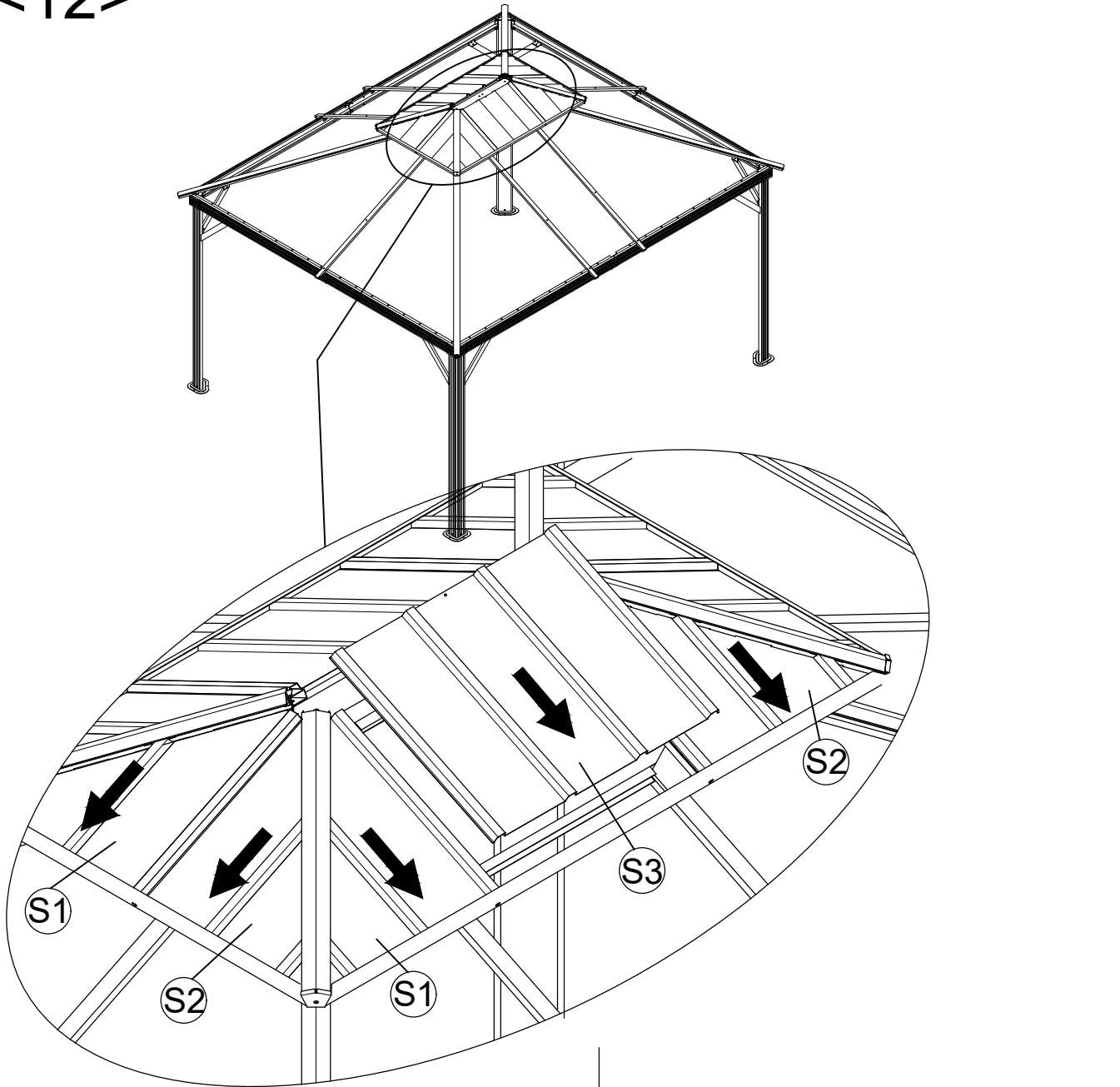
(Z) or (Z1) or (Z2)



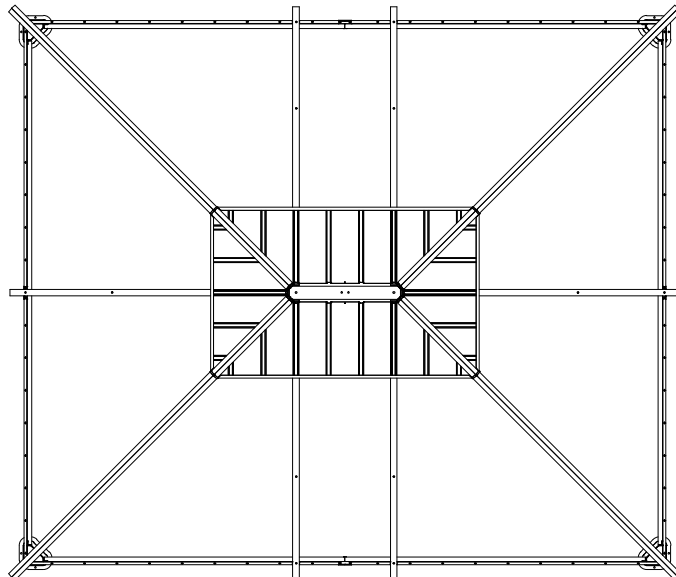
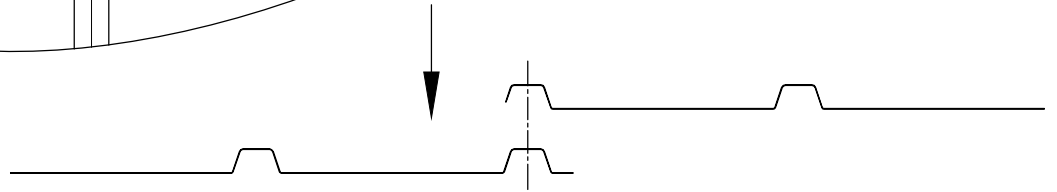
(Z) or (Z1) or (Z2)



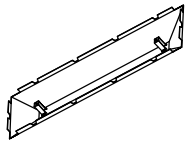
<12>



When installing the Roof plates (S2) onto short side, pls detach the right end of Roof Rib(G1) first. And then install the right end of Roof Rib (G1) again after S2 is installed.



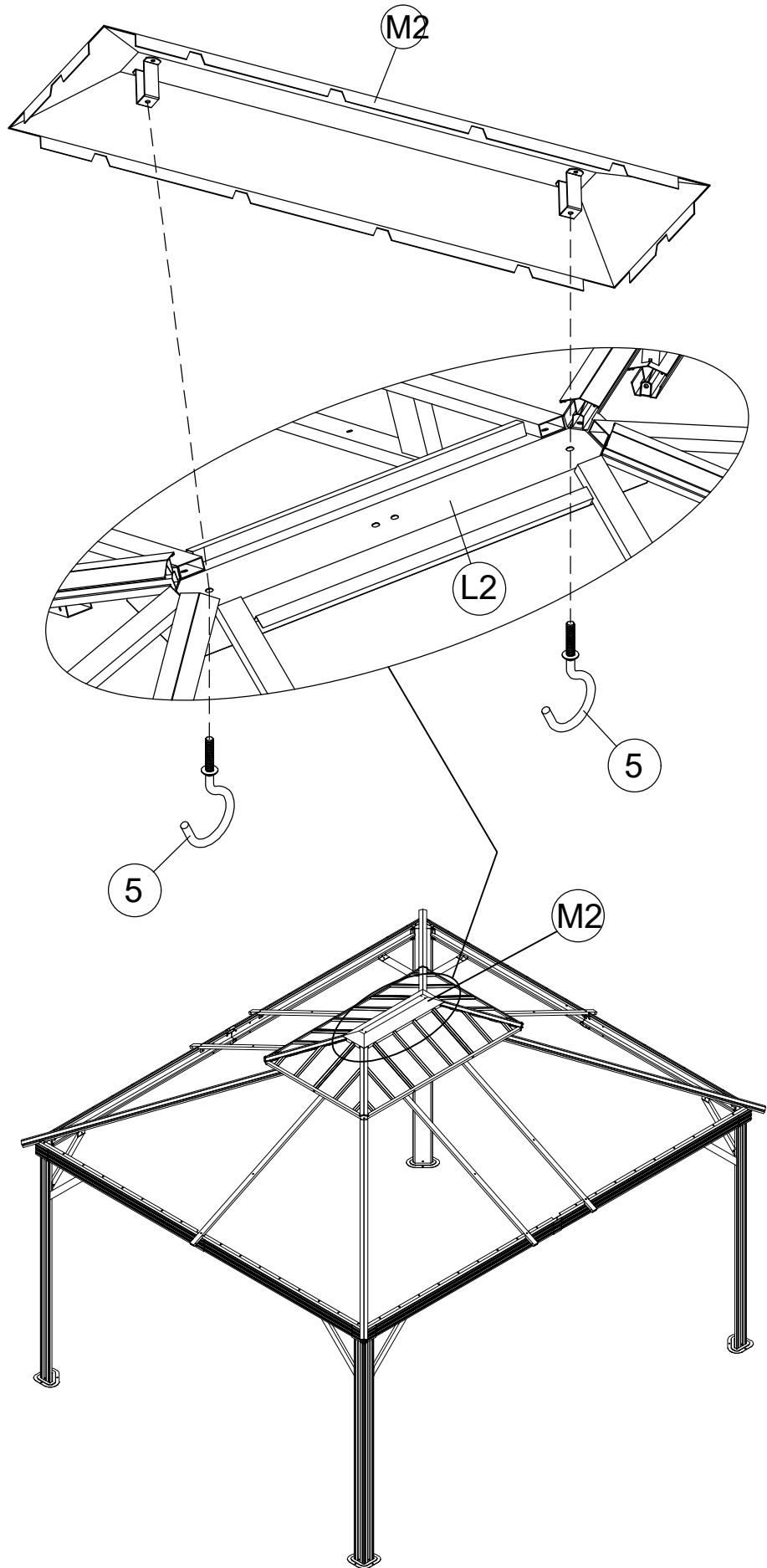
<13>



M2 1x



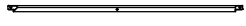
5 2x



<14>



F1 4x



F2 4x

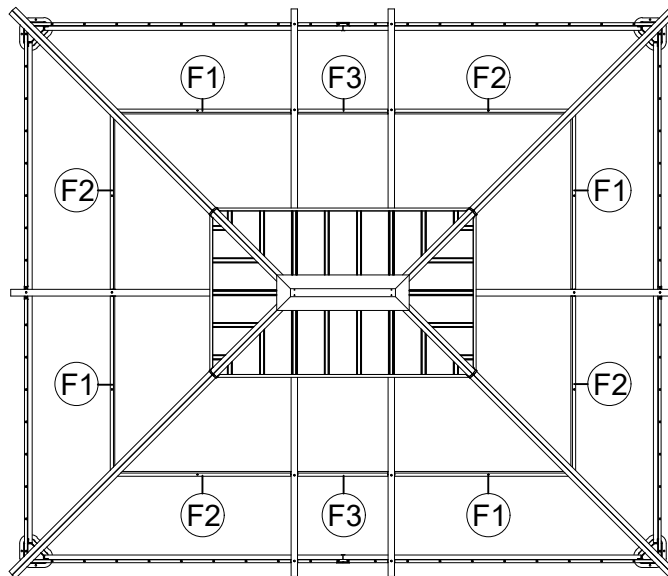
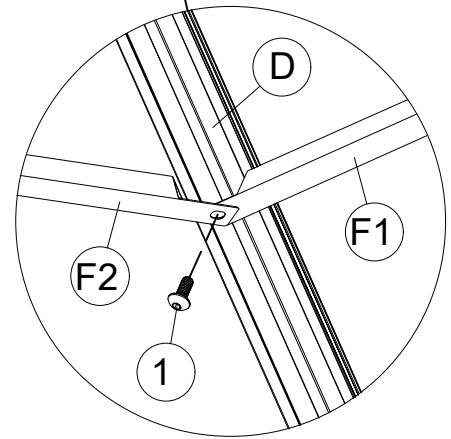
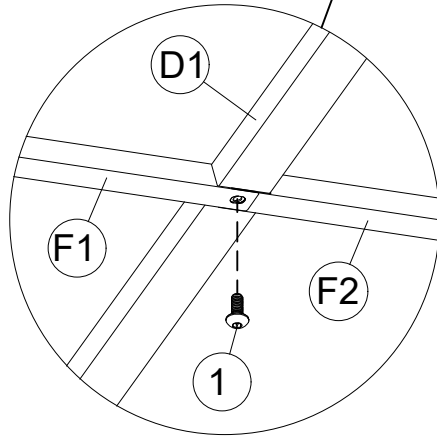
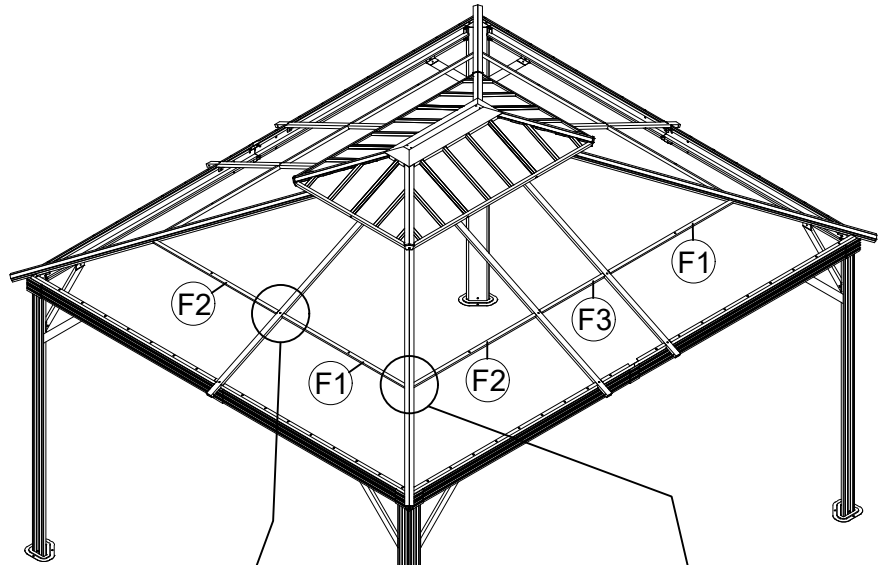


F3 2x

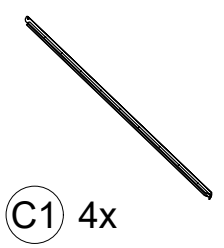


M6x15

1 10x



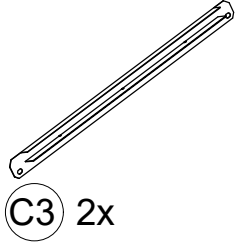
<15>



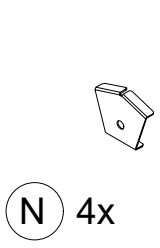
C1 4x



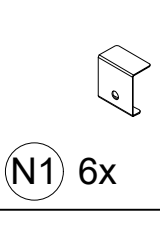
C2 4x



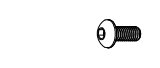
C3 2x



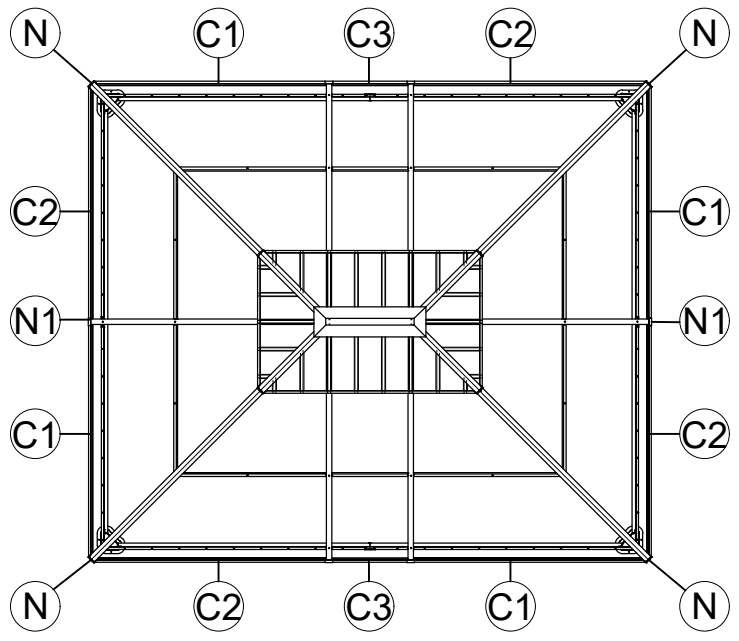
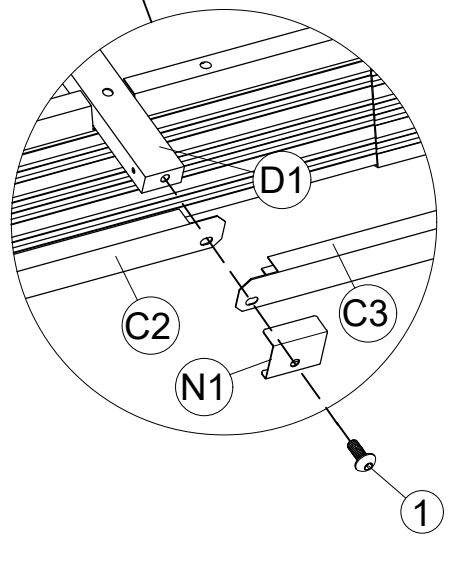
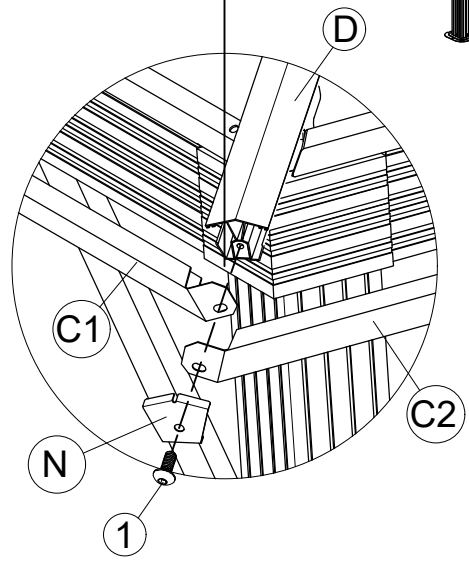
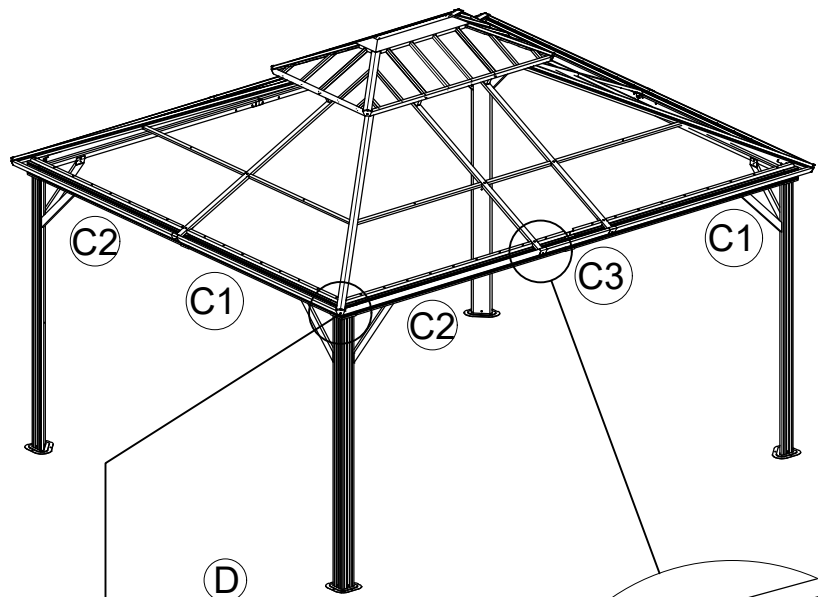
N 4x



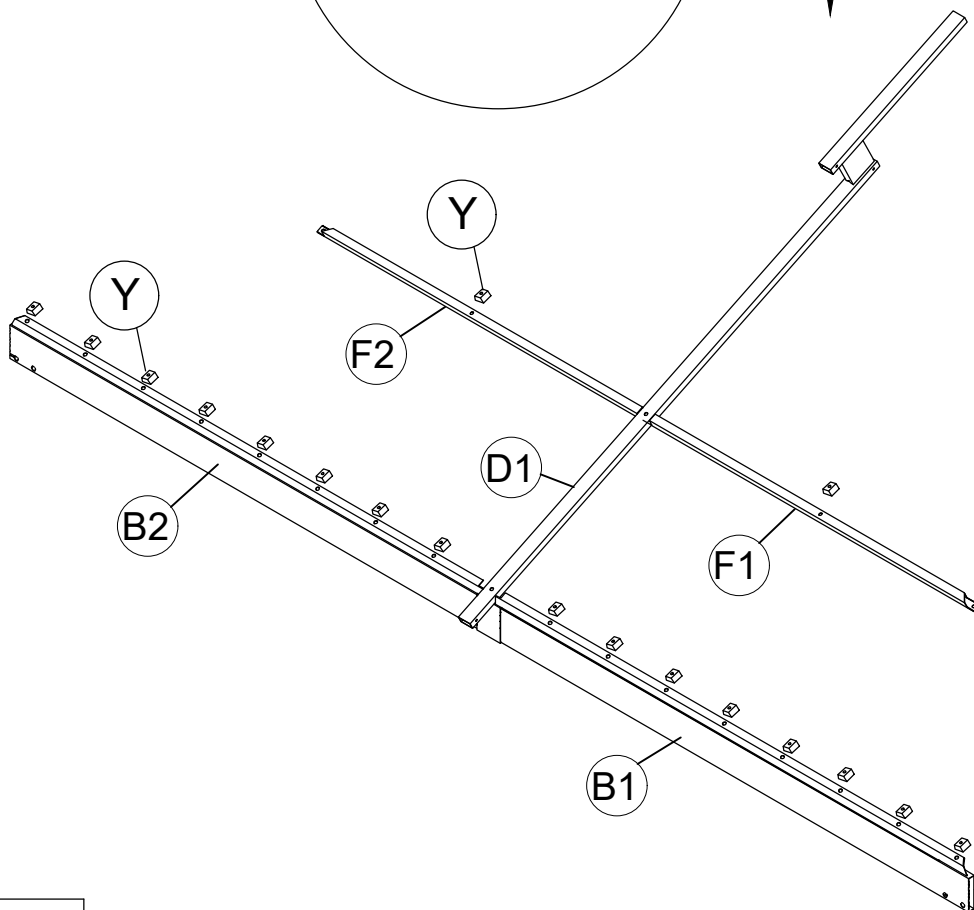
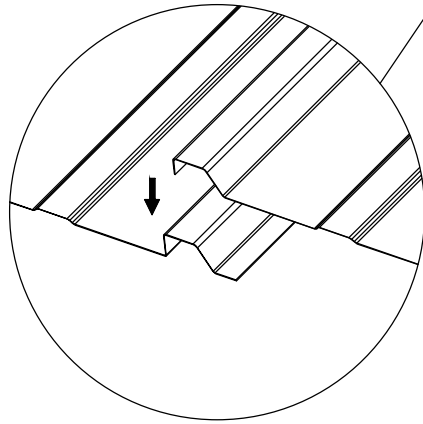
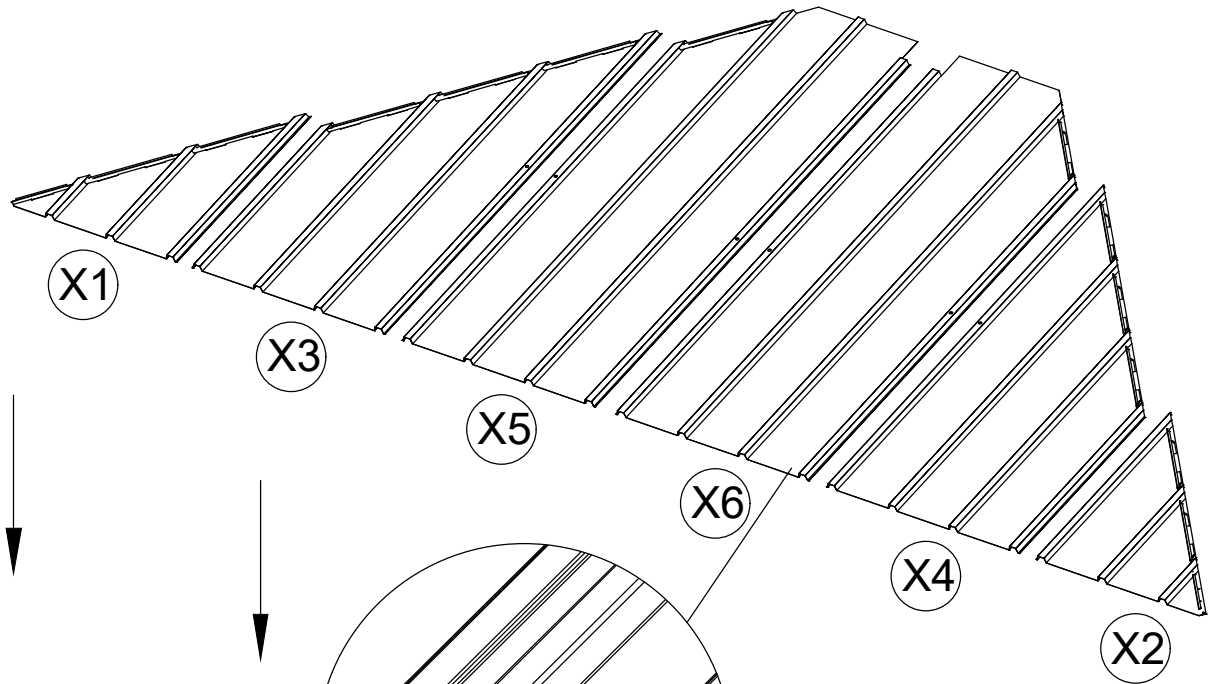
N1 6x



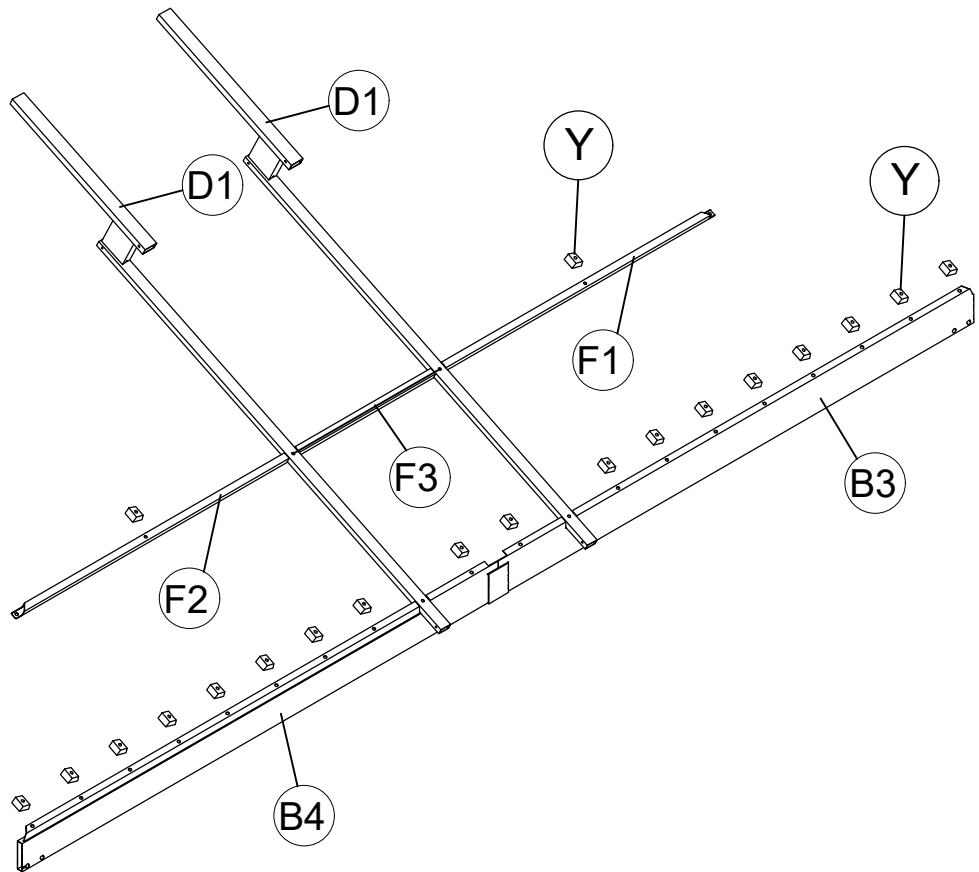
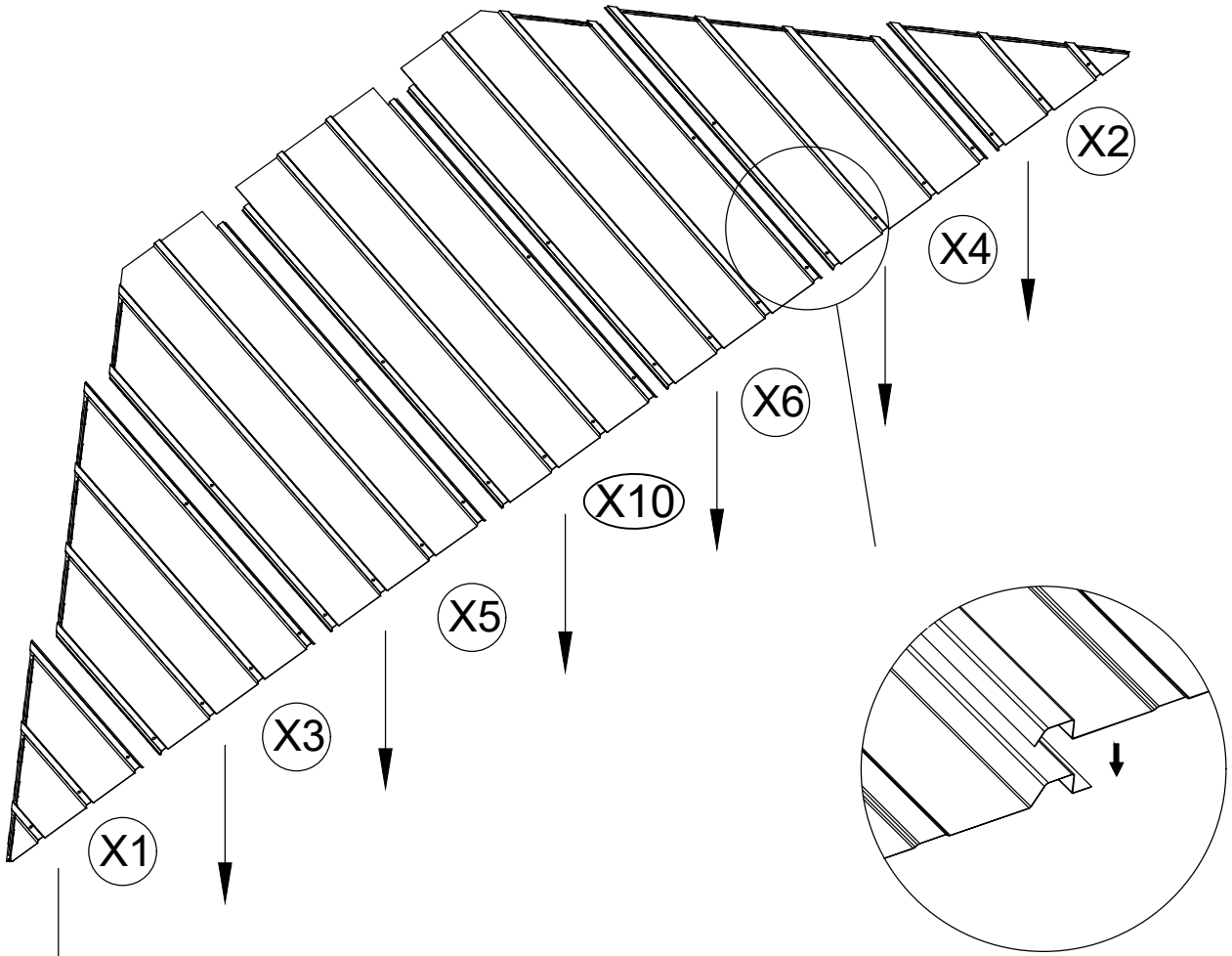
1 10x M6x15



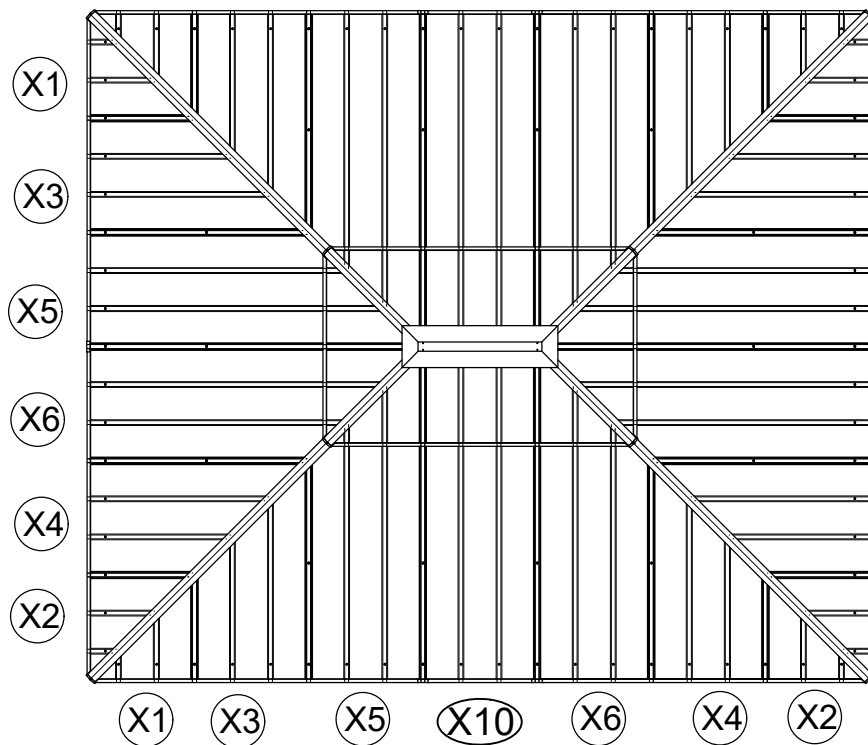
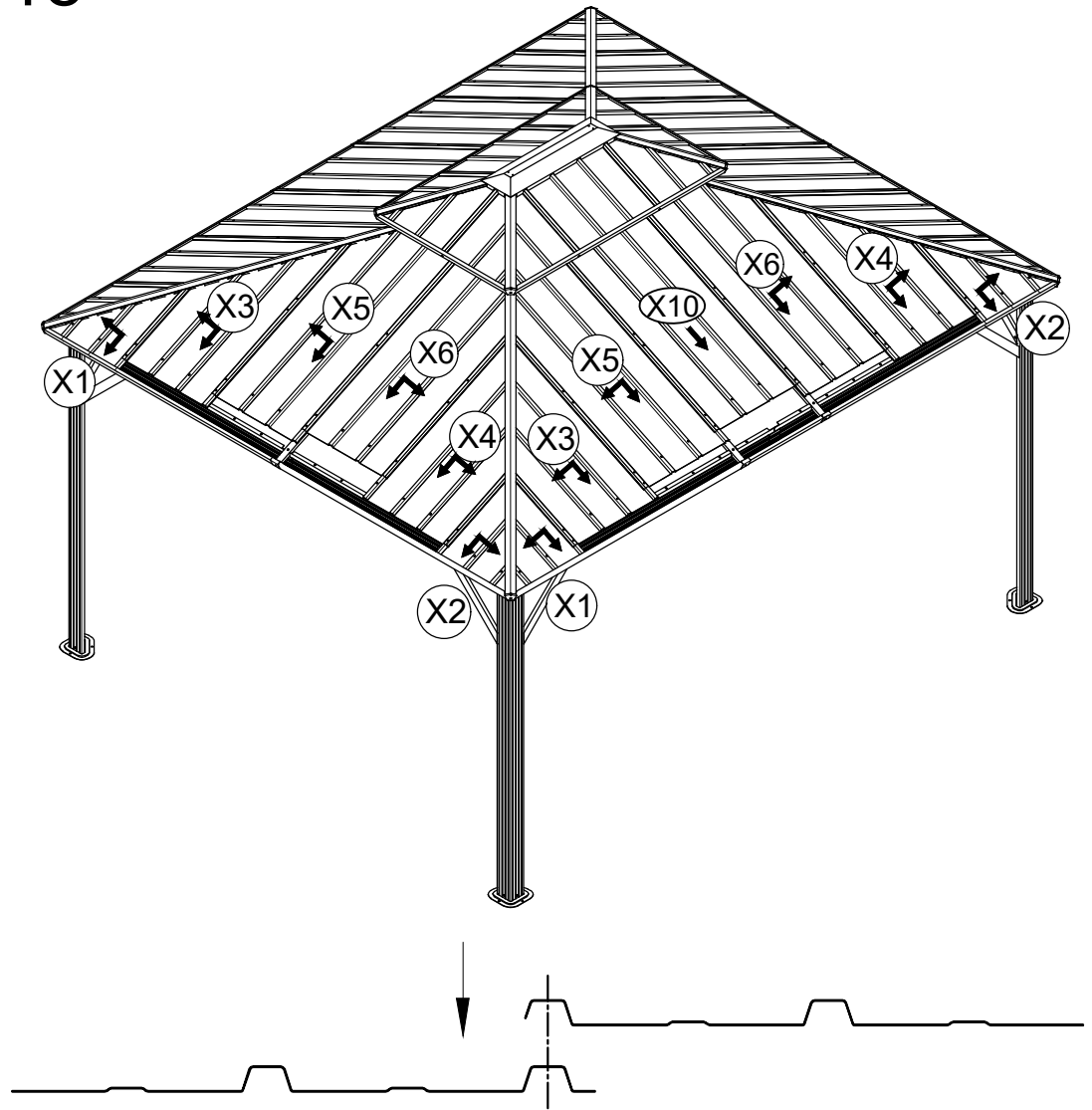
<16>



<17>



<18>





<19>

Y 76x



M6x25

3 12x



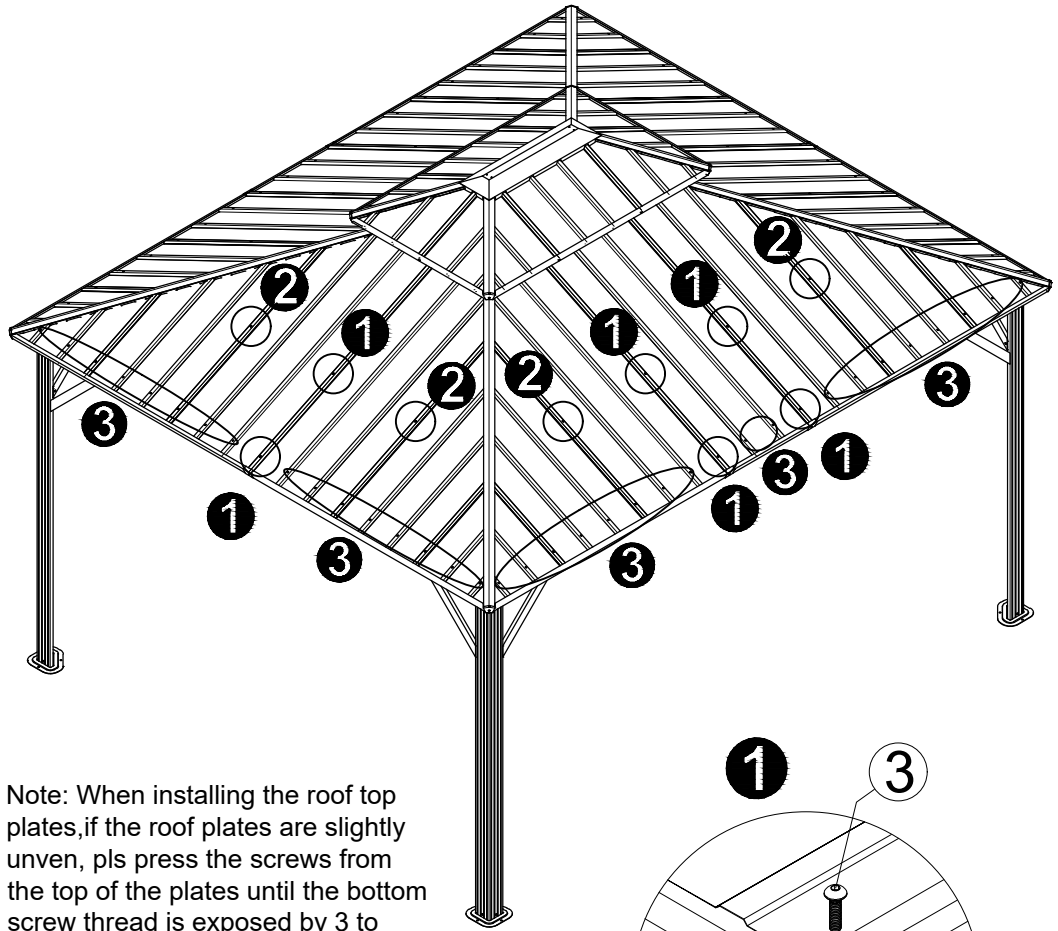
M6x23

2 68x

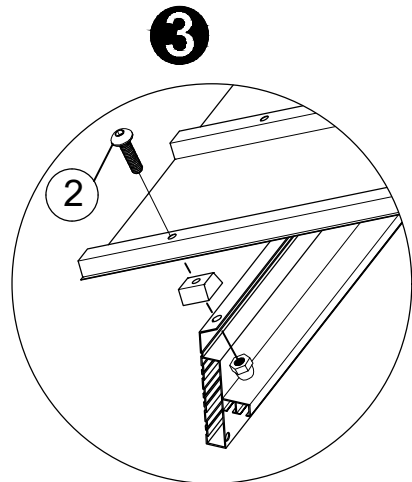
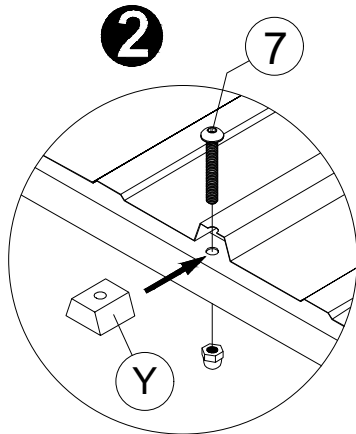
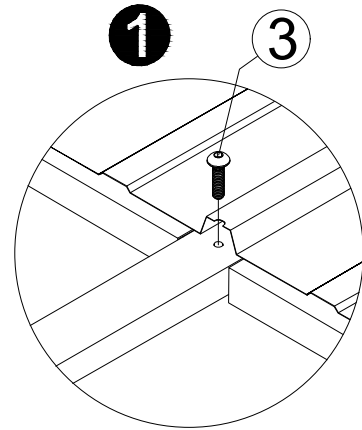


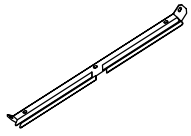
M6x45

7 8x



Note: When installing the roof top plates, if the roof plates are slightly uneven, pls press the screws from the top of the plates until the bottom screw thread is exposed by 3 to 4mm, and then screw on the nut.

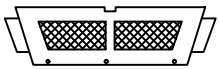




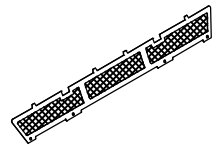
I1 2x



I2 2x



V1 2x



V2 4x



N 4x



M6x15

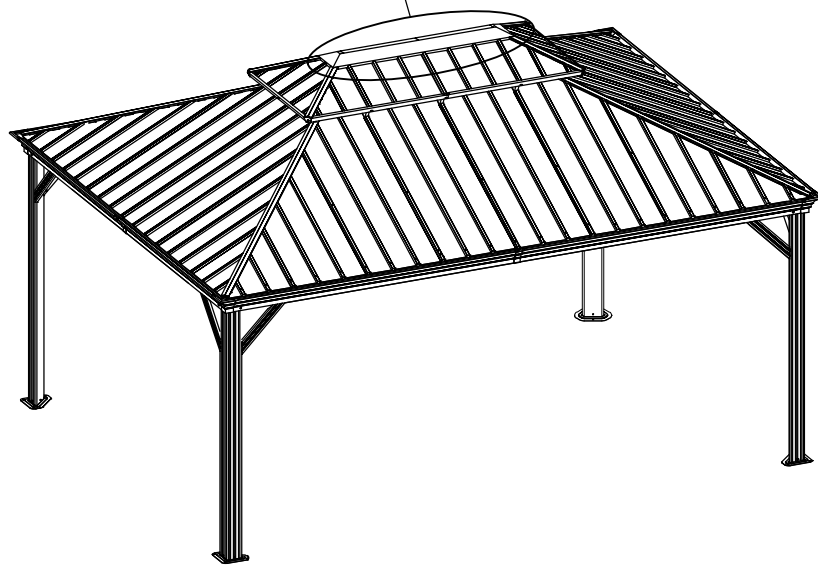
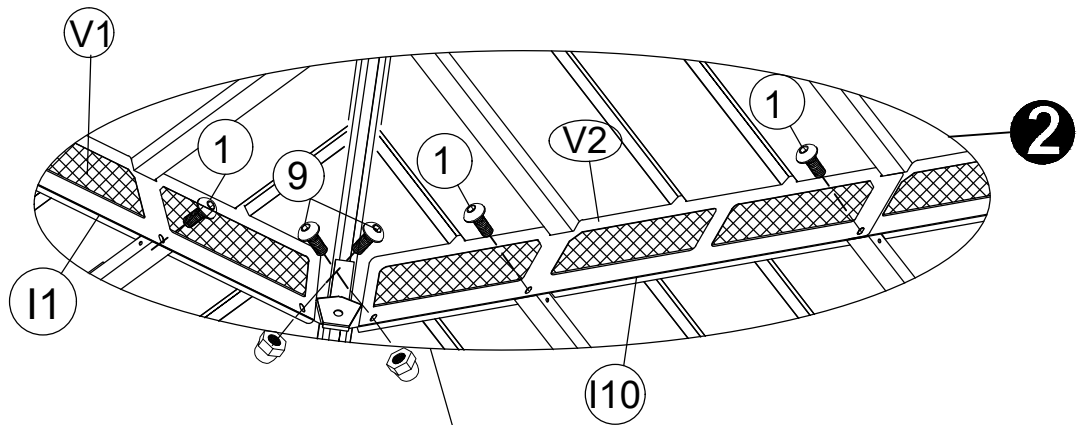
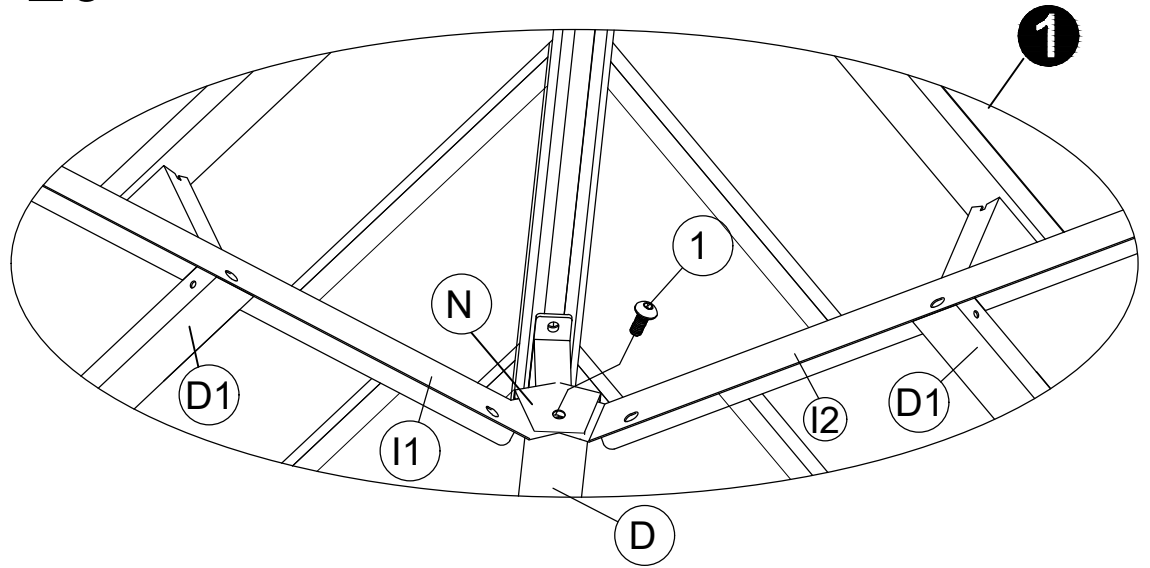
1 10x

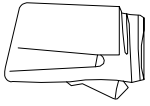


M6x10

9 8x

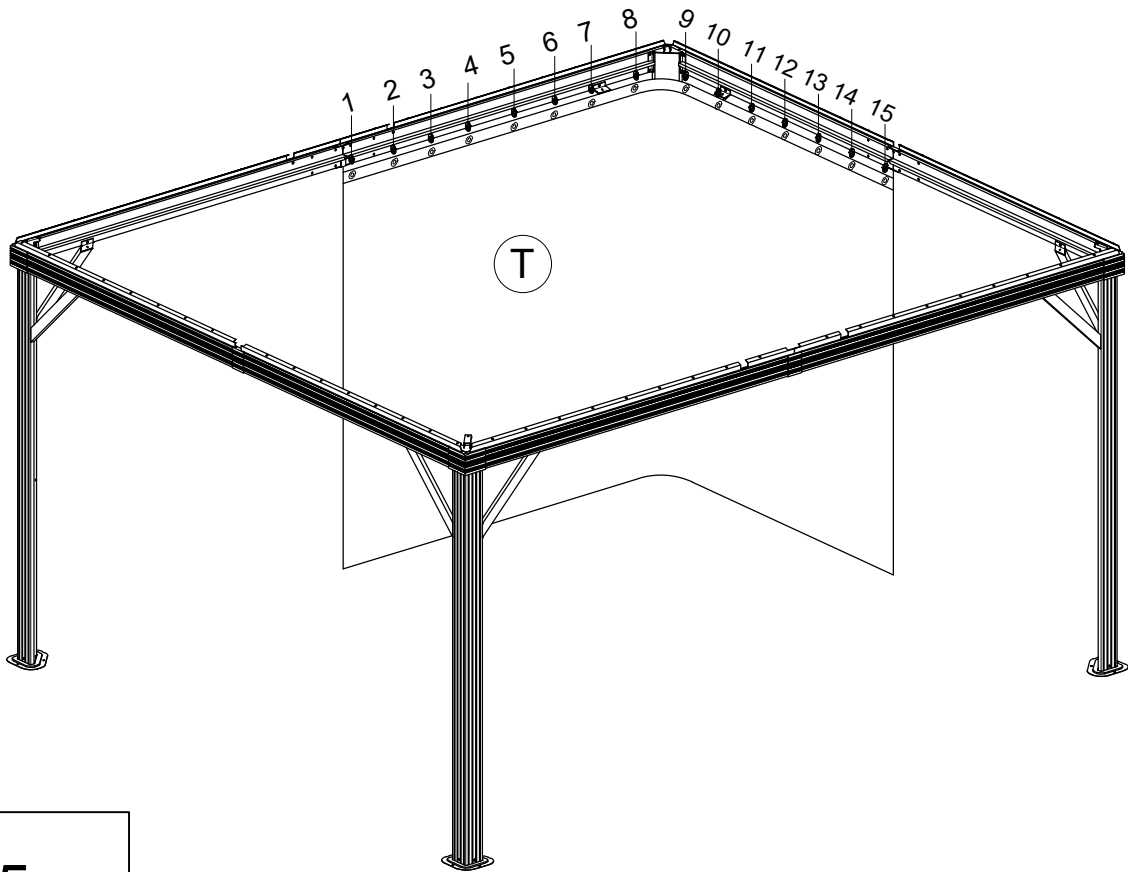
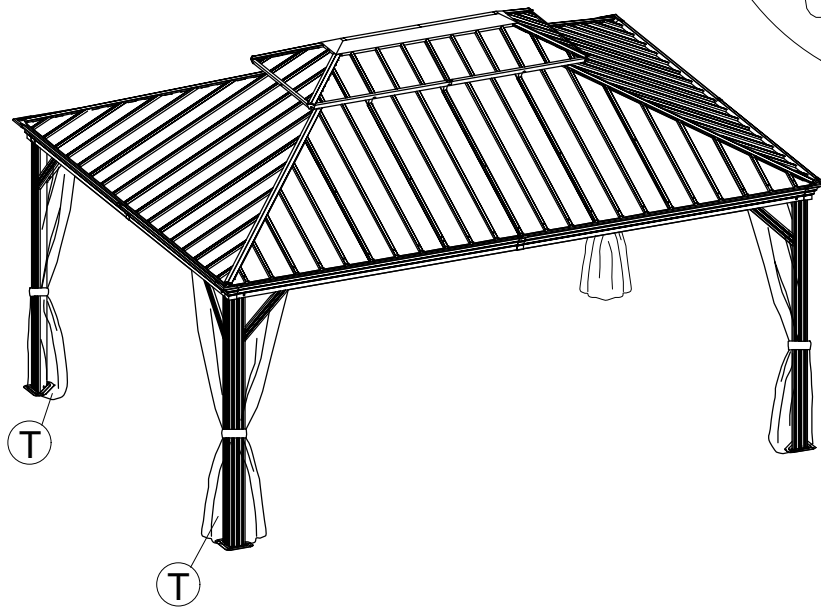
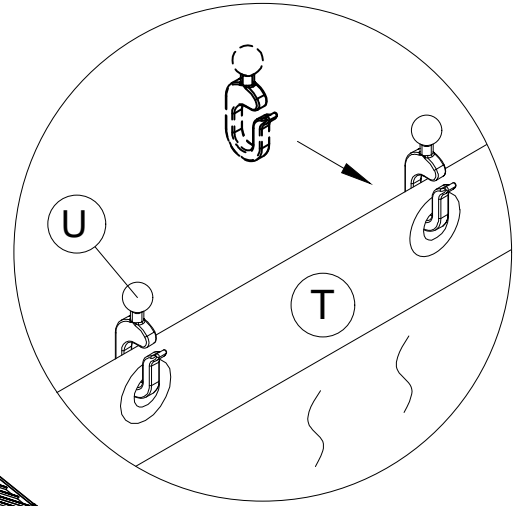
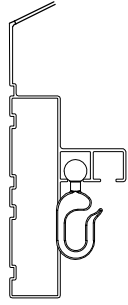
<20>



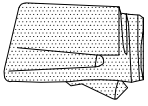


<21>

T 4x

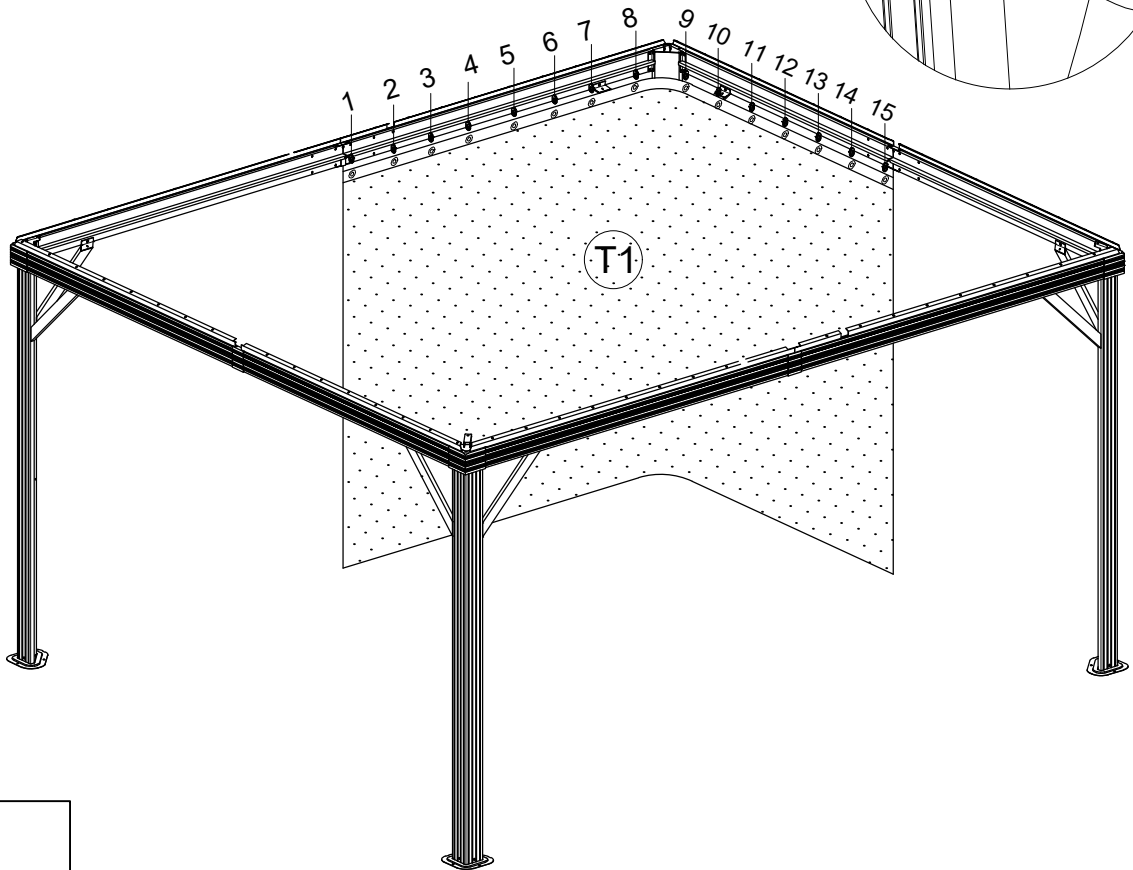
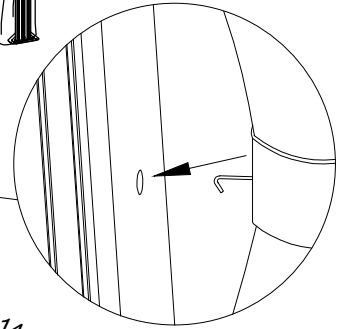
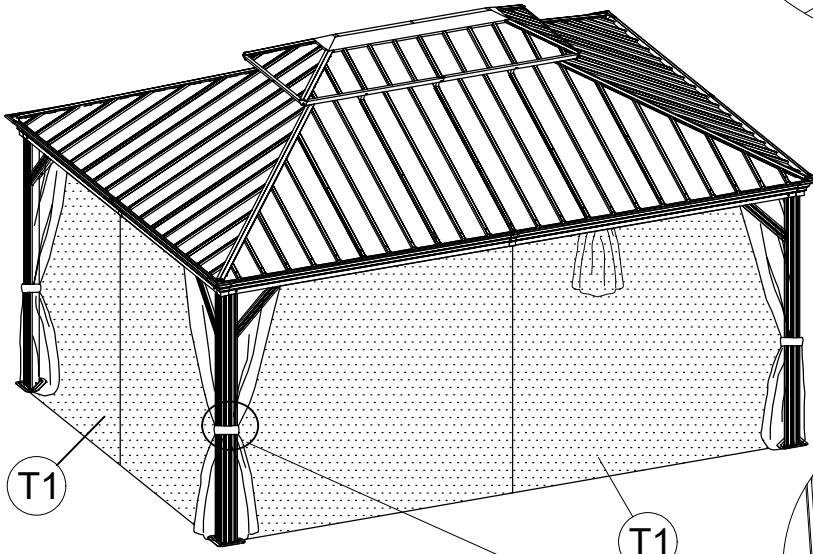
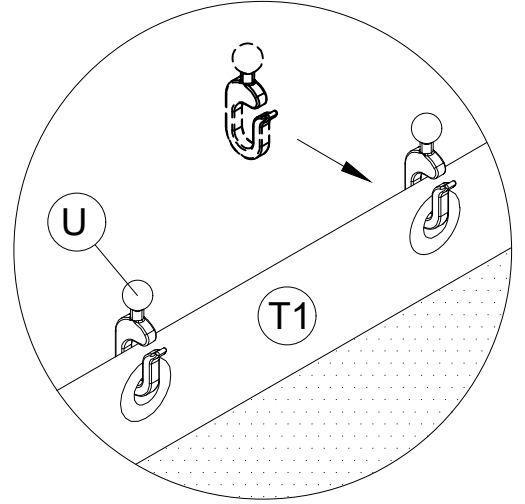
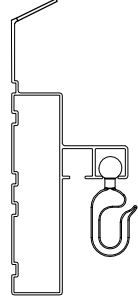


25



<22>

T1 4x



Carton-1/4		Carton-3/4		Carton-4/4	
Part	Qty	Part	Qty	Part	Qty
B1	2	D	4	X1	4
B2	2	E5	4	X2	4
B3	2	D1	6	X3	4
B4	2	C3	2	X4	4
C1	4	G1	2	X5	4
C2	4	F1	4	X6	4
G2	2	F2	4	X10	2
V	4	F3	2	S1	4
Q1	6	I1	2	S2	4
Z	64	I2	2	S3	2
Z1	8	M2	1		
Z2	8	L2	1		
K	4	P	4		
K1	4	H	4		
N	12	H1	4		
N1	6	V1	2		
U	120	V2	2		
T	4	J	4		
T1	4	Y	76		
1.2.3.4.5.7.8.9.10. 11.12.13.14.15	1				
Q3	8				
Q4	8				
Carton-2/4					
Part	Qty				
A	4				