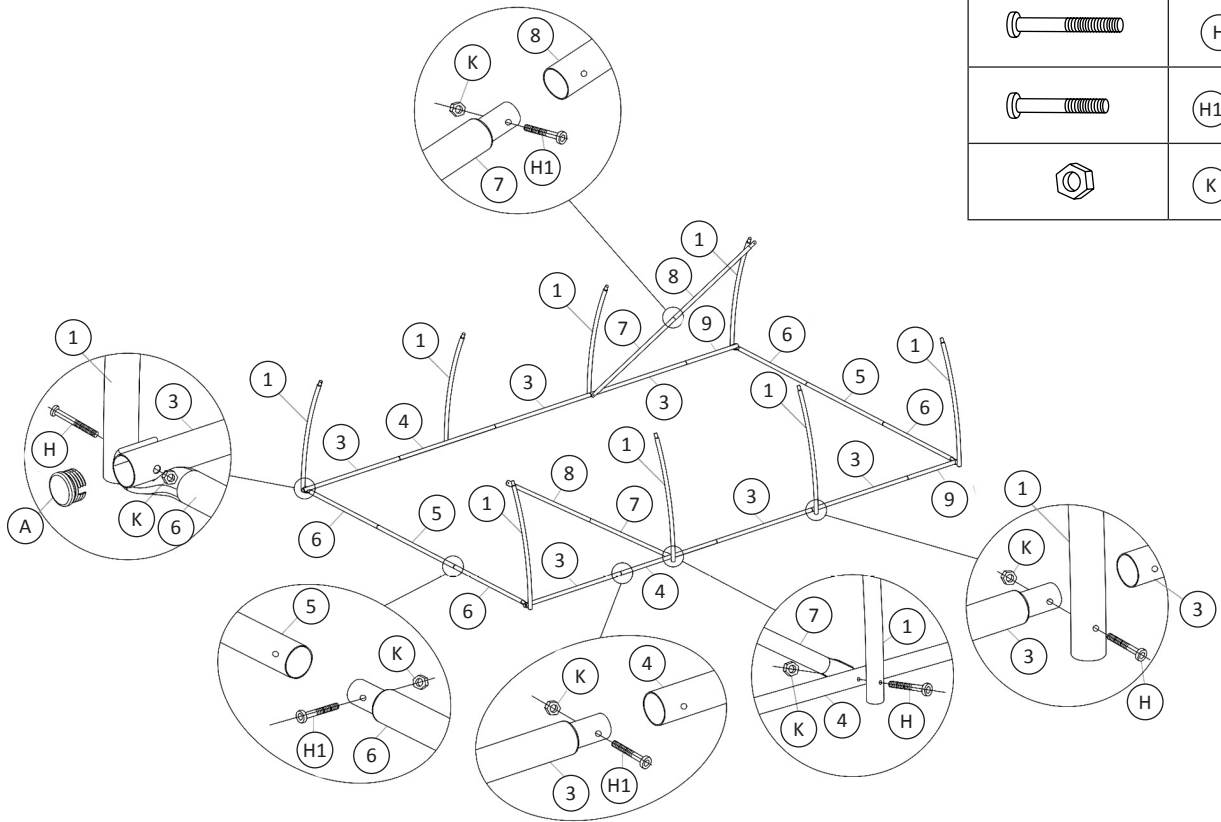


mm  
inch

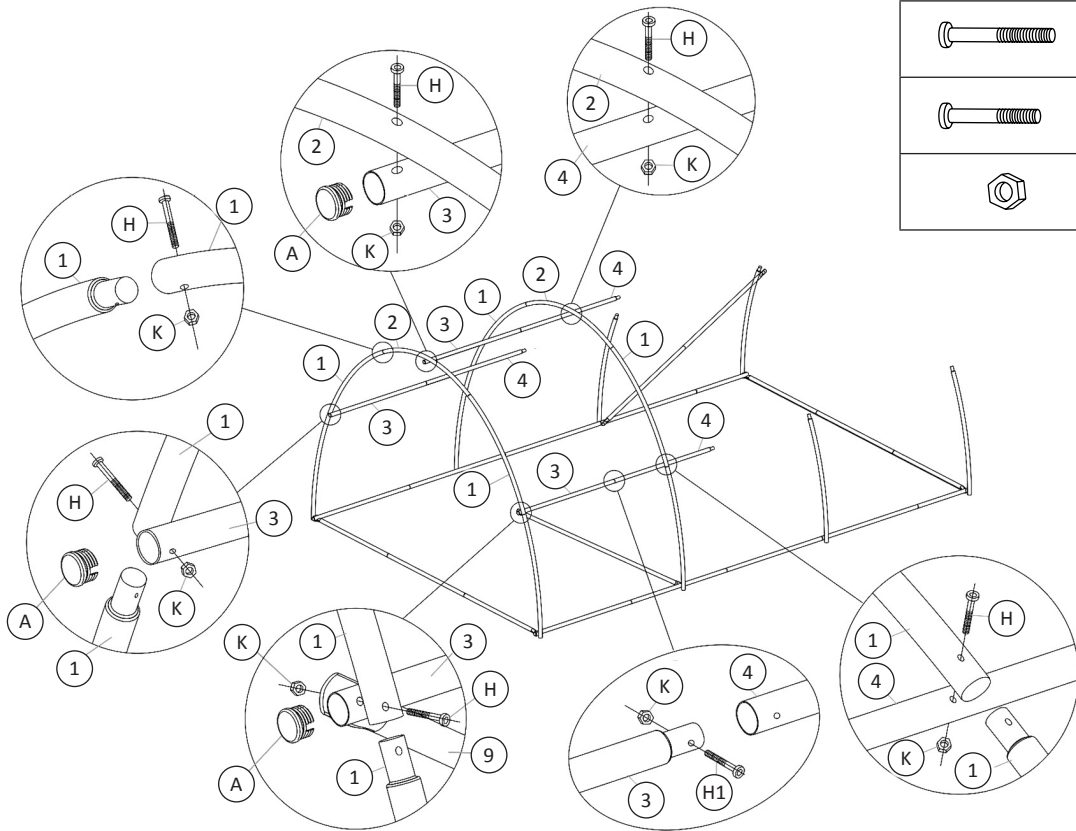
x2

① x16		A x10		
② x4		B x4		
③ x15		C x4		
④ x5		D x1		
⑤ x2		H x20		M6x $\frac{52}{2.0}$
⑥ x4		H1 x29		M6x $\frac{30}{1.2}$
⑦ x2		K x49		
⑧ x2		L x1		
⑨ x5		M x1		

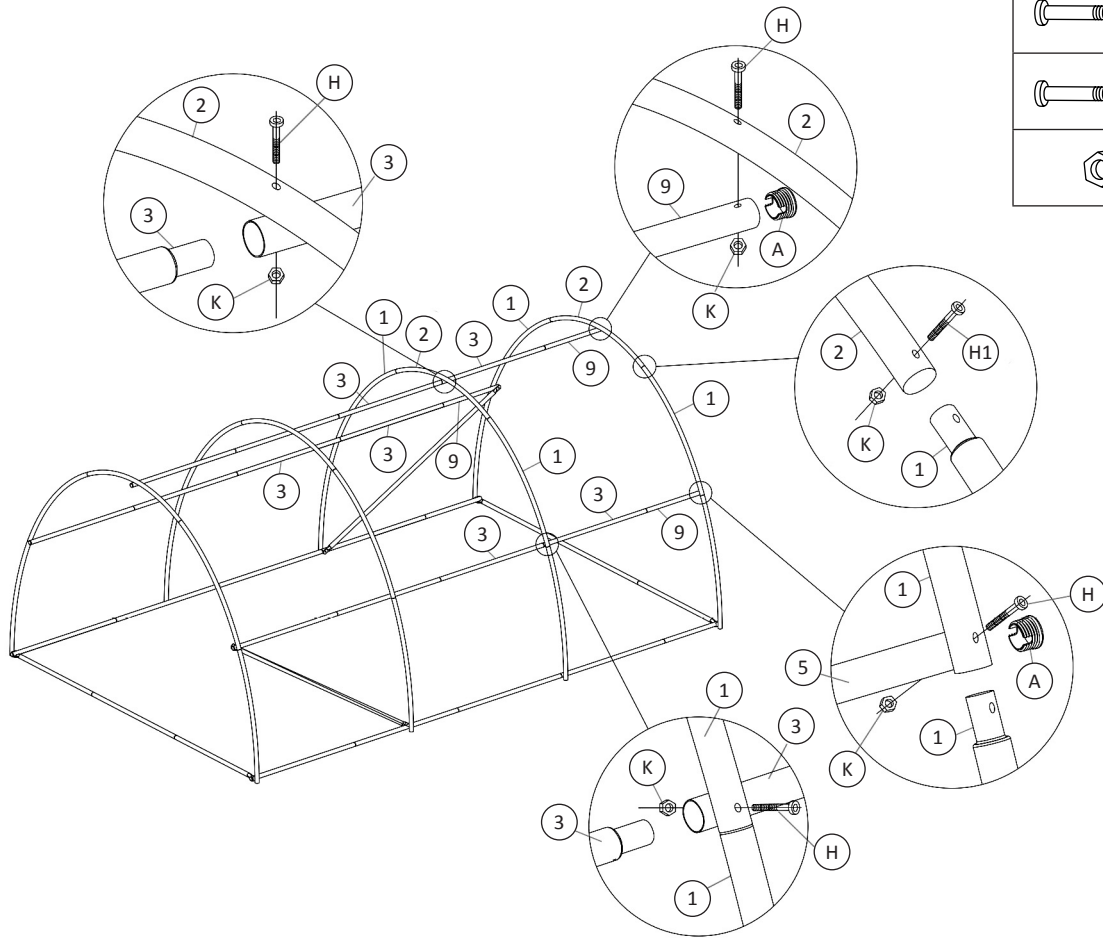
1



2



3



4

