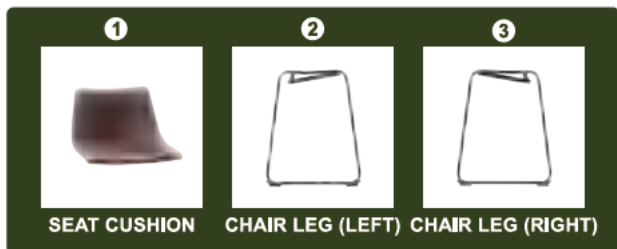


Kitchen&Dining Chair Series

ASSEMBLY INSTRUCTION MANUAL

01/DINING CHAIR GUIDE

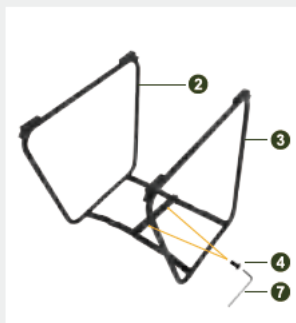
Dining Chair. Please check following accessories for dining chair (set of 1).



PLEASE NOTE
Dining Chair has ONE footrest.
Counter stool & Bar stool have TWO footrests.

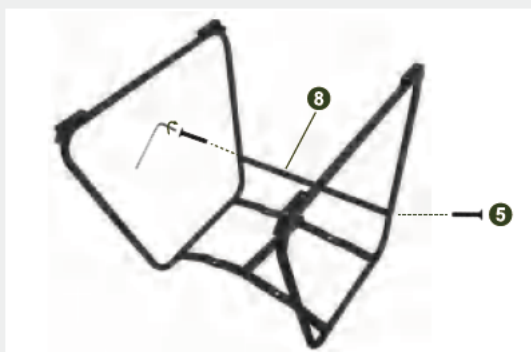
02/DINING CHAIR GUIDE

STEP 1:



CONNECT CHAIR LEG (LEFT) AND CHAIR LEG (RIGHT)
TOGETHER WITH 2 SCREWS-M8×14mmL

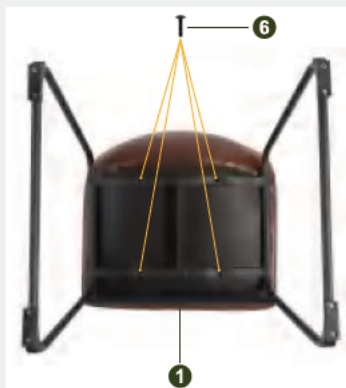
STEP 2:



INSTALL ONE FOOTREST IN THE LOCATION OF THE RESERVED
HOLE ON UPPER PART OF CHAIR LEGS.

03/DINING CHAIR GUIDE

STEP 3:



ATTACH YOUR SEAT CUSHION ON CHAIR LEGS, AND USE ⑥: SCREWS-M6×22mmL TO SET SEAT IN RESERVED HOLES.

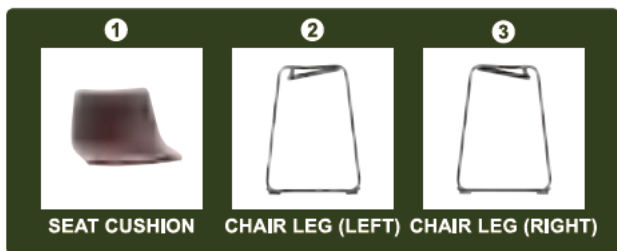
STEP 4:



MAKE SURE YOU TIGHTEN ALL SCREWS BEFORE USING.
YOU ARE ALL SET-UP!

01/COUNTER&BAR STOOL GUIDE

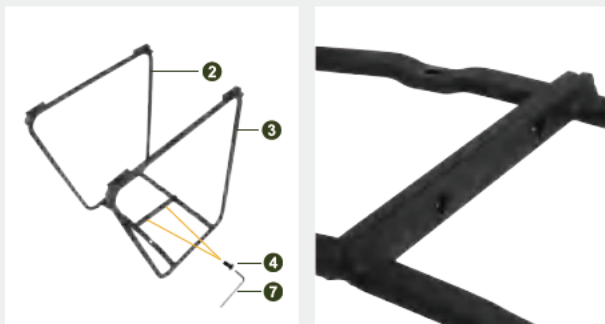
Fits for counter & bar stools. Please check following accessories for stool (set of 1).



PLEASE NOTE
Dining Chair has ONE footrest.
Counter stool & Bar stool have TWO footrests.

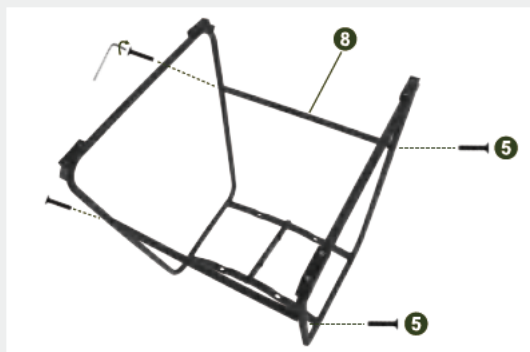
02/COUNTER&BAR STOOL GUIDE

STEP 1:



**CONNECT CHAIR LEG (LEFT) AND CHAIR LEG (RIGHT)
TOGETHER WITH 2 SCREWS-M8×14mmL**

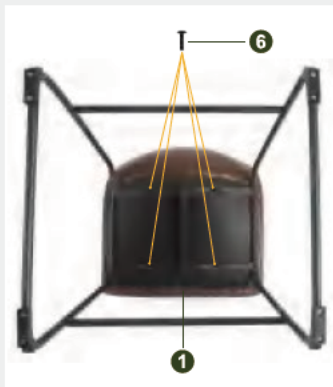
STEP 2:



**INSTALL 2 FOOTRESTS IN THE LOCATION OF THE RESERVED
HOLE ON BOTTOM PART OF CHAIR LEGS.**

03/COUNTER&BAR STOOL GUIDE

STEP 3:



ATTACH YOUR SEAT CUSHION ON CHAIR LEGS, AND USE ⑥: SCREWS-M6×22mmL TO SET SEAT IN RESERVED HOLES.

STEP 4:



MAKE SURE YOU TIGHTEN ALL SCREWS BEFORE USING.
YOU ARE ALL SET-UP!