

ASSEMBLY INSTRUCTION

IMPORTANT

For service purpose, please do not remove the customer service code label on the merchandise. It is on the underside of the bed.

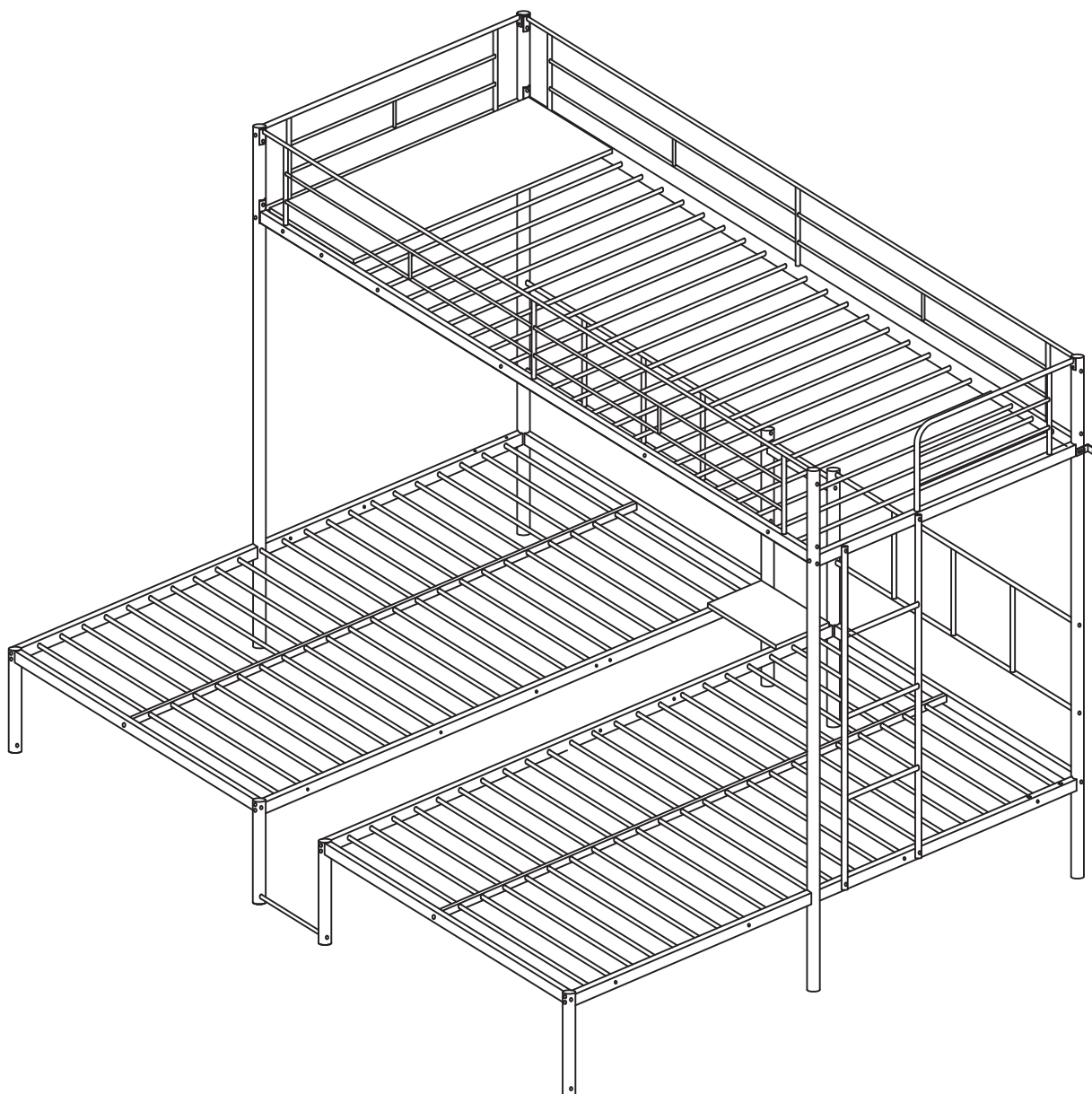
Bunk Bed Twin over twin & twin

Keep this document for reference in case parts are needed

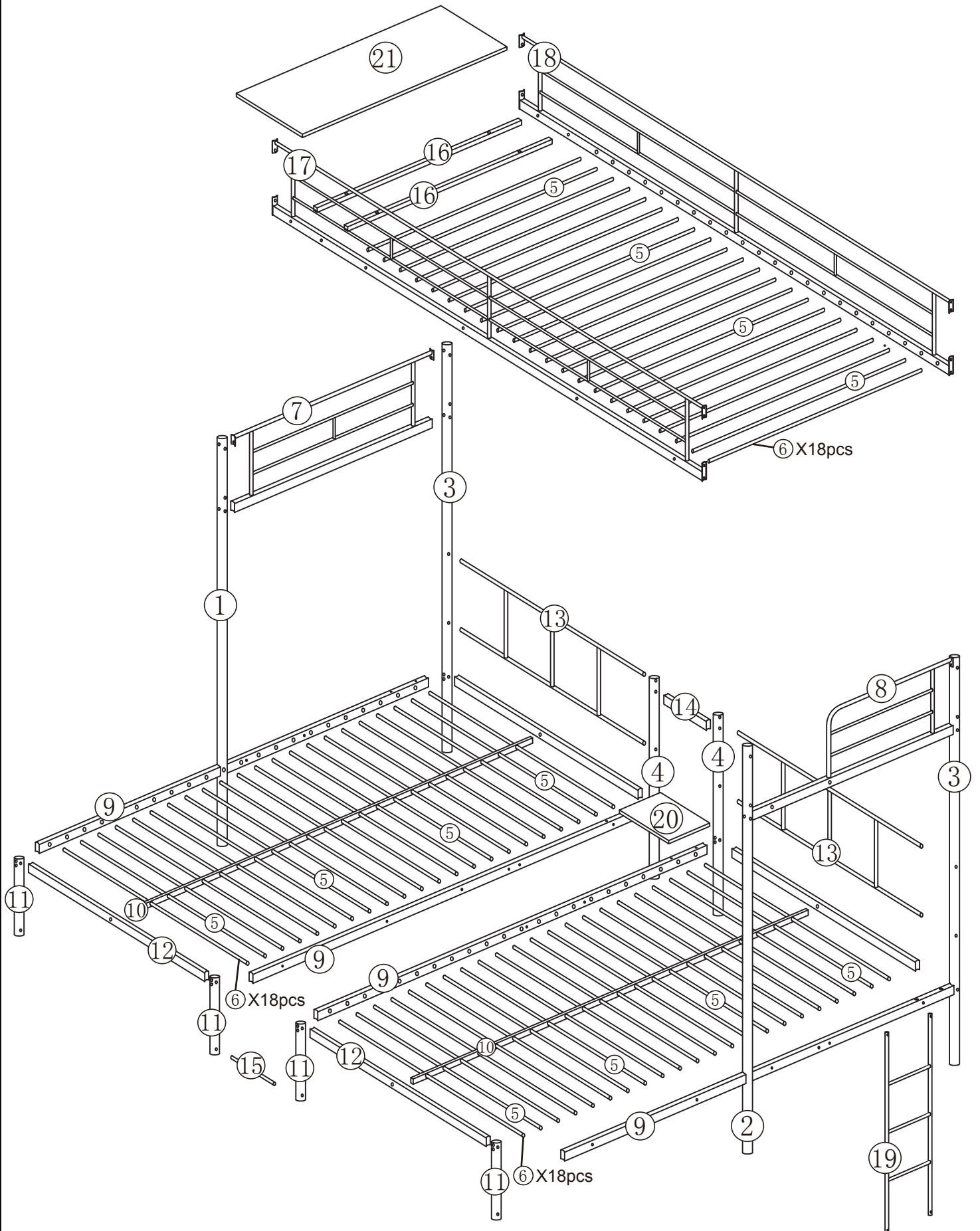
Do not tighten all bolts until the bed is assembled completely.

Hardware pack attached in the package in red plastic bag.

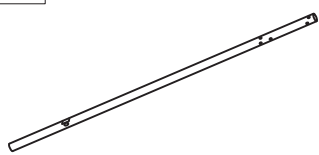
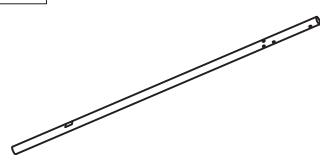
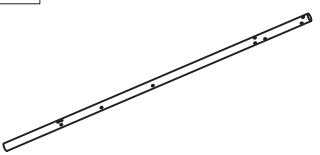
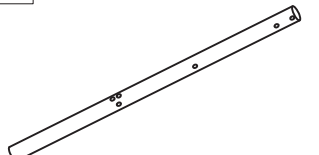


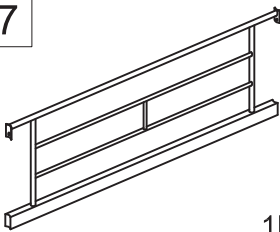
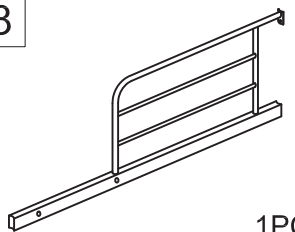
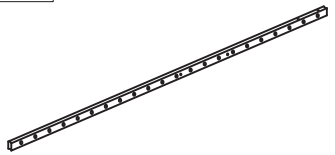
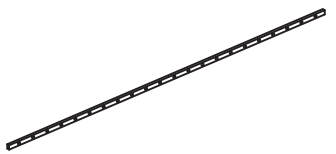

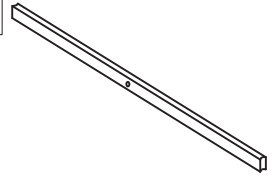
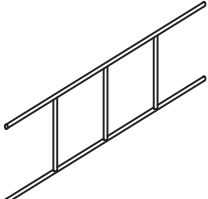
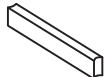
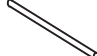

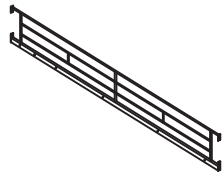
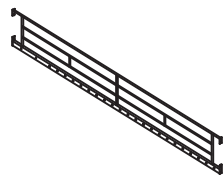
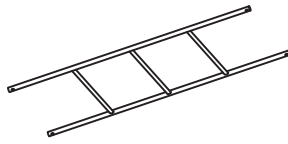
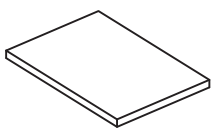
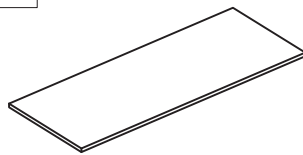
The plastic parts of the bed plate pipe must be pressed tightly.



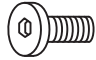
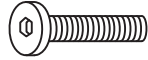

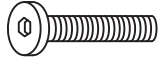

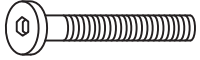
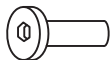
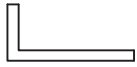



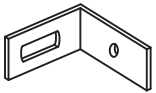
Detail View



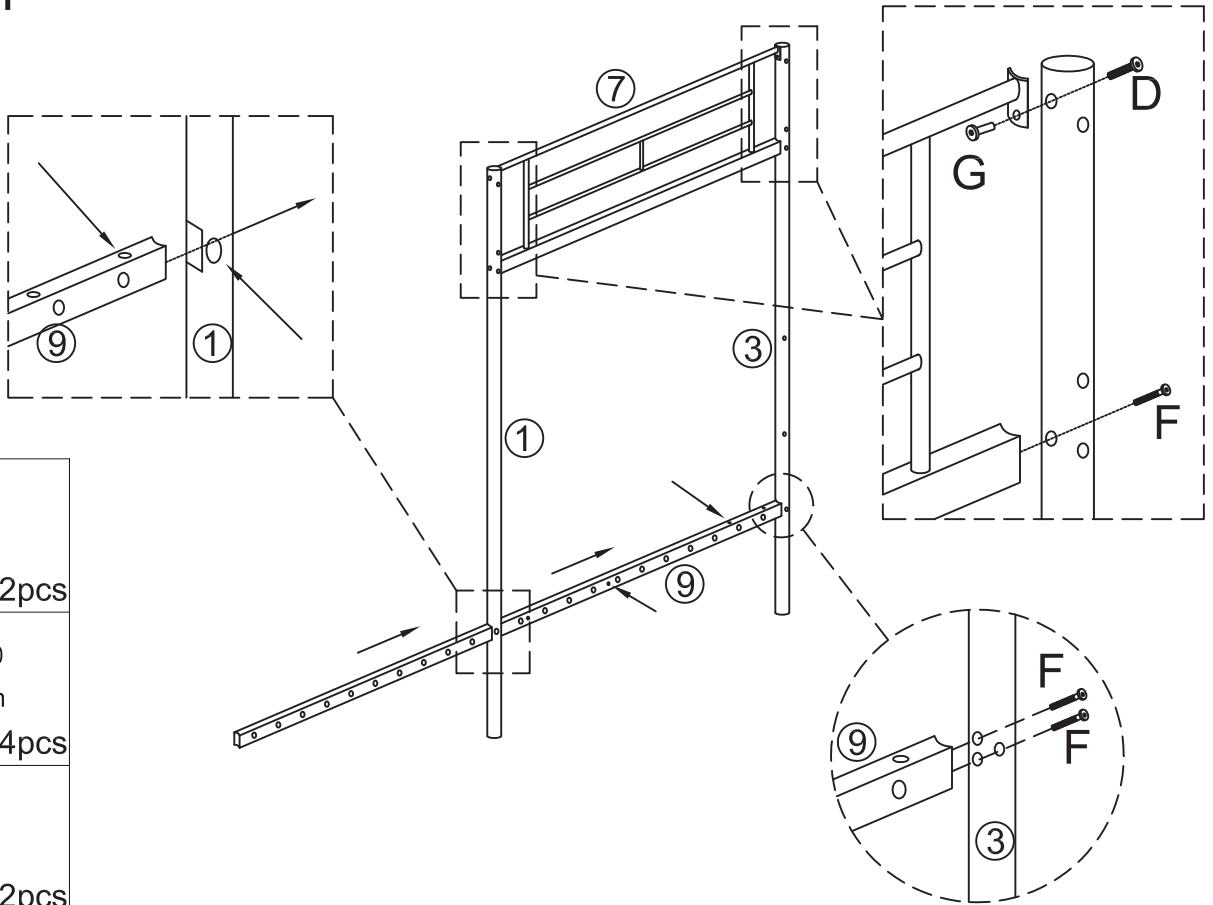
Part List

<p>1</p>  <p>1PC</p>	<p>2</p>  <p>1PC</p>	<p>3</p>  <p>2PCS</p>	<p>4</p>  <p>2PCS</p>
<p>5</p>  <p>12PCS</p>	<p>6</p>  <p>54PCS</p>	<p>7</p>  <p>1PC</p>	<p>8</p>  <p>1PC</p>
<p>9</p>  <p>4PCS</p>	<p>10</p>  <p>2PCS</p>	<p>11</p>  <p>4PCS</p>	<p>12</p>  <p>4PCS</p>
<p>13</p>  <p>2PCS</p>	<p>14</p>  <p>1PC</p>	<p>15</p>  <p>1PC</p>	<p>16</p>  <p>2PCS</p>
<p>17</p>  <p>1PC</p>	<p>18</p>  <p>1PC</p>	<p>19</p>  <p>1PC</p>	<p>20</p>  <p>1PC</p>
<p>21</p>  <p>1PC</p>			

Hardware List

A  M6X15mm 24pcs	B  M6X30mm 4pcs	C  M6X35mm 4pcs	D  M6X40mm 19pcs
E  M6X50mm 4pcs	F  M6X65mm 44pcs	G  M6X17mm 15pcs	H  M4 2pcs
I  M4x30mm 2pcs	J  2pcs	K  2pcs	L  2pcs

SETP 1

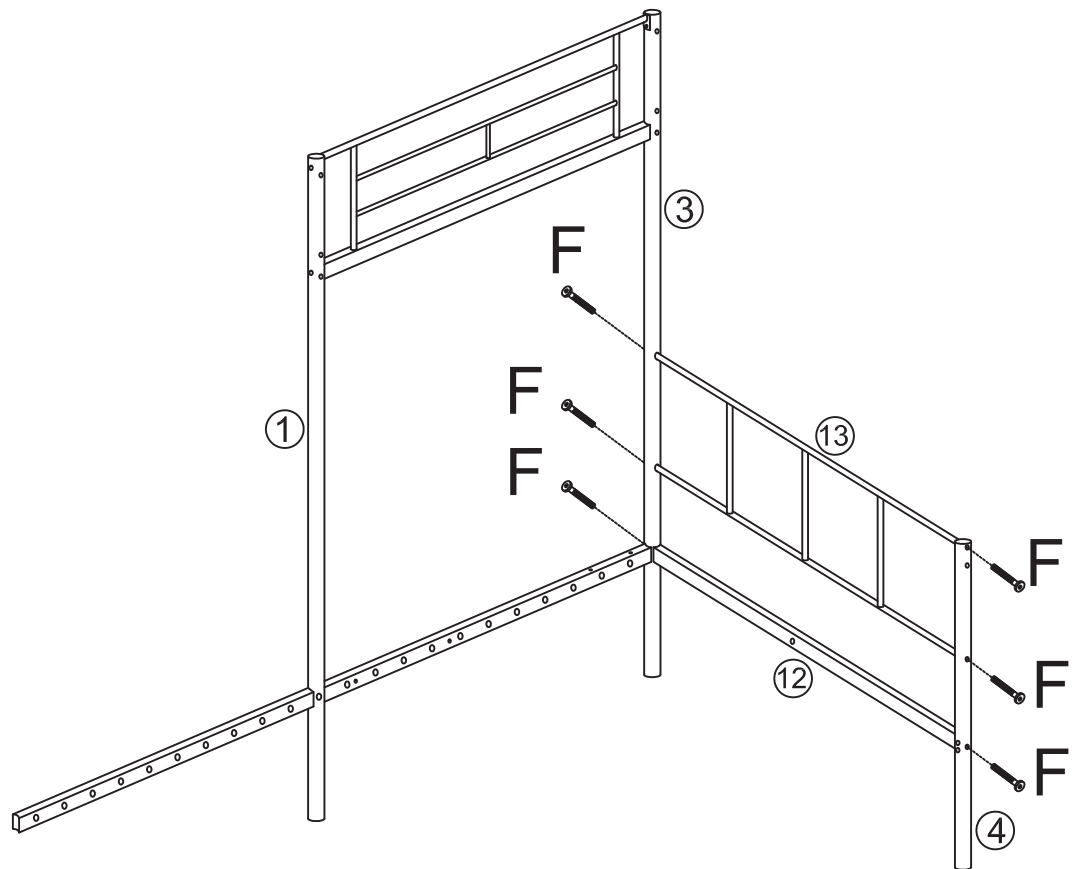


D
M6X40mm
2pcs

F
M6X65mm
4pcs

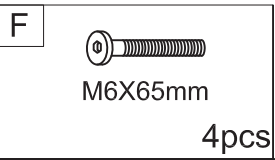
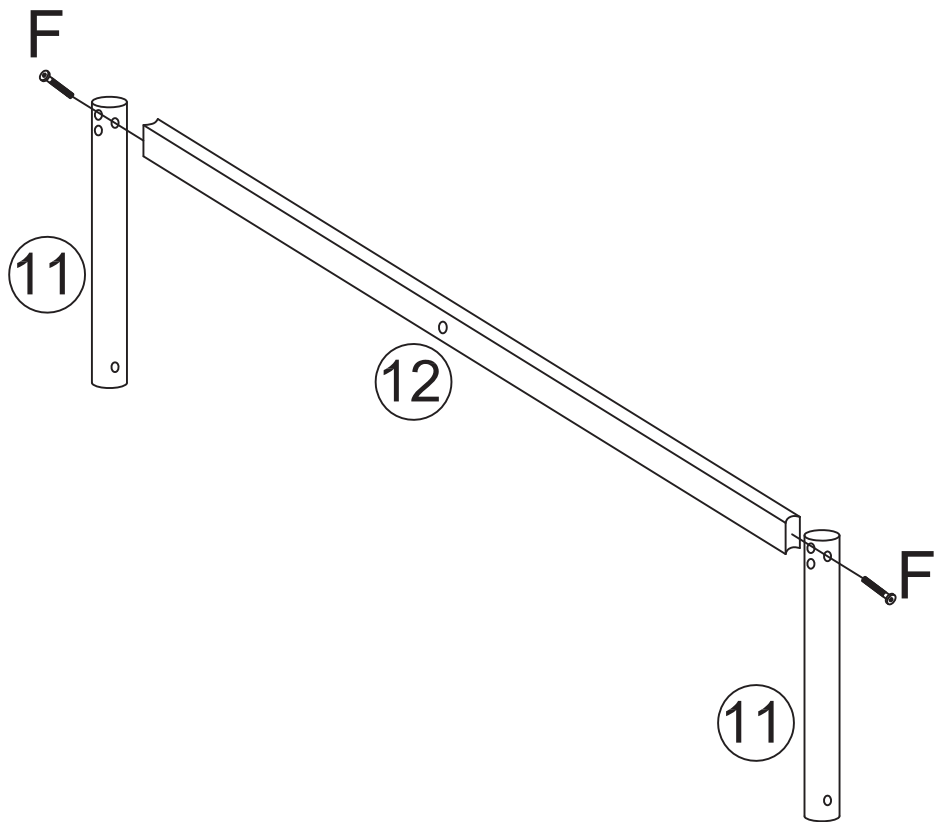
G
M6X17mm
2pcs

SETP 2



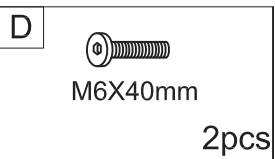
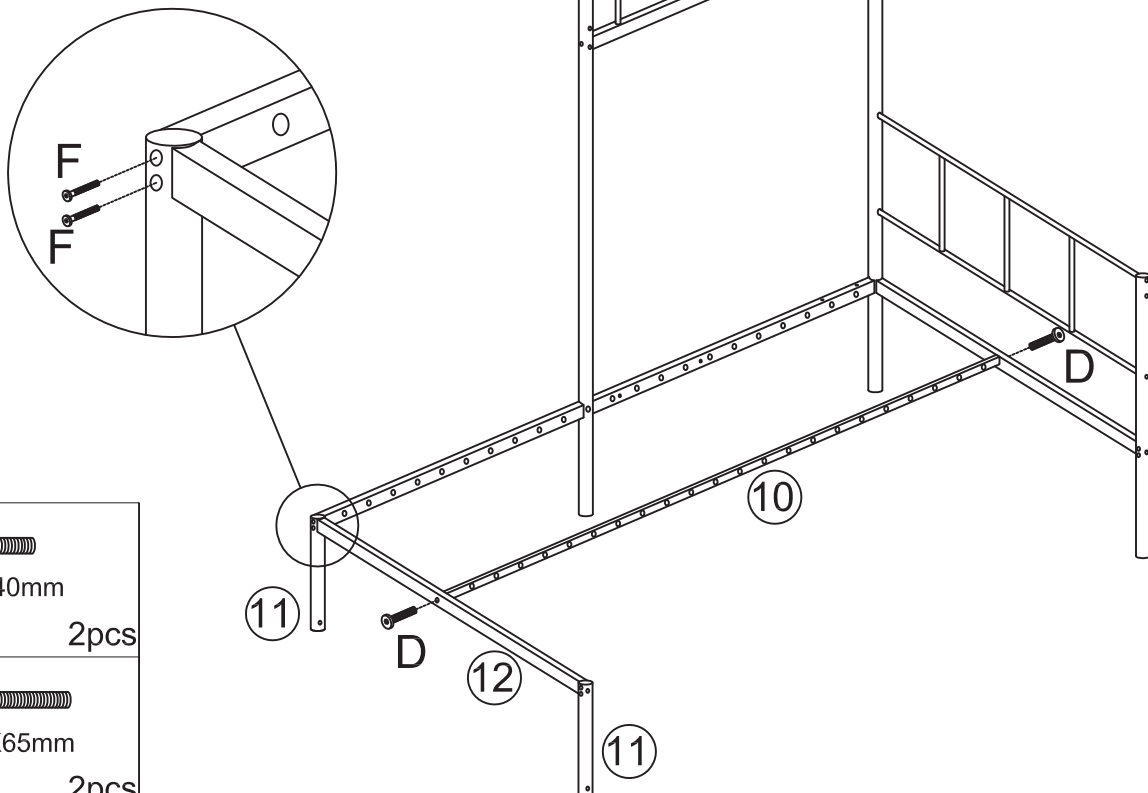
F
M6X65mm
6pcs

STEP 3

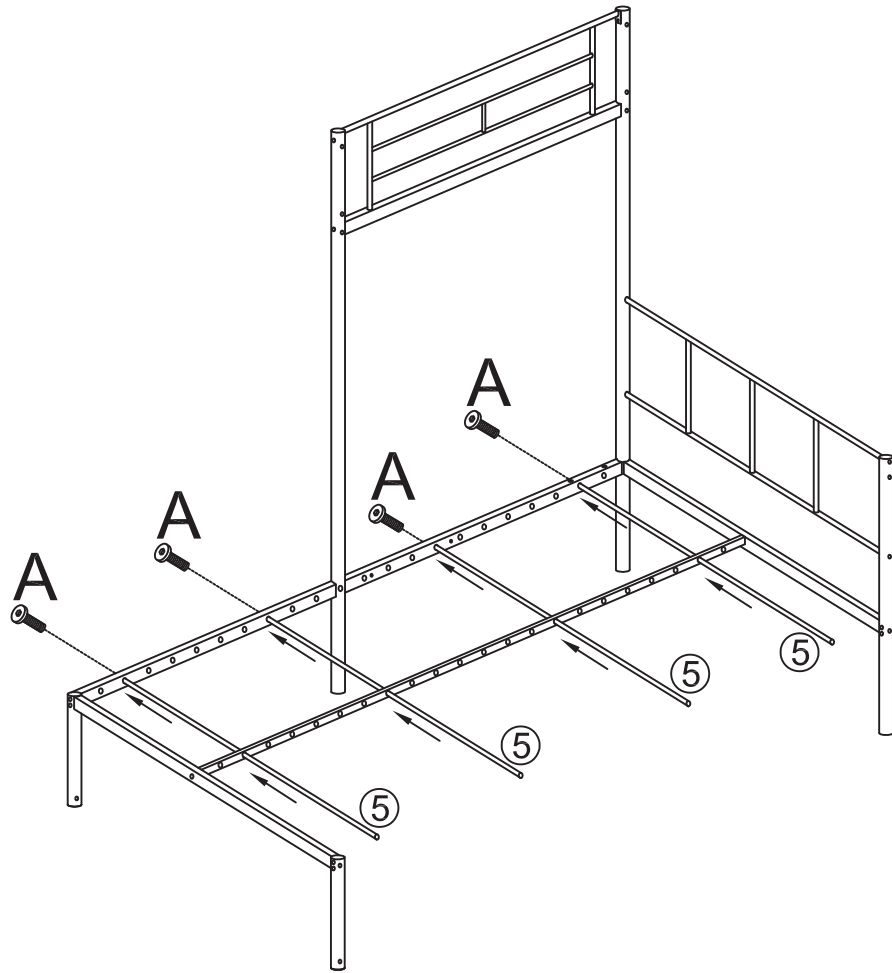


X2

STEP 4

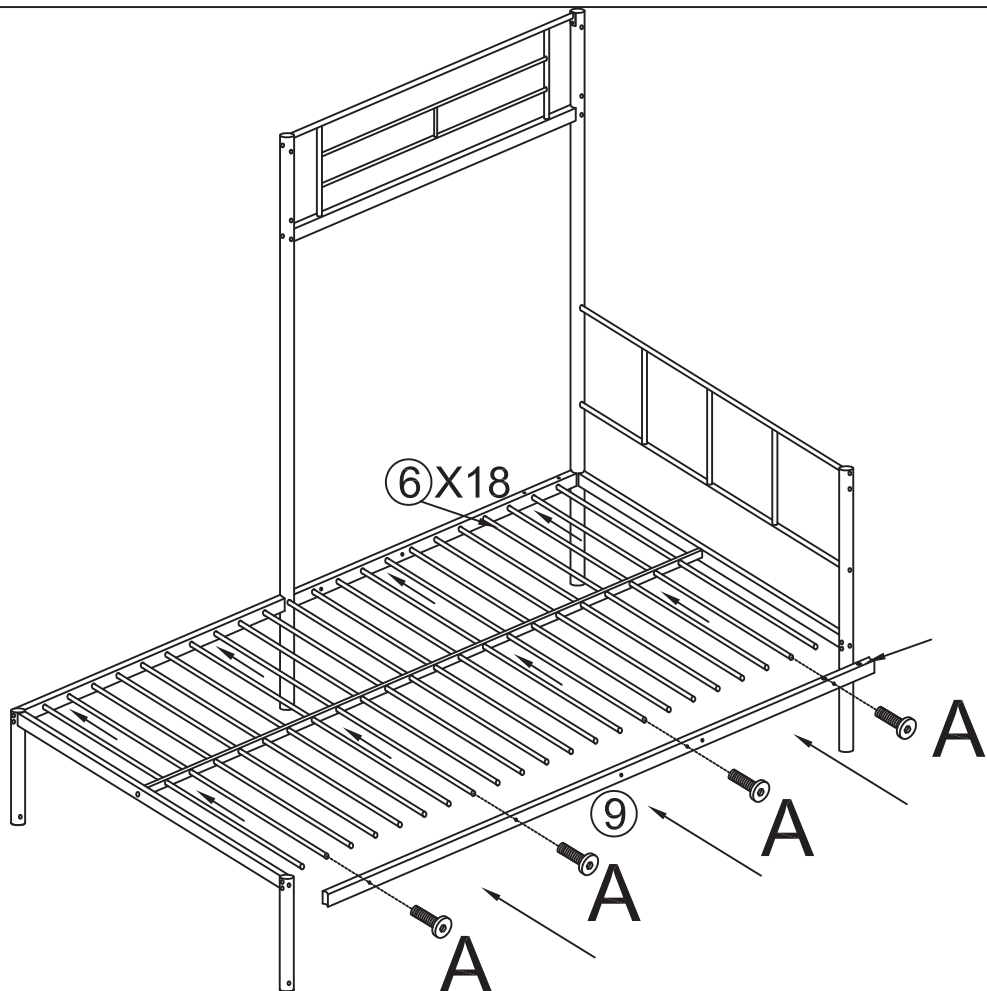



STEP 5



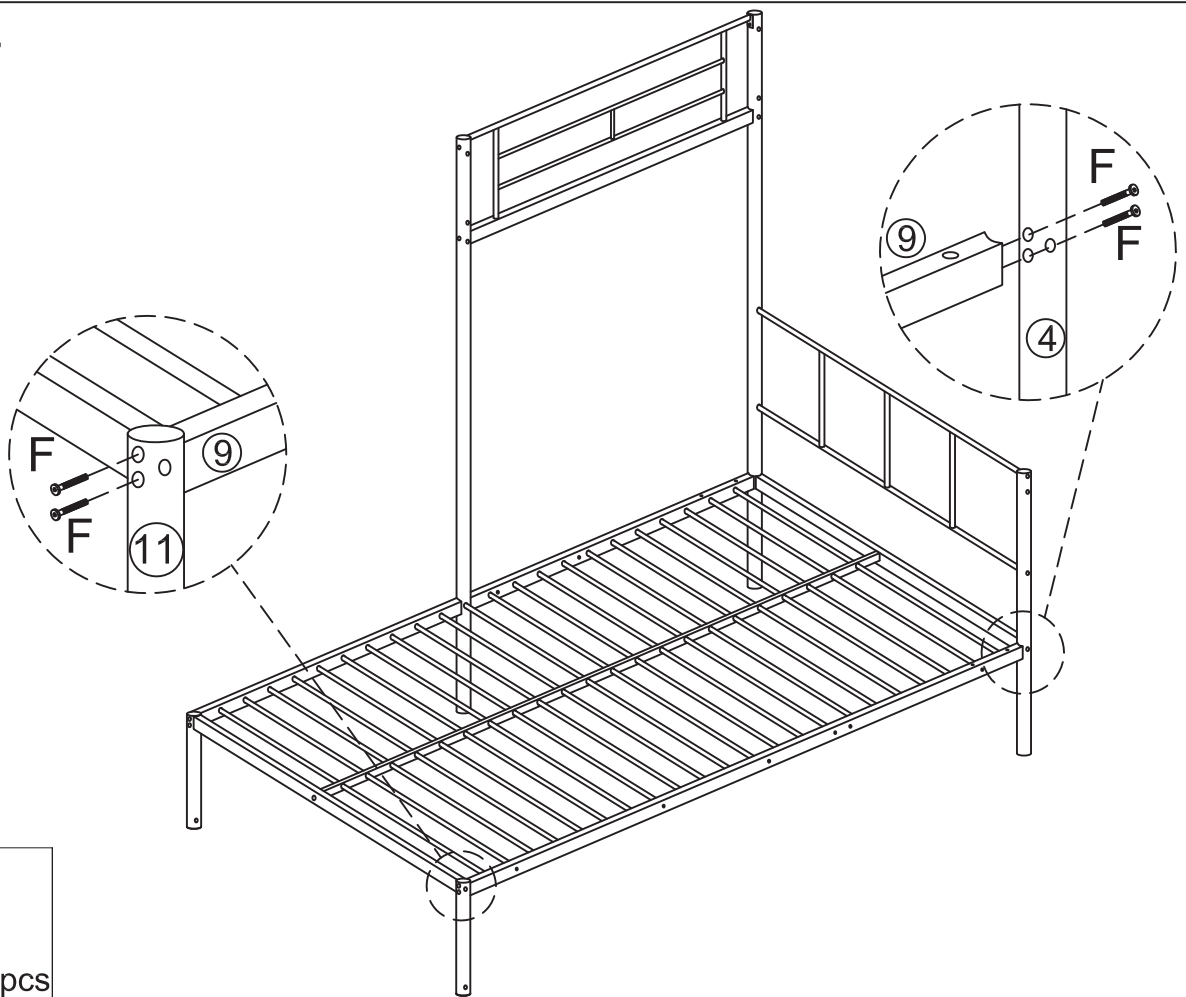
A 
M6X15mm
4pcs


STEP 6



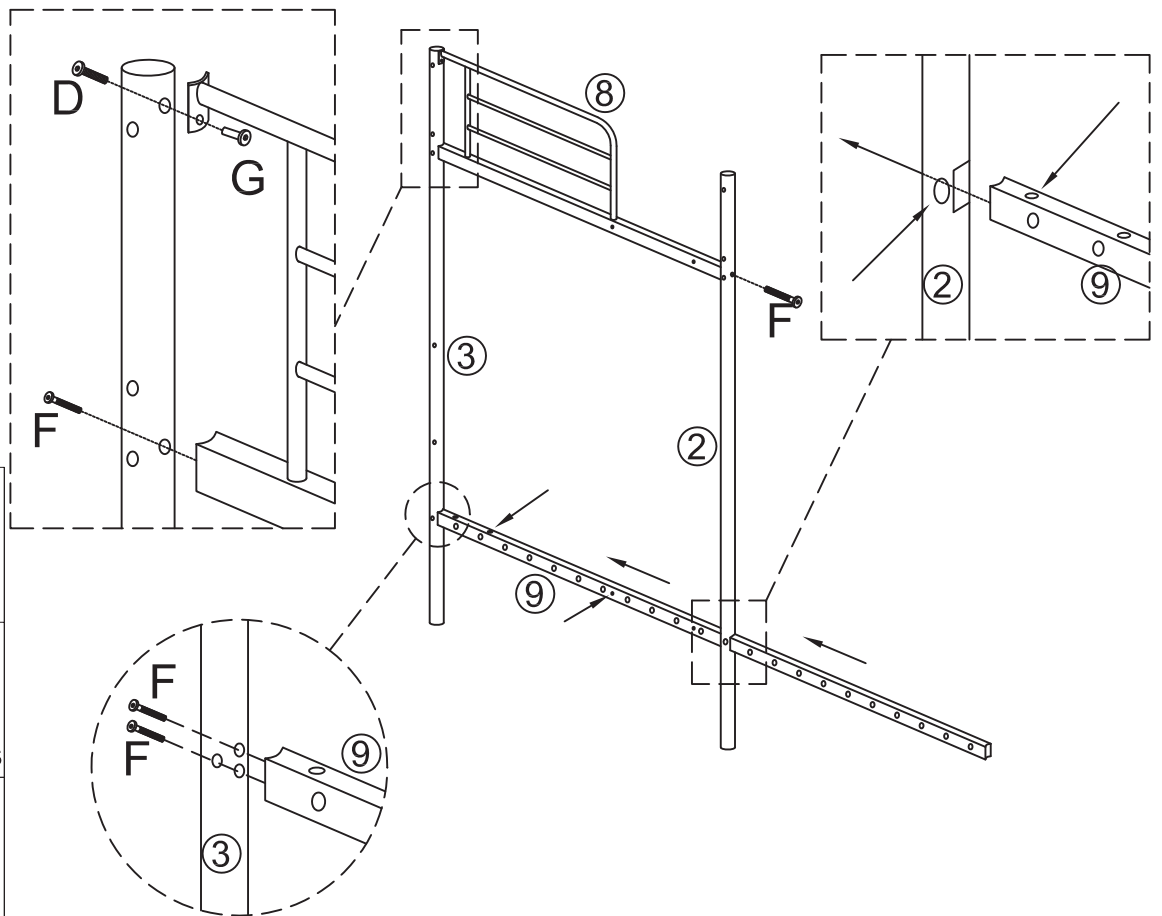
A 
M6X15mm
4pcs


STEP 7





- F**  M6X65mm
4pcs

STEP 8

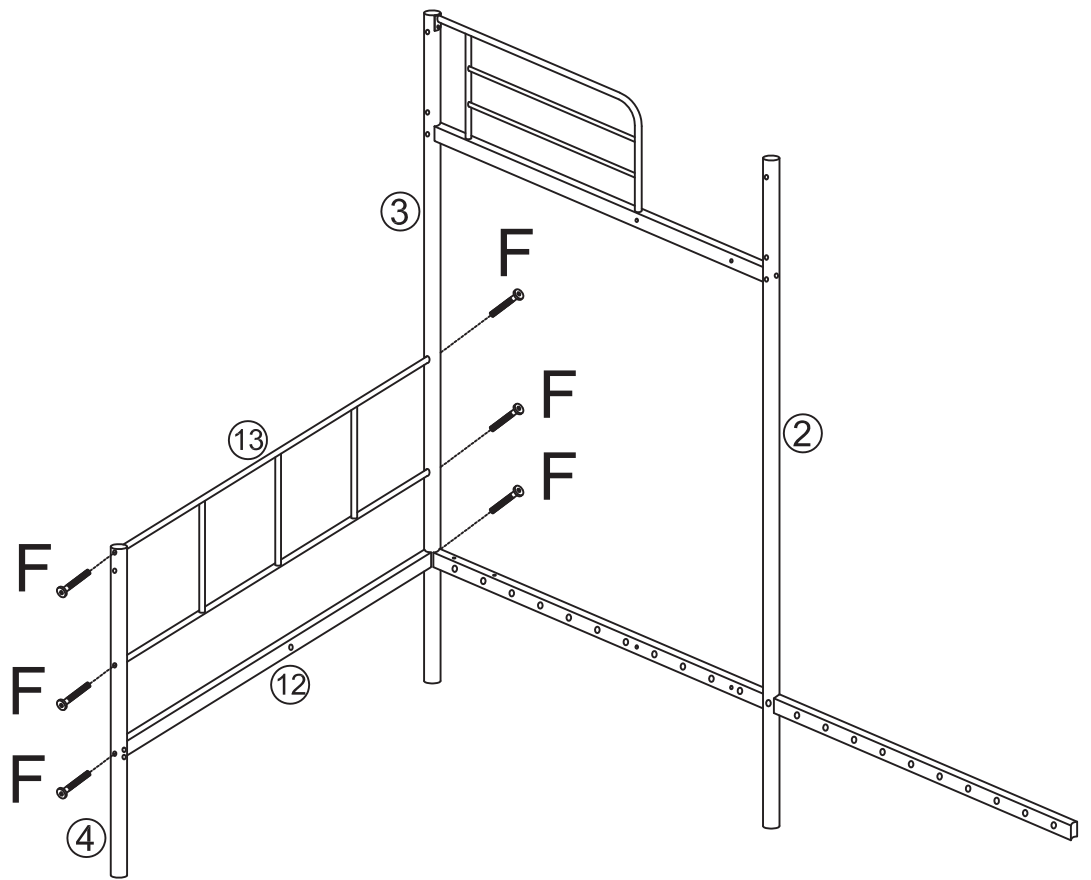


- D**  M6X40mm
1pc

- F**  M6X65mm
4pcs

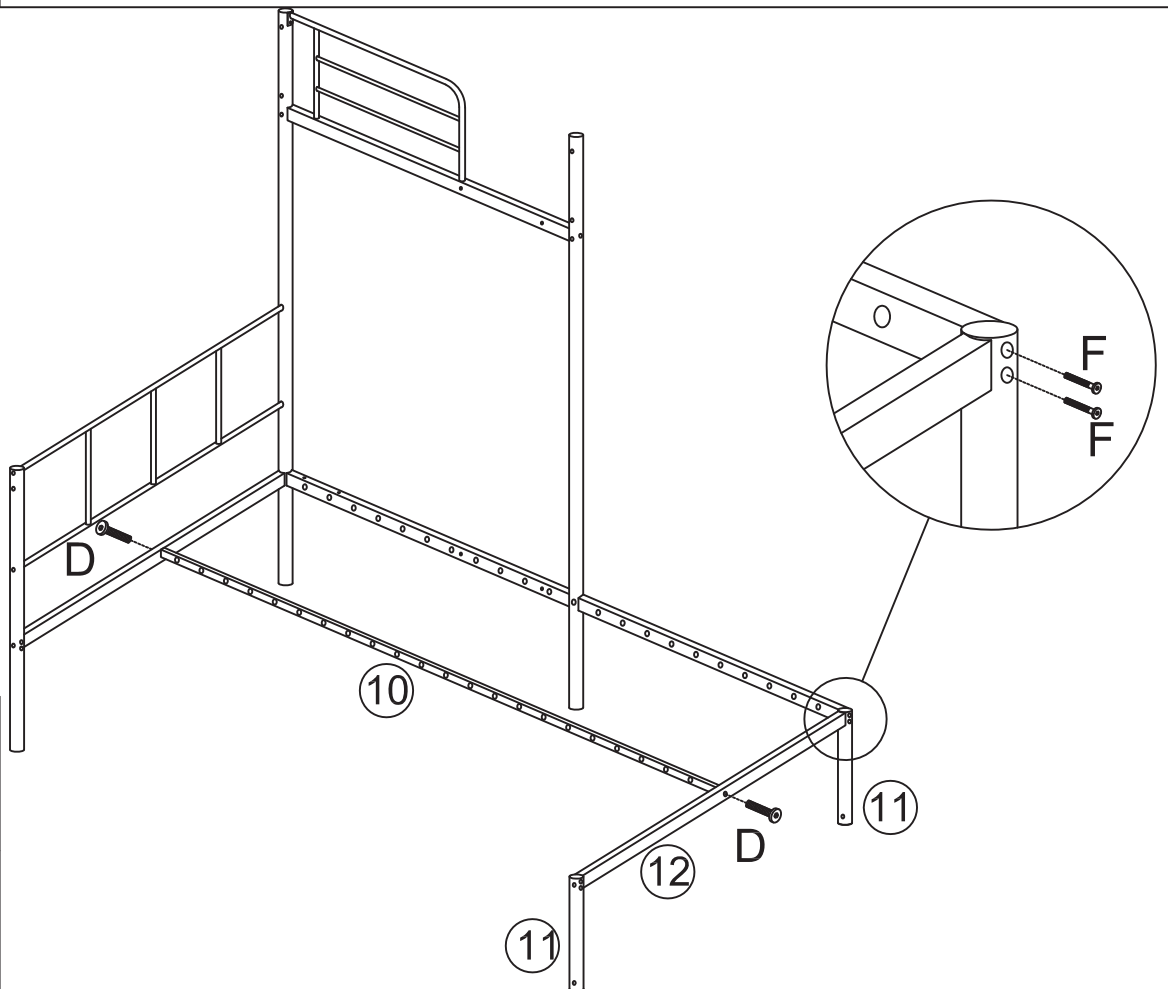
- G**  M6X17mm
1pc

STEP 9



F
M6X65mm
6pcs

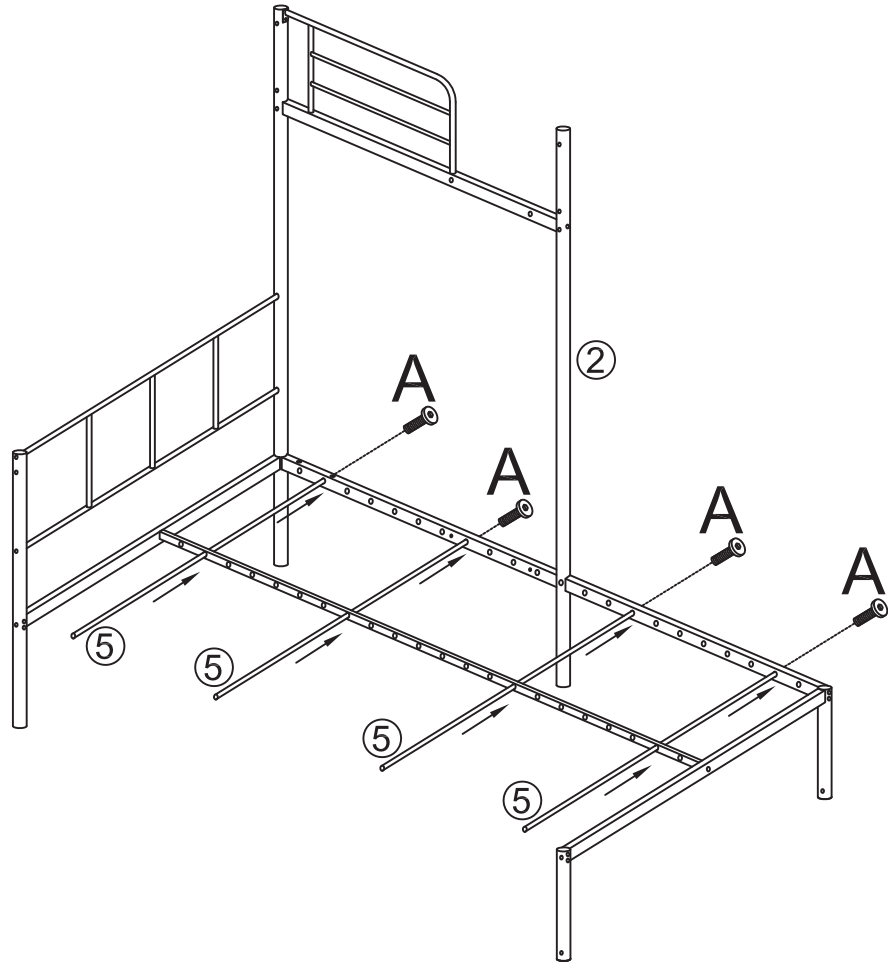
STEP 10




D
M6X40mm
2pcs

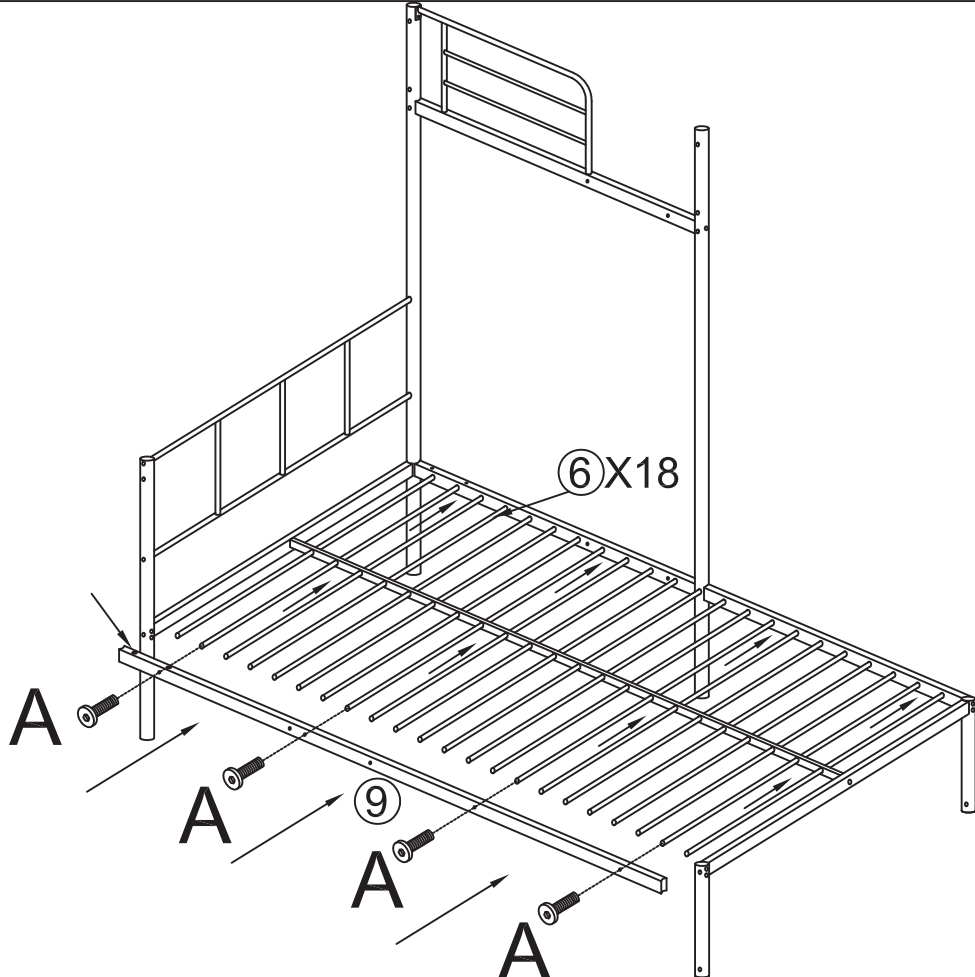
F
M6X65mm
2pcs


SETP 11



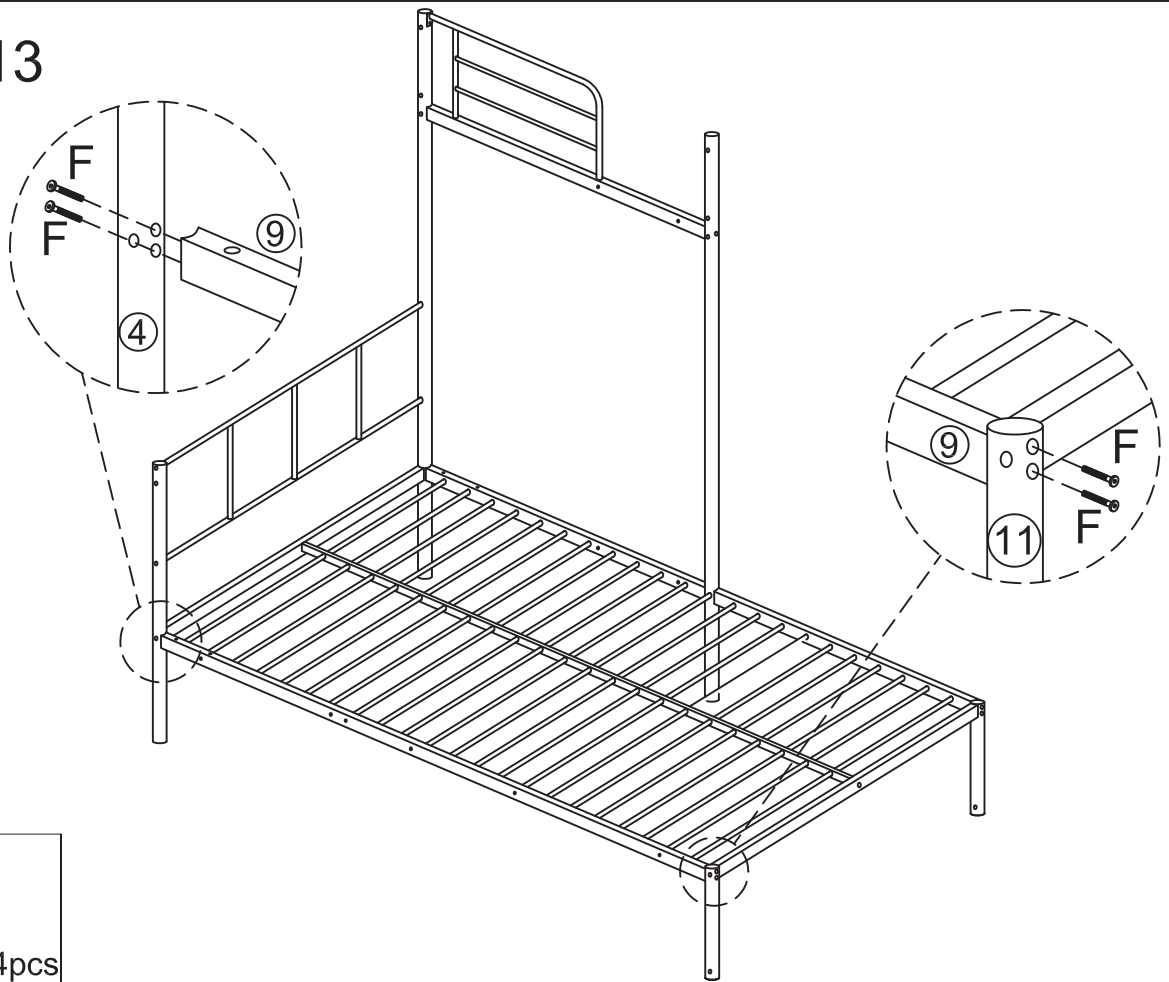
A 
M6X15mm
4pcs

SETP 12



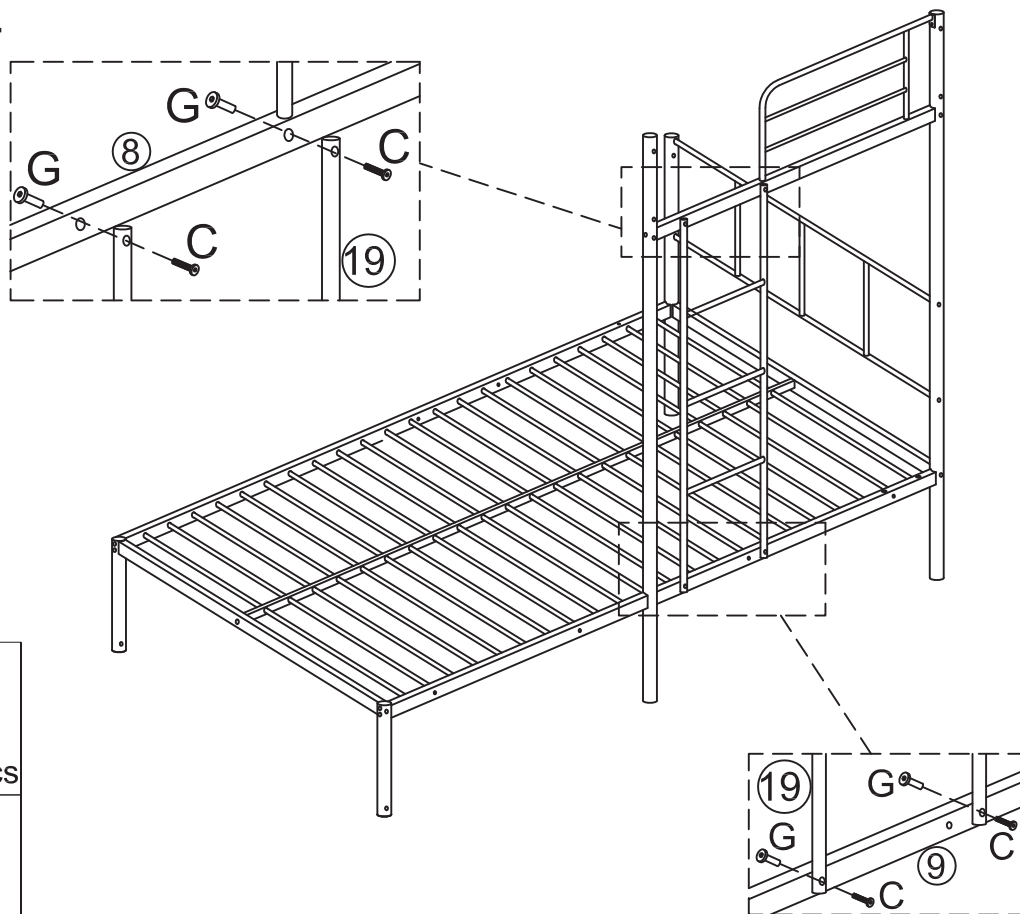
A 
M6X15mm
4pcs


SETP 13




- F**  M6X65mm
4pcs

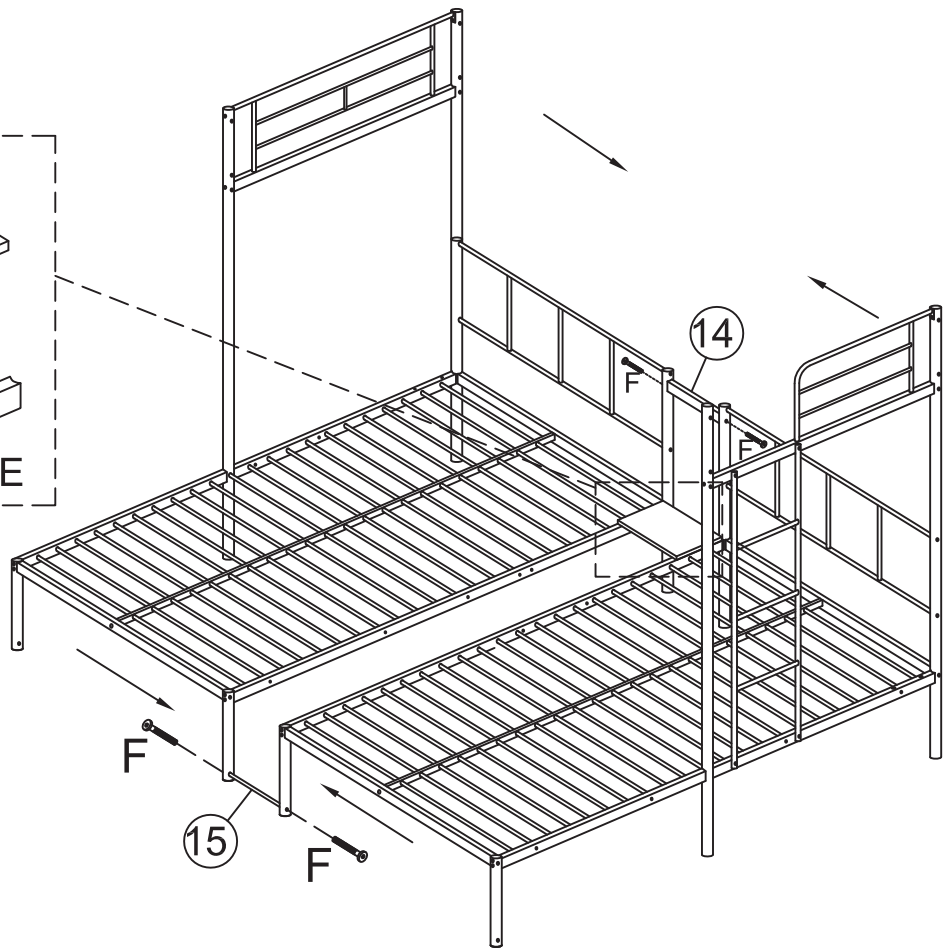
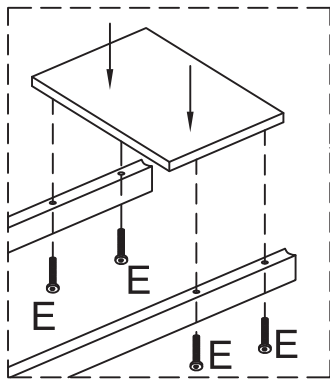
SETP 14


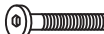


- C**  M6X35mm
4pcs

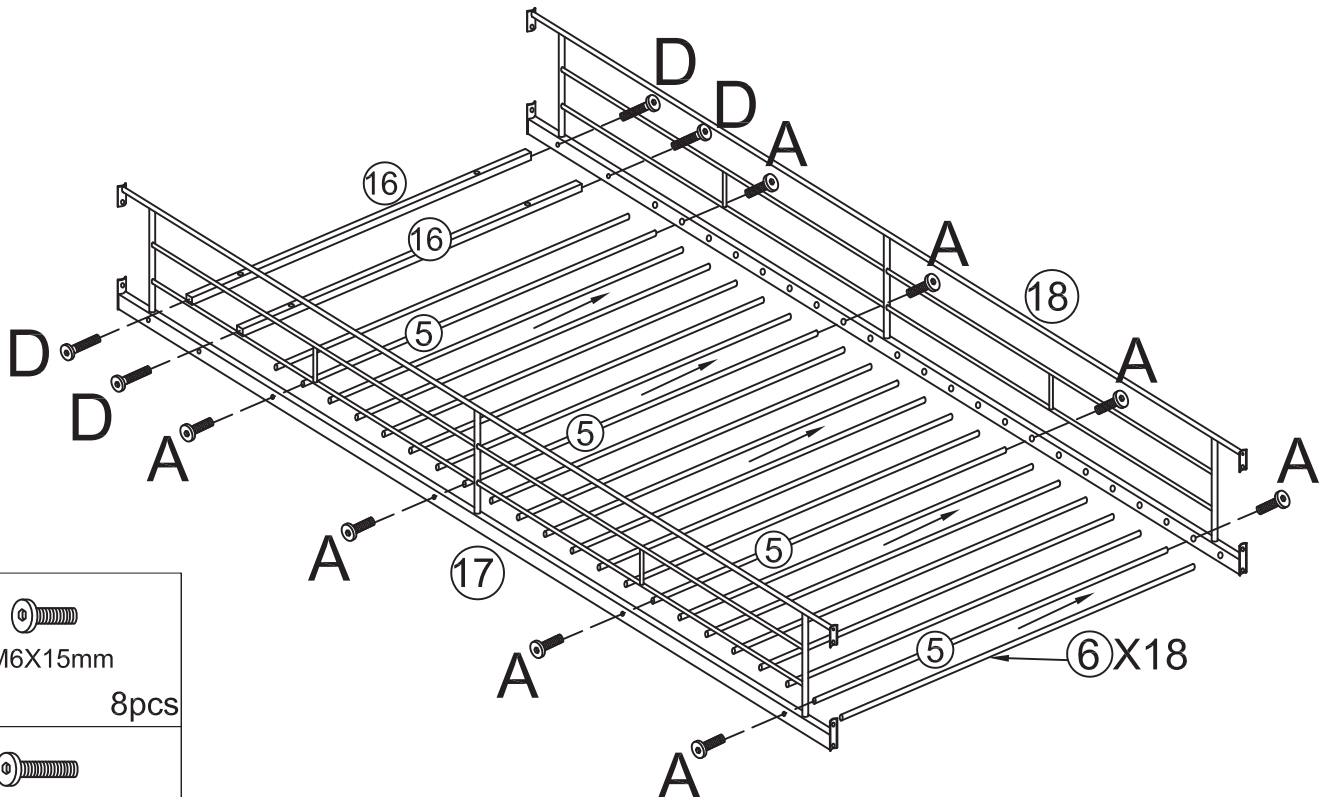
- G**  M6X17mm
4pcs



SETP 15



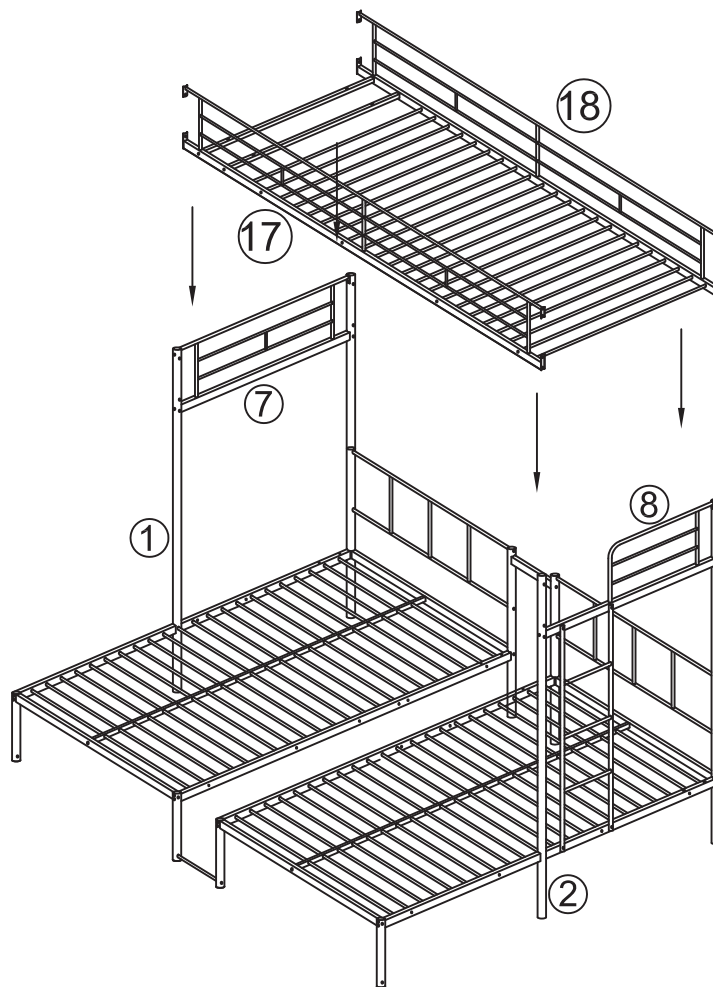
- | | | | |
|---|---|---------|------|
| E |  | M6X50mm | 4pcs |
| F |  | M6X65mm | 4pcs |

SETP 16

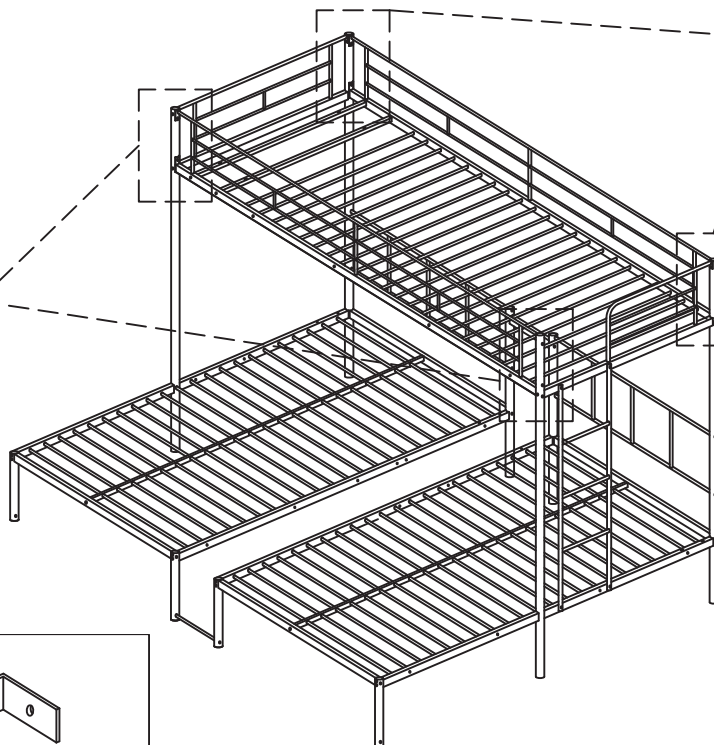
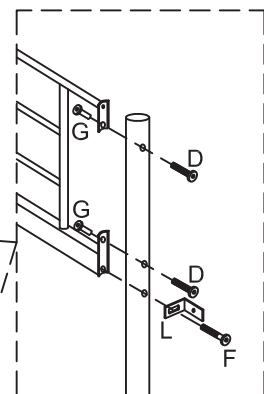
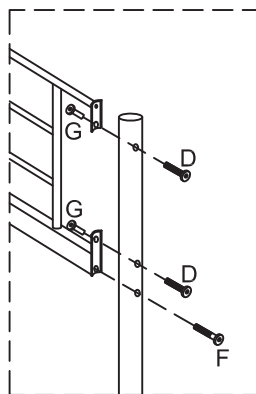



- | | | | |
|---|---|---------|------|
| A |  | M6X15mm | 8pcs |
| D |  | M6X40mm | 4pcs |


STEP 17




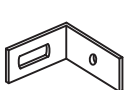
STEP 18



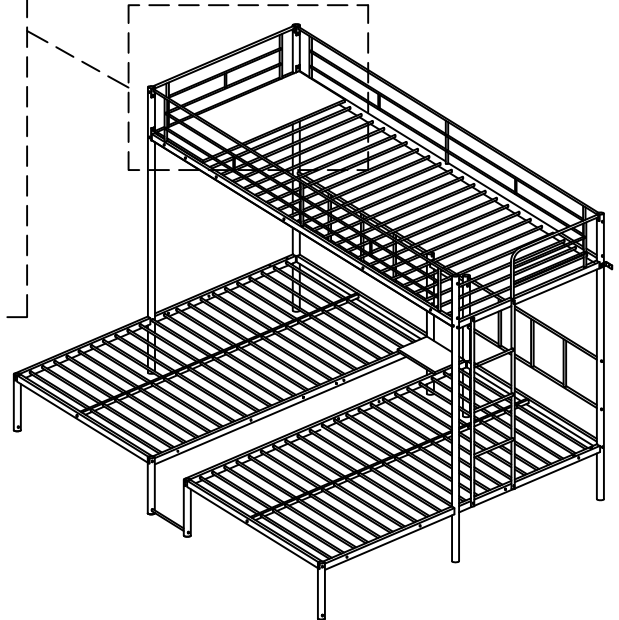
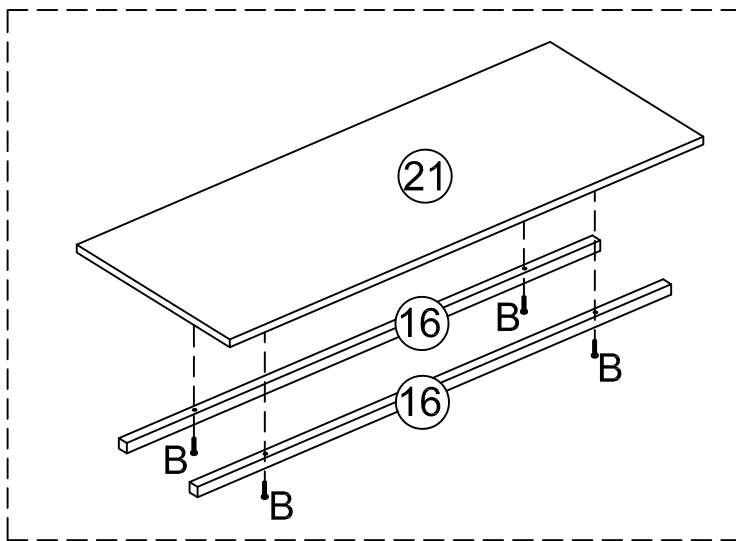
D

 M6X40mm
 8pcs

F

 M6X65mm
 4pcs

G

 M6X17mm
 8pcs

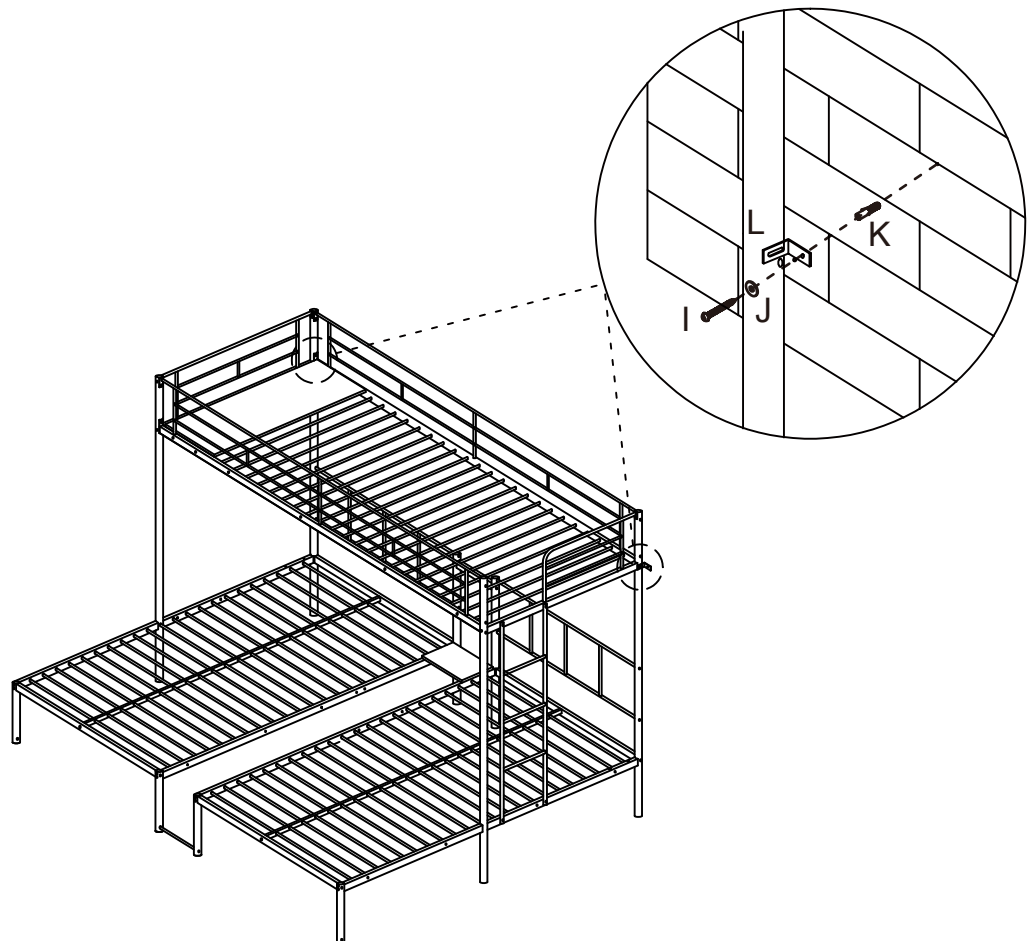
L

 2pcs




SETP 19



- B** 
M6X30mm
4pcs

SETP 20



- I** 
M4x30mm
2pcs
- J** 
2pcs
- K** 
2pcs