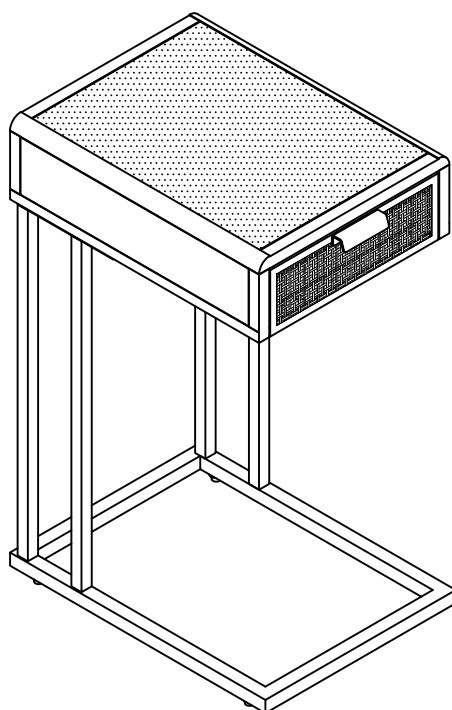




ASSEMBLY INSTRUCTIONS



SIDE TABLE

ASSEMBLY INSTRUCTIONS

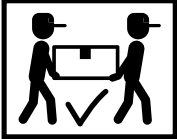
ASSEMBLY TIPS:

1. Remove hardware from box and sort by size.
2. Please check to see that all hardware and parts are present prior to start of assembly.
3. Please follow attached instructions in the same sequence as numbered to assure fast & easy assembly.



WARNING !

1. Don't attempt to repair or modify parts that are broken or defective. Please contact the store immediately.
2. This product is for home use only and not intended for commercial establishment.

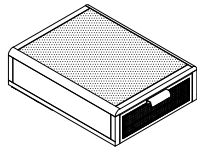


ASSEMBLY TIME

10 MINUTE

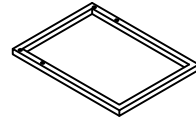
PARTS IDENTIFICATION

A TOP WITH DRAWER



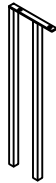
1PC

C BOTTOM FRAME



1PC

B LEG



2PCS

HARDWARE IDENTIFICATION

1

BOLT
(1/4"x1/2")



4PCS

2

BOLT
(1/4"x1-1/4")



4PCS

3

ALLEN KEY
(4x22x60mm)



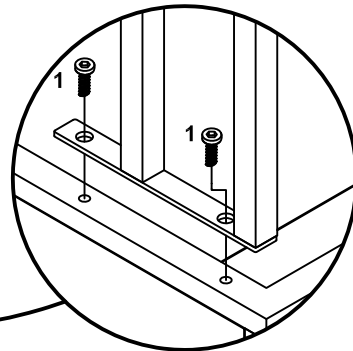
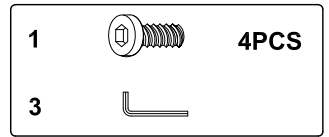
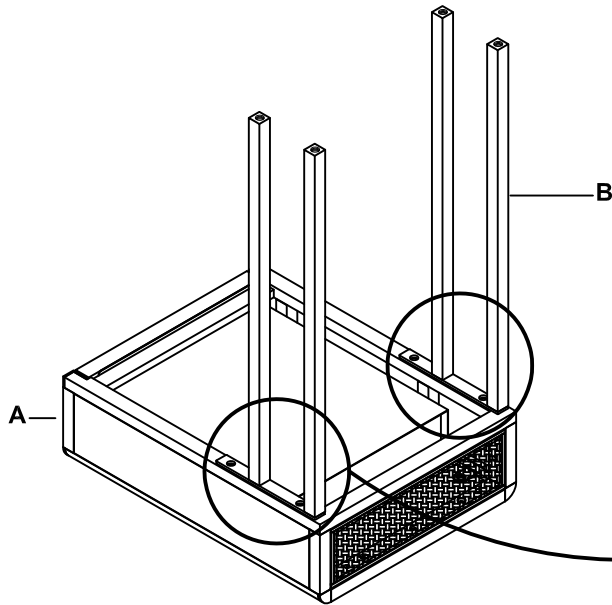
1PC

ASSEMBLY INSTRUCTIONS

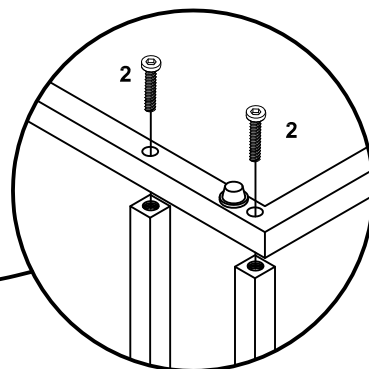
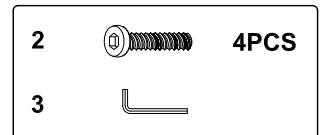
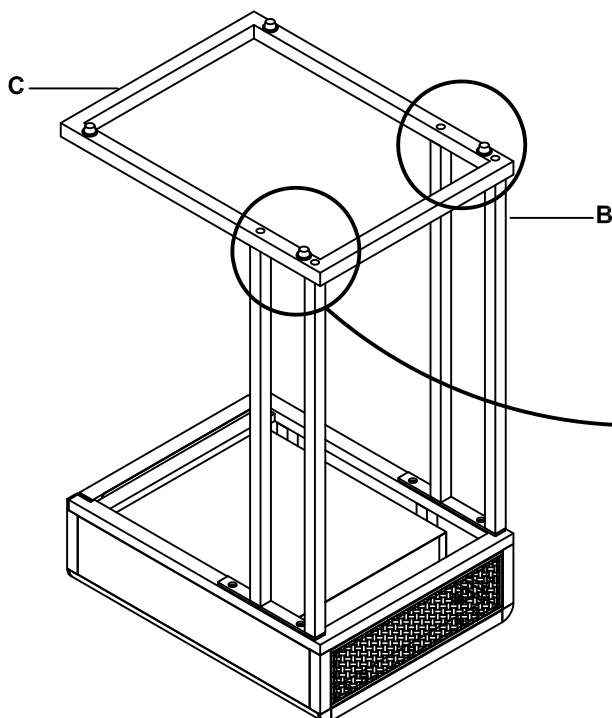
STEP 1:

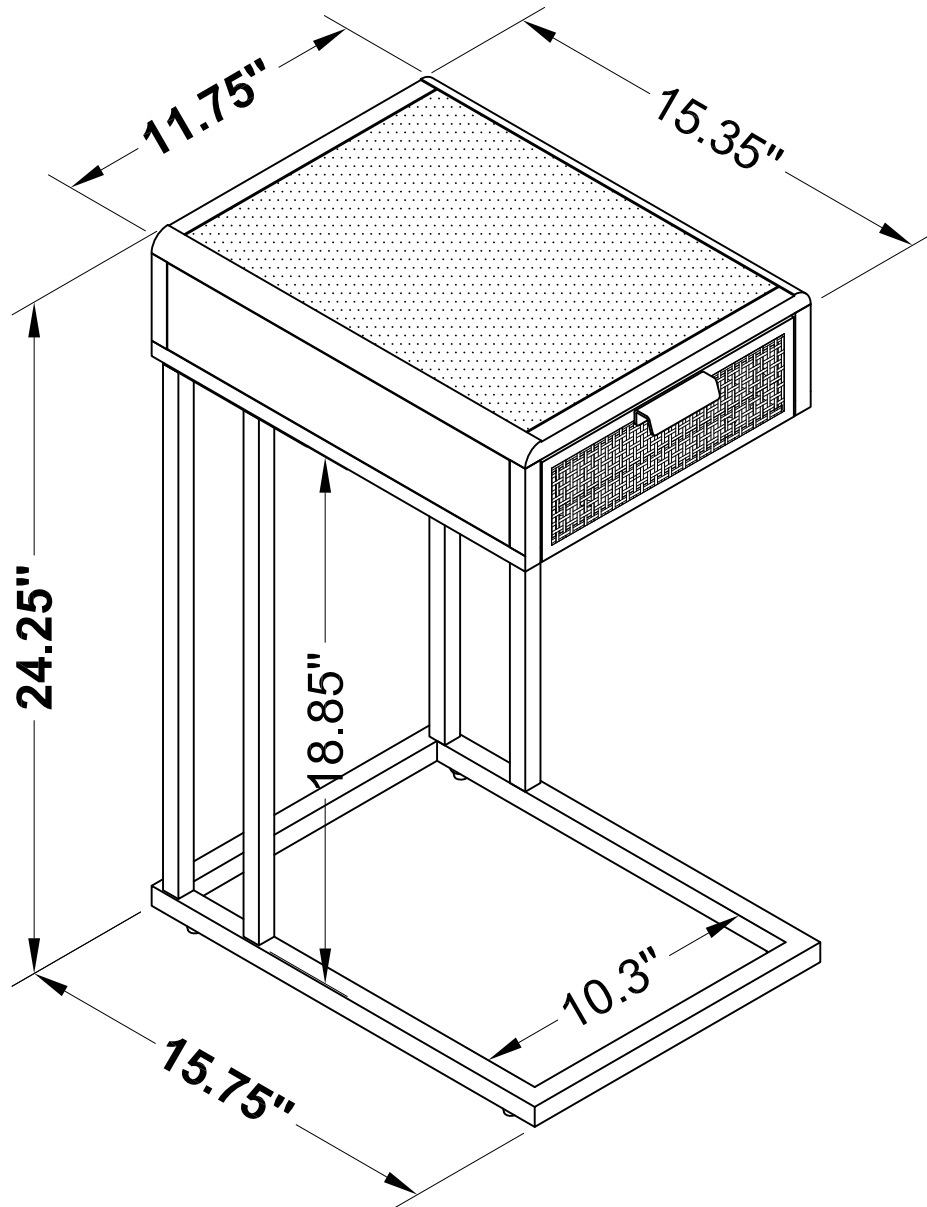
ASSEMBLY

Do not fully tighten all bolts until assembly is complete.
This will help all parts to assemble properly.



STEP 2:





Note : Dimension tolerance $\pm 5\%$