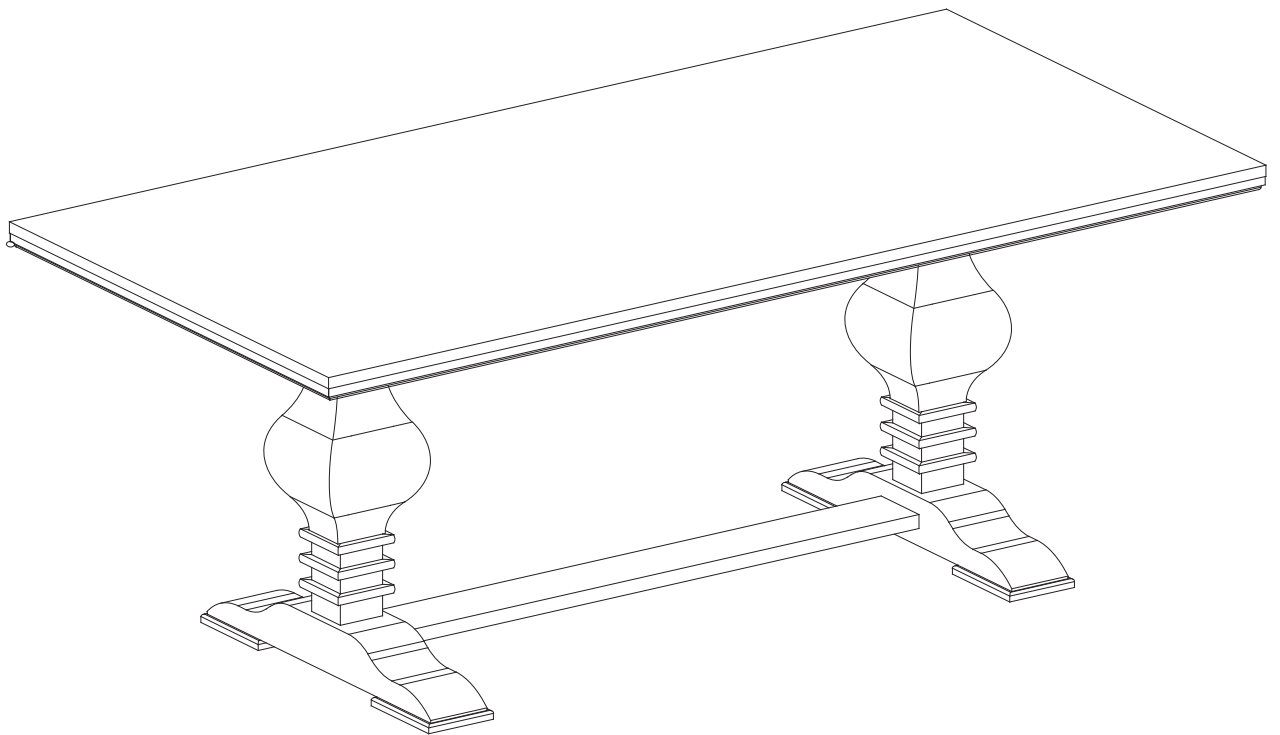
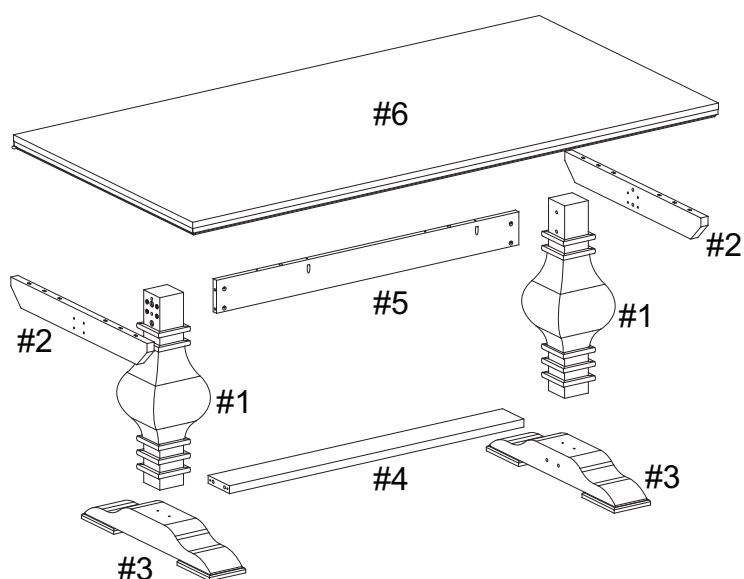

BANKS DINING TABLE
BANKS TABLE À MANGER
BANKS MESA DE COMEDOR


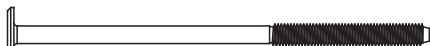

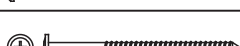
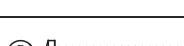






PART LIST


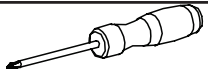
#1	LEGS	02
#2	SUPPORT	02
#3	FEET	02
#4	RAIL	01
#5	CROSSBAR	01
#6	TOP PANEL	01



HARDWARE LIST

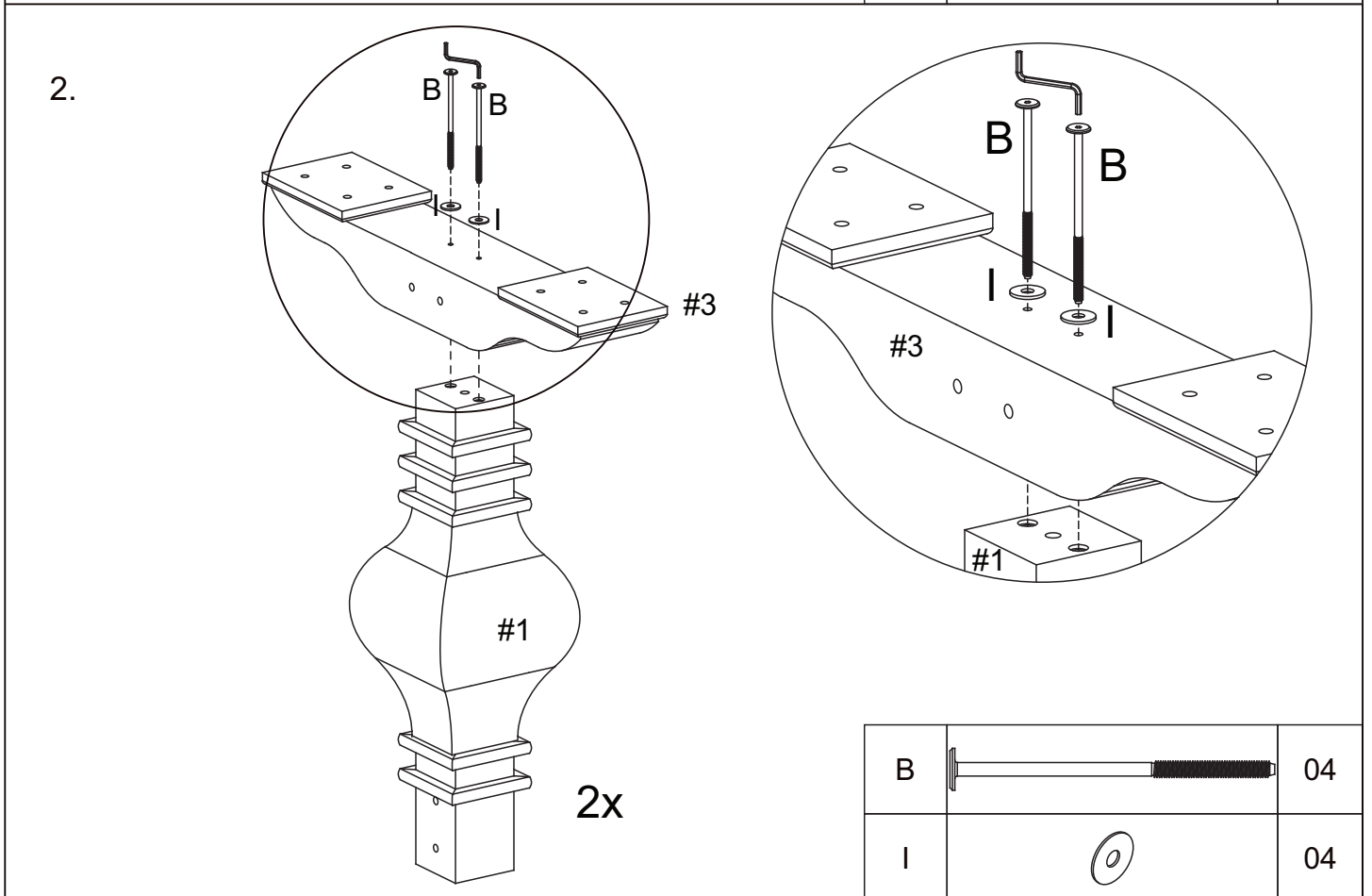
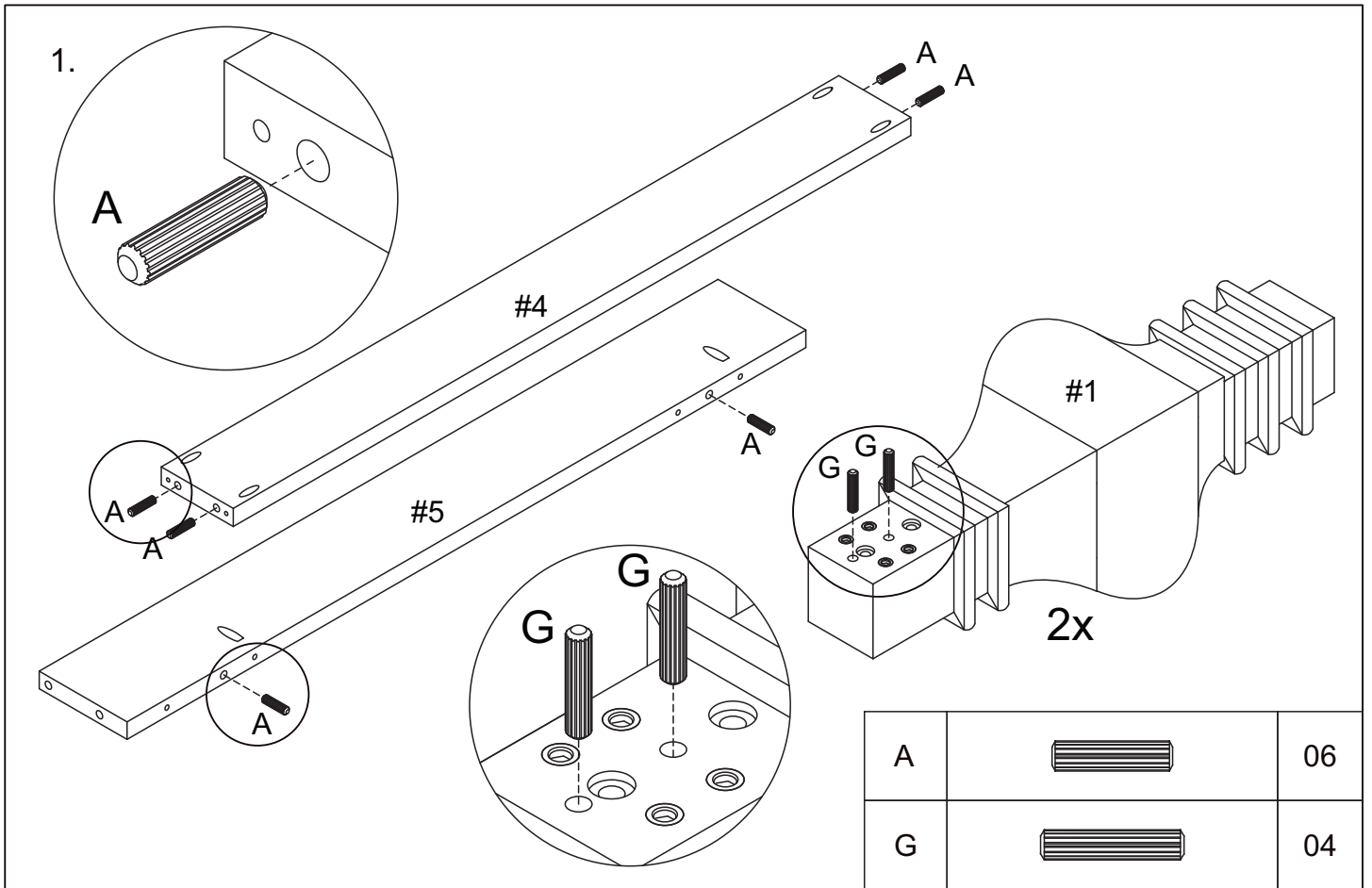
A	WOOD DOWEL (Ø13/32"X 1 9/16")		06
B	BOLT (Ø1/4"X 5 1/8")		08
C	BOLT (Ø1/4"X 2 13/32")		08
D	SCREW (Ø3/16"X 2 13/32")		12
E	SCREW (Ø5/32"X 1 13/32")		08
F	CYLINDRICAL NUT		04
G	WOOD DOWEL (Ø13/32"X 1 7/8")		04
H	ADHESIVE FELT		08
I	WASHER		04

TOOLS REQUIRED

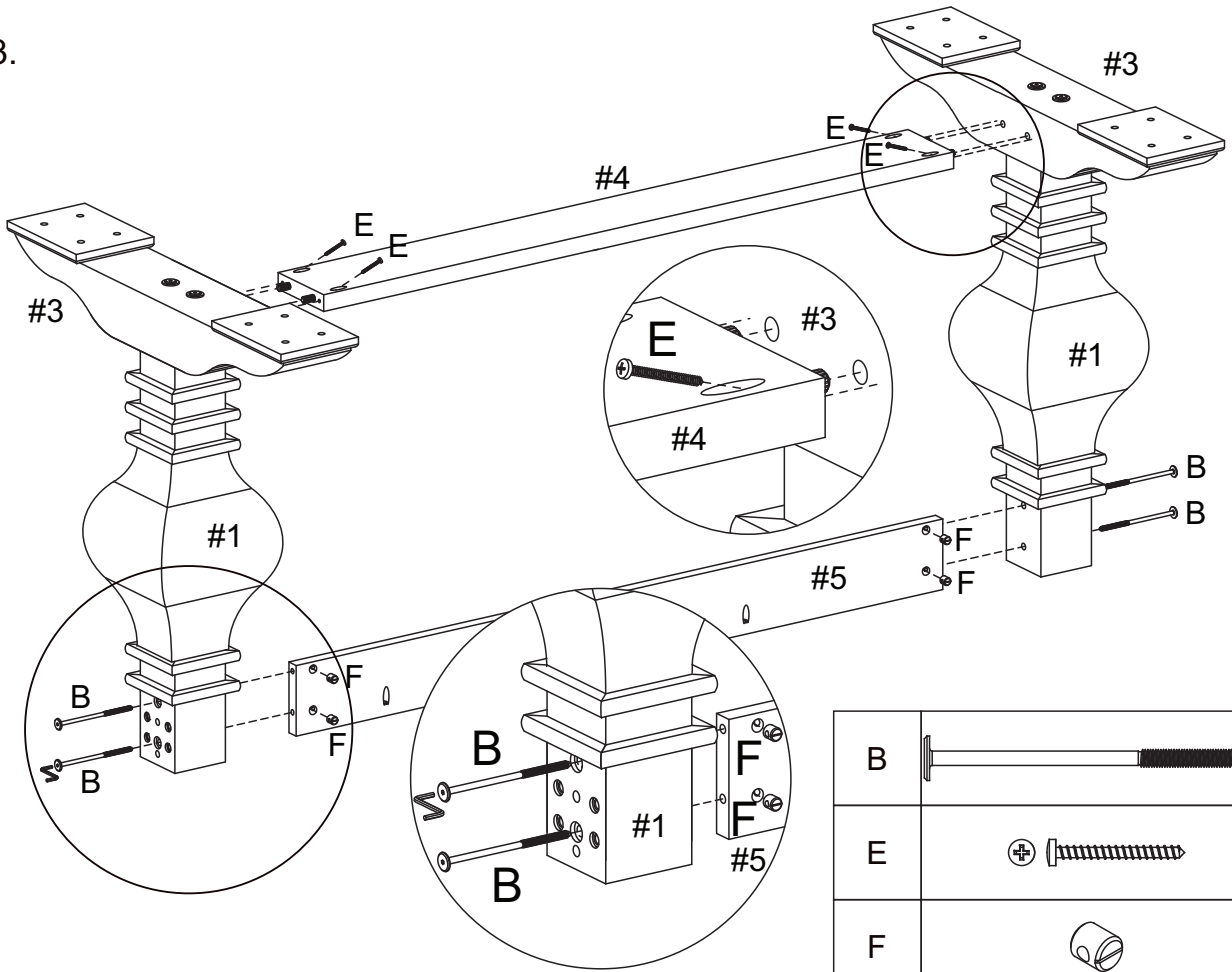
ALLEN KEY		SUPPLIED
PHILLIPS HEAD SCREWDRIVER		NOT SUPPLIED

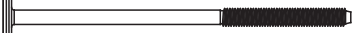
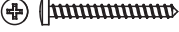

IMPORTANT:

1. Do not tighten bolts completely until all bolts are completely lined up and inserted into holes / nuts.
2. Do not over tighten screws and bolts to avoid stripping.
3. Please use hand tools to assemble this product. Do not use power tools.

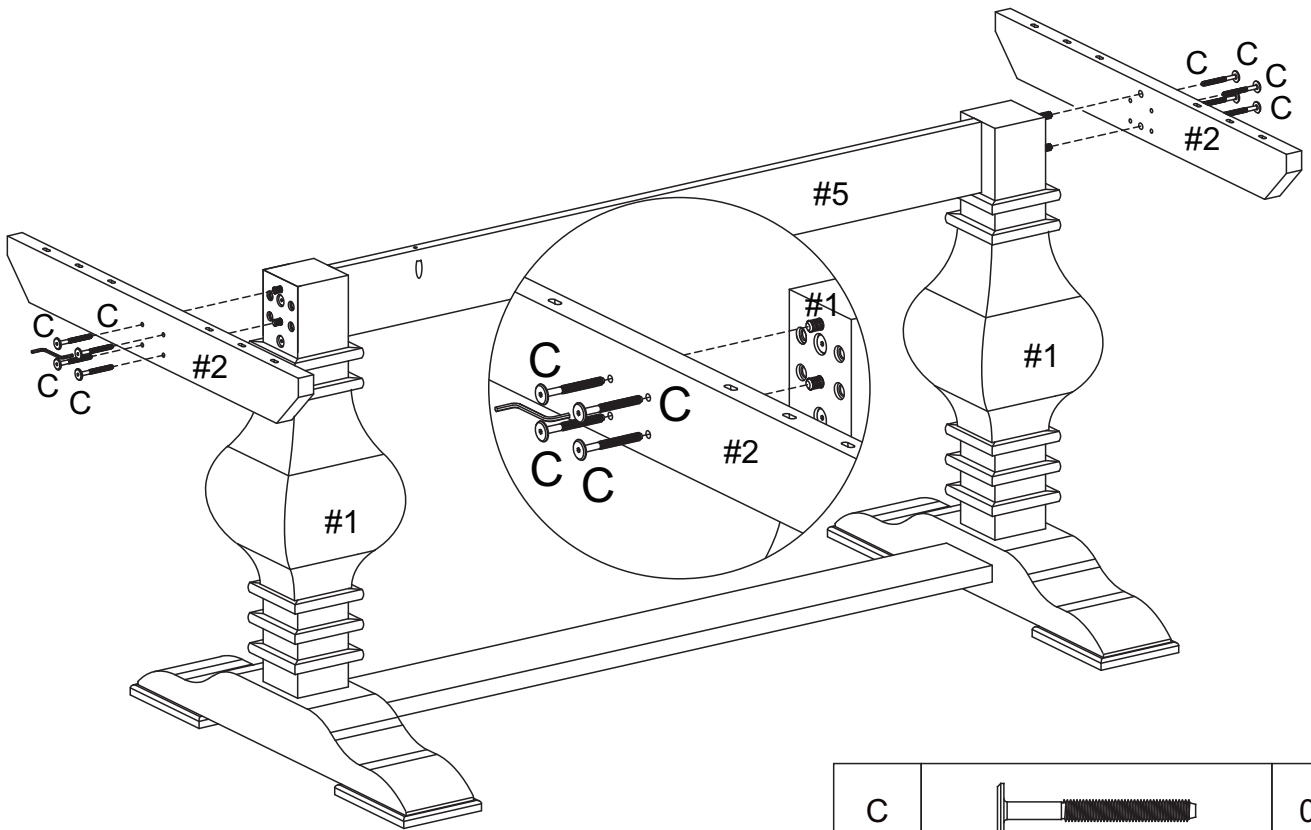



3.



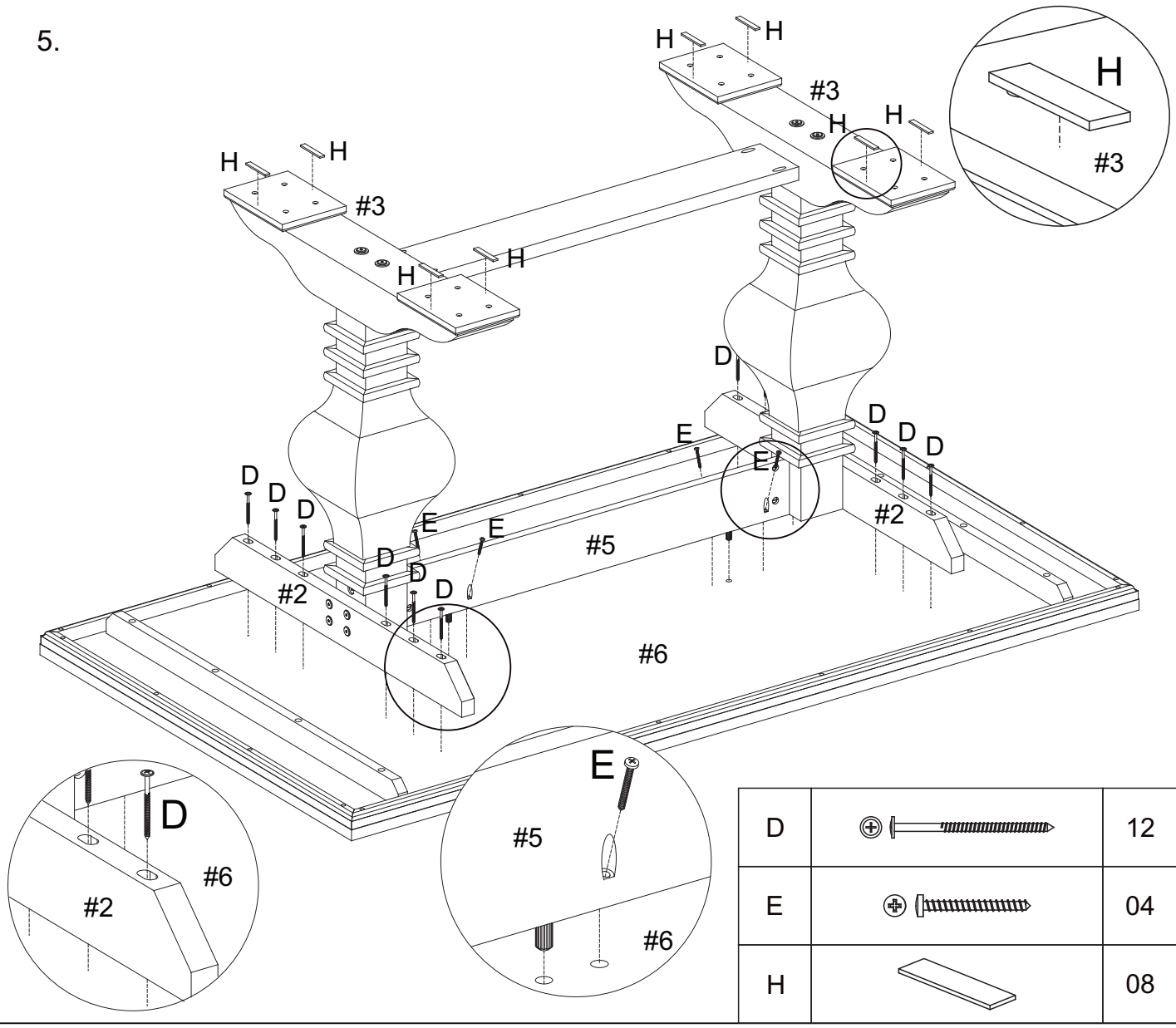
B		04
E		04
F		04

4.



C		08
---	---	----

5.



6.

