



15 : 00

estimated
assembly time



2 or more

people required

Ok, let's
get started!



- Put on mood music!
- To prevent damage to product, use the clean side of package carton or rug as working surface.
- In the event of missing or damaged parts, delivery problems etc., please reach out to our team.
We will be happy to fix the problem!

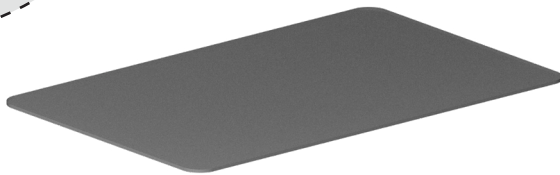
care guide

- Clean regularly with a soft and dry cloth.
- To protect finish, avoid use of abrasive cleaners.
- Wipe up spills immediately. Please!

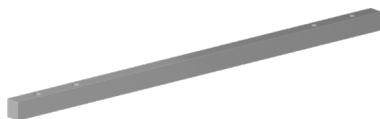
ⓘ **While assembling the product, tighten the bolts up to 50%. Once all parts are in place, only then fully tighten the bolts.**



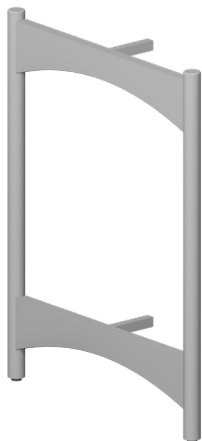
product parts



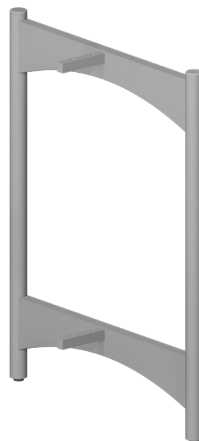
A
Glass shelf
x2



B
Metal Rod
x2



C
Frame
x1

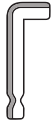


D
Frame
x1

what's included



(E) - Bolt
(M6 x 12mm)
x8



(F) - Allen Key
(M4 x 140mm)
x1



(G) - Bumpons
x8

assembly instructions

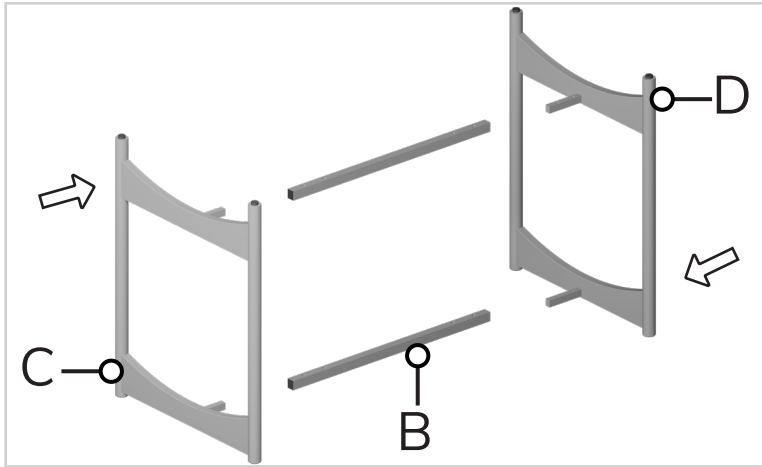
Friendly Tip: Take a deep breath going in. This may be a tricky part, but nothing too overwhelming. Just follow these steps to the T and the outcome will be worth it!



- ⓘ While assembling the product, tighten the bolts up to 50%. Once all parts are in place, only then fully tighten the bolts.

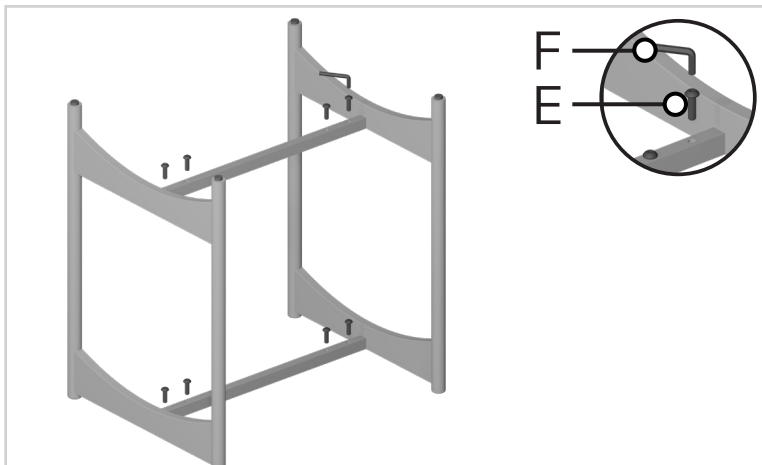
step 1:

Start by placing the both the frames (C & D) and Metal Rods (B) upside down and align them with each other as shown below.



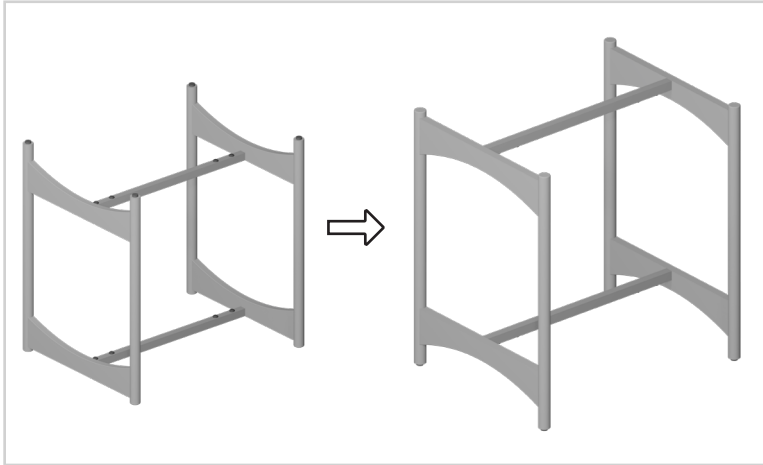
step 2:

Attach the Metal Rods (B) and Frames (C & D) using bolts (E) and tighten them using Allen Key (F).



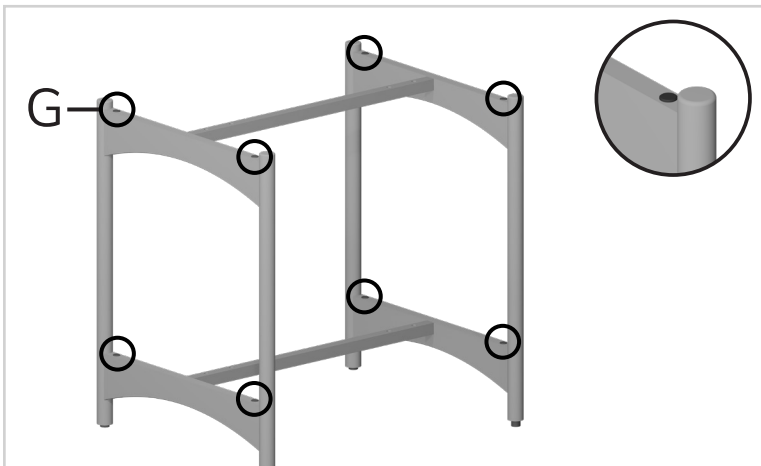
step 3:

Now flip the resulting frame upside down for the next steps.



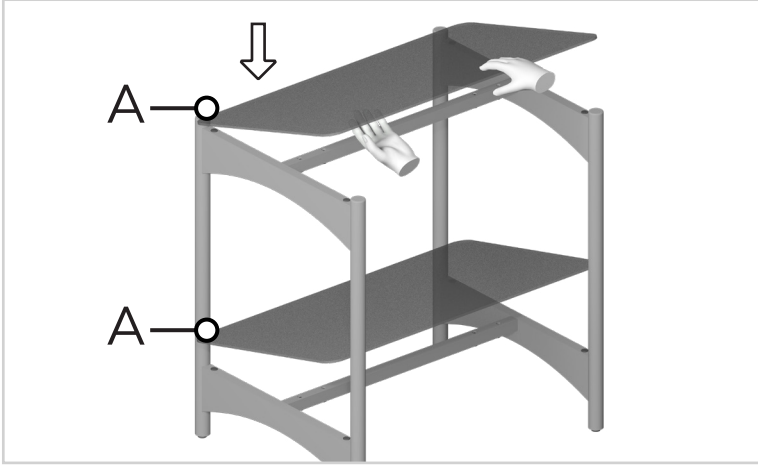
step 4:

Now, stick the bumpons (G) at the corners of the frames (C & D). Use the image below as a reference.



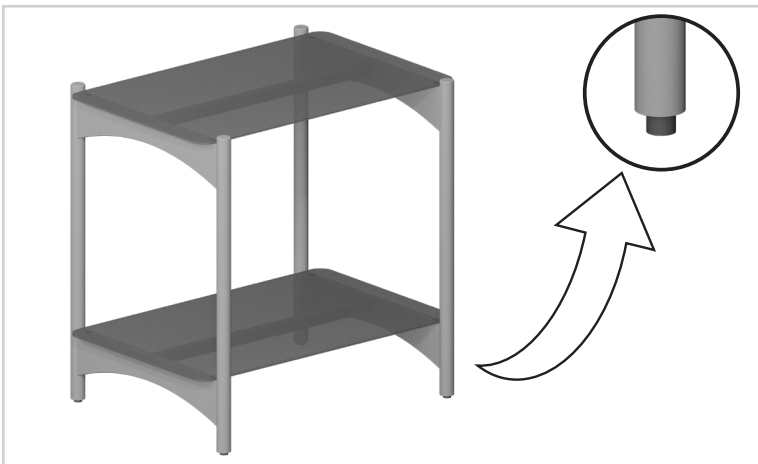
step 5:

When done, take both the glass shelves (A) and place them over the bumpsons. Support the glass by placing one hand under the rod and holding the glass with the other hand. Ensure that they are fixed properly.



step 6:

If required, adjust the levellers according to the floor as shown in the image.



Voila! Your table is now assembled and secure!

you've
got
a home
with us

