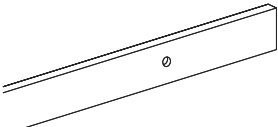


Barn Door Hardware Instructions

kit component

1

x1 Track

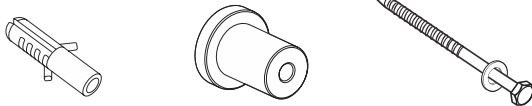


2

10*50mm Anchor
Just for concrete wall

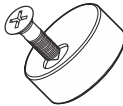
x5 Wall spacer

x5 5/16 (8mm x 90mm)
Wall Screw



3

x2 Anti-jump Block

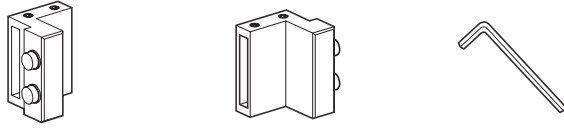


4

x1 Right Stopper

x1 Left Stopper

Allen Key



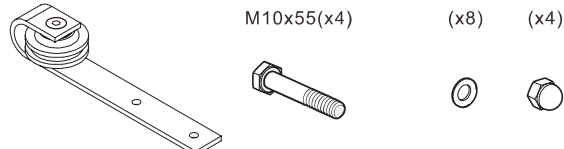
5

x2 Straight Strap

Bolts for 35-40mm door
M10x55(x4)

Washers
(x8)

Nut
(x4)




6

x2 #8 (4.2mm x 25mm)
Floor Screws

x2 1/4 (6mm) Floor
Anchor

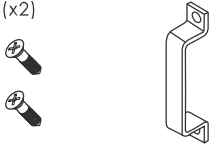
x1 Internal Floor-
Mounted Door Guide



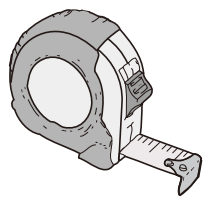
7


Nut
(x2)

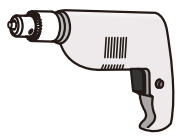
Door Handle
(x1)



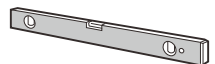
Tools Required









Level



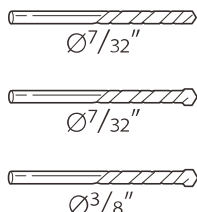
Pencil



Phillips Screwdriver



Drill Bit



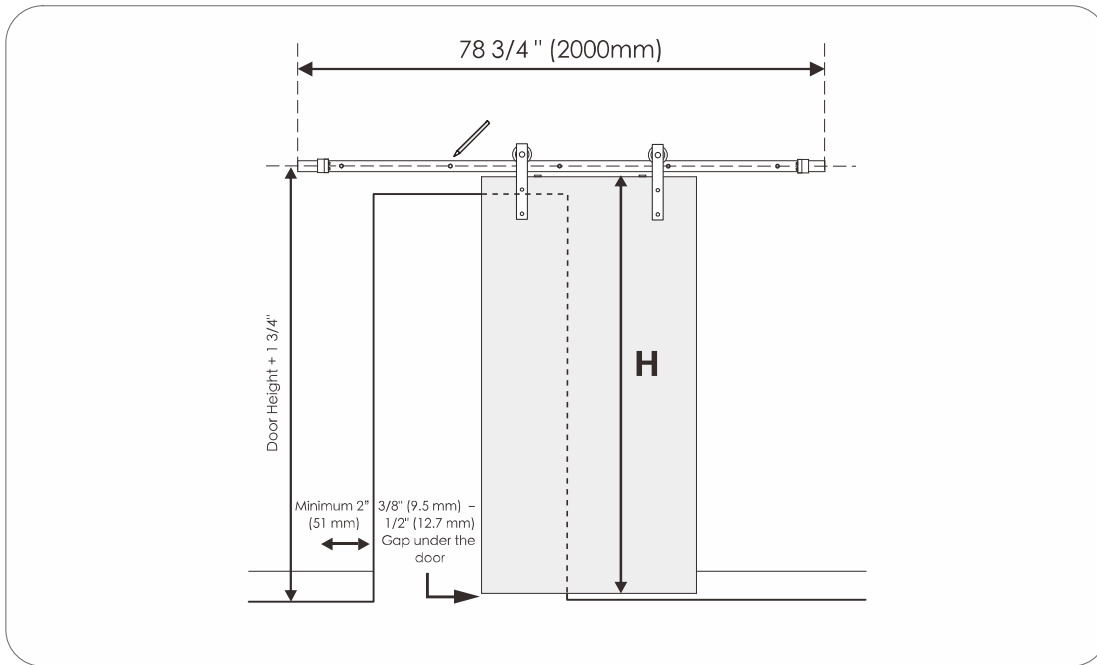
Ø7/32"

Ø7/32"

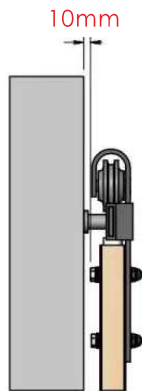
Ø3/8"

Measure Before You Begin Installation

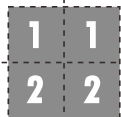
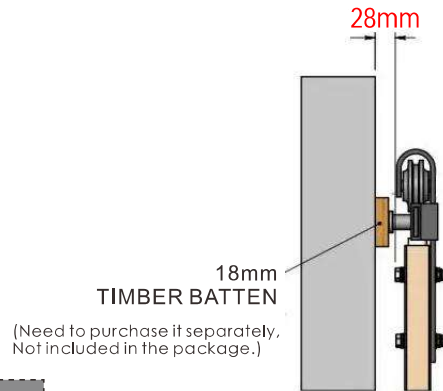
Add +1 3/4" to the door height (H) and measure up from the floor to find the height of the center of the track. Ensure a gap of 3/8" - 1/2" at the bottom of the door and make marks on the wall on both the left and right sides of the door opening. A minimum of 2" track clearance must be maintained on both the left and right sides of the door opening.



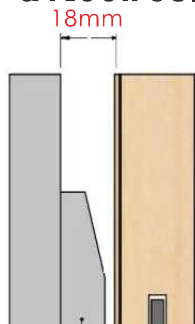
WITHOUT TIMBER BATTEN



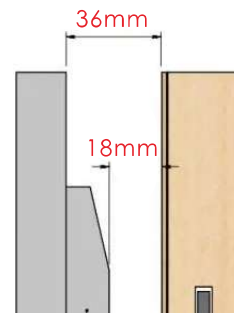
WITH TIMBER BATTEN



WITHOUT TIMBER BATTEN & FLOOR GUIDE



WITH TIMBER BATTEN & FLOOR GUIDE

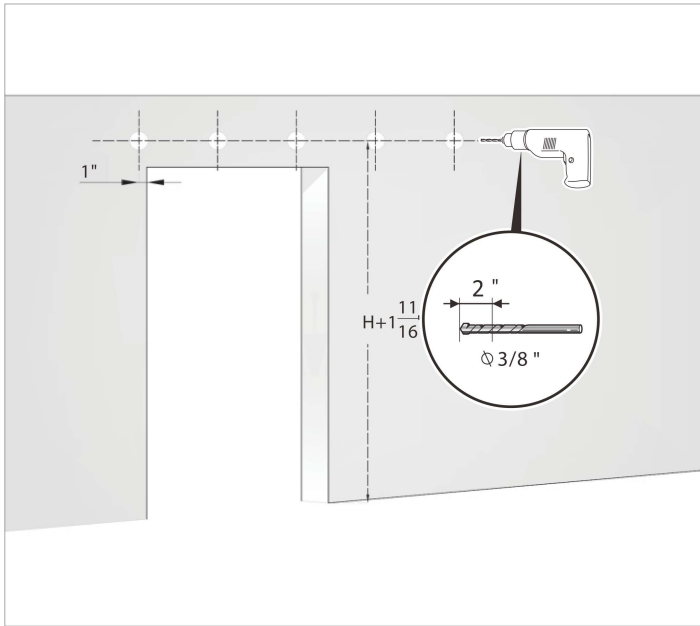


Step 1

Drill the marked holes with drill bits.
Notice: The hole sizes of the 2 walls are different.

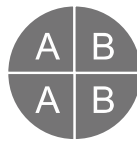
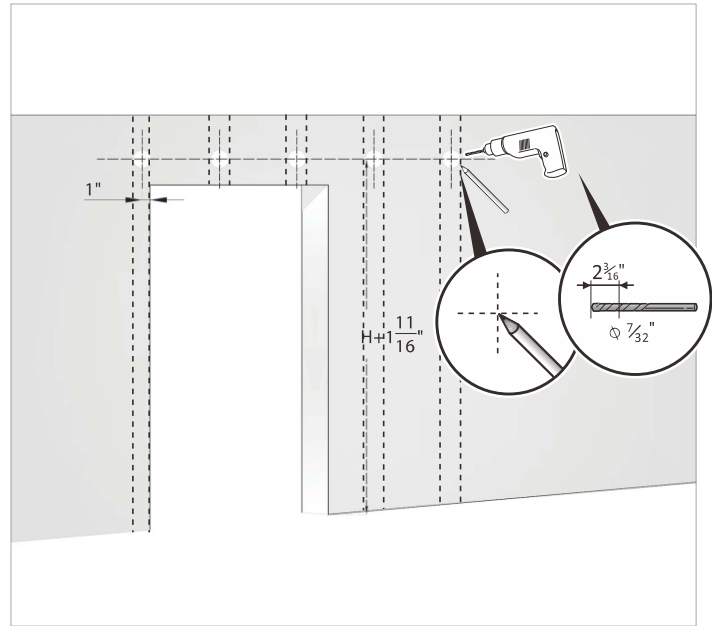
CONCRETE Wall Preparation (A)

Use your guide marks to position the track in place, ensuring that it is level. Mark the mounting holes on the track using a pencil. Then, pre-drill $\frac{3}{8}$ " holes into the concrete according to your marks.



DRYWALL Wall Preparation (B)

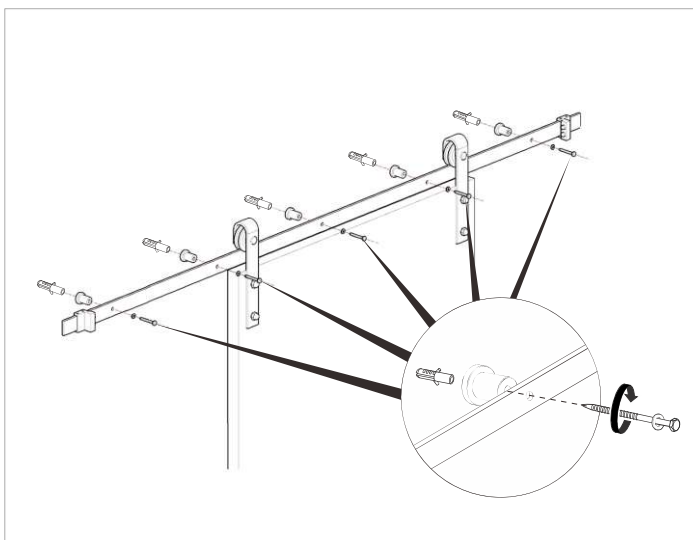
Drill the pilot holes directly with the drill bit which is smaller than $\frac{7}{32}$ "
 Note: Drill holes on the wooden frame inside the drywall. The distance between each pre-drilled hole is $1\frac{1}{4}$ " and can be directly aligned with the wooden frame during drilling.



Step 2

CONCRETE Track Installation (A)

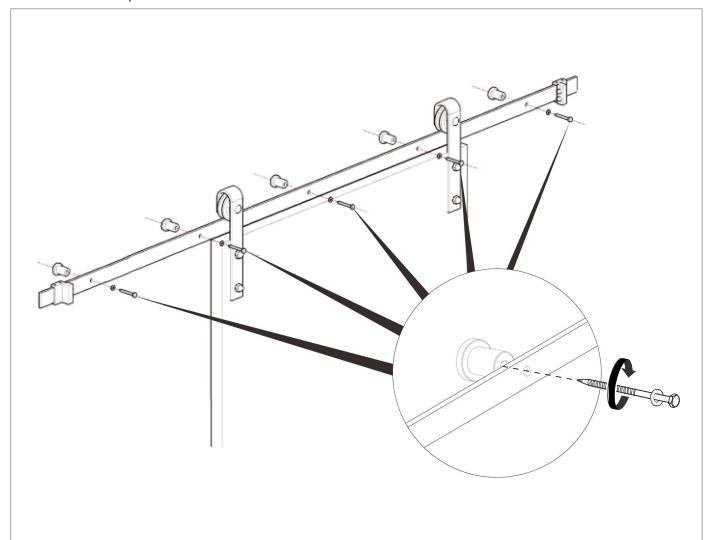
Install the anchor to holes on the concrete wall first, then insert lag bolt to wall spacer and anchor, and take care to install correctly, securing with a wrench.



DRYWALL Track Installation (B)

When installing into the wall, insert using the provided wall screws. Align each spacer to the track holes, inserting spacers and screws (with washers), securing with a wrench.

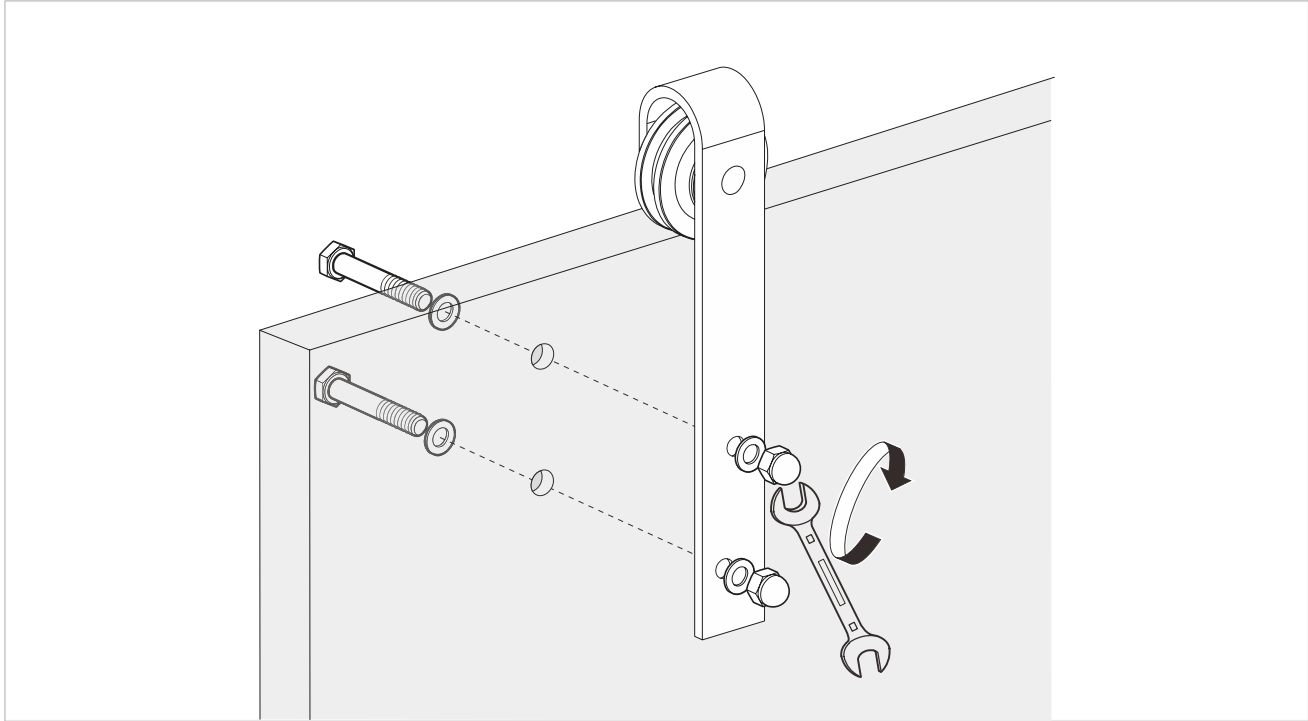
Note: It would be preferable to screw the screws into the wooden frame inside the drywall.



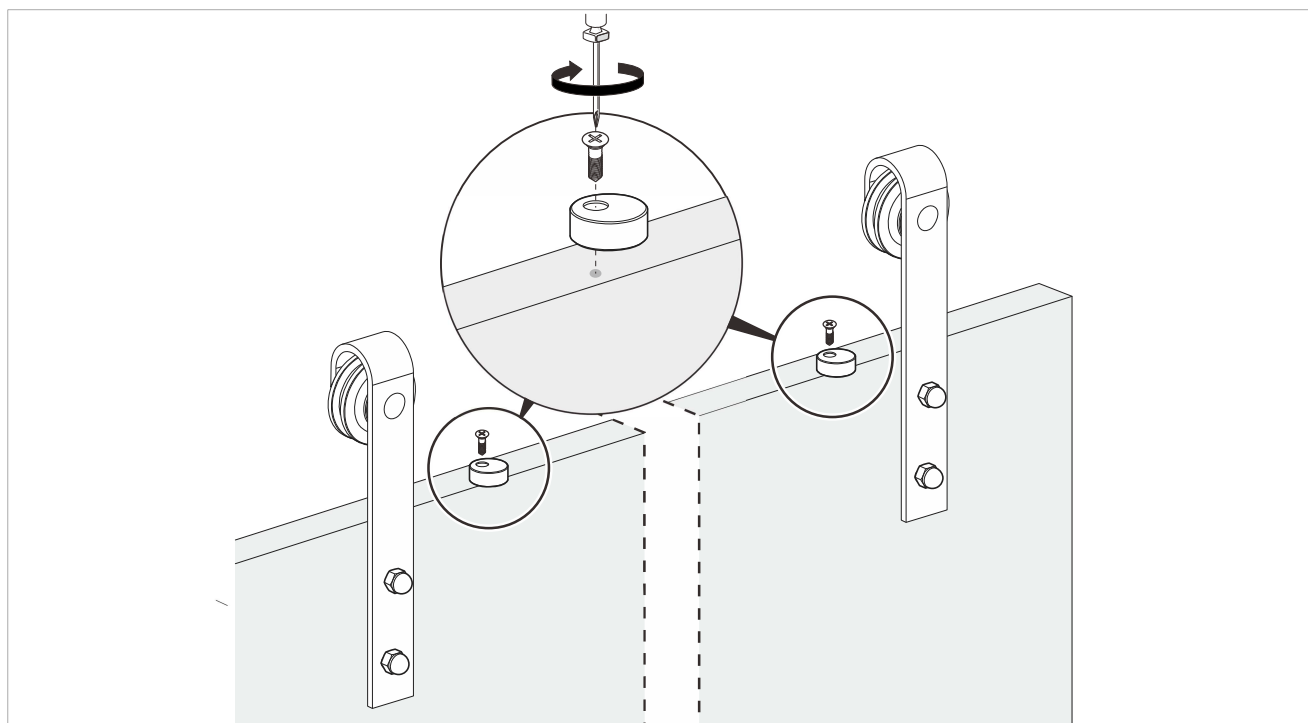
Step 3

Door Preparation - Strap and Anti-jump block

Your Barn Door arrives with holes for the hanging straps pre-drilled. Use the included carriage bolts to attach the straps to the door.



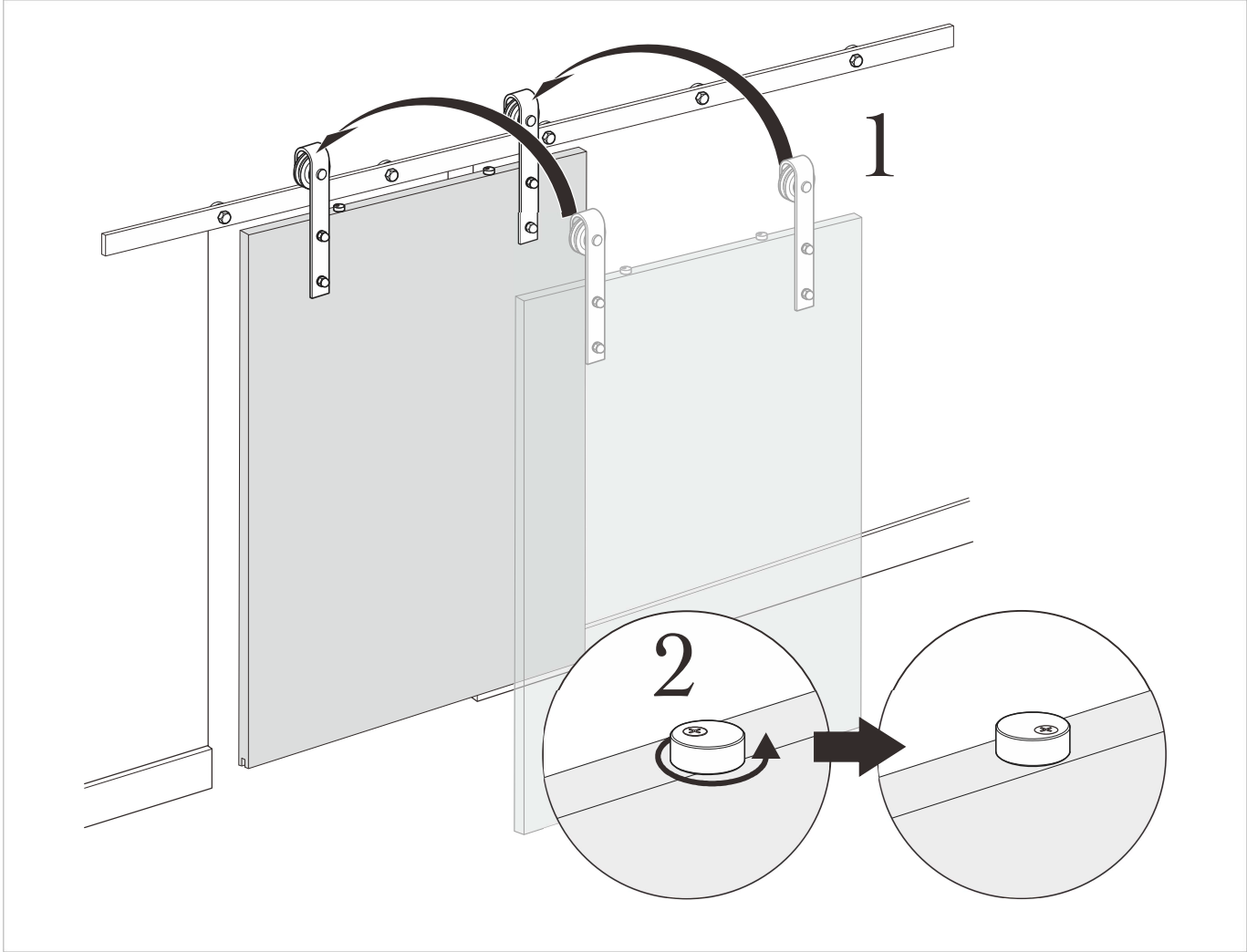
Next, position each anti-jump bumper at least 2" in from the edge of the straps. Tighten slightly to secure in place



Step 4

Hanging the Door

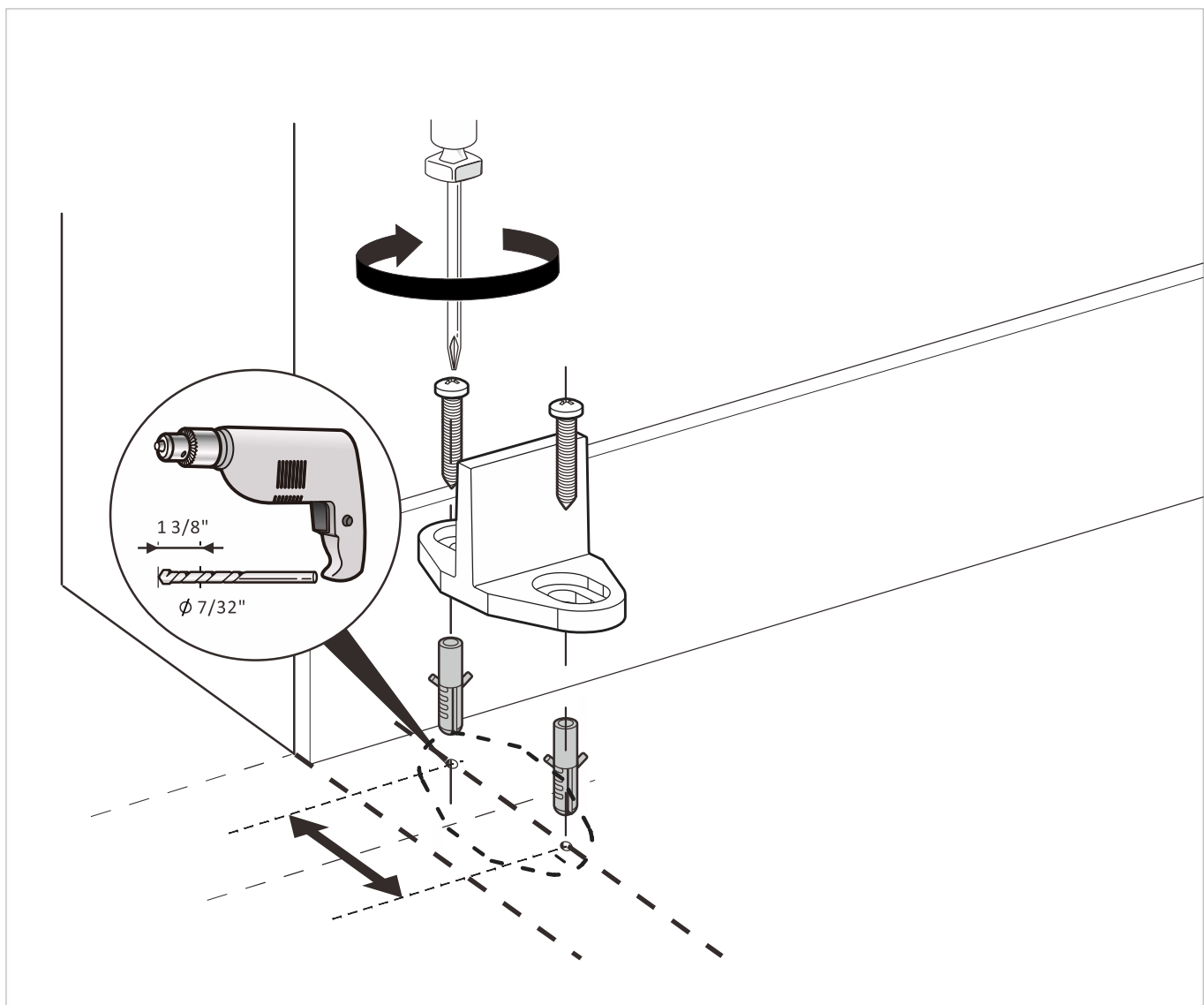
Place the assembled door onto the secured track and rotate each anti-jump bumper so that it provides a buffer between the track and the door. Test for proper operation by sliding the door side-to-side.



Step 5

Floor-Mounted Door Guide Installation

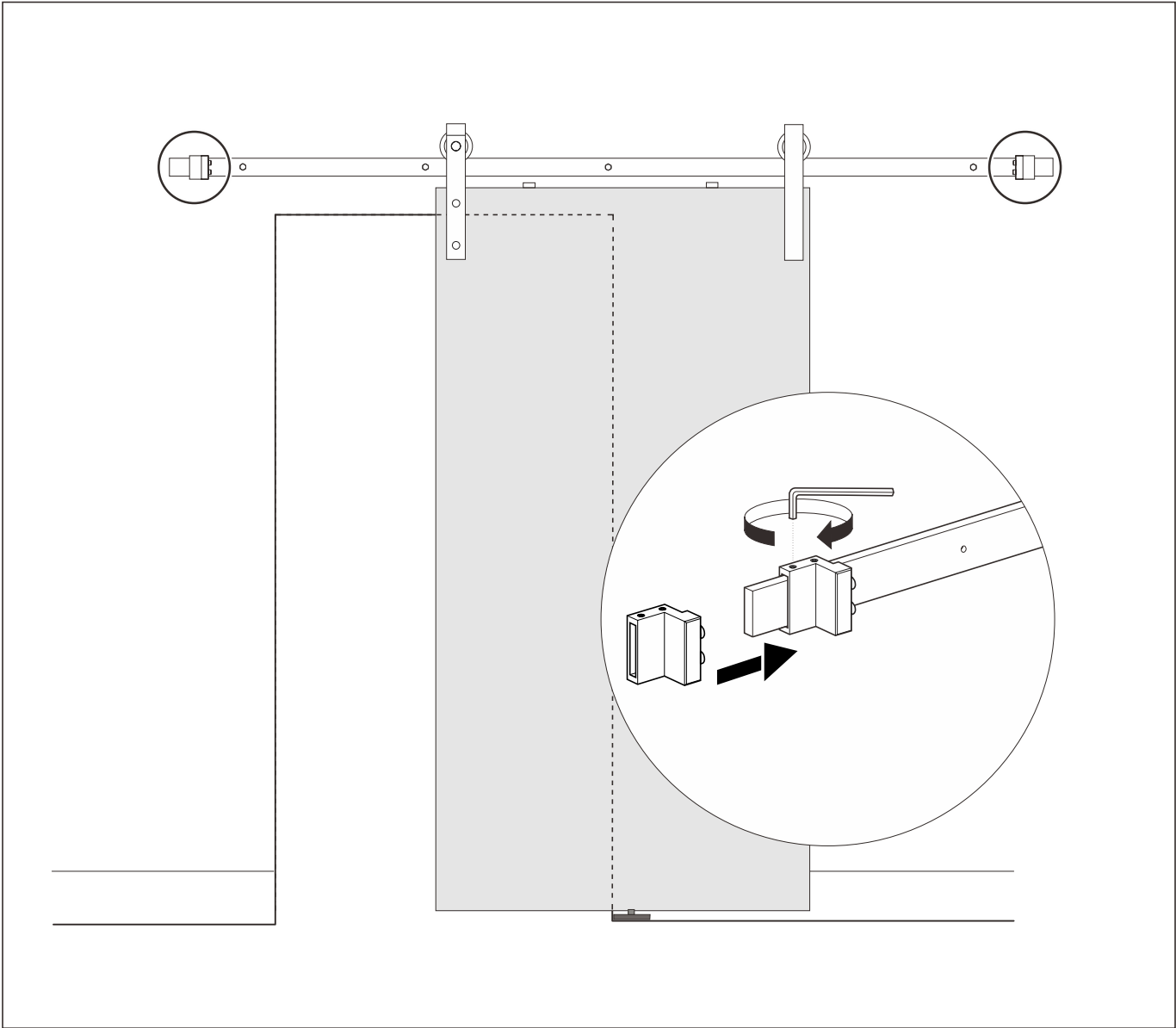
Position the floor-mounted door guide just outside the opening of the door frame. Slide the door side-to-side to test for functionality, then mark the holes with a pencil and pre-drill $\frac{7}{32}$ " holes. If drilling directly into a concrete floor, use the provided anchors.



Step 6

Stopper Installation

Slide the left and right stoppers onto the track and find the ideal location by testing the door in both open and closed positions. Using Allen key, tighten the stoppers into position.

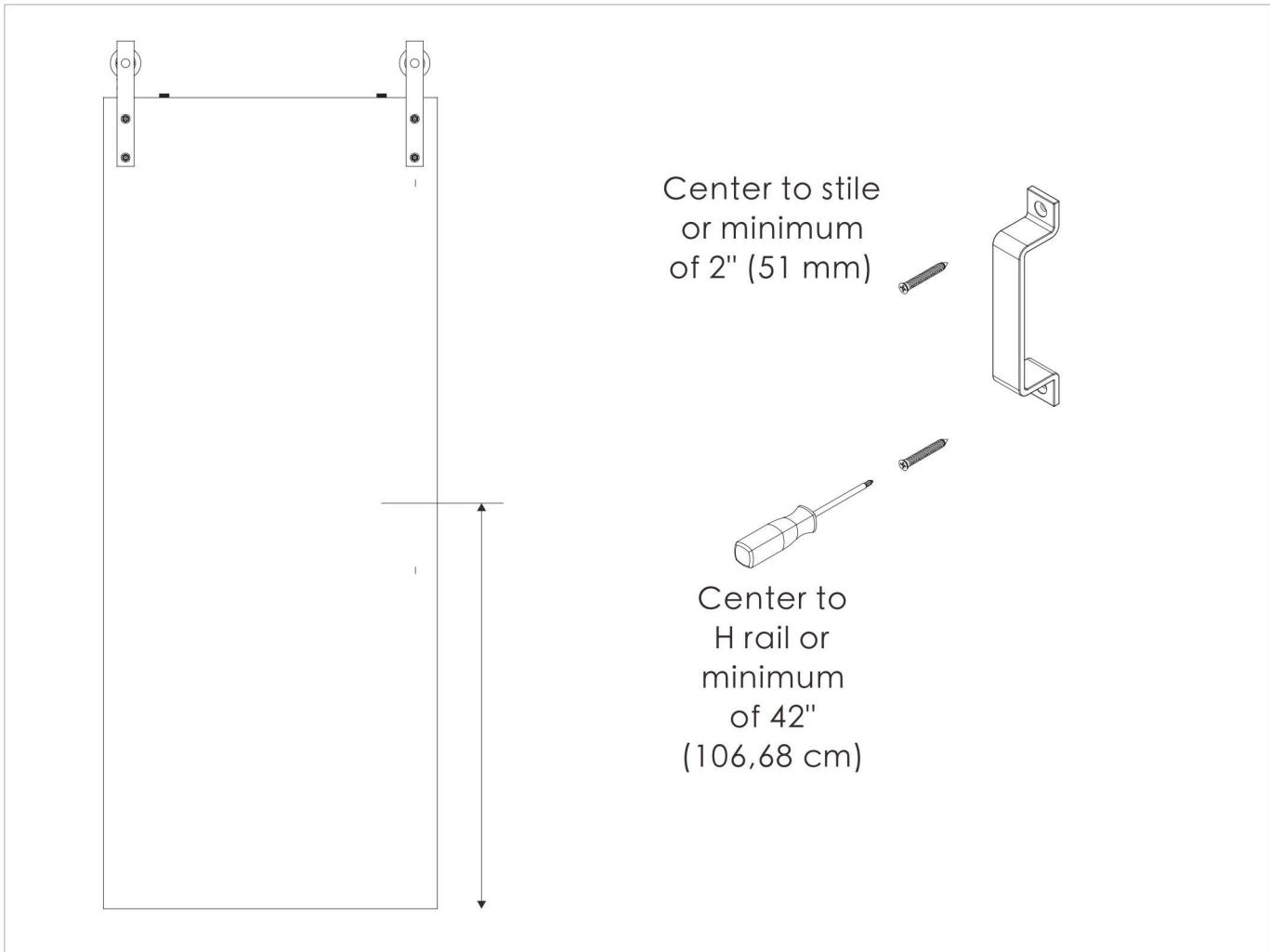


Step 7

Door Handle Installation

Position the handle on the outer, pulling side of the door and measure a minimum of 2" (51 mm) from the outer edge or to the center of the stile (see picture below). Next measure up 42" (106 cm) from the floor, or center using the horizontal slat across the middle of the door to find the handle mounting position.

With your handle centered at your measurement marking, mark both holes and pre-drill pilot holes 1 1/8" deep before installing the handle. For soft wood like Pine, the size of drill bit recommended is 1/8". Secure the handle using a hand screwdriver.



Note: using an electric powered drill to secure screws may damage the