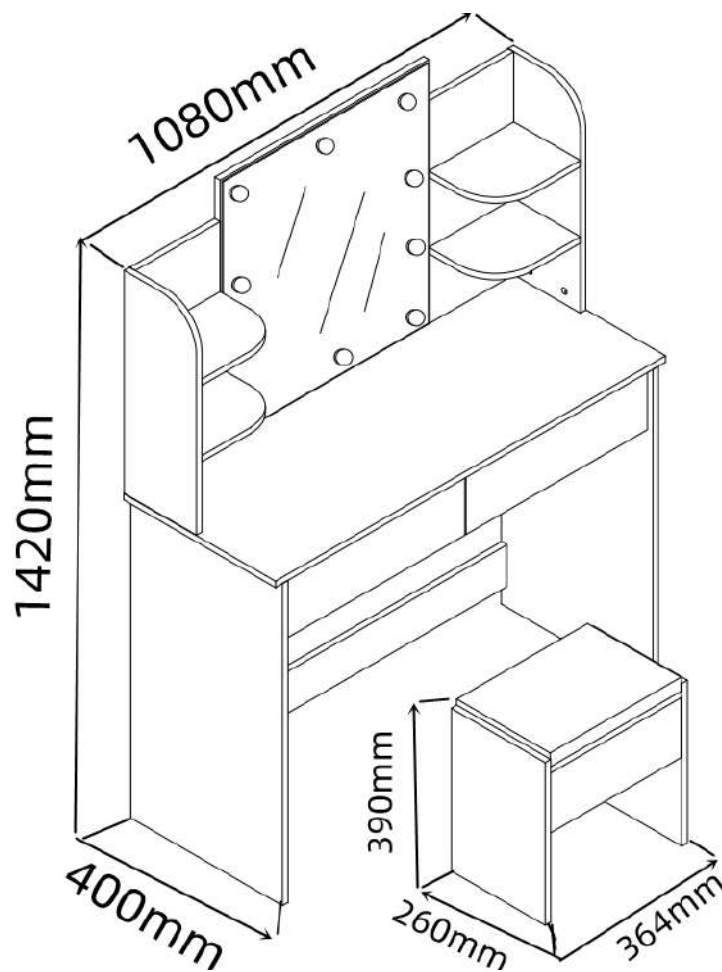



GLOBAL PROCUREMENT AND MARKETING LIMITED

Dressing Table

Assembly Instructions – Please keep for future reference



Dimensions	No. people	Assembly Time	OW #
Width: 1080 cm Depth: 40cm Height: 142cm		50 mins (approx.)	

Important – Please read these instructions fully before starting assembly

Safety and Care Advice

Important – Please read these instructions fully before starting assembly

- Check you have all the components and tools listed on pages 4 and 5.
- Remove all fittings from the plastic bags and separate them into their groups.
- Keep children and animals away from the work area, small parts could choke if swallowed.
- Make sure you have enough space to lay out the parts before starting.
- Do not stand or put weight on the product, this could cause damage.
- Assemble the item as close to its final position (in the same room) as possible.
- Assemble on a soft, level surface to avoid damaging the unit or your floor.
- We do not recommend the use of power drill/drivers for inserting screws, as this could damage the unit. Only use hand screwdrivers.
- Dispose of all packaging carefully and responsibly.



Care and Maintenance

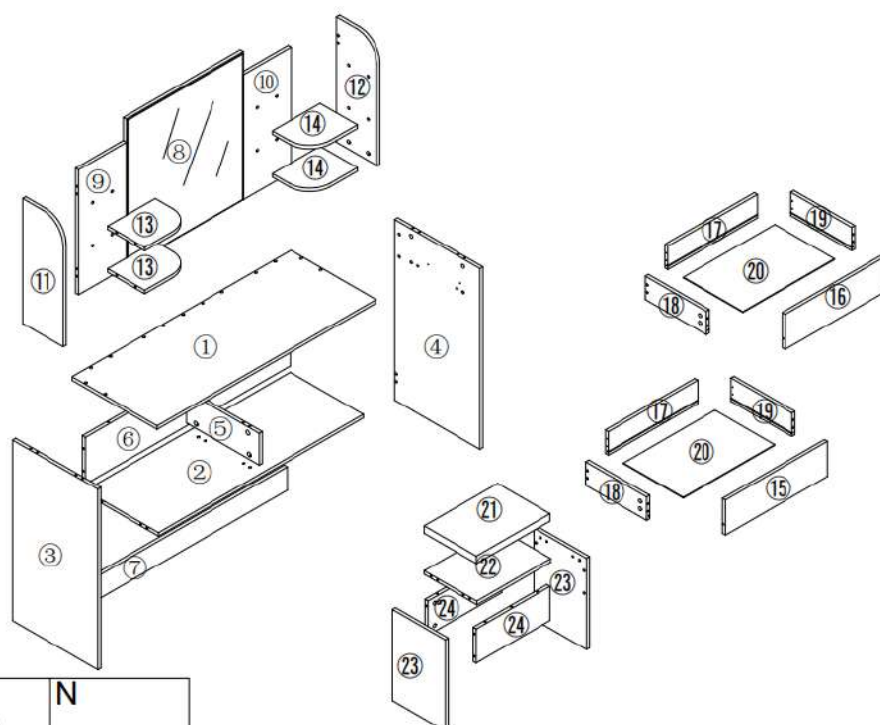
- Only clean using a damp cloth and mild detergent, do not use bleach or abrasive cleaners.
- From time to time check that there are no loose screws on this unit.
- This product should not be discarded with household waste. Take to your local authority waste disposal centre.

If kept outside please ensure in the winter months that the product is correctly covered or put away into a dry environment to prevent corrosion, weathering or damage.

If your product is not designed to be outside, we recommend that it is always kept indoors in a dry environment.

If you are unhappy with the product and wish to return it, please follow the retailer's returns procedure.

Exploded View



K 2PCS	L 4PCS	M 1PCS	N 1PCS								
A 78PCS	B 78PCS	C 8*40 26PCS	D 8*60 6PCS	E 300mm 2PCS	F 300mm 2PCS	G 300mm 2PCS	H 300mm 2PCS	I 3.5*14 32PCS	J 3.5*35 8PCS		

Components - Panels

Please check that you have all the components listed below before constructing your item.



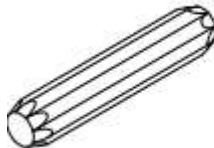
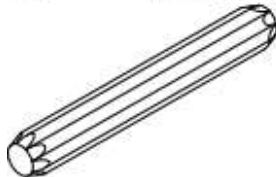




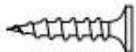
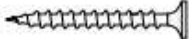
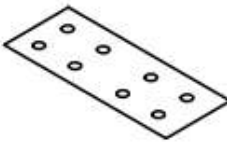

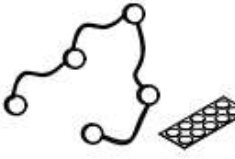

Part No	Description	Qty	Size (mm)	Thickness (mm)
1	TABLE TOP PANEL	1	1080*420	15
2	BOTTOM PANEL	1	1010*360	15
3	LEFT SIDE PANEL	1	772*420	15
4	RIGHT SIDE PANEL	1	772*420	15
5	VERTICAL PANEL	1	135*360	15
6	BACK PANEL	1	1010*200	15
7	CONNECTOR PANEL	1	1010*100	15
8	MIRROR PANEL	1	578*633	15
9	LEFT VERTICAL PANEL	1	235*534	15
10	RIGHT VERTICAL PANEL	1	235*534	15
11	TOP LEFT PANEL	1	534*200	15
12	TOP RIGHT PANEL	1	534*200	15
13	LEFT SHELF PANEL	2	235*183	15
14	RIGHT SHELF PANEL	2	235*183	15
15	LEFT DRAWER FACE	1	502*150	15
16	RIGHT DRAWER FACE	1	502*150	3
17	DRAWER STOPPER	2	441.5*100	32
18	LEFT DRAWER PANEL	2	300*100	15
19	RIGHT DRAWER PANEL	2	300*100	15
20	DRAWER BOTTOM PANEL	2	451*294	3
21	PU CUSHION	1	362*258	32
22	STOOL FACE PANEL	1	364*260	15
23	STOOL SIDE PANEL	2	390*260	15
24	STOOL CONNECTOR	2	364*146	15

Important – Please read these instructions fully before starting assembly

Components - Fixings

Please check that you have all the components listed below before constructing your item.

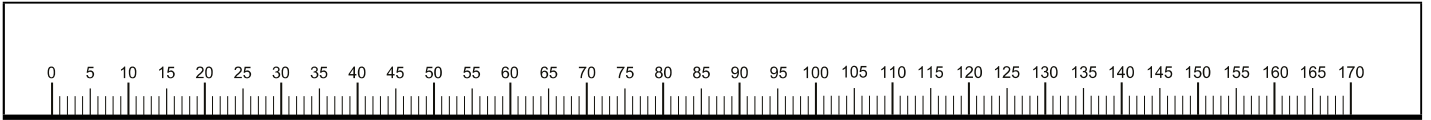
Note: The quantities below are the correct amount to complete the assembly. In some cases more fittings may be supplied than are required.

(A))  78PCS	(B))  78PCS	(C))  8*40 26PCS	(D))  8*60 6PCS
(E)) 300mm  2PCS	(F)) 300mm  2PCS	(G)) 300mm  2PCS	(H)) 300mm  2PCS
(I)) 3.5*14  32PCS	(J)) 3.5*35  8PCS	(K))  2PCS	(L))  4PCS
(M))  1PCS	(N))  1PCS	(O))	(P))
(Q))	(R))	(S))	(T))
(U))	(V))	(W))	(X))

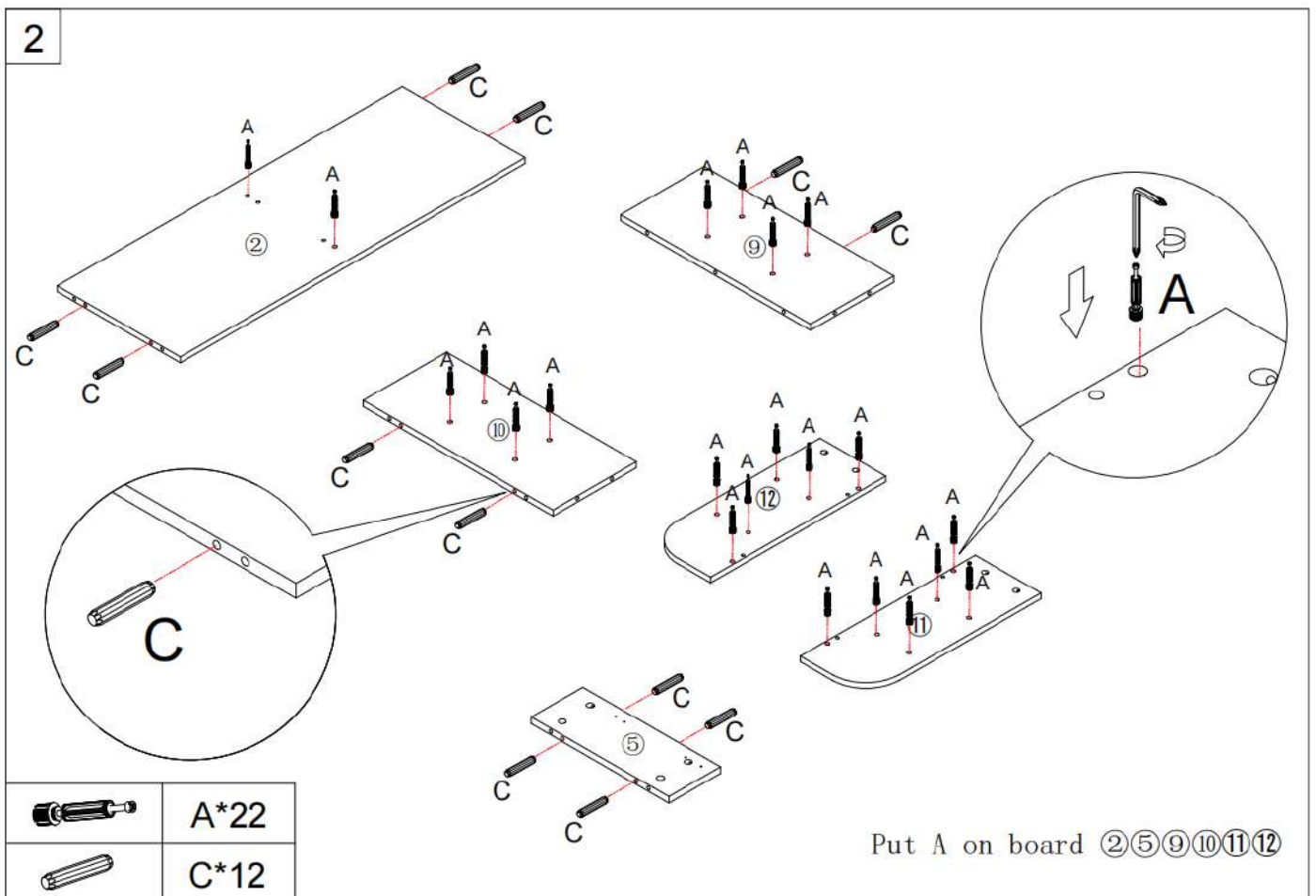
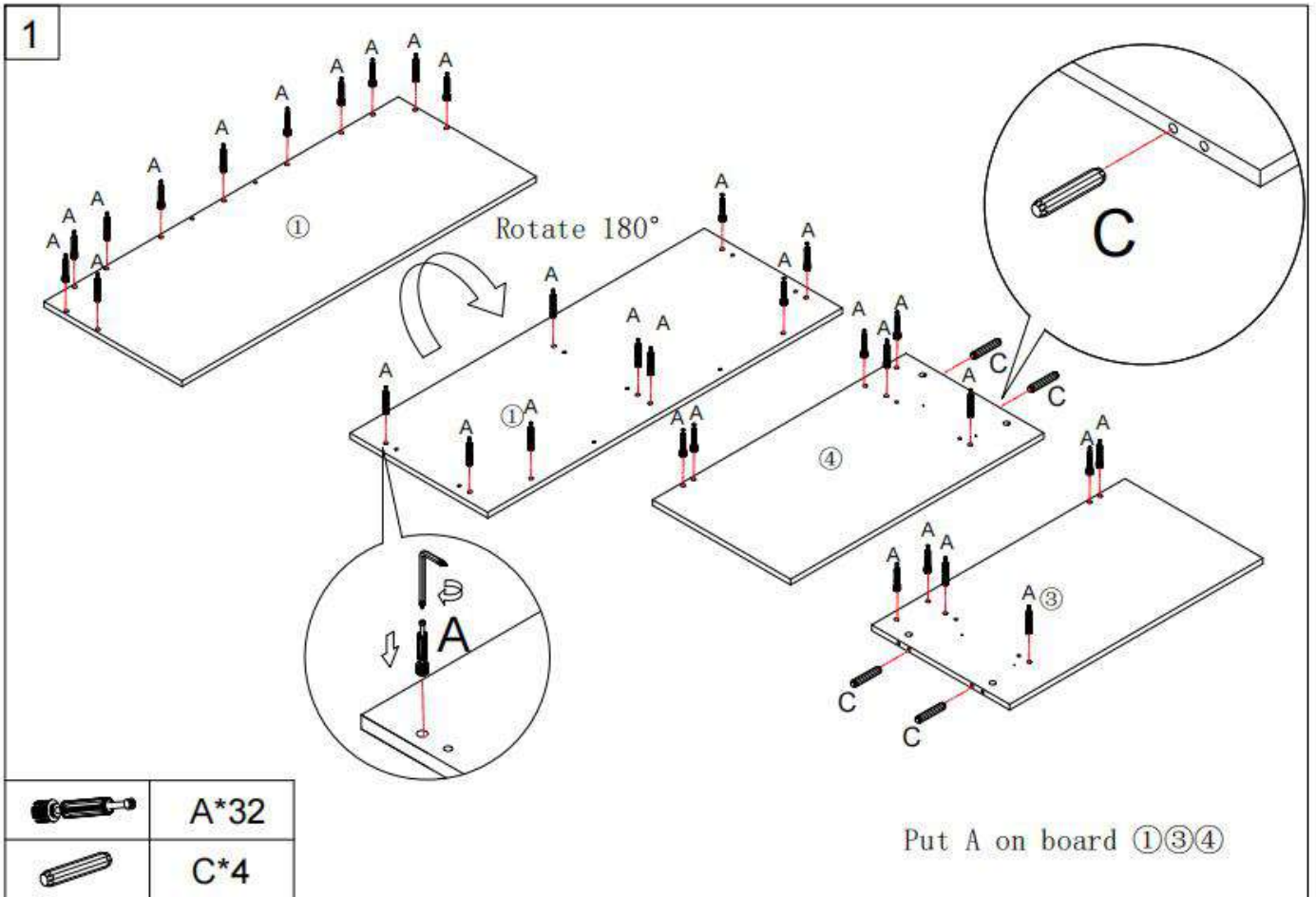
Tools Required



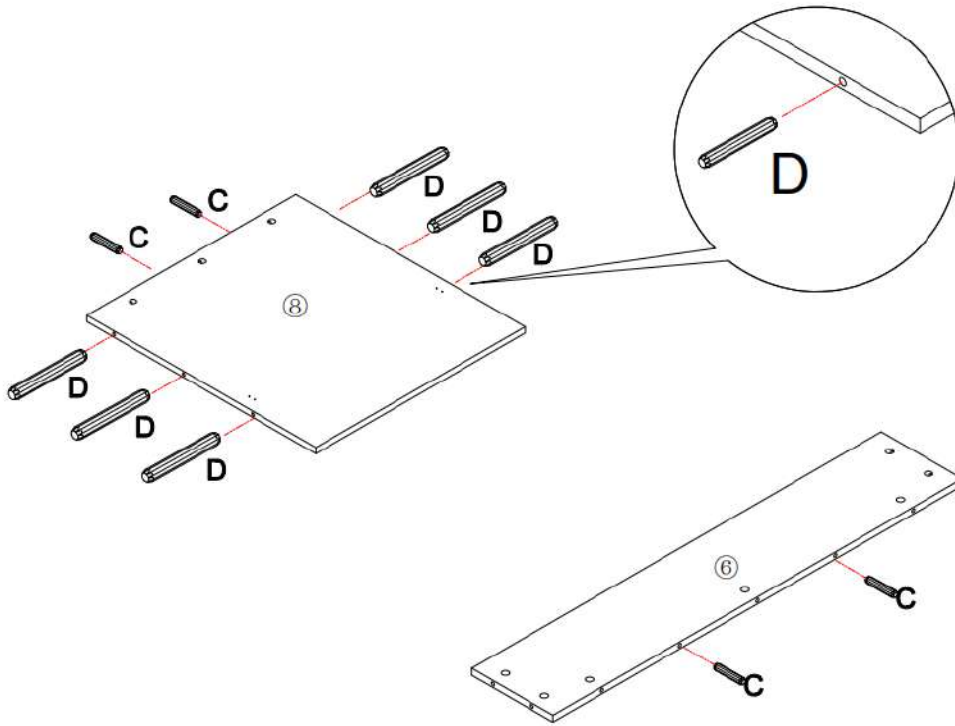
Ruler – Use this to measure your screws (mm)





Important – Please read these instructions fully before starting assembly



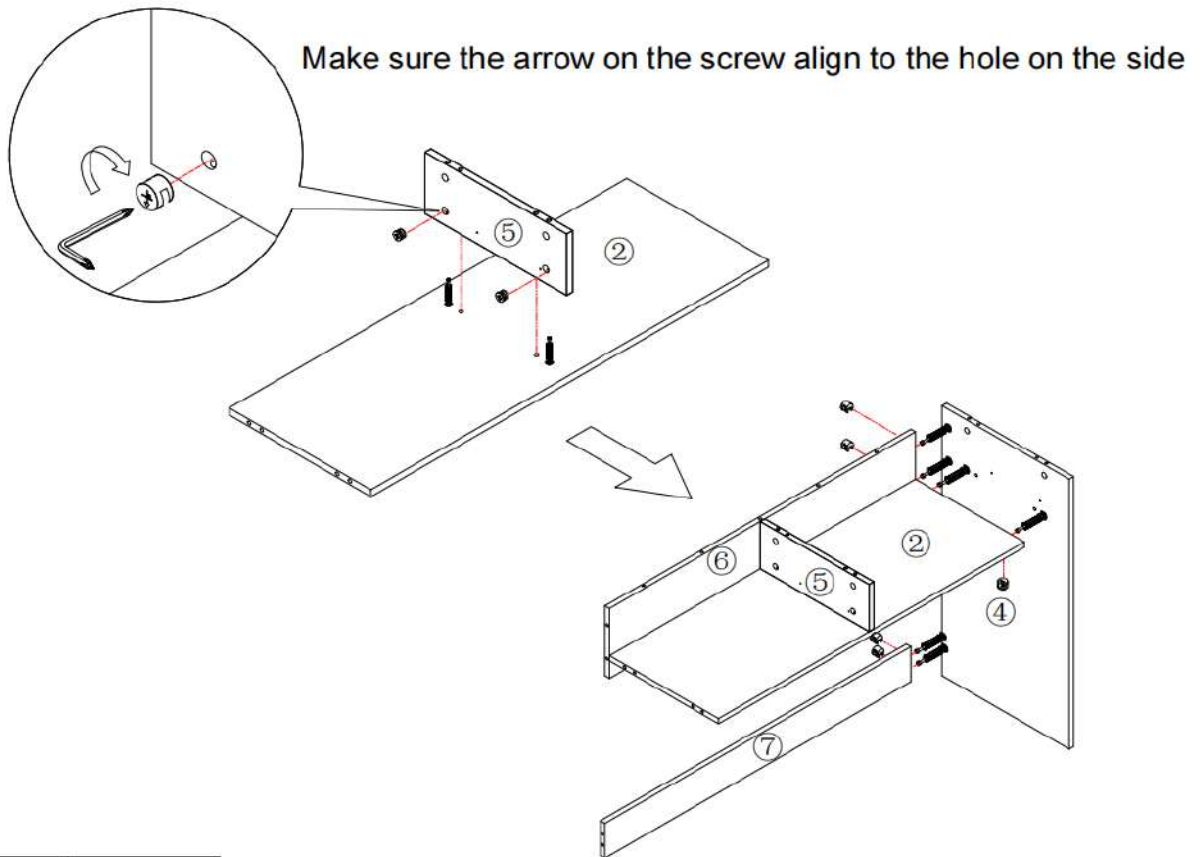
3



	C*4
	D*6

Put C on board ⑥⑧

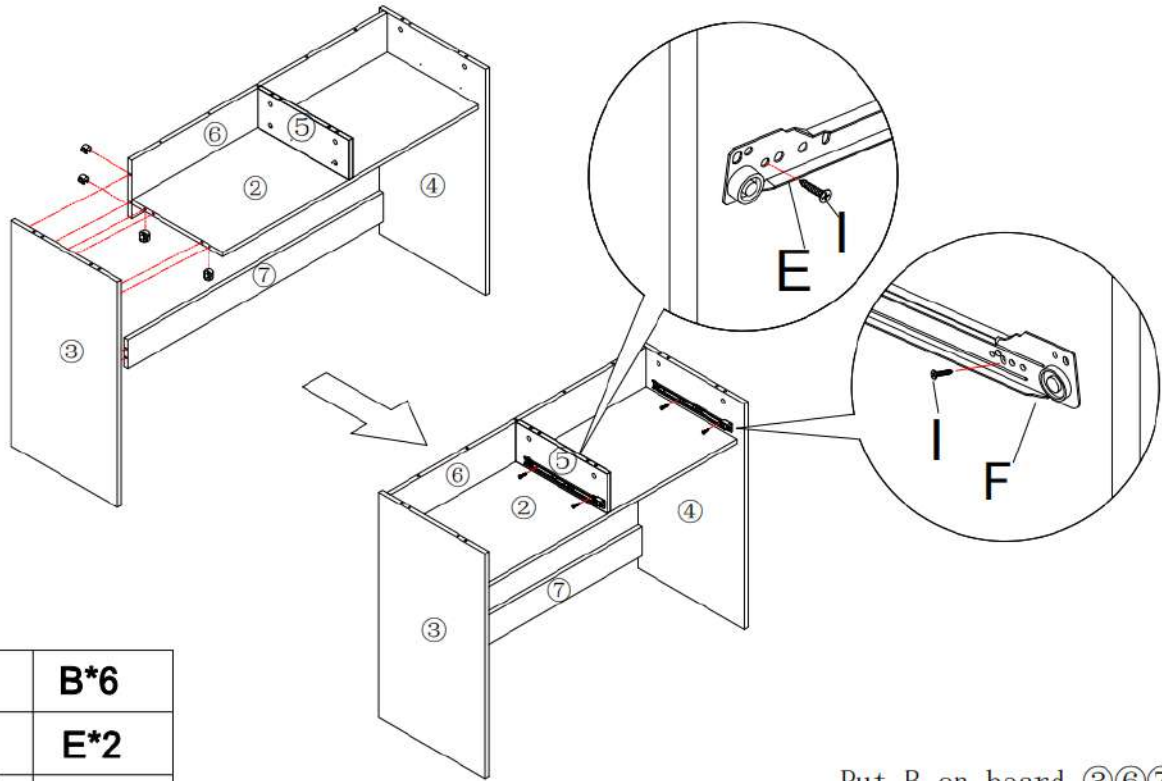
4




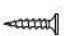


	B*8
---	------------

Put B on board ④⑤⑥⑦

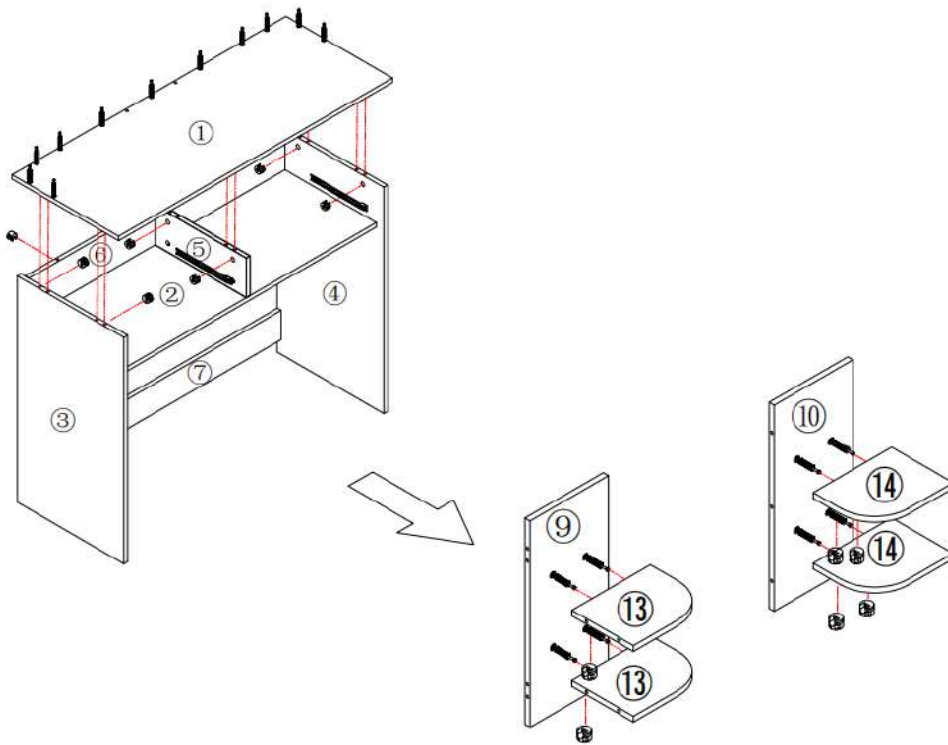
5



	B*6
	E*2
	F*2
	I*8

Put B on board ③⑥⑦
 Put E on board ③⑤
 Put F on board ④⑤

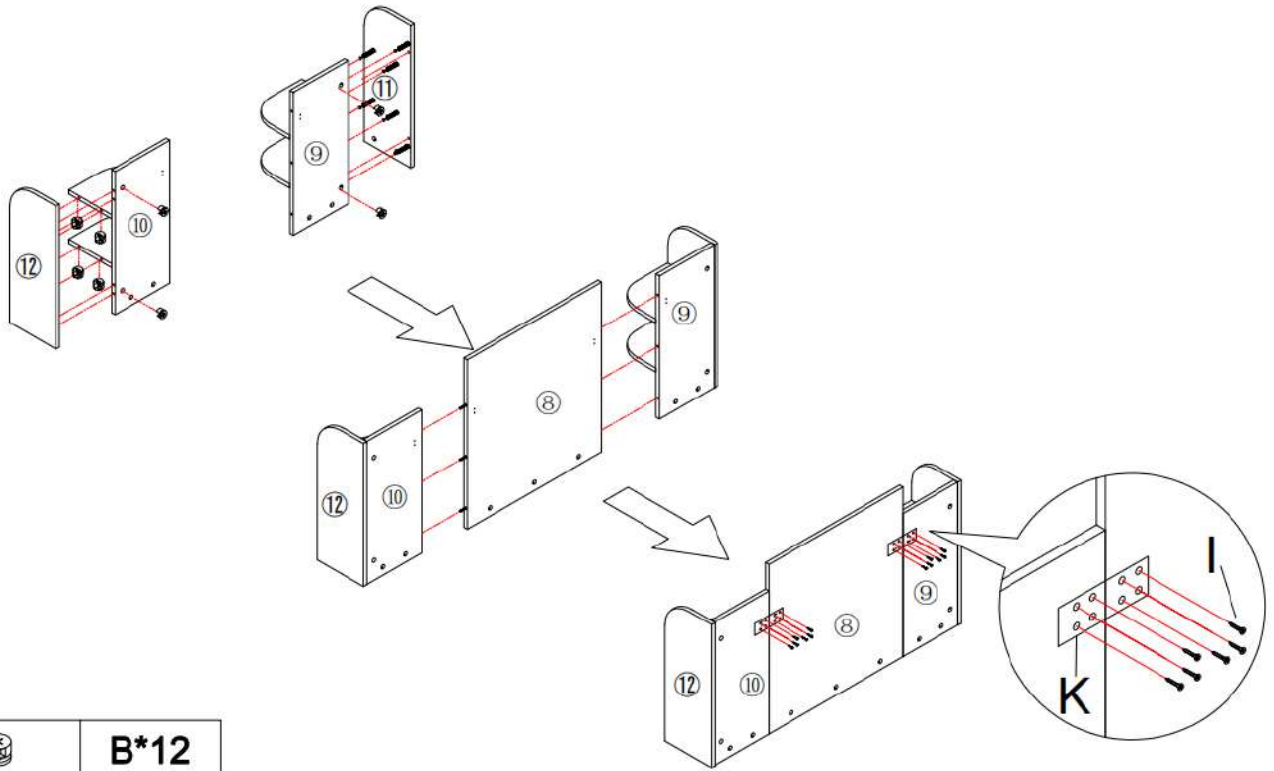
6



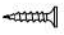


	B*17
---	-------------

Put B on board ③④⑤⑥⑬⑭

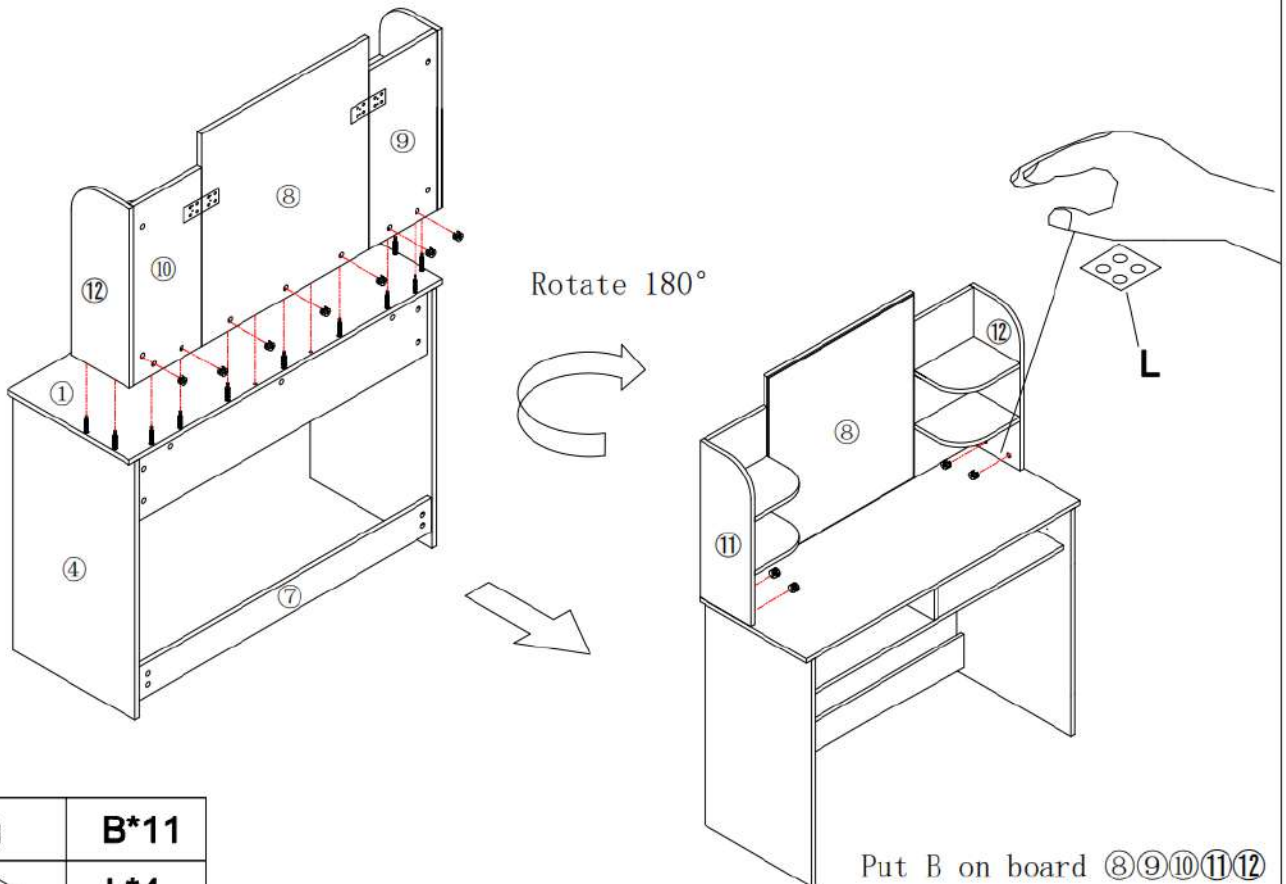
7



	B*12
	K*2
	I*16

Put B on board ③④⑤⑥

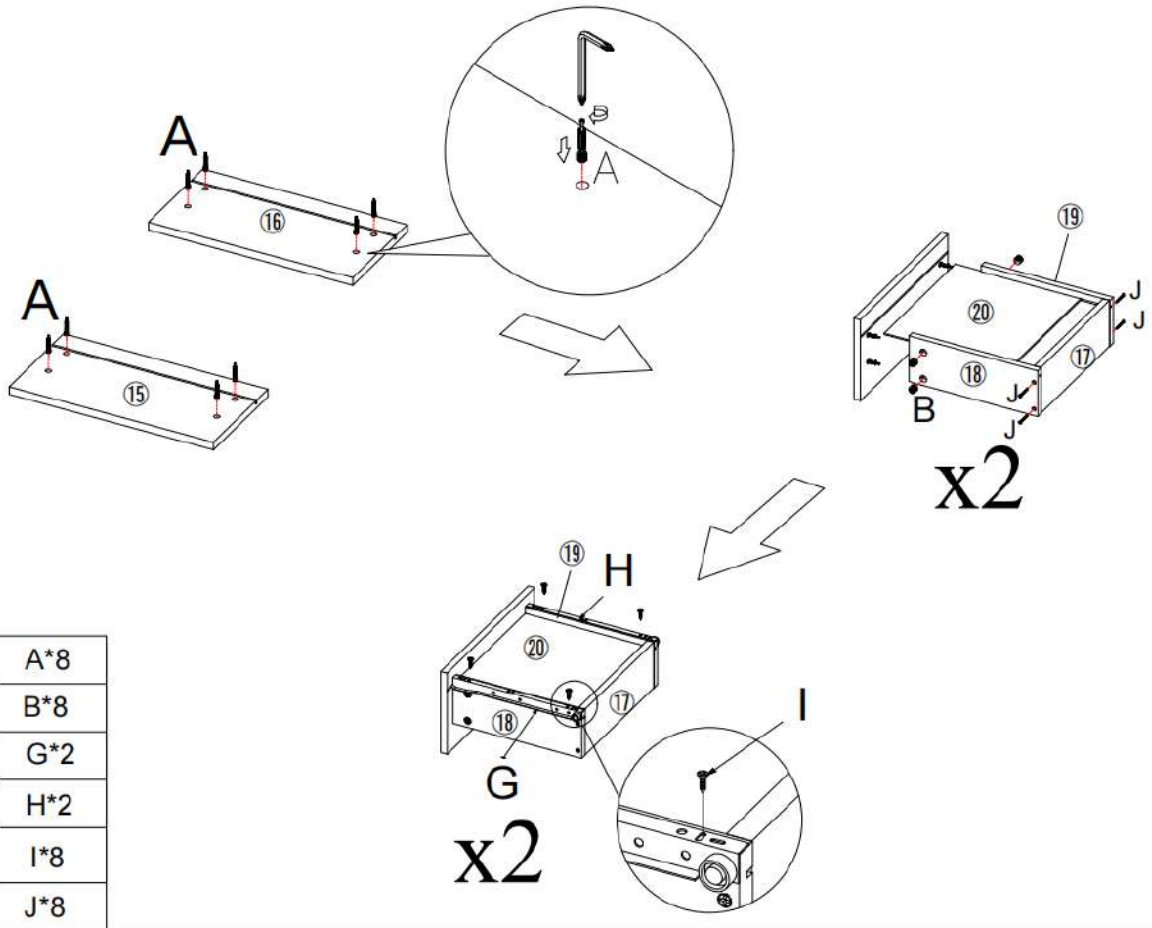
8









	B*11
	L*4

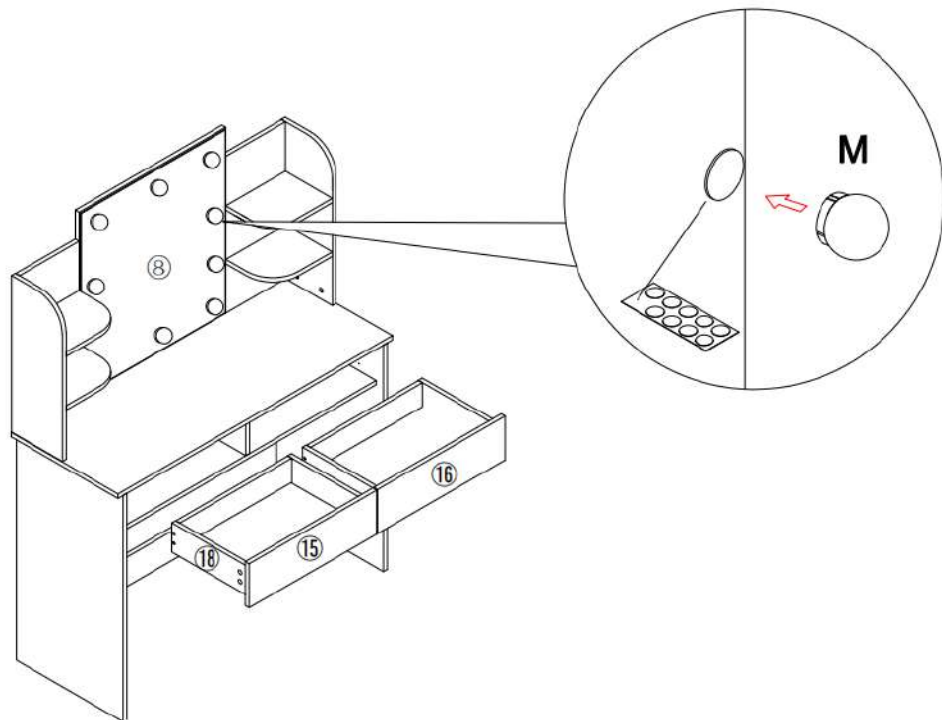
Put B on board ⑧⑨⑩⑪⑫

9



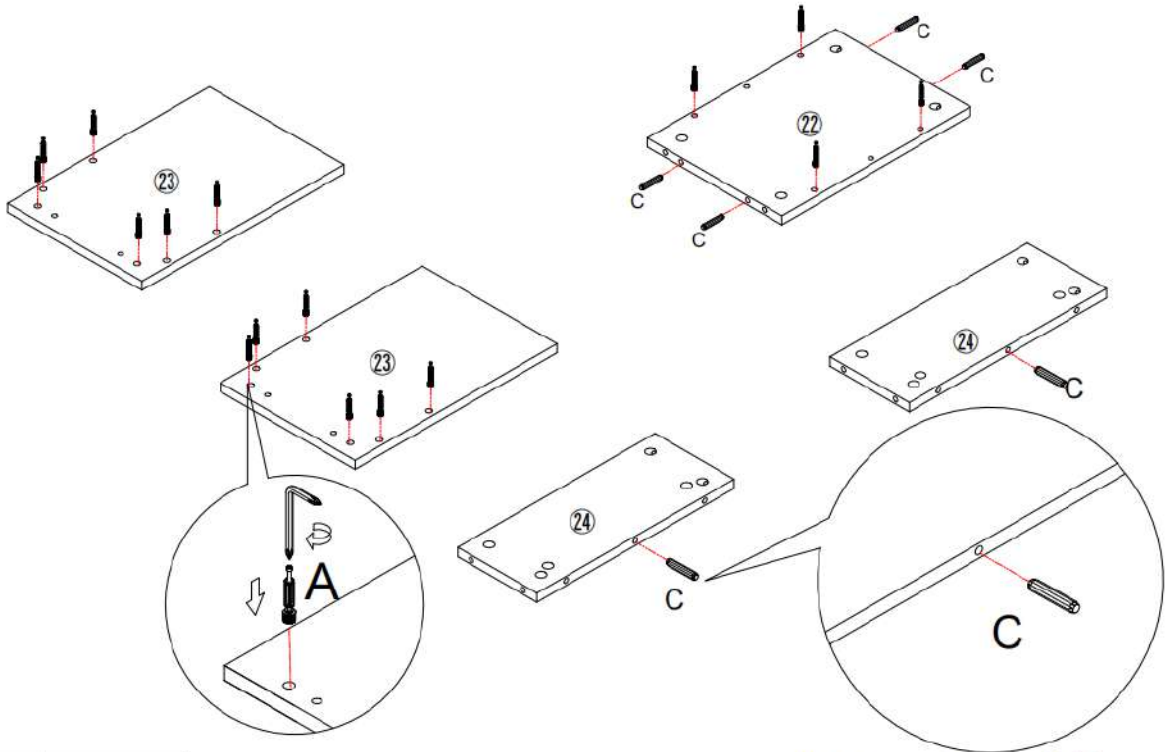
	A*8
	B*8
	G*2
	H*2
	I*8
	J*8

10





	M*1
---	-----

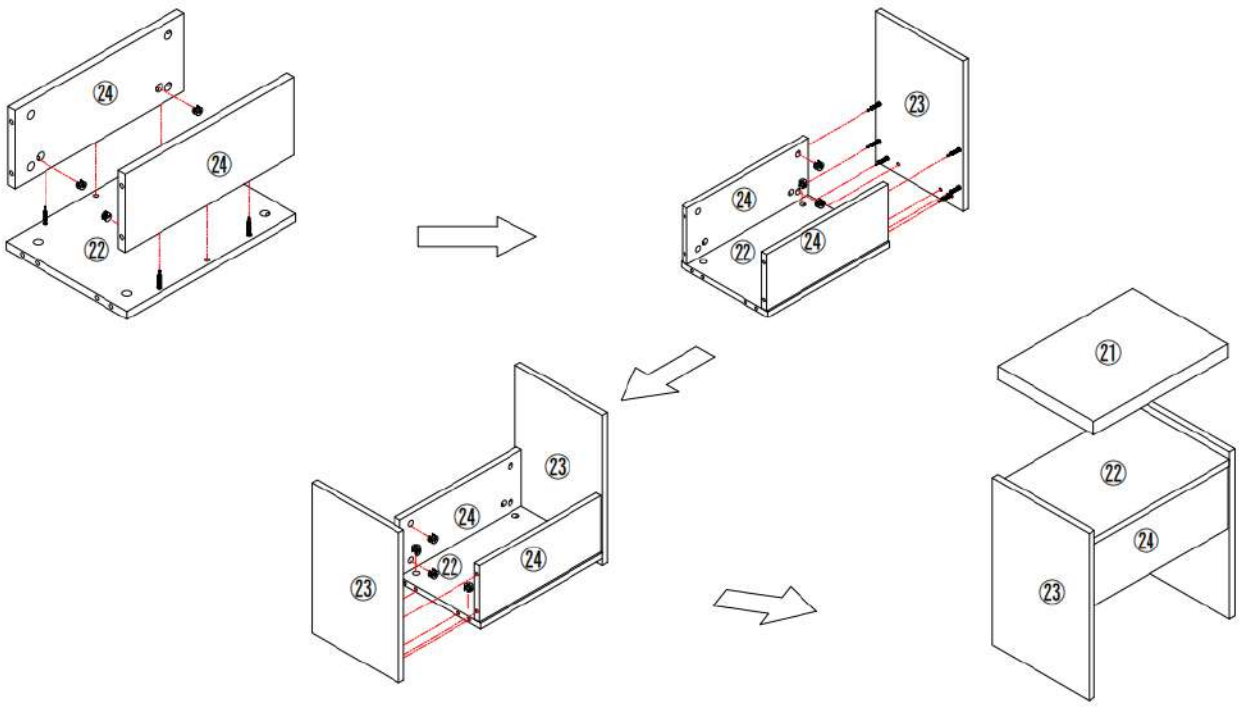
11




Put A on board ②② ②③
Put C on board ②② ②④

	A*16
	C*6

12



Put B on board ②② ②④

	B*16
---	------

