

INSTALLATION INSTRUCTION


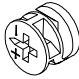
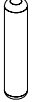
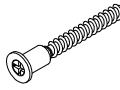


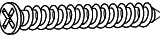

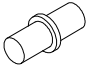


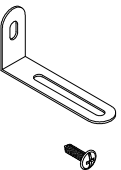
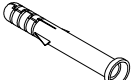
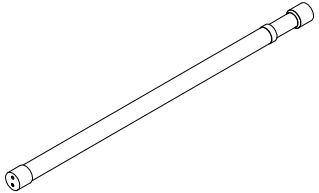
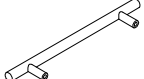

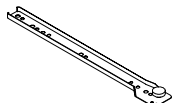
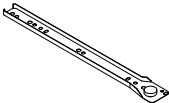
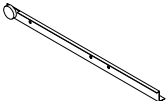
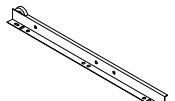
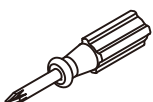
Dimension: 80.8×96.1×15.7inch

Notice:

1. Follow the installation instructions. Please confirm all accessories are preset before installation.
2. Do not fully tighten the screws during initial assembly. Fully tighten screws only once all pieces which are correctly assembled.
3. If you have any problems during installation, refer to two solutions: Follow the installation video tutorial on the product page or contact customer service.

Return Policy:

We believe you will absolutely love your new item. But if for some reason you want to return, please contact us directly before you decide to return your product. Our customer service team can answer most concerns and assist you with any questions you may have about your new item.

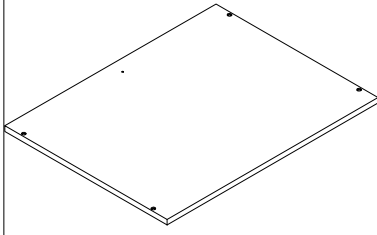
		 Ø6*30	 M5*40	 M3*12	
A×12	B×22	C×10	D×32	E×38	F×4
 M3.5*30	 Ø20				 M3.5*10
G×12	H×54	I×8	J×6	K×10	L×1
 M4*35			 		
M×9	N×4		O×3	CL×3	CR×3
					
DL×3	DR×3	TOOL			


5PCS

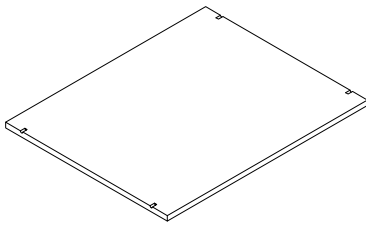
Spare parts for Pre-inserted Nuts, which are used for fastening "A" screw in case of missing inserting nuts by workers.

Accessories List

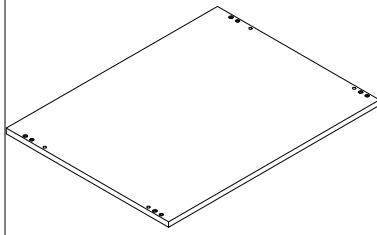
1



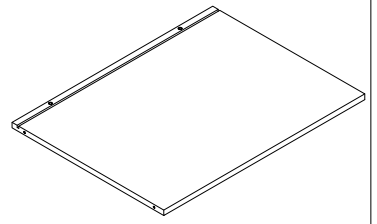
2



3

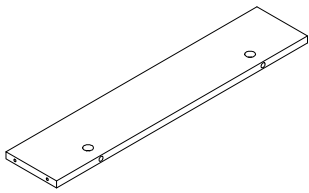


4

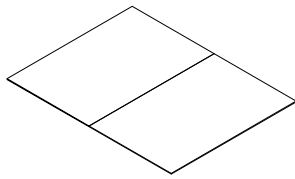


2 PCS

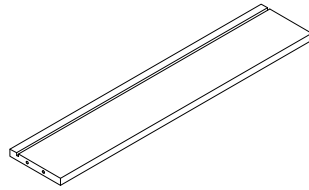
5



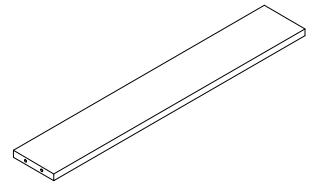
6



7

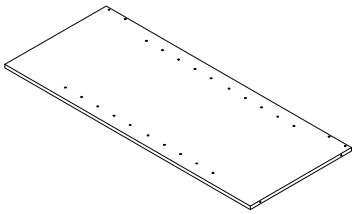


8

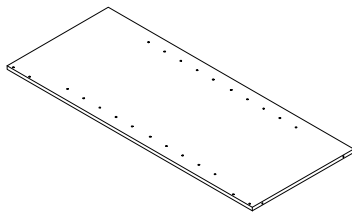


3 PCS

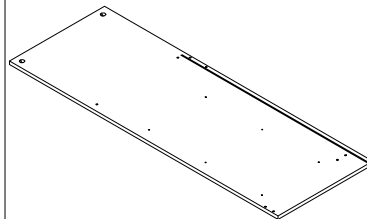
9



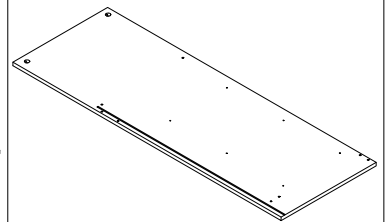
10



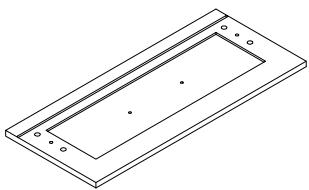
11



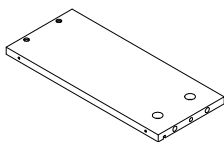
12



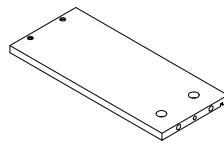
13



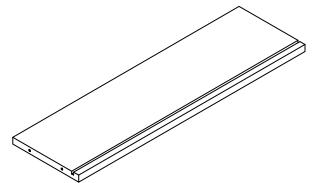
14



15



16



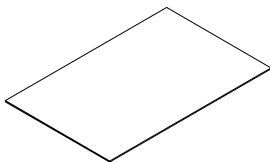
3 PCS

3 PCS

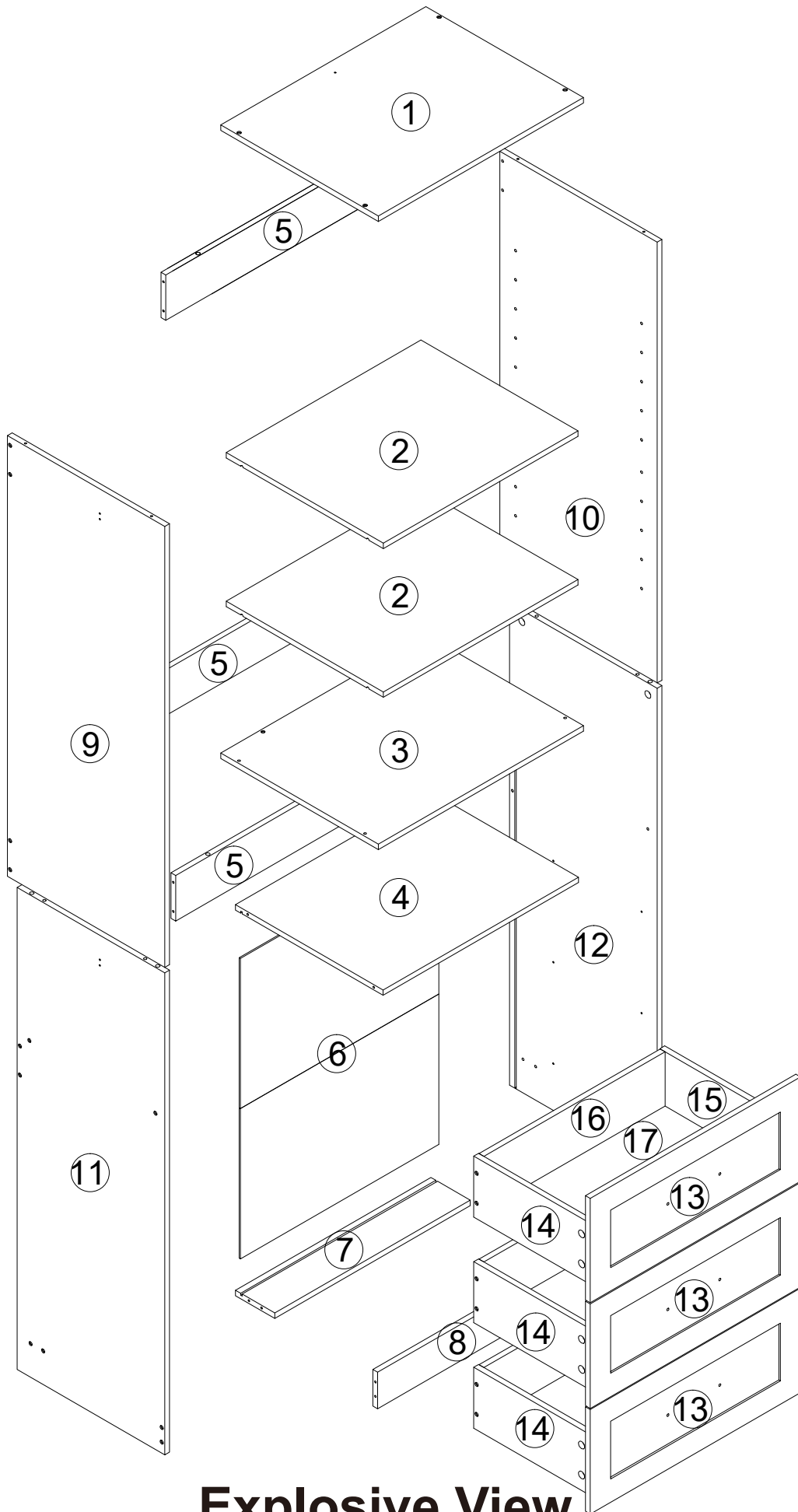
3 PCS

3 PCS

17

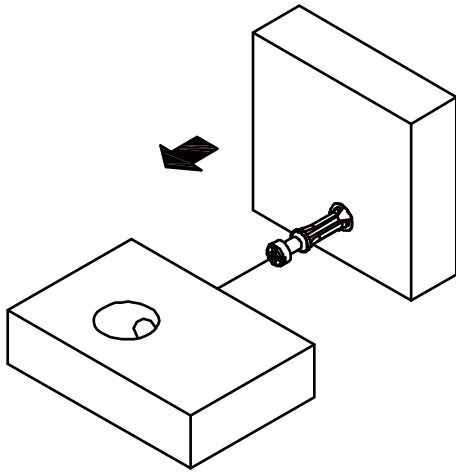


3 PCS

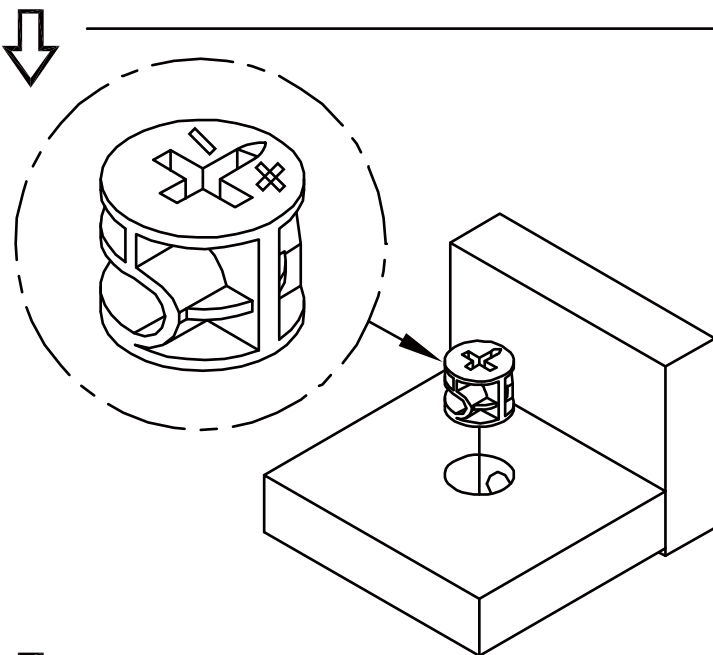


Explosive View

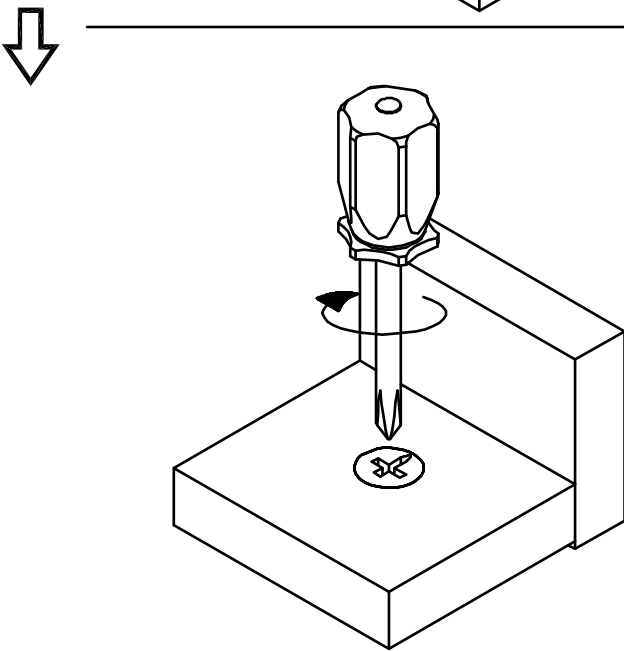
Cam Lock Fastening System



1. Connect the two boards -Insert the long screw "A" into the holes on the other board.

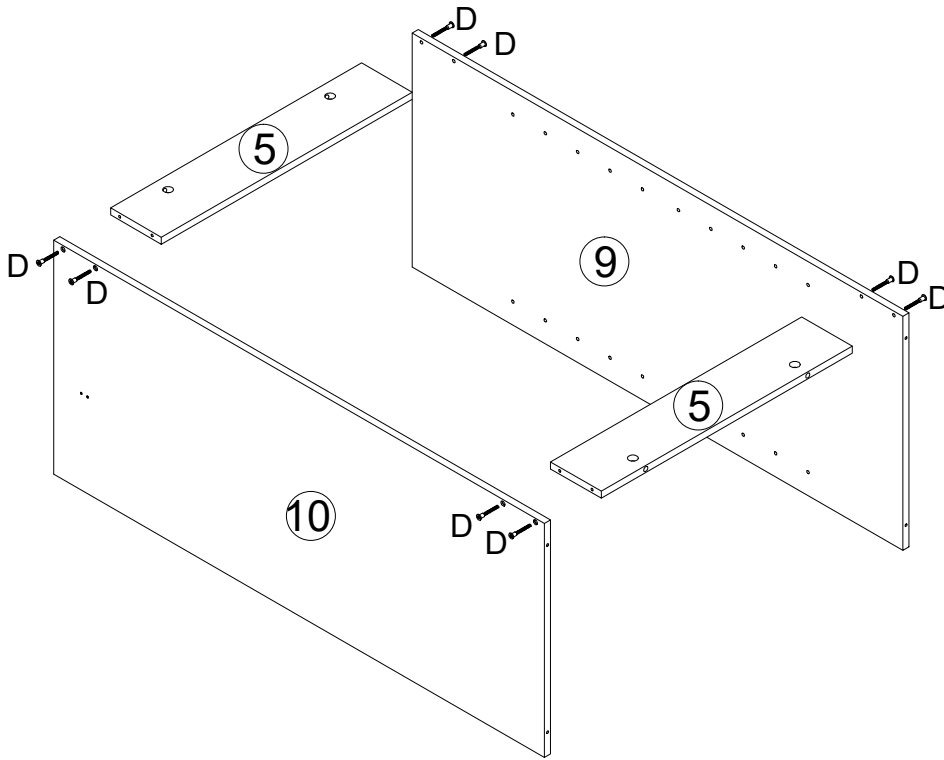


2. You can see the triangle "△" between "△" on hardware "B", insert the "B" as the image shows, please kindly note the direction of "△".



3. Use the tool to lock it.

1

**D**

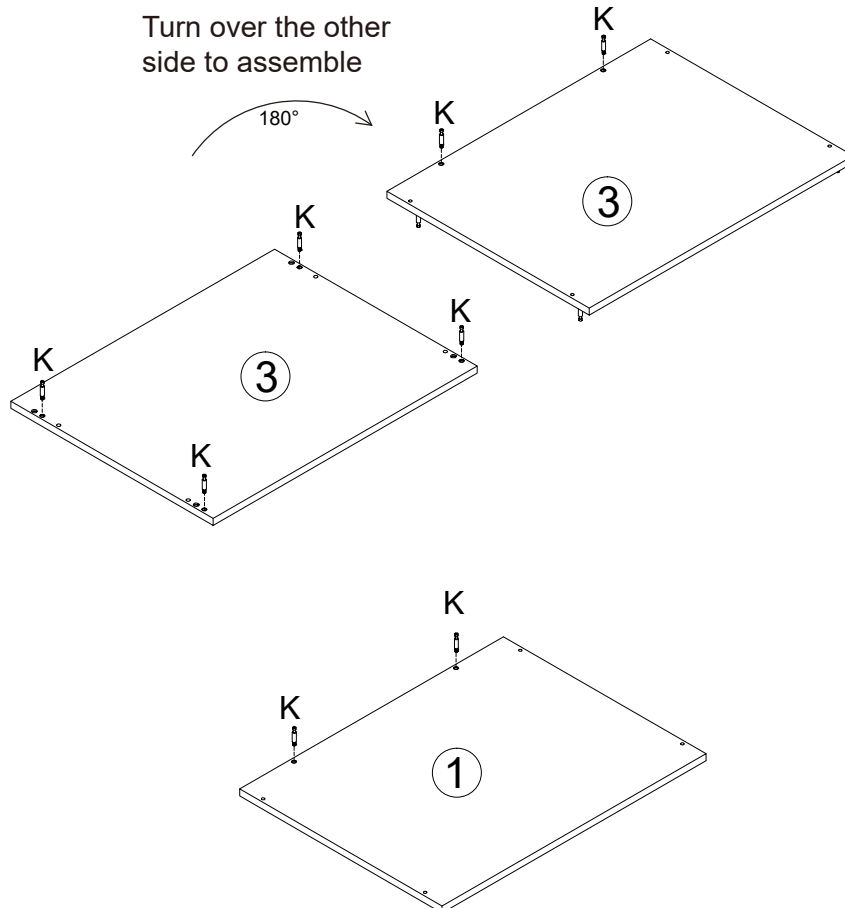
M5*40



8PCS

2

Turn over the other
side to assemble

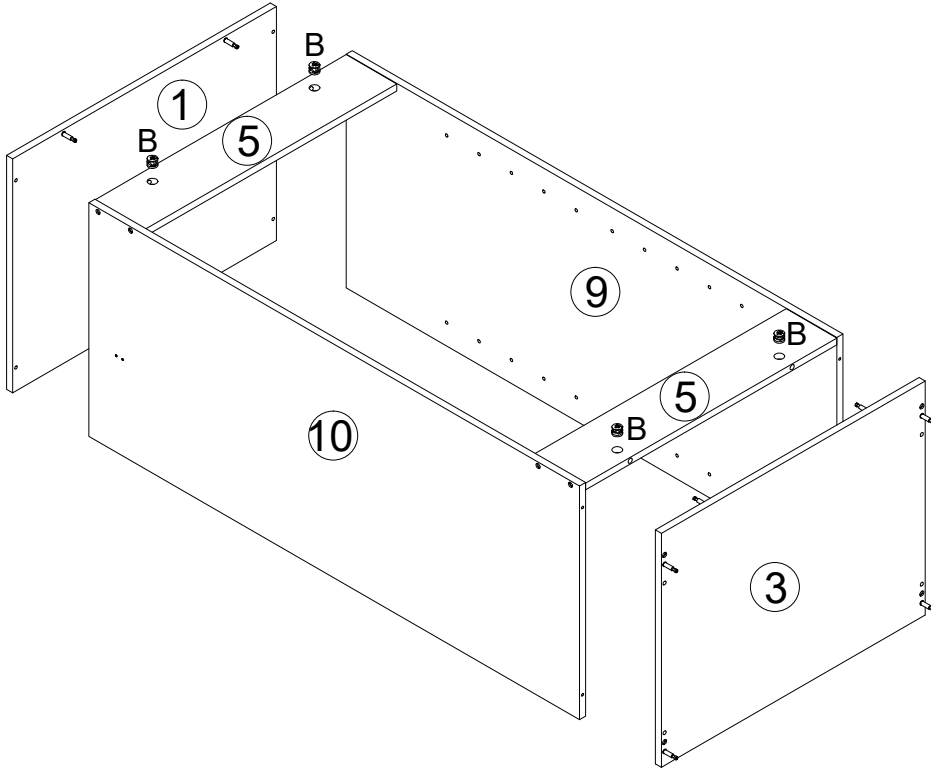
**K**

8PCS

3

B

4PCS



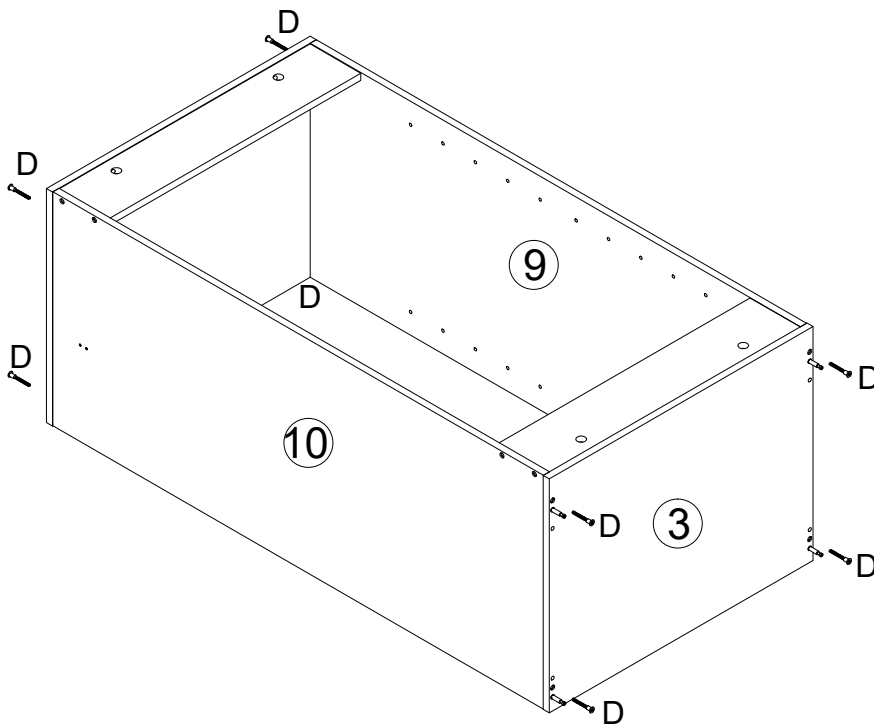
4

D

M5*40



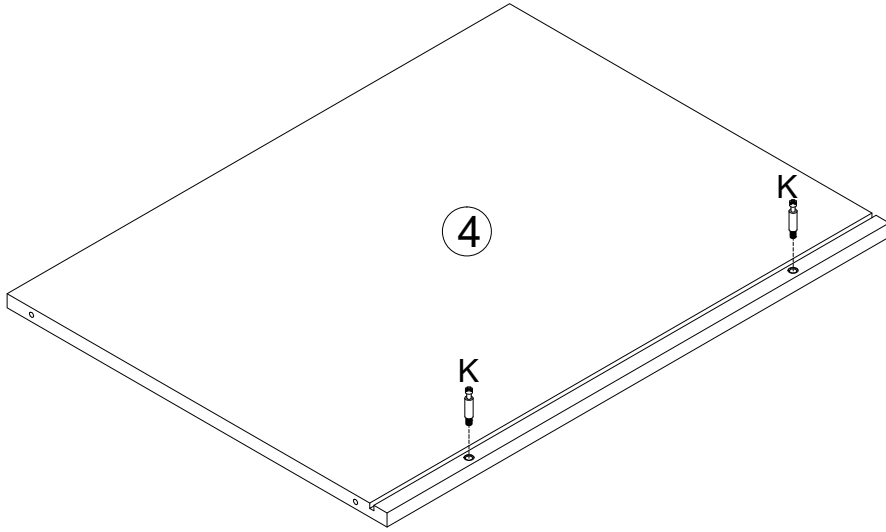
8PCS



5

K

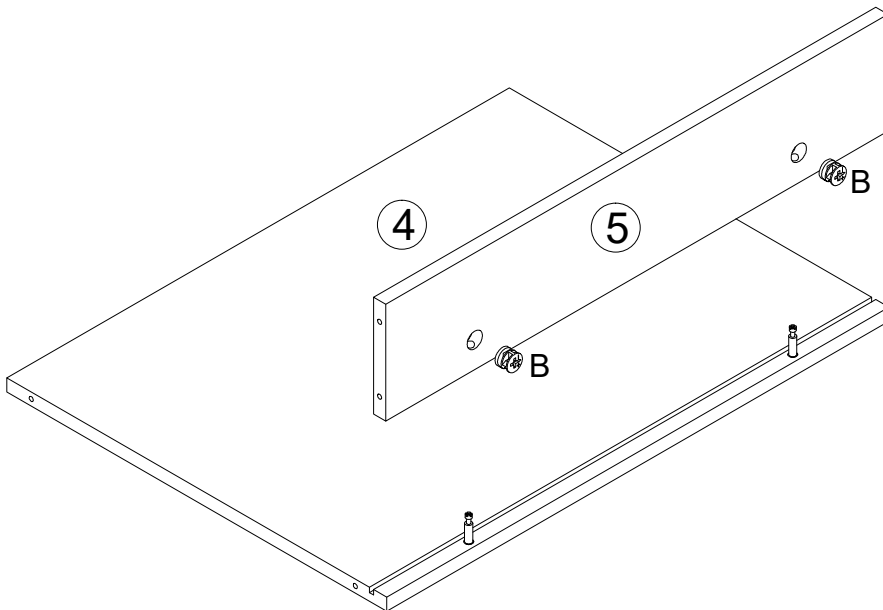
2PCS



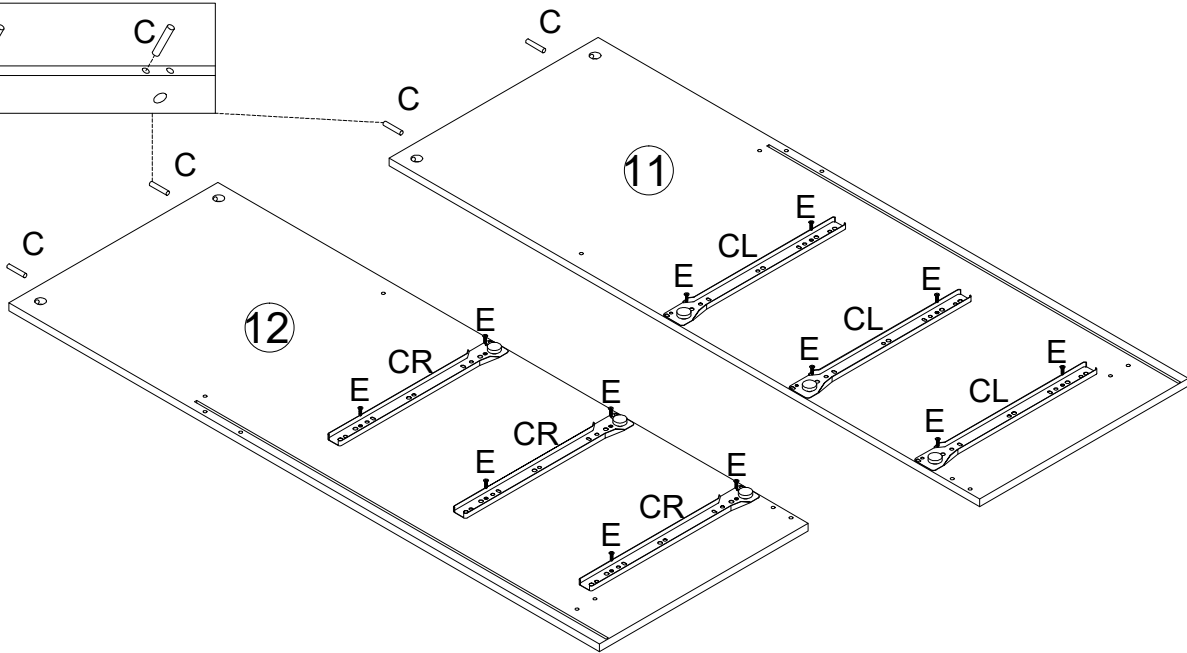
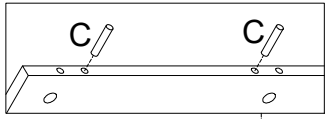
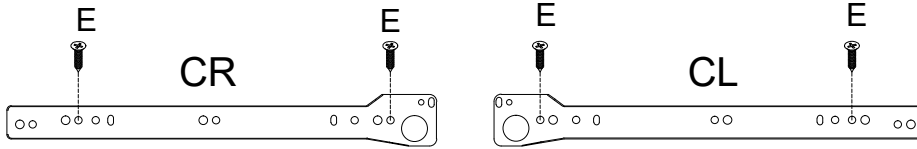
6

B

2PCS



7



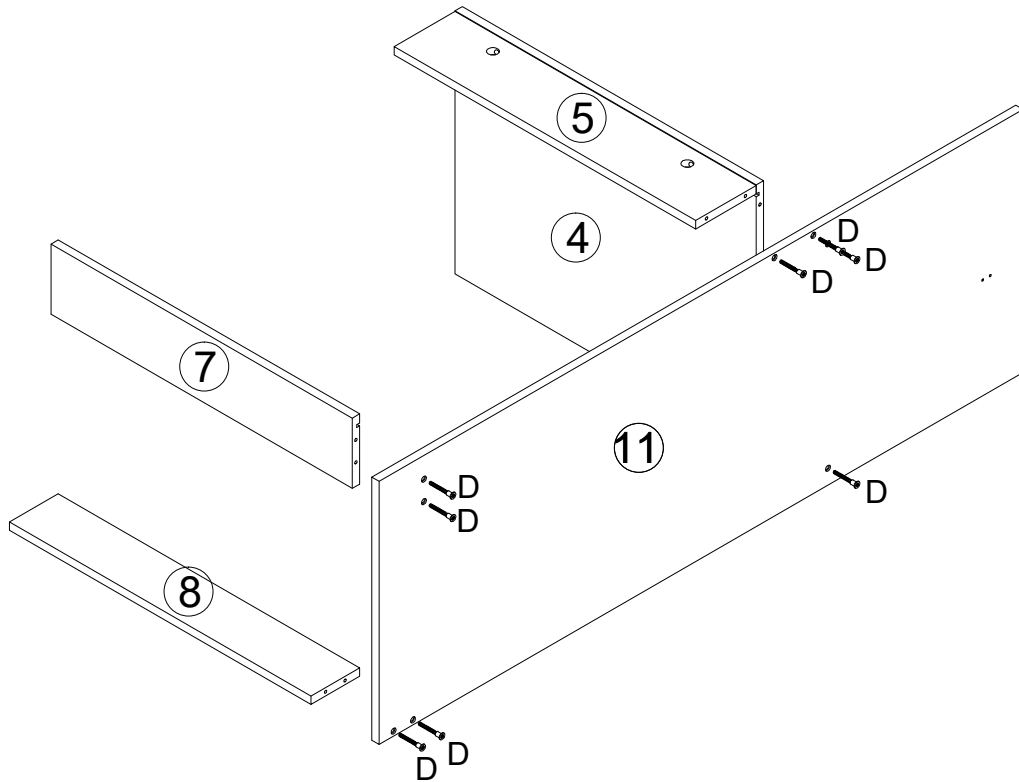
C Ø6*30
4PCS

E M3*12
12PCS

CL
3PCS

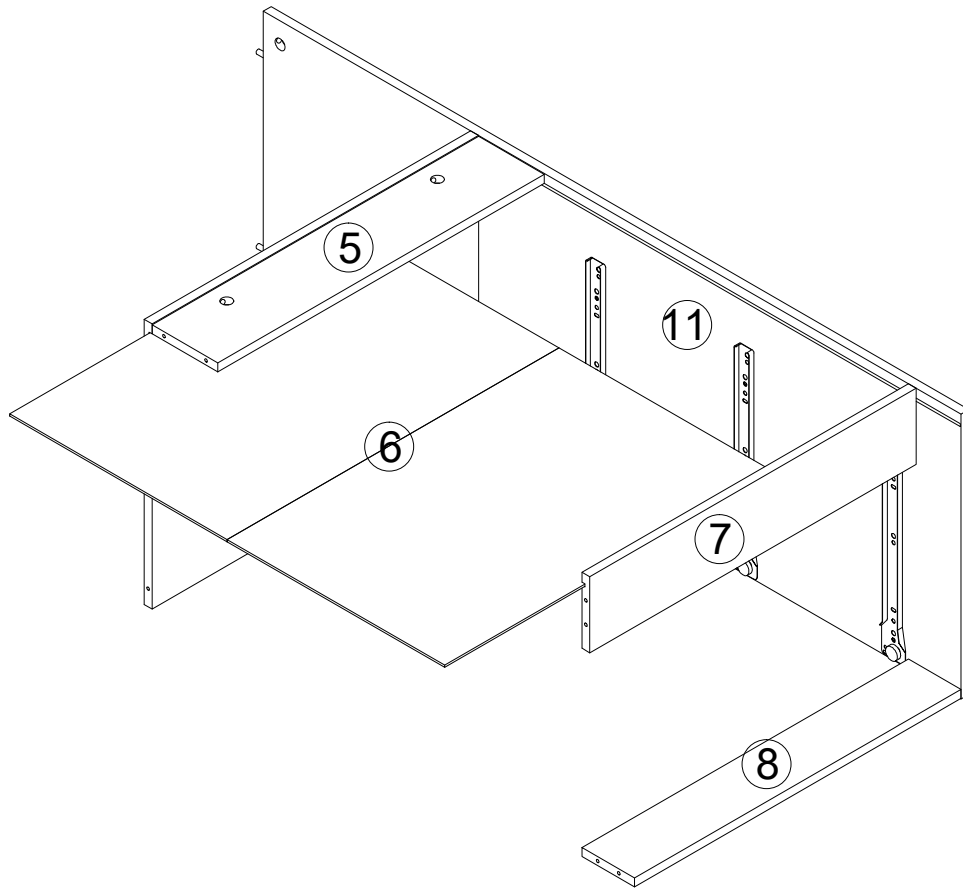
CR
3PCS

8

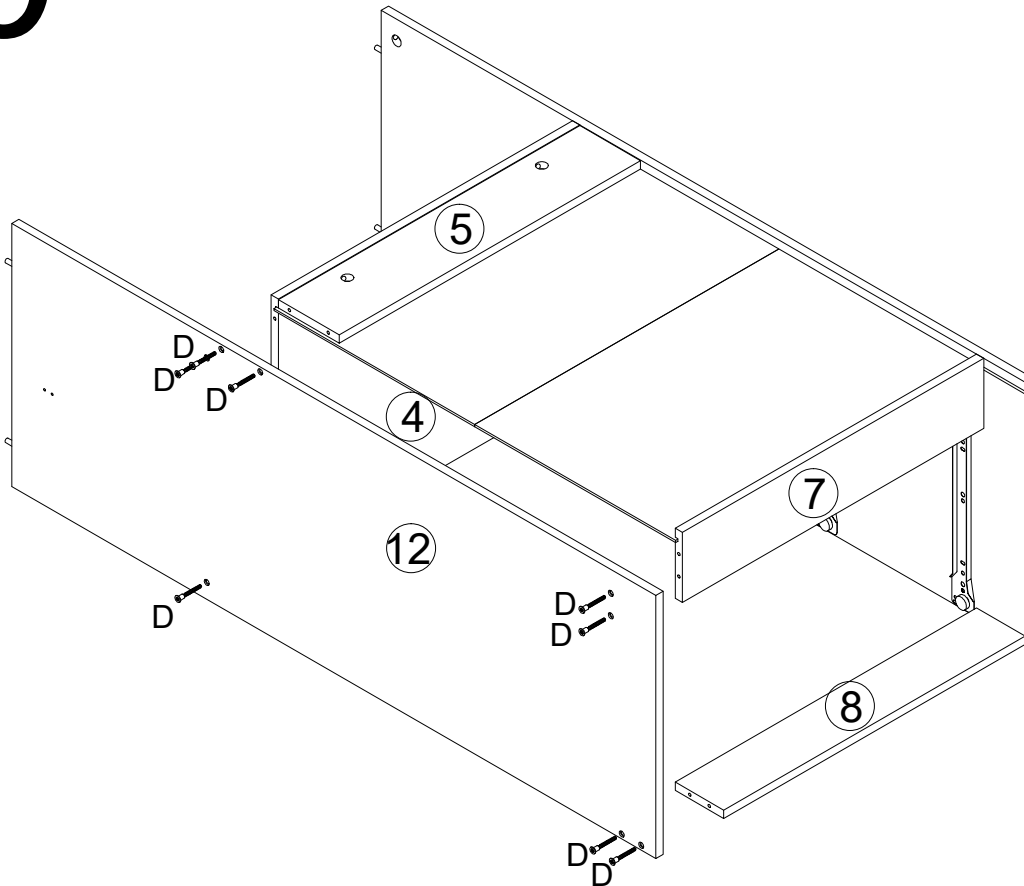


D M5*40
8PCS

9



10



D

M5*40



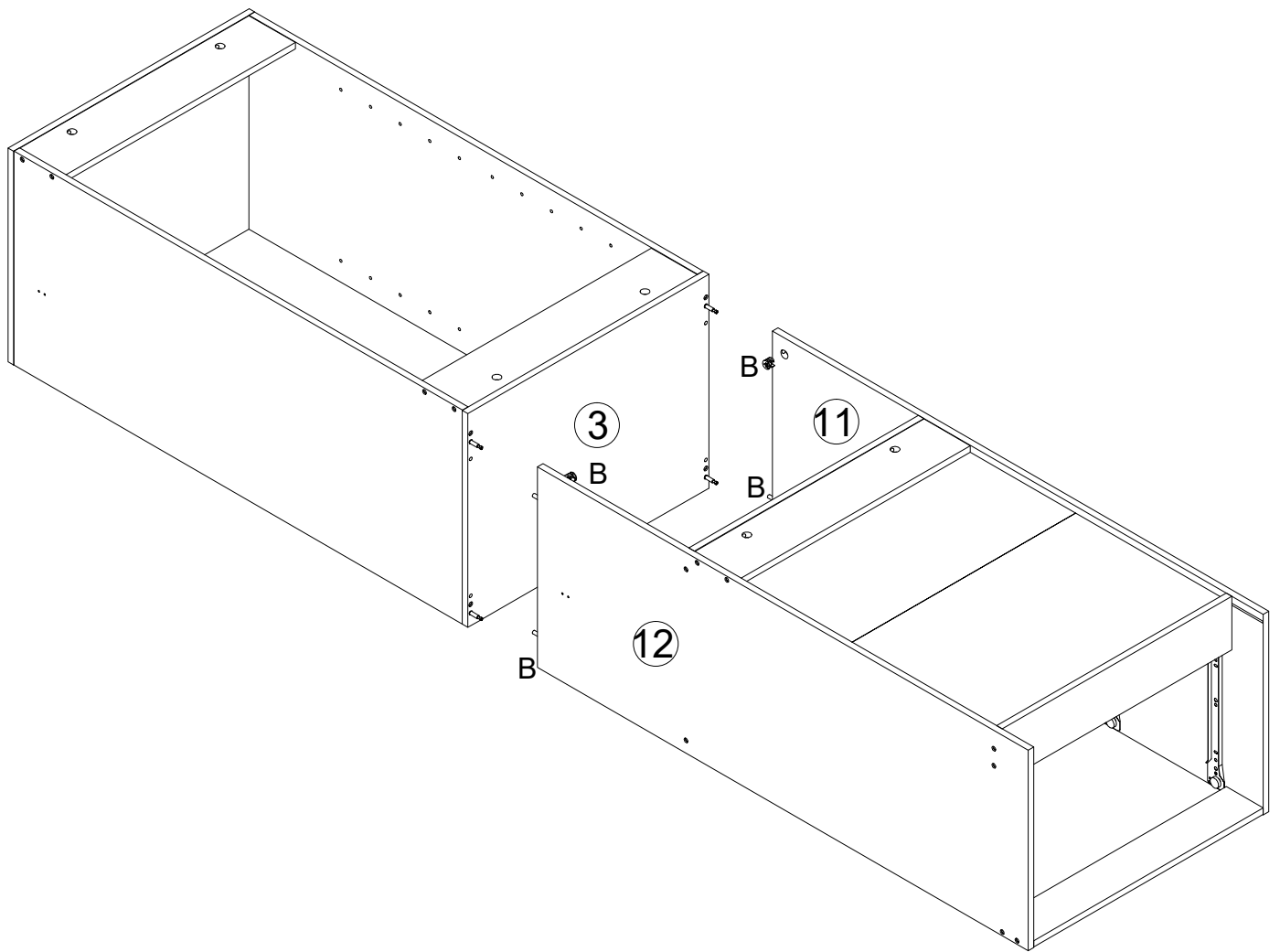
8PCS

11

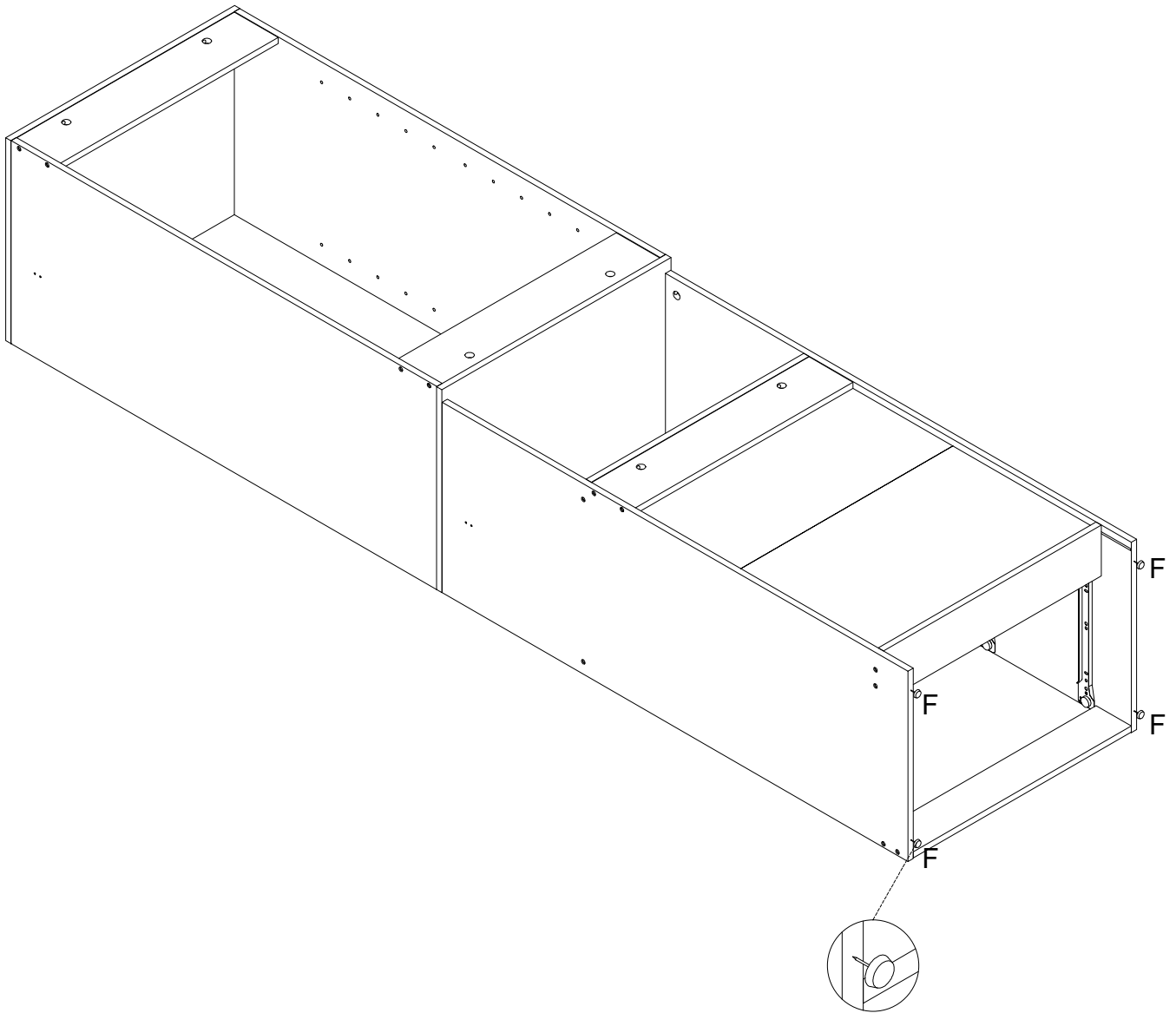
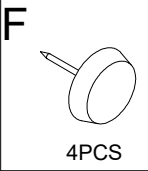
B



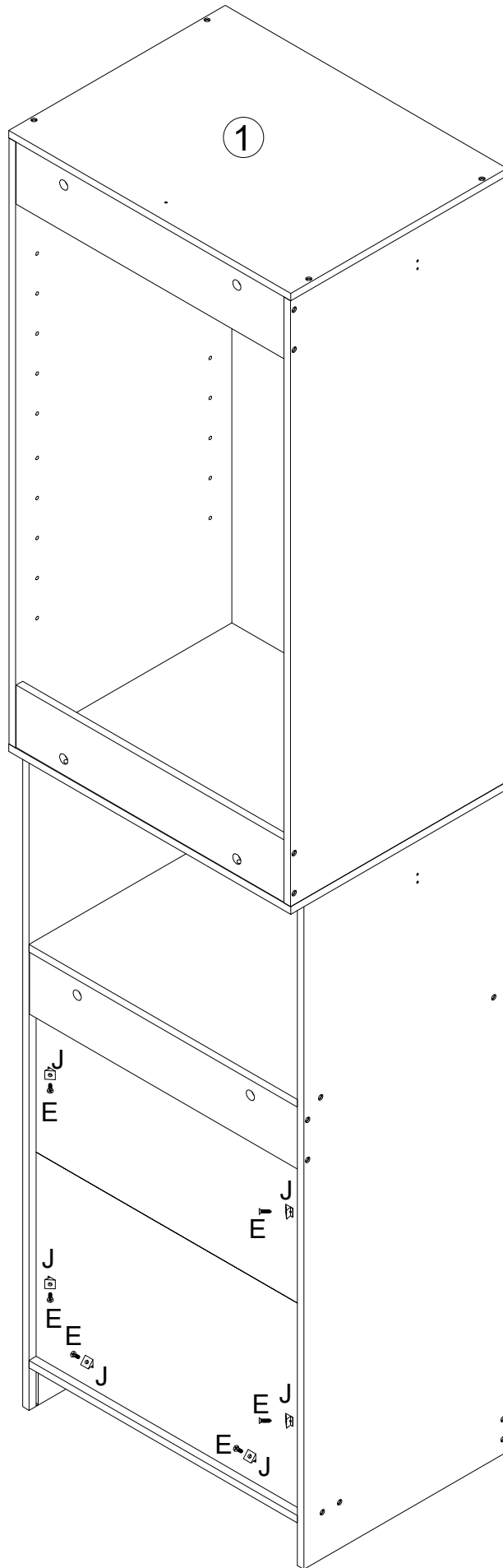
4PCS



12



13



E

M3*12



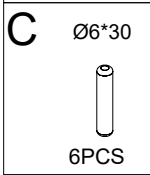
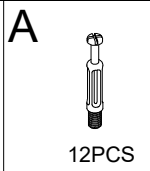
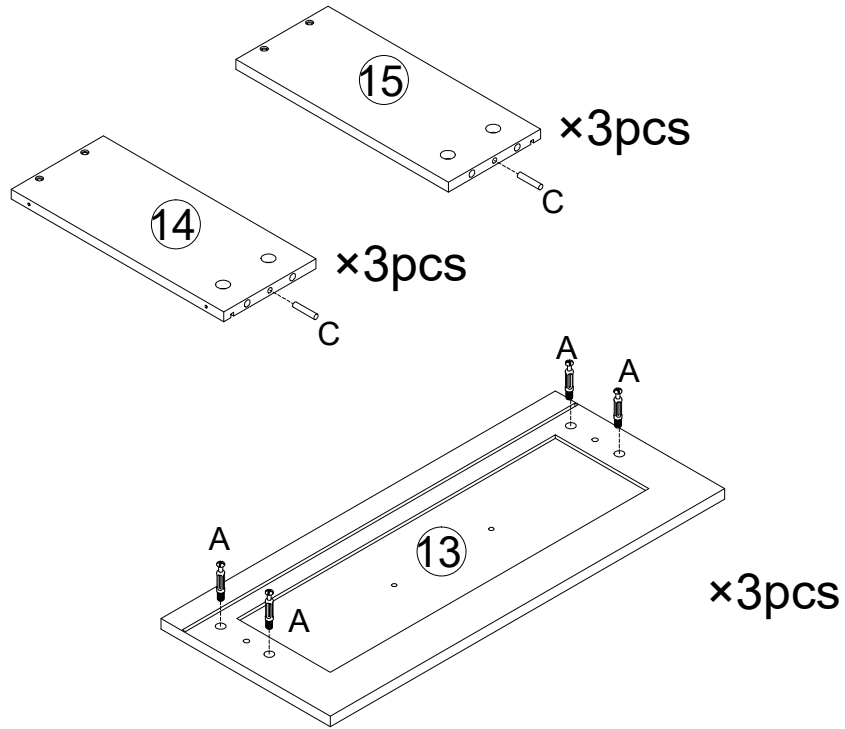
6PCS

J

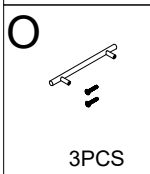
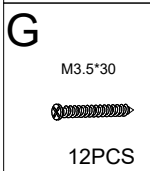
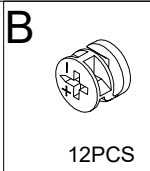
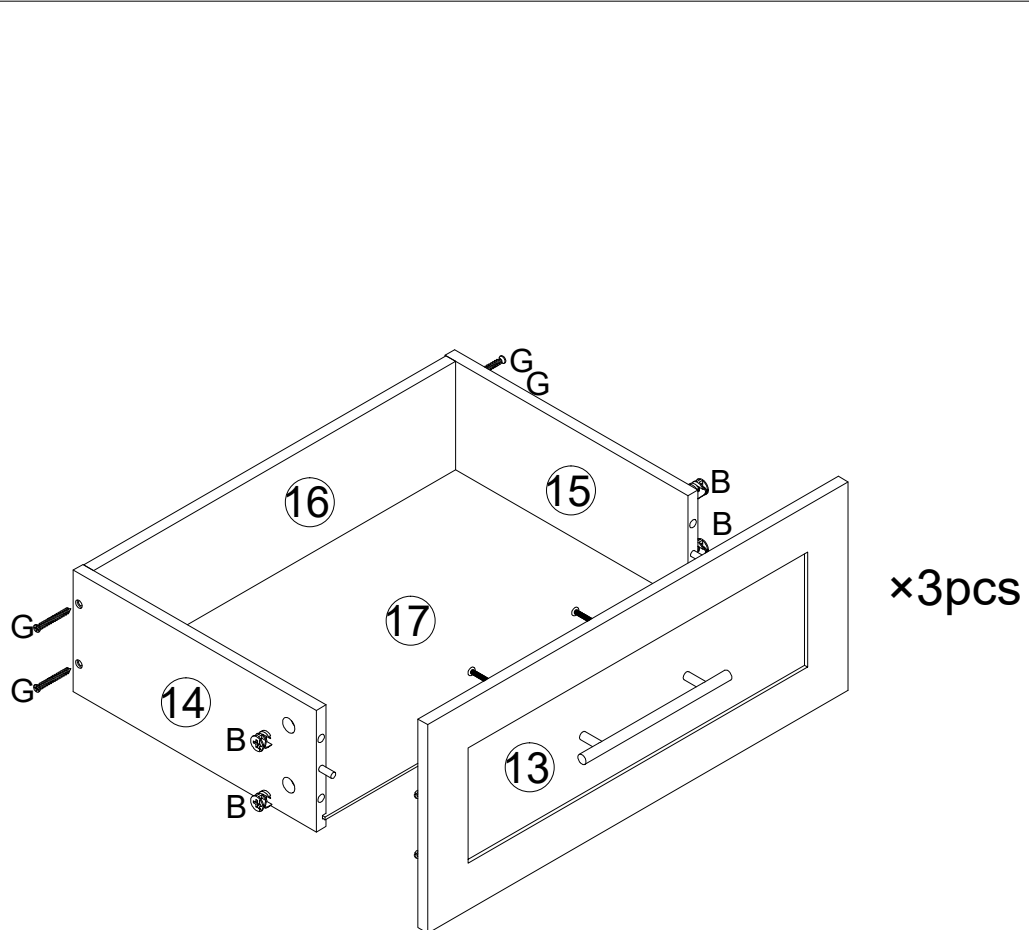


6PCS

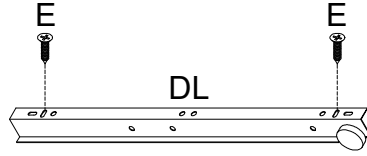
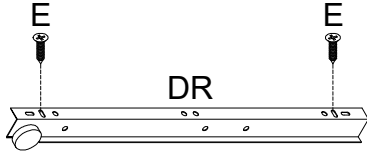
14



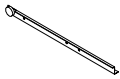
15

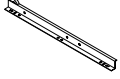


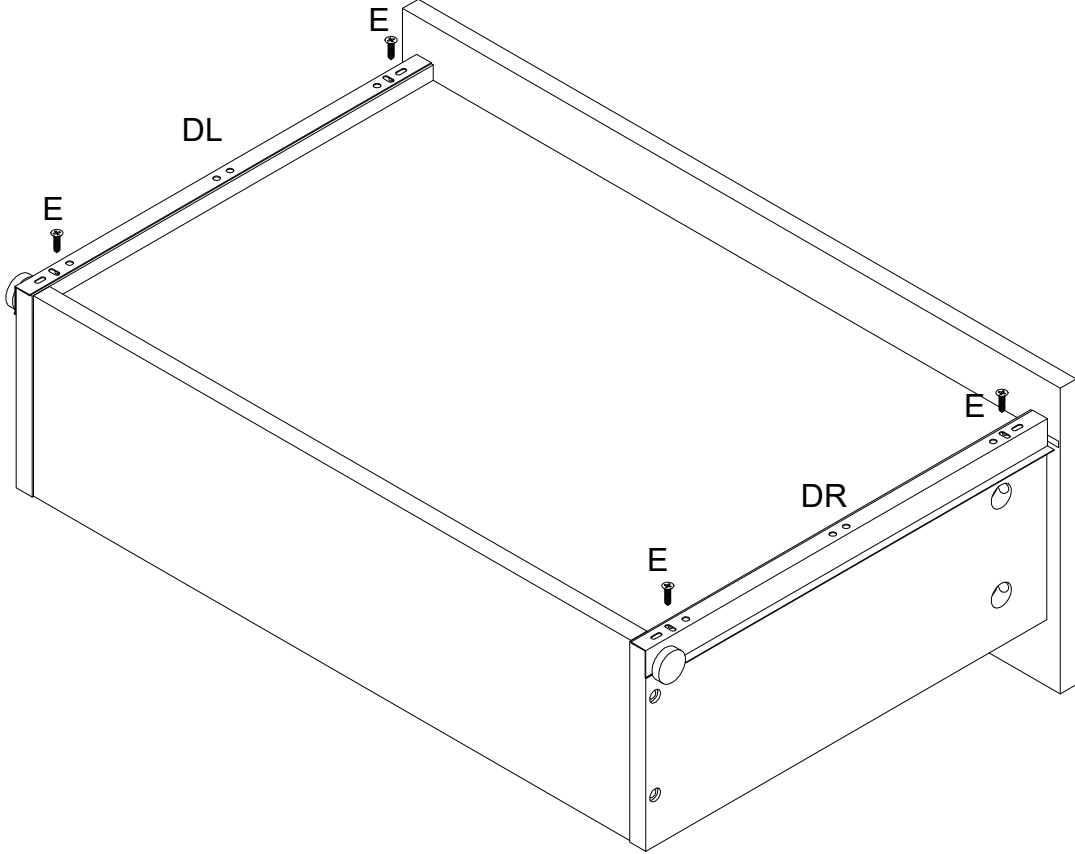
16



E
M3*12
12PCS

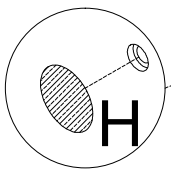
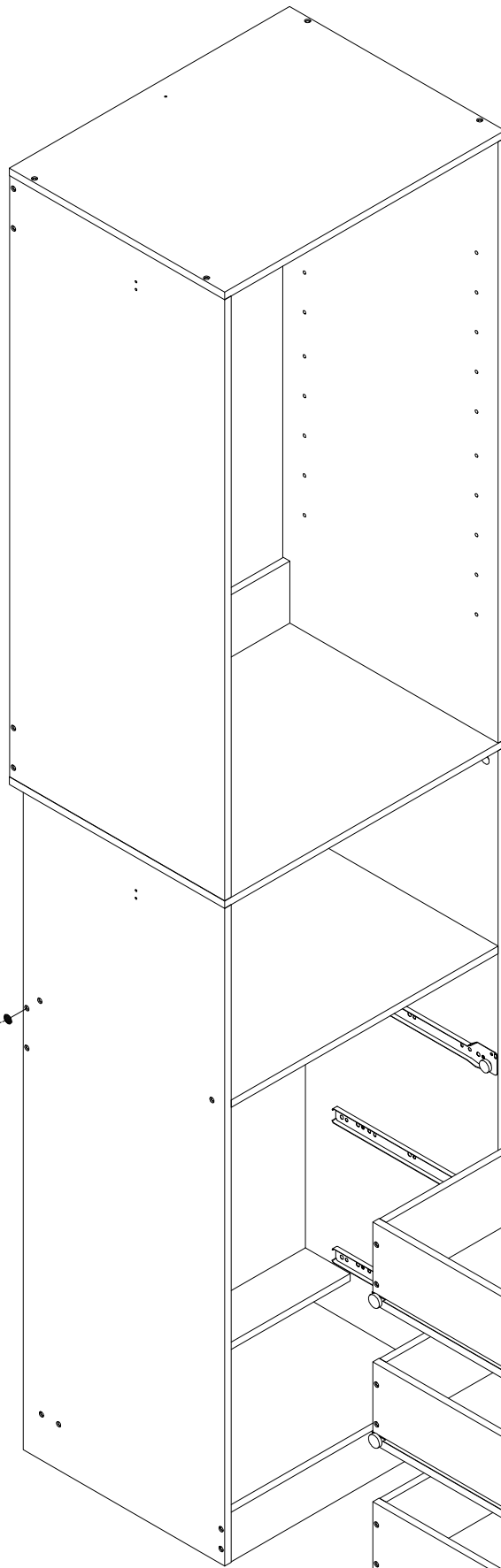
DL

3PCS

DR

3PCS

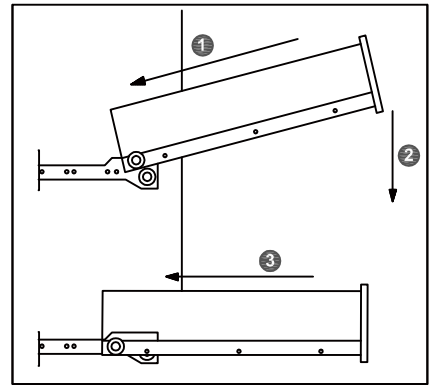


17

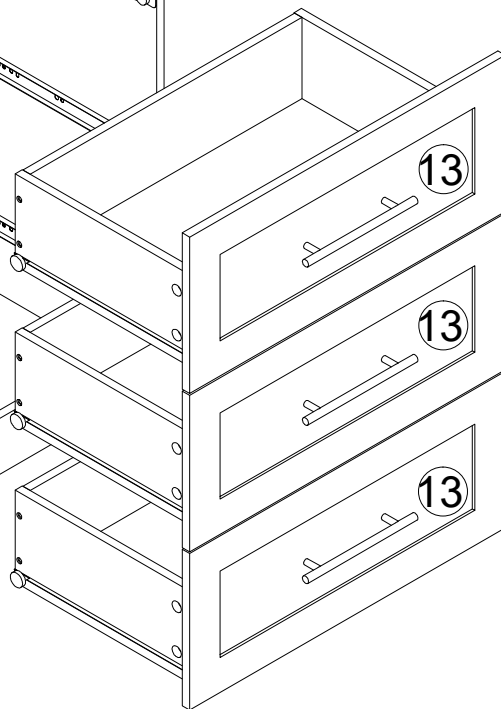
H
Ø20
54PCS



Insert the drawers obliquely



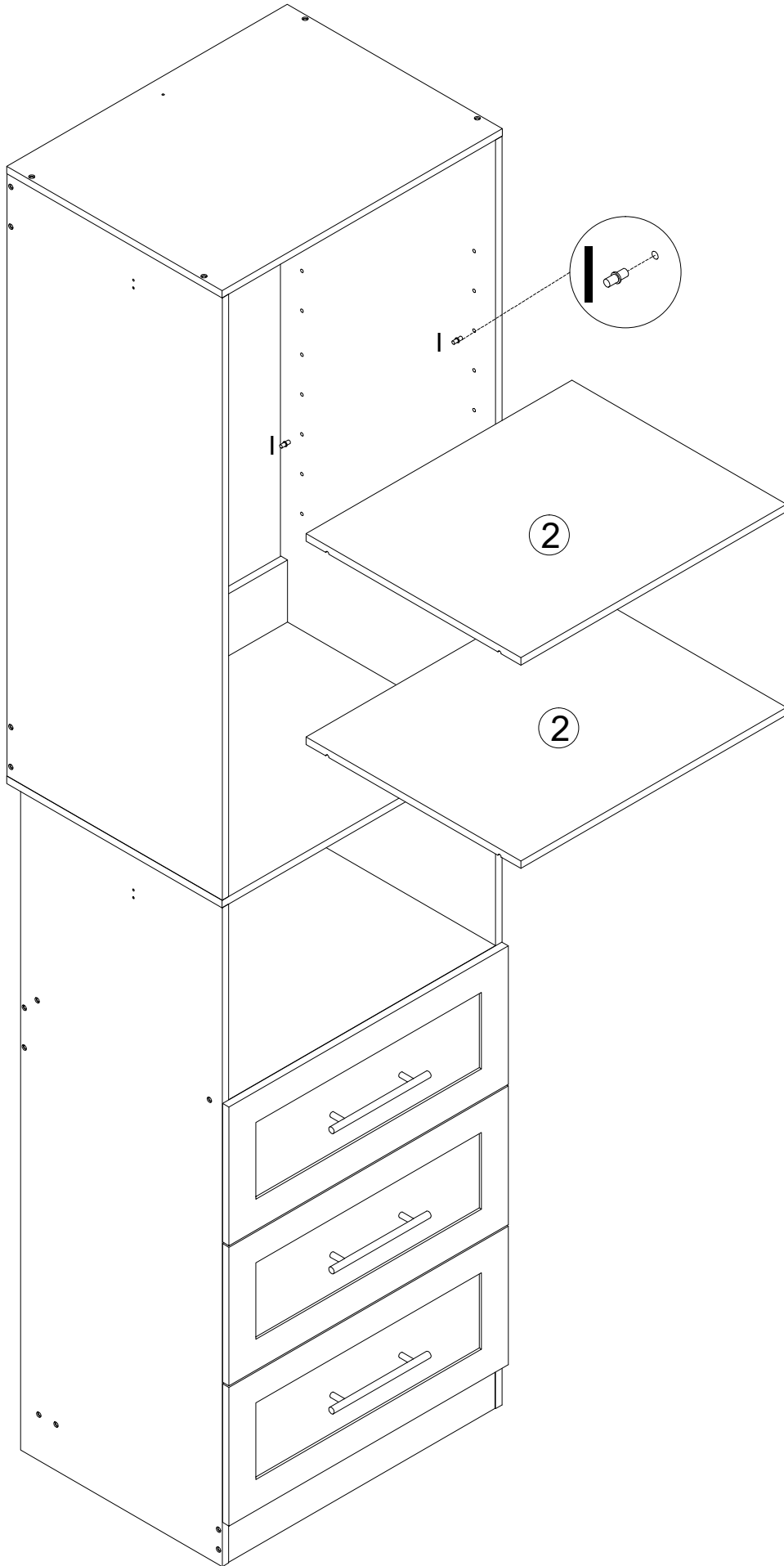
Sticking O sticker on all cam bolts makes this vanity set perfect.



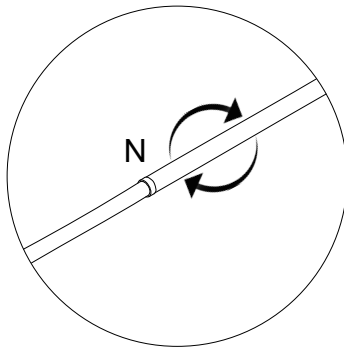
18



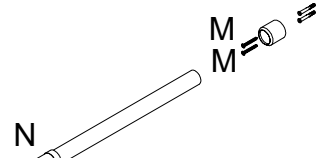
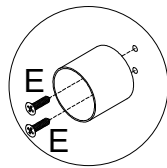
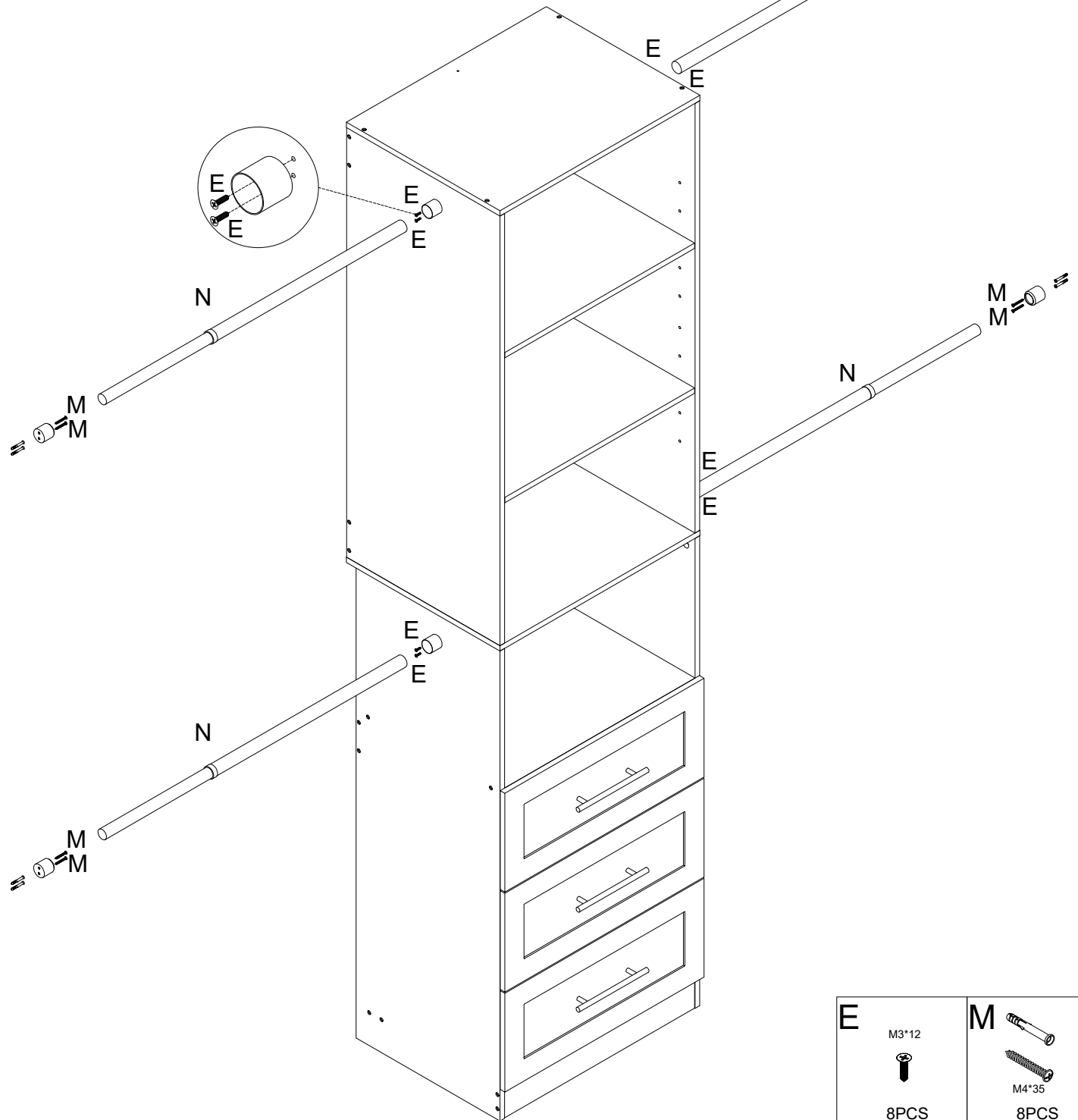
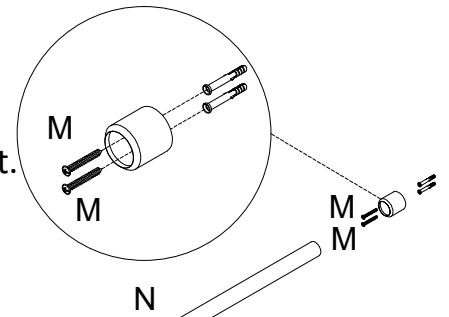
8PCS



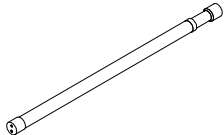


19



Rotate the rod clockwise to secure it, and rotate it counterclockwise to loosen it.



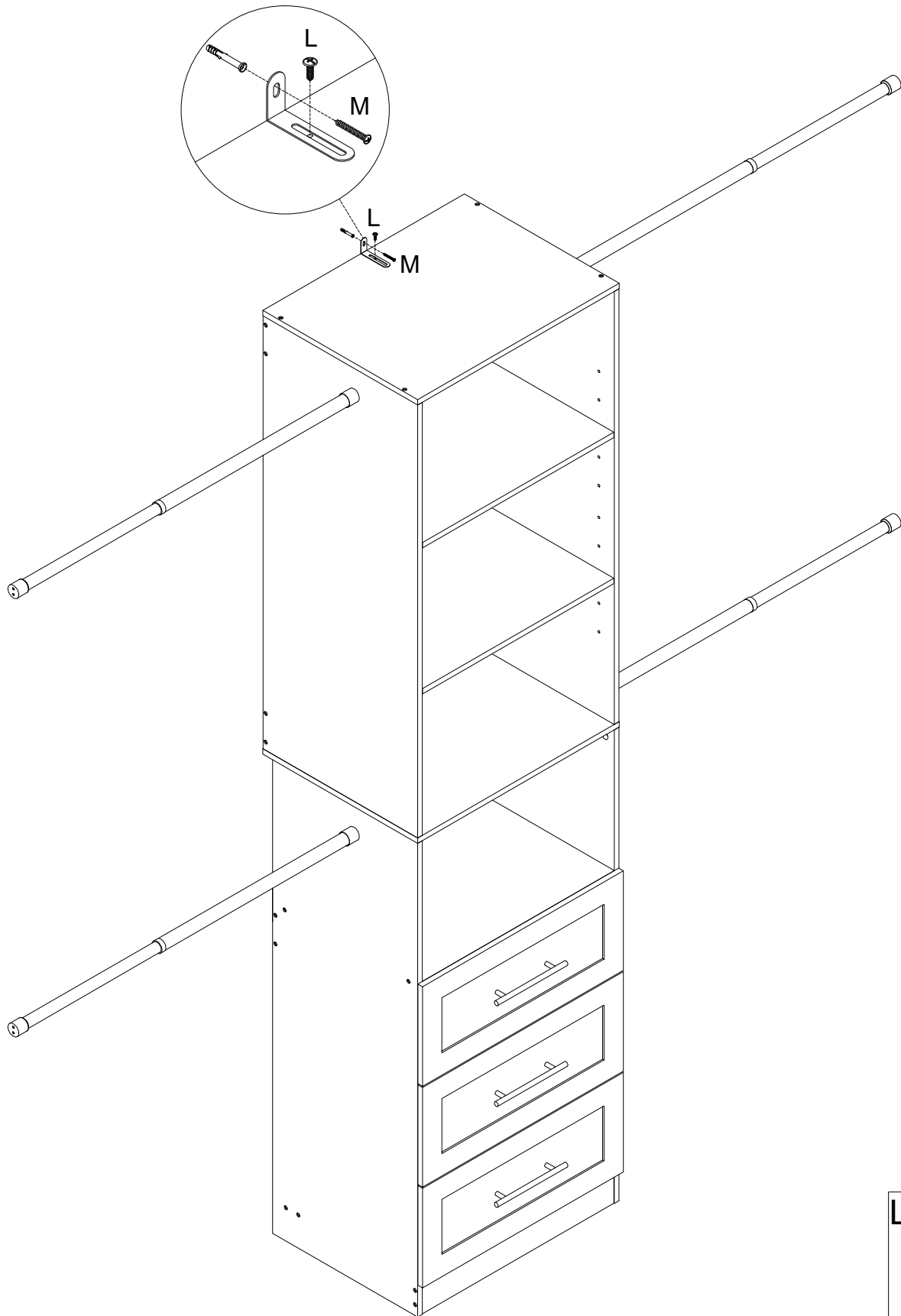
E M3*12  8PCS	M  M4*35 8PCS
N  4PCS	

IMPORTANT: When using the adjustable closet rod, do not extend it to its maximum length. Always keep an overlap of at least 2.5 - 3.9 inches; otherwise, its load-bearing capacity will be reduced.

20



Attention: For safety and stability, we suggest you have to secure the anti-tip accessories to the wall to prevent tipping, injury, and property damage.



L		M3.5*10	1PC
M		M4*35	1PC