

# ASSEMBLY INSTRUCTION

## 40"W BOOKCASE

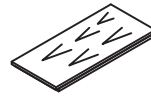
**A** Left Side Frame    **B** Right Side Frame    **C** Top Panel    **D** First and Third Shelves



1 pc



1 pc

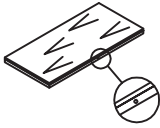


1 pc



2 pcs

**E** Second Shelf    **F** Bottom Shelf    **G** Reinforce Crossbar    **H** Bolt with Lock Washer and Flat Washer 1/4", 5/8"



1 pc



1 pc



2 pcs

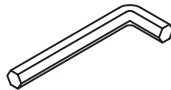


5 pcs

**I** Flat Head Bolt 1/4", 1"    **J** Allen Wrench    **K** Furniture Tipping Restraint



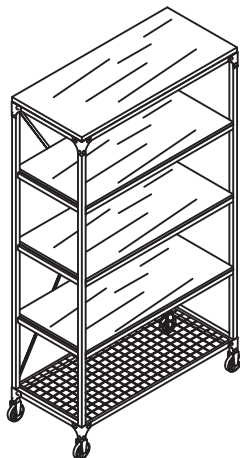
20 pcs



1 pc

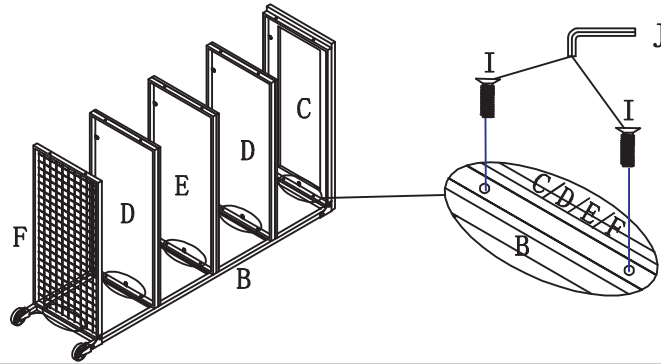


1 pc

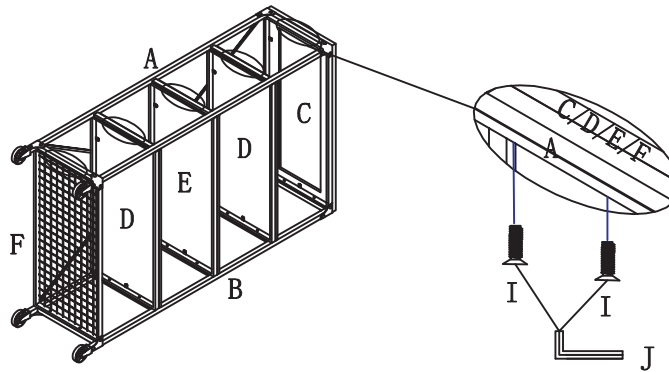


This page lists all the contents included in the box. Please take the time to identify the hardware as well as the individual components to this product. As you unpack and prepare for assembly, place the contents on a carpeted or padded area to protect them from damage.

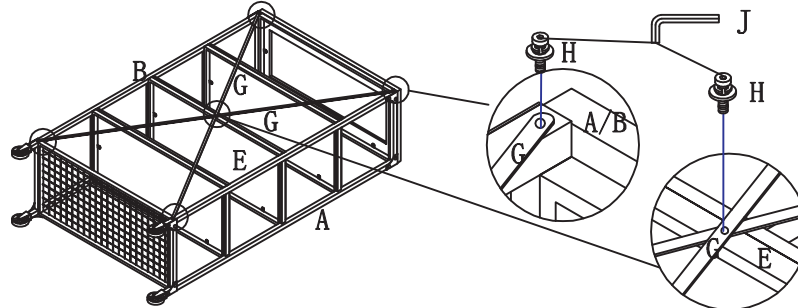
- 1 Place and face down Right Side Frame ( B ) on a stable and smooth surface, attach Top panel ( C ), First and Third Shelves ( D ), Second Shelf ( E ) and Bottom Shelf ( F ) to the Right Side Frame ( B ), using Flat Head Bolt ( I ) and Allen Wrench ( J ).



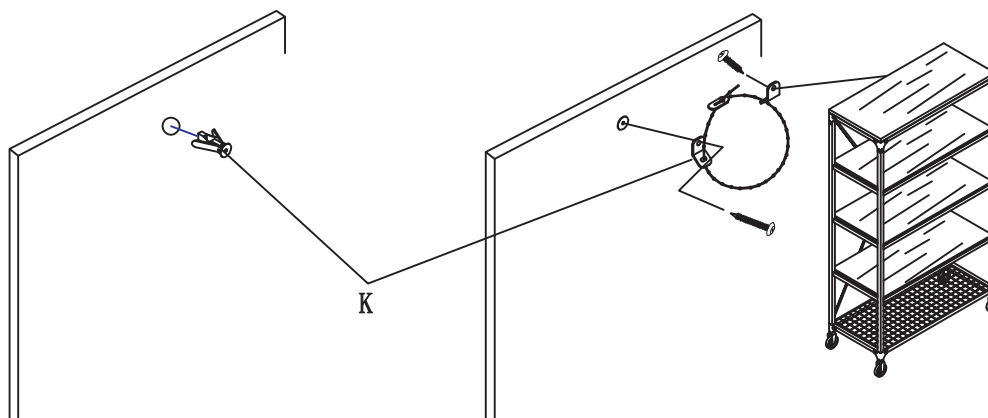
- 2 Attach the Left Side Frame ( A ) to Top panel ( C ), First and Third Shelves ( D ), Second Shelf ( E ) and Bottom Shelf ( F ), using Flat Head Bolt ( I ) and Allen Wrench ( J ).



- 3 Upside down book shelf, then cross two Reinforce Crossbar ( G ) and put them on the book shelf, attach the Reinforce Crossbar ( G ) to Left Side Frame ( A ) and Right Side Frame ( B ), attach the crossing point to Second Shelf ( E ), using Bolt with Lock Washer and Flat Washer ( H ) and Allen Wrench ( J ). Finally tighten all bolts with Allen Wrench ( J ).



- 4 Fixed the book shelf on the wall using Furniture Tipping Restraint ( K ).



## Cleaning & Care

Treat surface with care. Surface is resistant to scratches but is not scratch resistant. Clean surfaces with adry or damp soft cloth. Do not use abrasive cleaners. Hardware may loosen over time. Periodically check that all connections are tight.