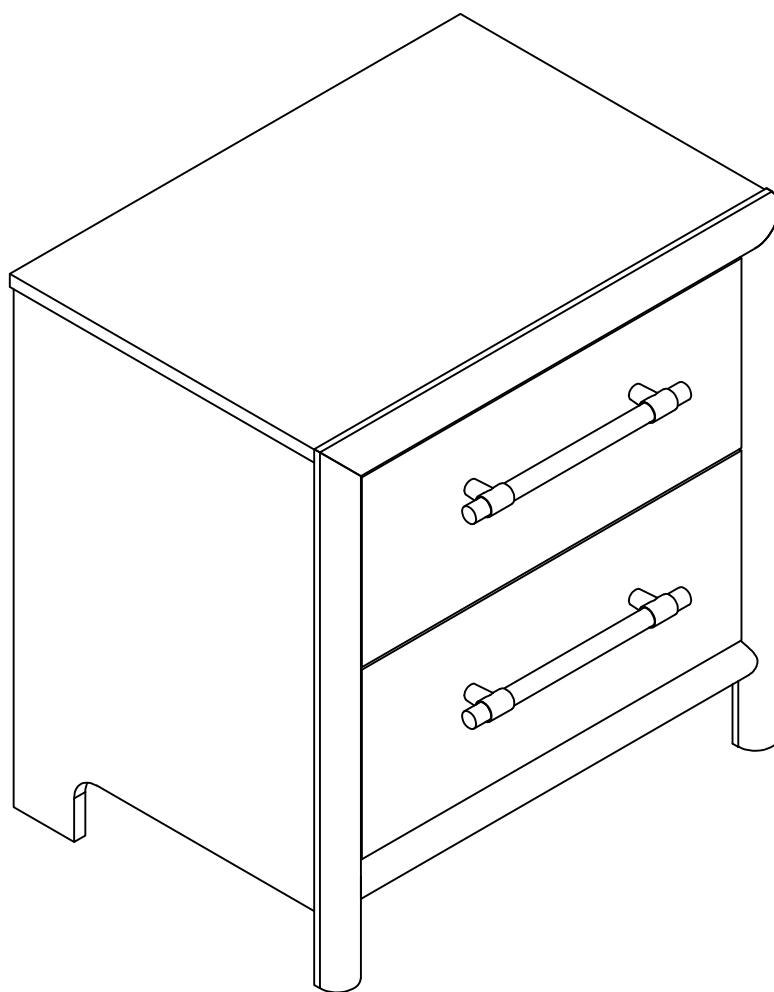
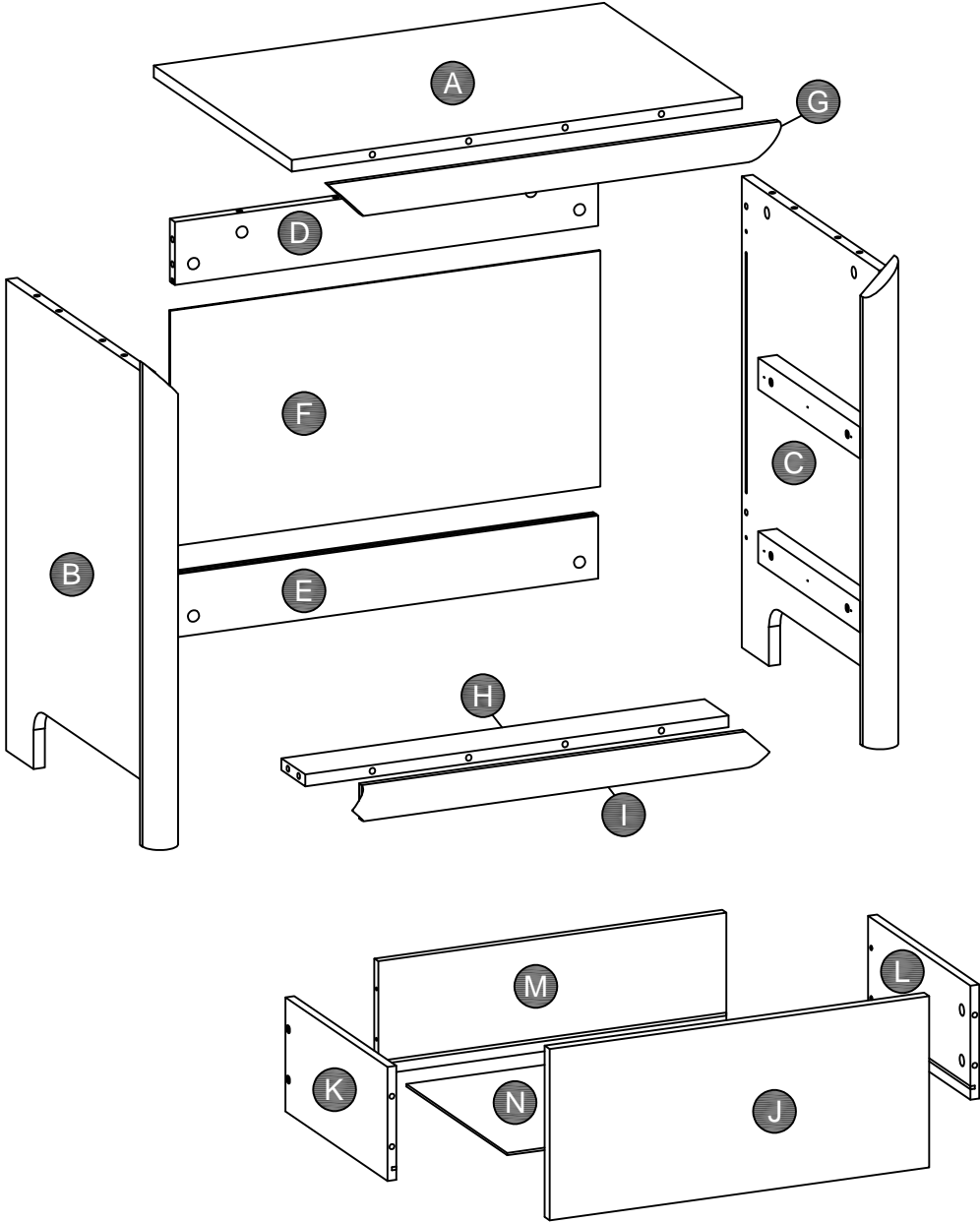


B2504B-2
B2504L-2



Part Identification



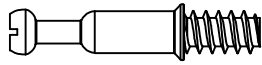
X2

Hardware Identiflcation

① HIDDEN CAM A -18



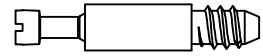
② CAM SCREW A -18



③ WOOD DOWEL Ø8x30mm - 14



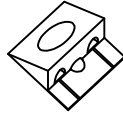
④ CAM SCREW A -8



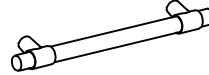
⑤ HIDDEN CAM A -8



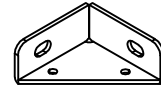
⑥ BACK CONNECTOR A - 6



⑦ SHAKE HANDS -2



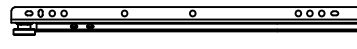
⑧ IRON ANG CODE -2



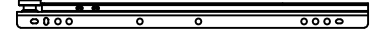
L=12"
2x CABINET LEFT
(CL)



L=12"
2x CABINET RIGHT
(CR)



L=12"
2x DRAWER RIGHT
(DR)

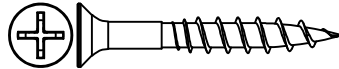


L=12"
2x DRAWER LEFT
(DL)

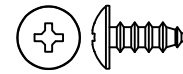
⑨ FLAT HEAD SCREW-24
#6.5x1/2"



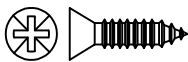
⑩ FLAT HEAD SCREW-8
#10x1-1/2"



⑪ ROUND HEAD SCREW-8
#8*9/16"



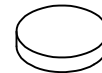
⑫ BACK FLAT HEAD SCREW - 6
#6*5/8 "



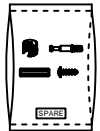
⑬ PAN HEAD BOLTS - 4
5*32"x7/8"



⑭ FELT MAT- 4



⑮ SPARE-1

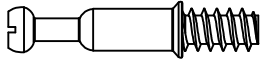


STEP 1

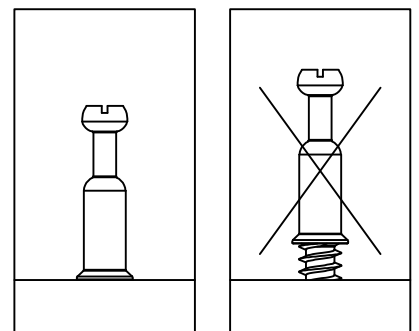
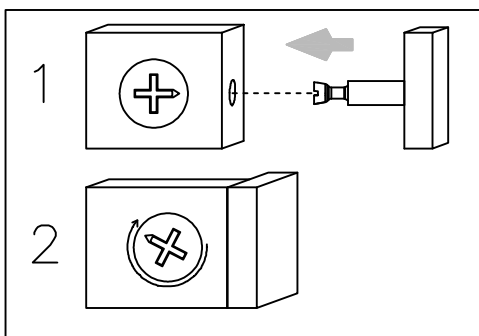
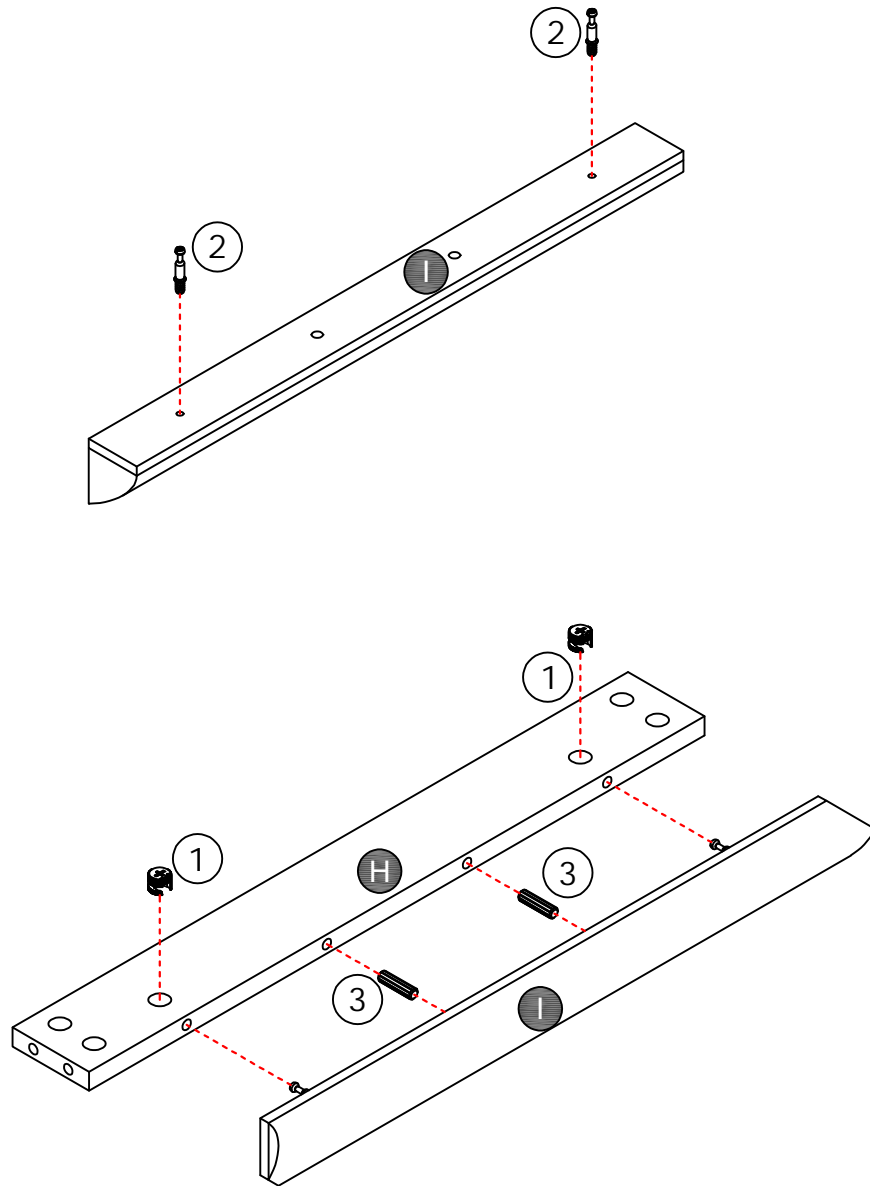
① HIDDEN
CAM A - 2



② CAM
SCREW A - 2

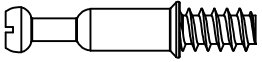


③ WOOD
DOWEL Ø8x30mm - 2



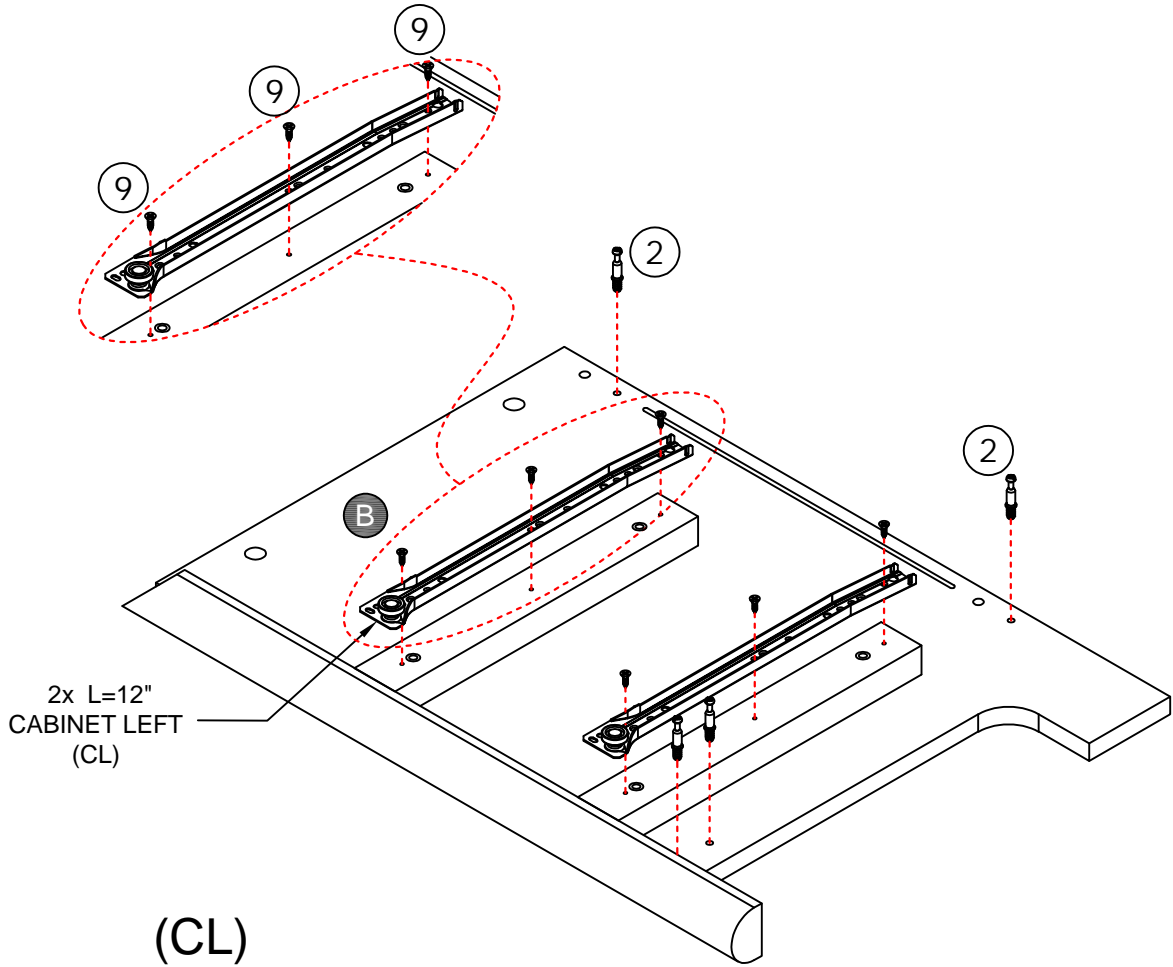
STEP 2

② CAM SCREW A -4

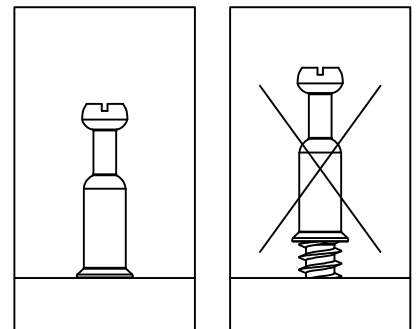
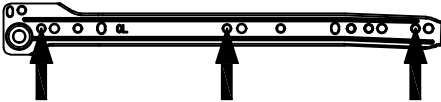


L=12"
2x CABINET LEFT
(CL)

⑨ FLAT HEAD SCREW-6
#6.5x1/2"

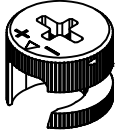


(CL)

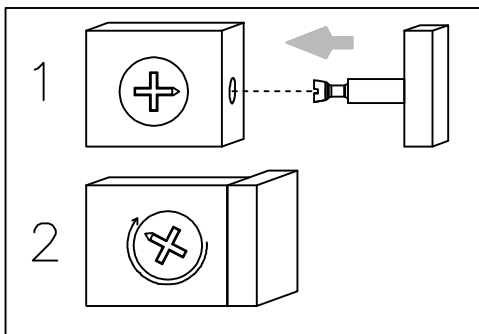
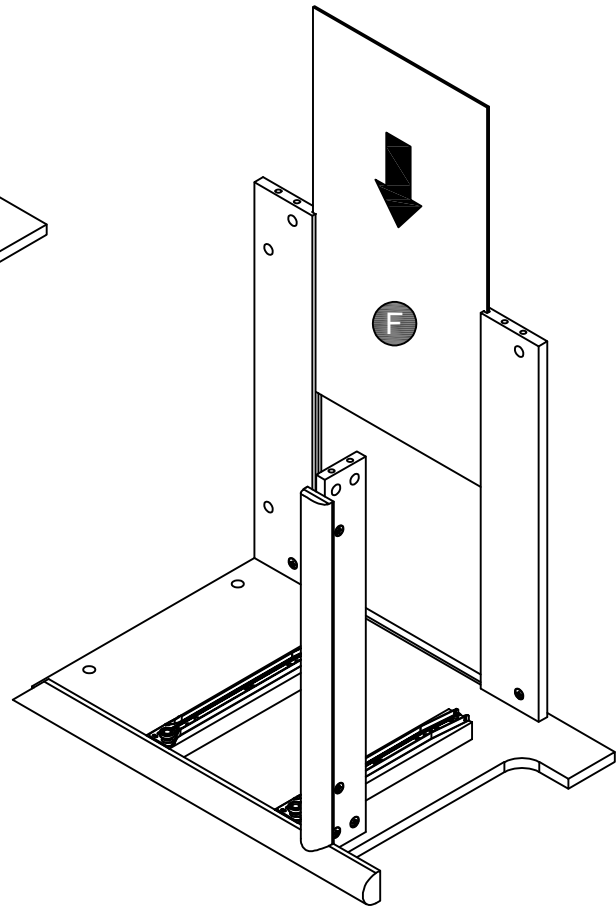
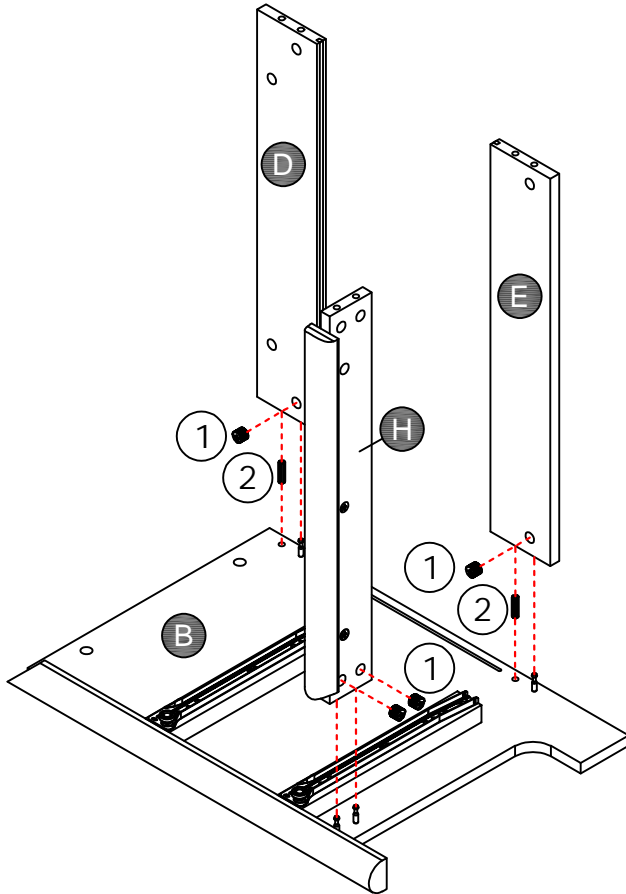


STEP 3

① HIDDEN CAM A - 4

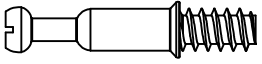


③ WOOD DOWEL Ø8x30mm - 2



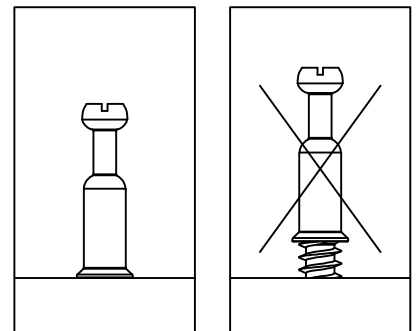
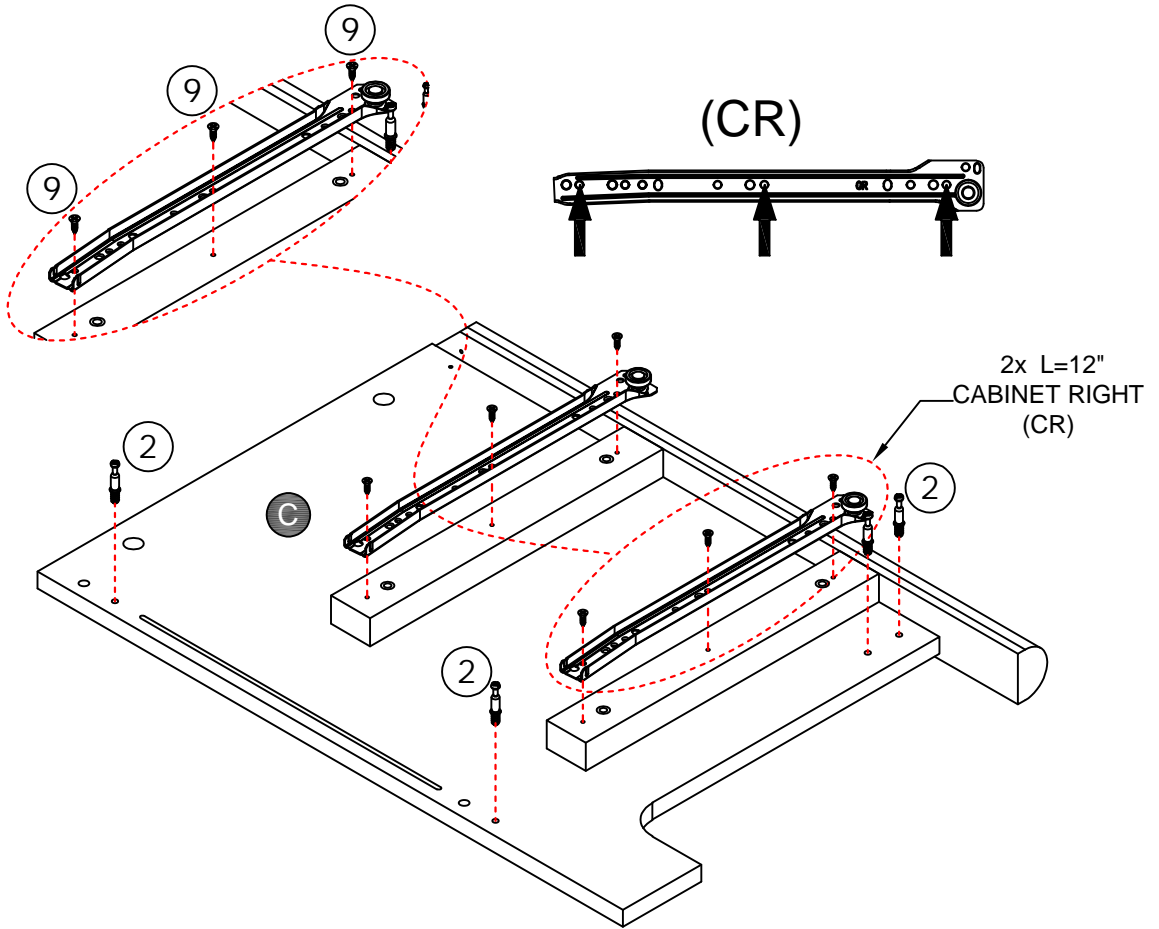
STEP 4

2 CAM
SCREW A -4



L=12"
2x CABINET RIGHT
(CR)

9 FLAT HEAD SCREW-6
#6.5x1/2"

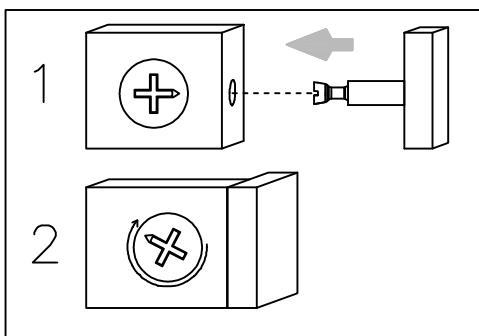
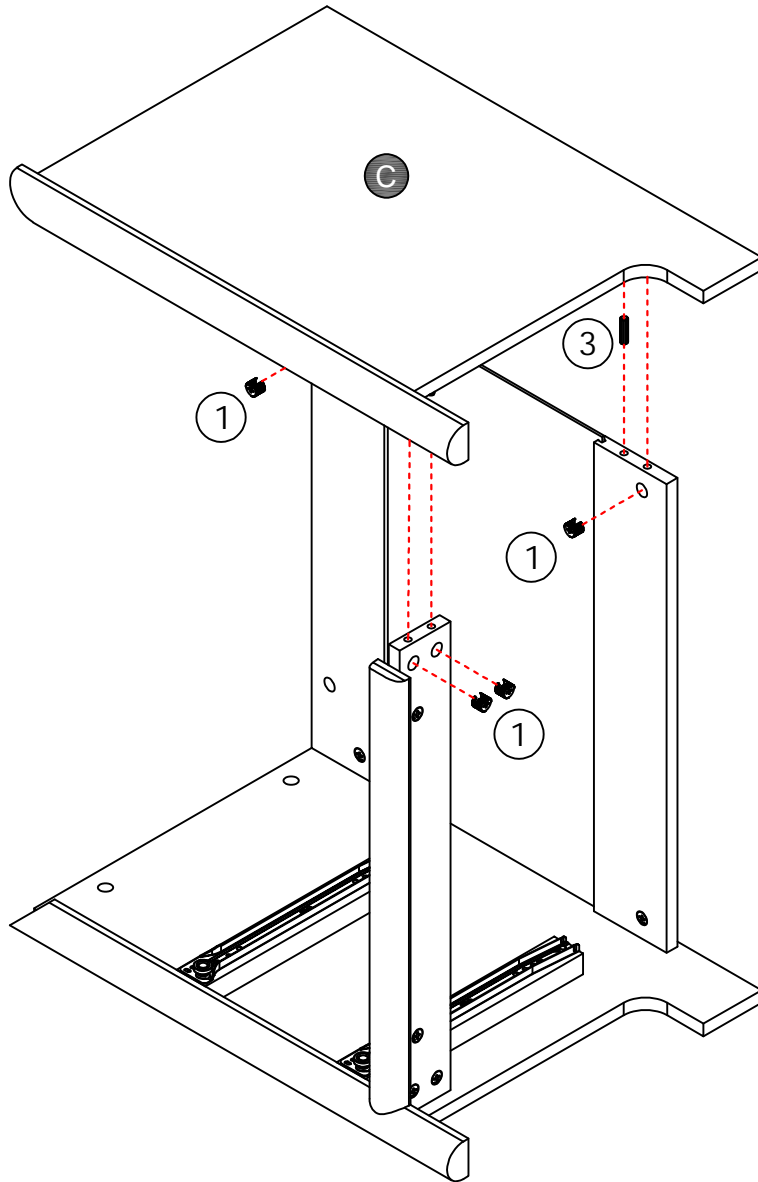


STEP 5

① HIDDEN
CAM A - 4



③ WOOD
DOWEL Ø8x30mm - 2

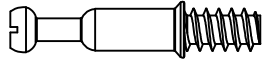


STEP 6

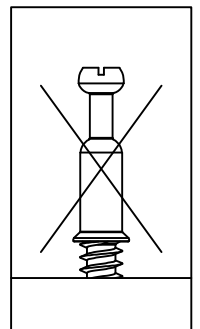
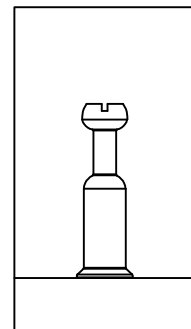
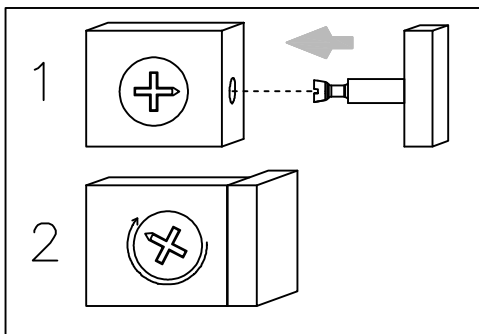
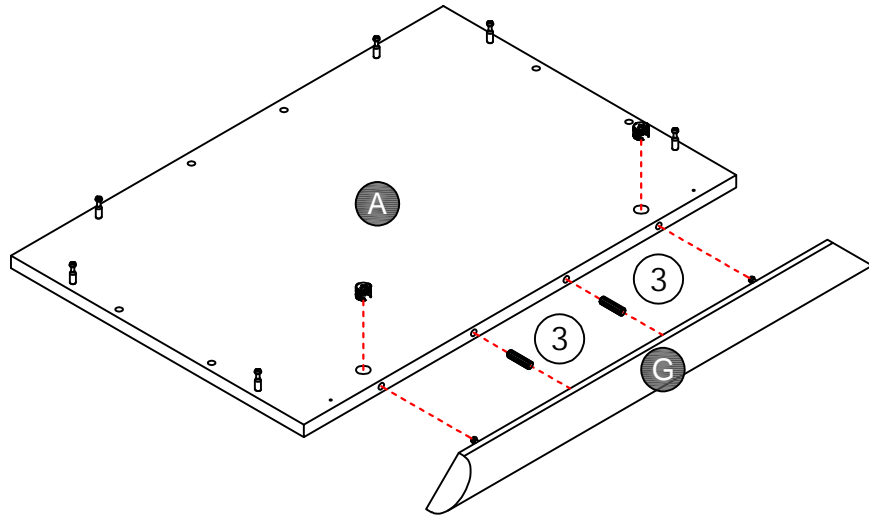
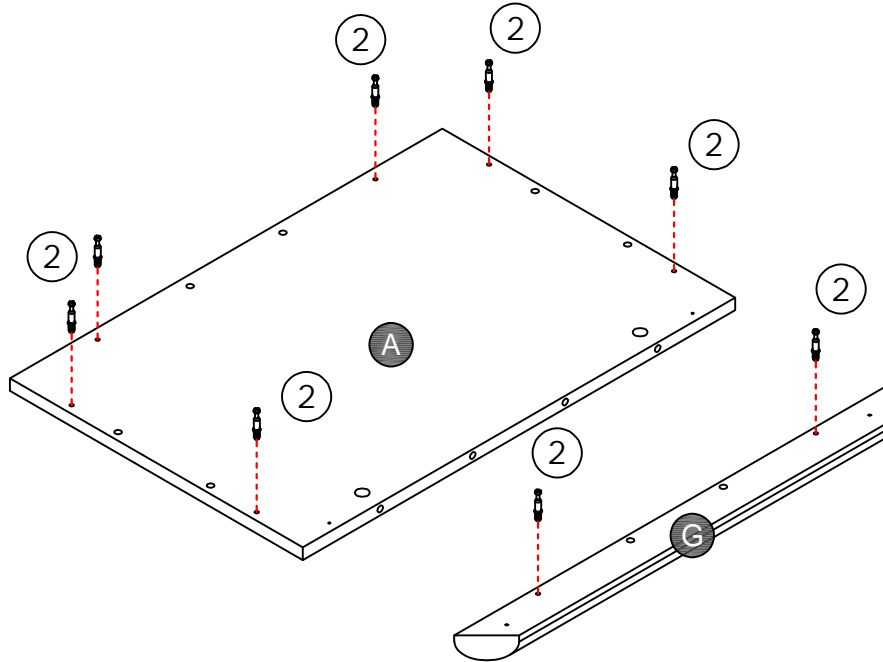
① HIDDEN CAM A - 2



② CAM SCREW A - 8



③ WOOD DOWEL Ø8x30mm - 2

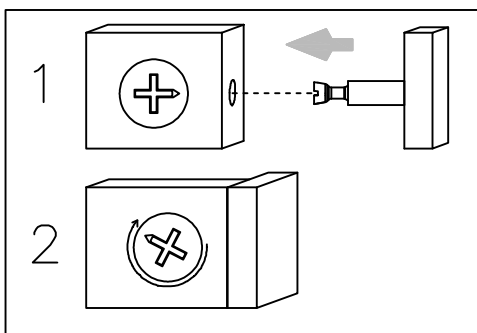
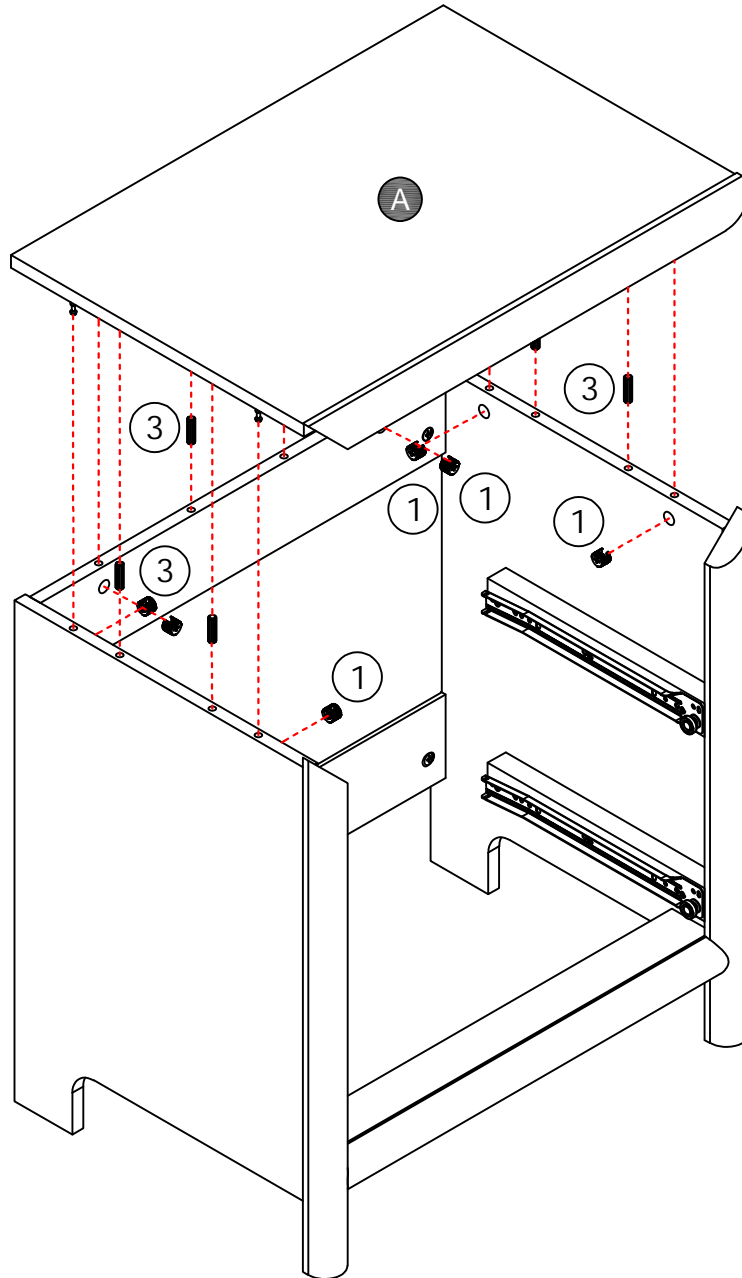


STEP 7

① HIDDEN
CAM A - 6

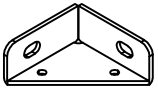


③ WOOD
DOWEL Ø8x30mm - 6



STEP 8

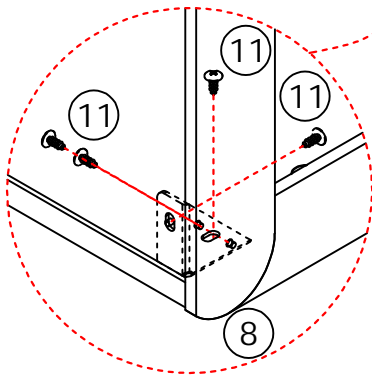
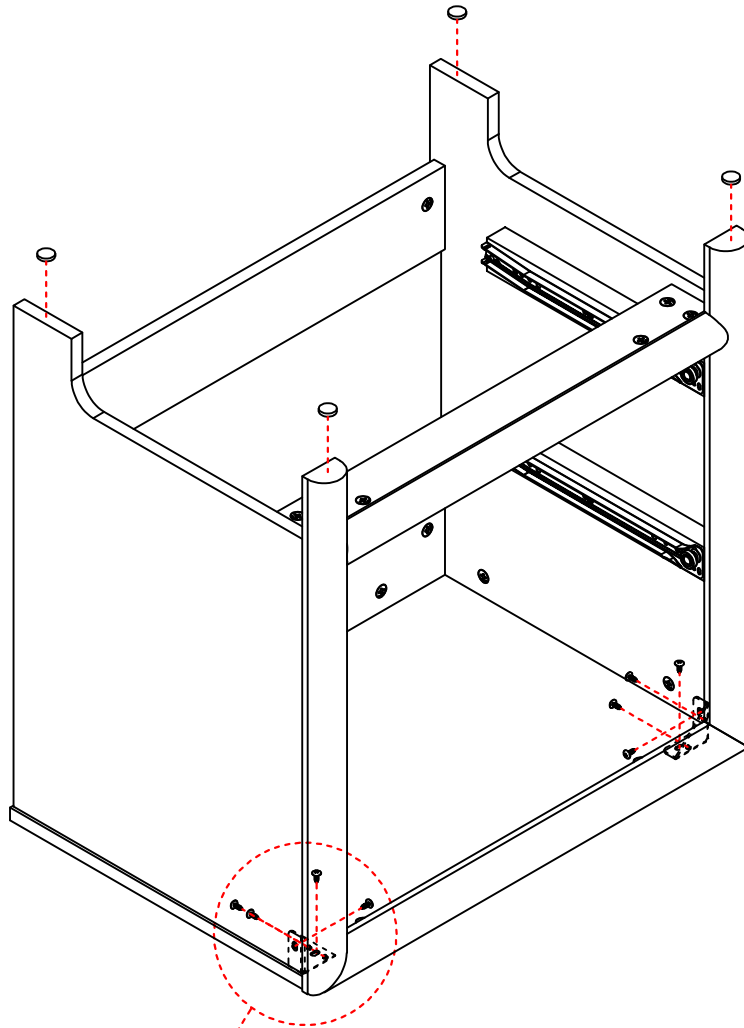
8 IRON ANG
CODE -2



11 ROUND HEAD SCREW-8
#8*9/16"



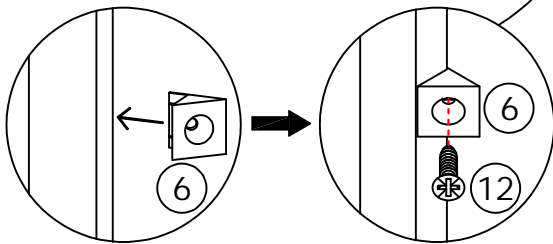
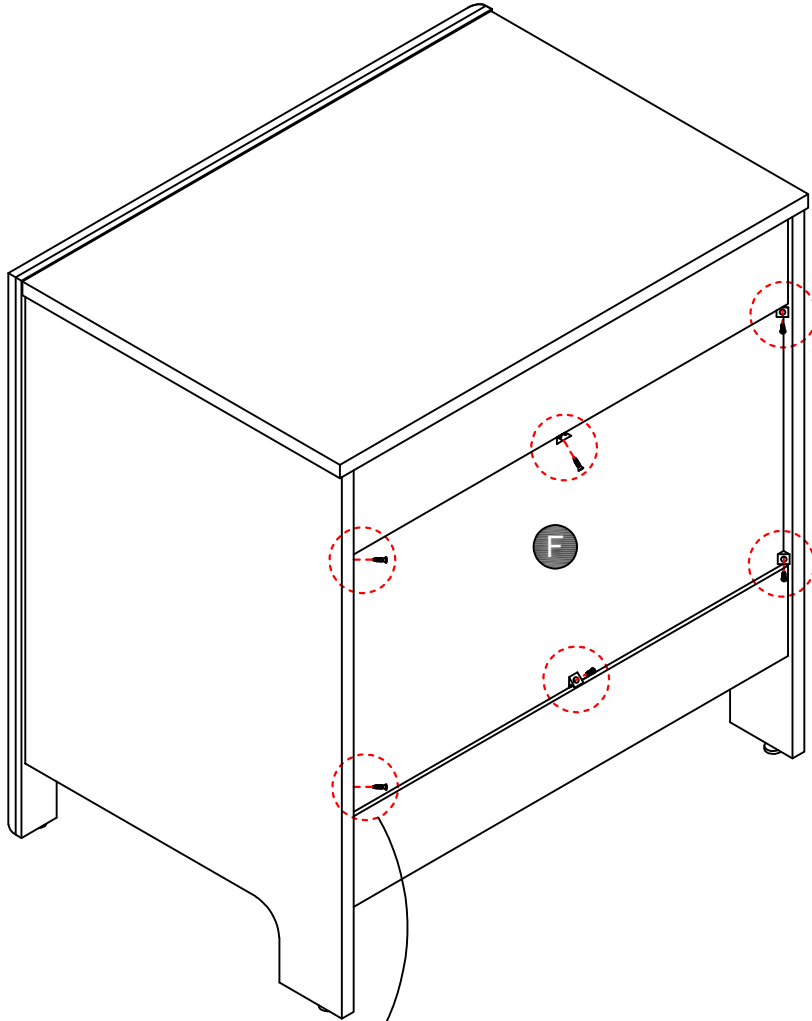
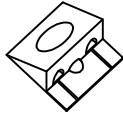
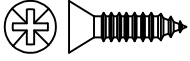
14 FELT MAT- 4



STEP 9

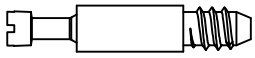
12 BACK FLAT HEAD SCREW - 6
#6*5/8 "

6 BACK
CONNECTOR A - 6

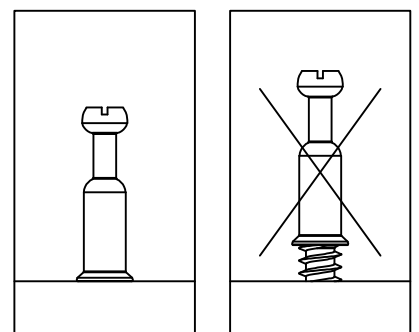
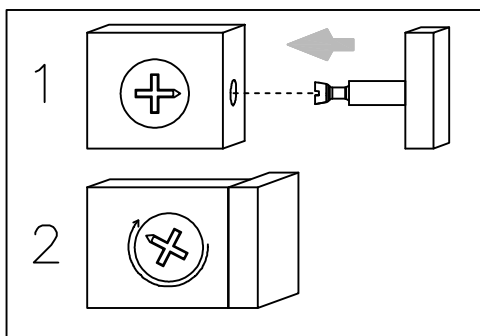
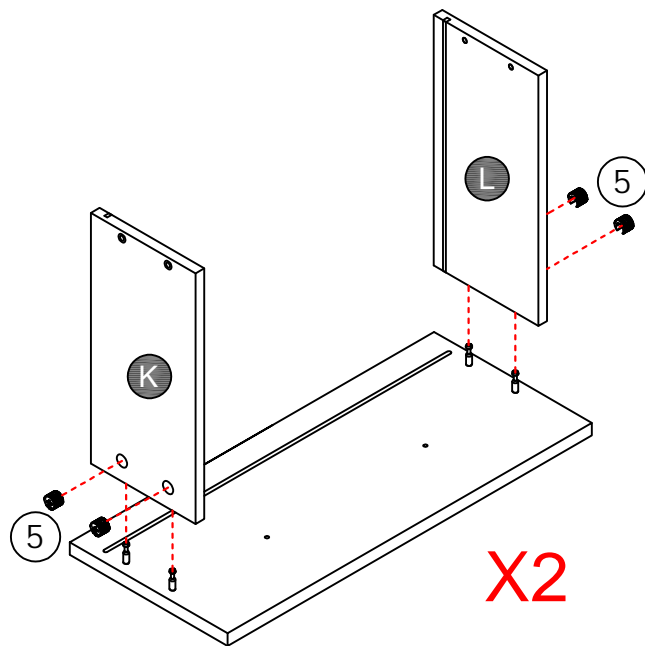
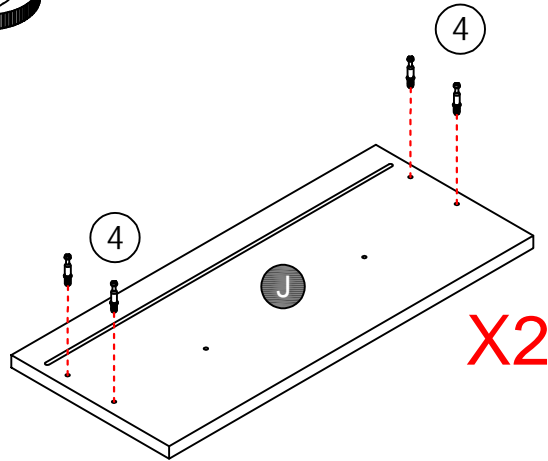


STEP 10

④ CAM SCREW A-8

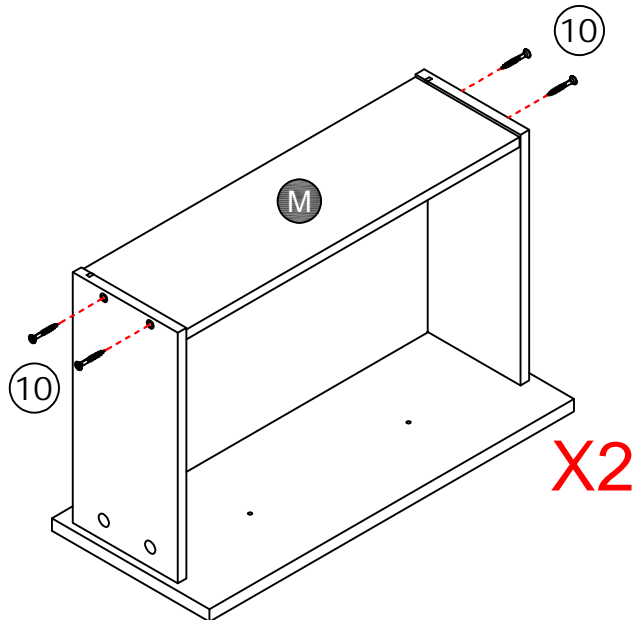
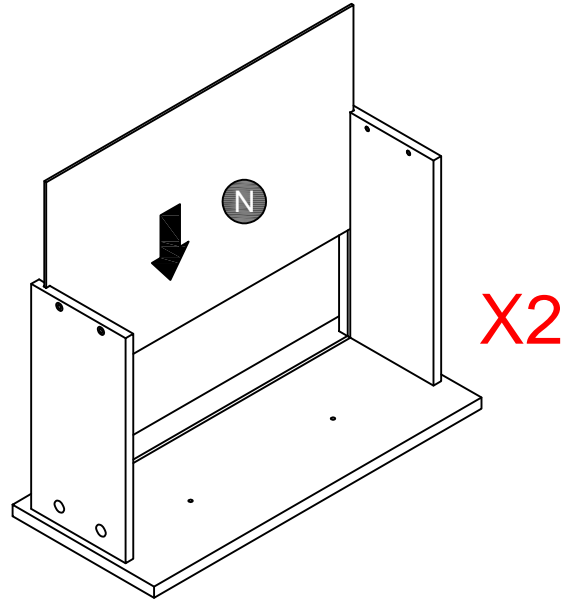
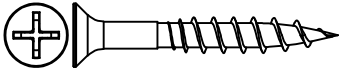


⑤ HIDDEN CAM A-8



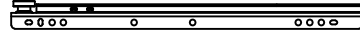
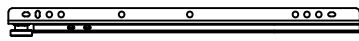
STEP 11

⑩ FLAT HEAD SCREW-8
#10x1-1/2"



STEP 12

9 FLAT HEAD SCREW-12
#6.5x1/2"



L=12"
2x DRAWER RIGHT
(DR)

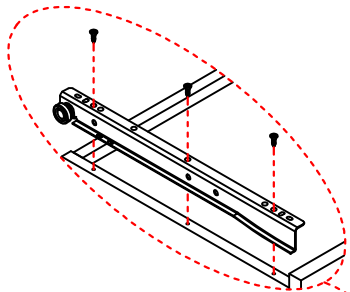
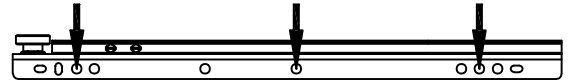
L=12"
2x DRAWER LEFT
(DL)

13 PAN HEAD BOLTS - 4
5*32"x7/8"

7 SHAKE
HANDS - 2



(DL)

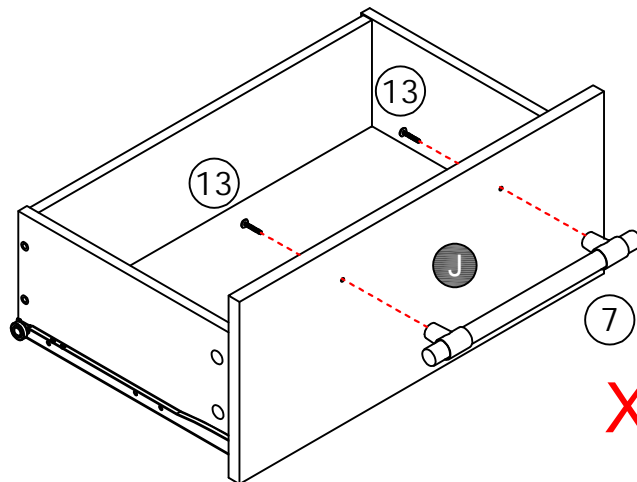
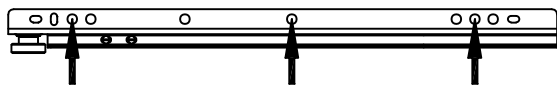


2x L=12"
DRAWER RIGHT
(DR)

(DR)

2x L=12"
DRAWER LEFT
(DL)

X2



X2

STEP 13

