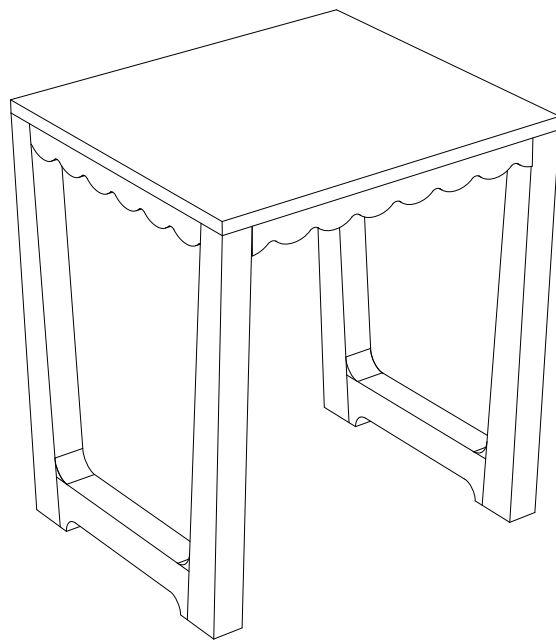


# **ASSEMBLY INSTRUCTIONS**

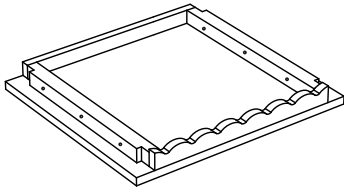


**Contour Scalloped Side Table**

# BOX COMPONENTS

---

(A)



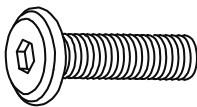
Top Structure | 1 piece

(B)



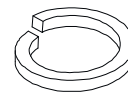
Legs | 2 pieces

(C)



Allen Bolt | 8 x 30 mm  
6 pieces

(D)



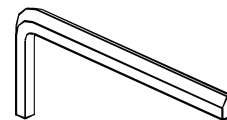
Lock Washer | 8 x 16 mm  
6 pieces

(E)



Flat Washer | 8 x 18 mm  
6 pieces

(F)

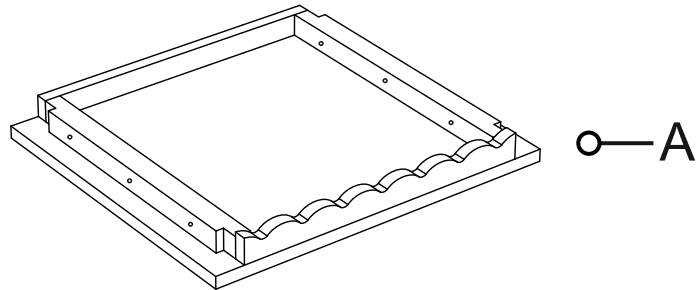


Allen Key | 5 mm  
1 pieces

# FOLLOW THE GIVEN STEP-BY-STEP PROCESS TO ASSEMBLE

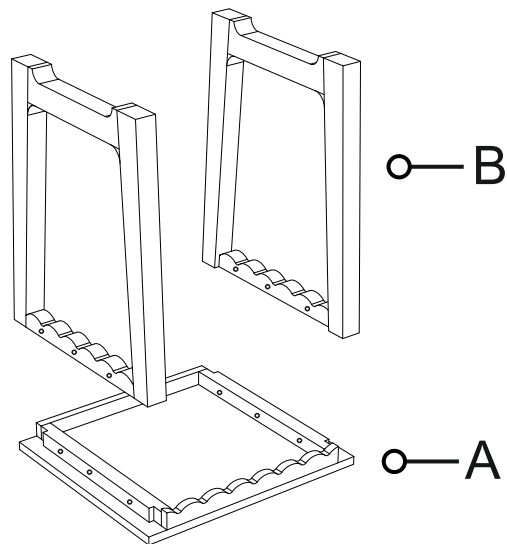
---

STEP  
**01**



Place the top structure (A) upside down on level surface.

STEP  
**02**

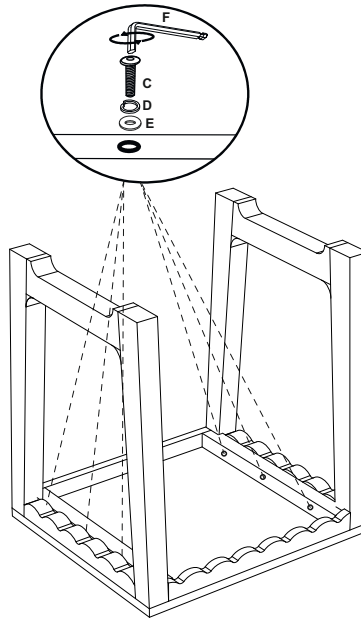


Place legs (B) in top bottom frame (A) as show in  
the reference picture.

# FOLLOW THE GIVEN STEP-BY-STEP PROCESS TO ASSEMBLE

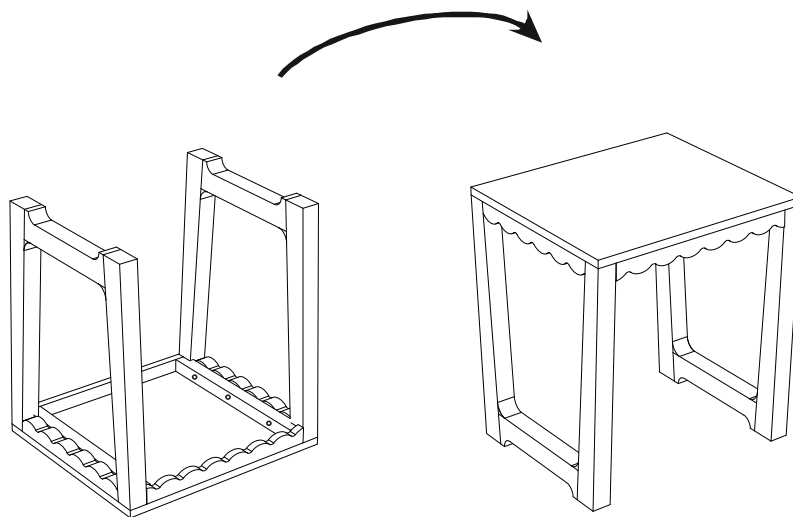
---

STEP  
**03**



Using key (F) tighten bolt (C), lock washer (D) and flat washer (E) to tighten the top frame (A) and legs (B) as show in the reference picture.

STEP  
**04**



Flip the table right side up on the legs.  
Adjustable levelers on the bottom of each leg can be used for additional leveling adjustments if needed. Assembly is now complete and the product is ready to use.