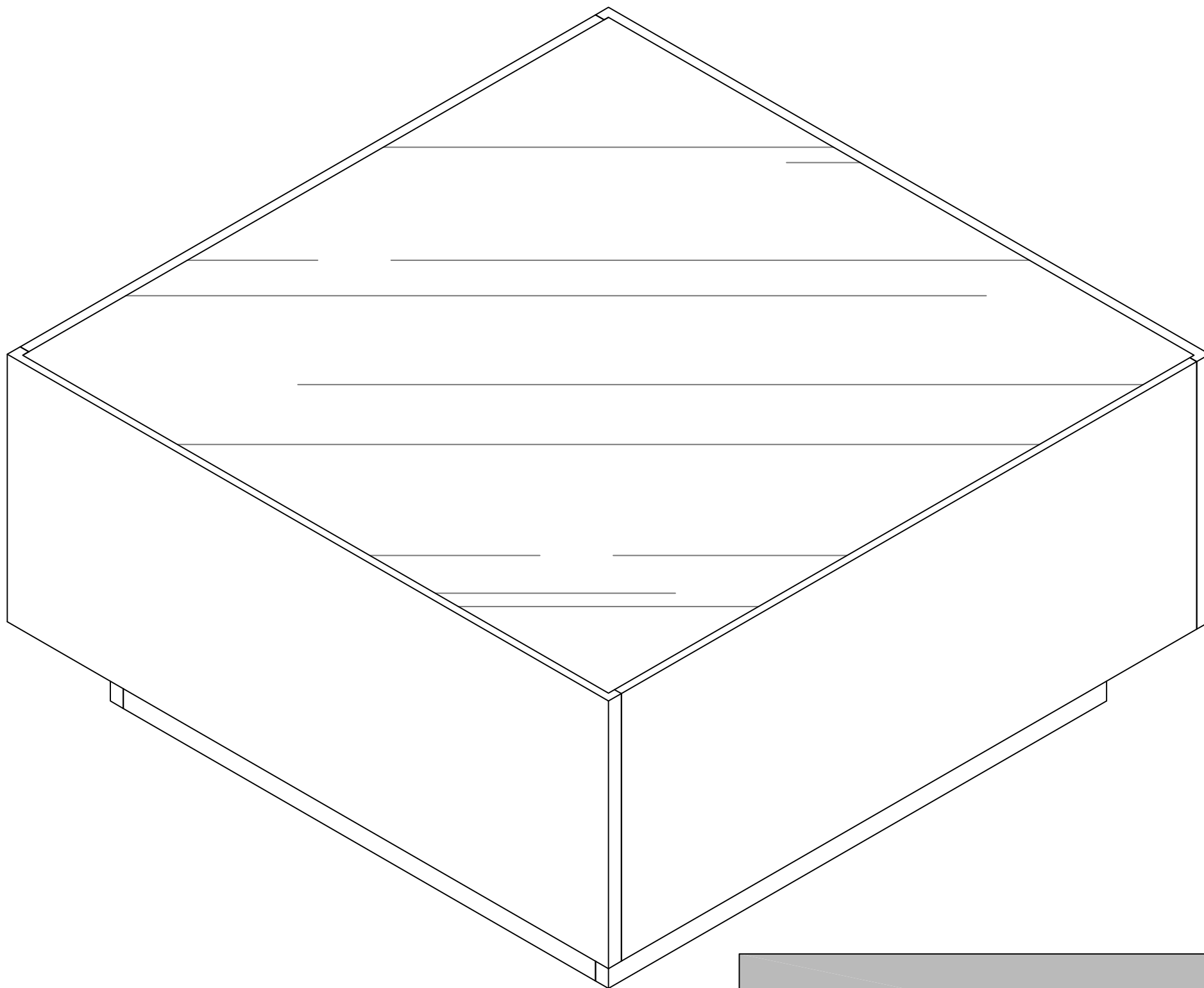


# Coffee Table

Assembly Instructions - Please keep for future reference



## Dimensions

Width-27.56inch

Depth-27.56inch

Height-13.78inch

Important - please read these instructions fully before starting assembly



# Safety and Care Advice

**Important – Please read these instructions fully before starting assembly**

- Check you have all the components and tools listed on the following pages.
- Remove all fittings from the plastic bags and separate them into their groups.
- Keep children and animals away from the work area, small parts could choke if swallowed.
- Make sure you have enough space to layout the parts before starting.

- During assembly do not stand or put weight on the product, this could cause damage.
- Assemble the item as close to its final position (in the same room) as possible.
- Assemble on a soft level surface to avoid damaging the unit or your floor.
- Parts of the assembly will be easier with 2 people.



power drill is set on a low torque setting.

- To reduce the likelihood of damaging your product please ensure that your

## Care and maintenance

- Only clean using a damp cloth and mild detergent, do not use bleach or abrasive cleaners.
- From time to time check that there are no loose screws on this unit.
- This product should not be discarded with household waste. Take to your local authority waste disposal centre.

## Handy Hints

- Assemble all parts and bolts loosely during assembly, only once the product is complete should you fully tighten the bolts
- Regularly check and ensure that all bolts and fittings are tightened properly.

**WARNING**  
**In order to help prevent overturning – please follow these instructions**

To help prevent product toppling over please follow the below steps:-

- Use the anti tip stap or wall fixing method provided (if applicable)
- Do not allow children to climb or hang on the furniture
- Do not open more than one drawer at a time
- Do not place heavy items in the top drawers
- Do not place heavy items on top of the furniture, unless the furniture has been designed for this purpose

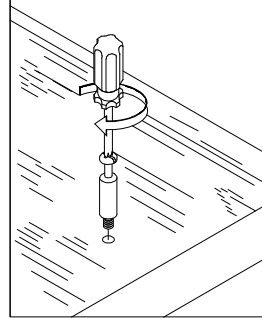
# Using Camlocks

## Step 1

Connect the male camlock as directed in the assembly instructions using a screwdriver.

1

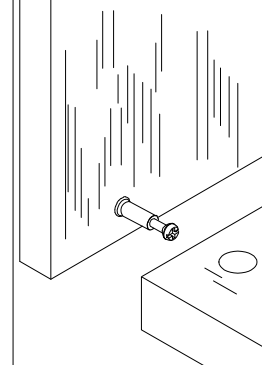
DO NOT OVER TIGHTEN.  
NE PAS SERRER EXCESSIVEMENT.



## Step 2

Push the male camlock into the entry hole.

2

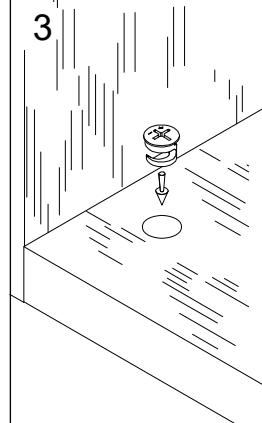


## Step 3

Insert the female camlock as shown in the instruction.

Note: ensure that the arrow on the top of the camlock points towards the entry hole for the male camlock.

3



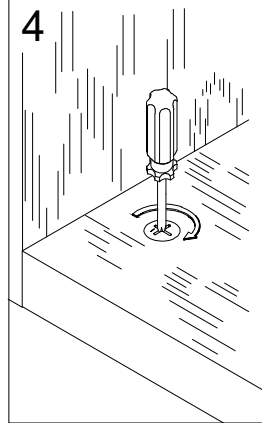
## Step 4

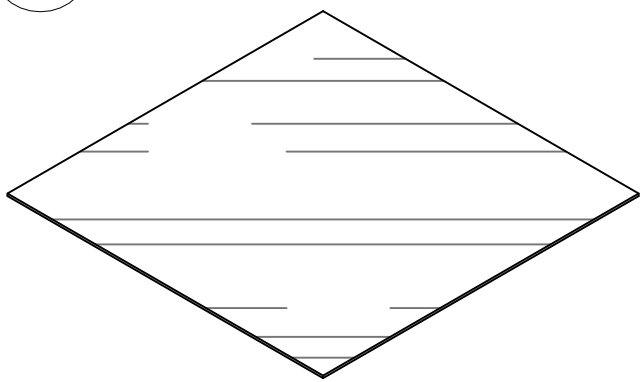
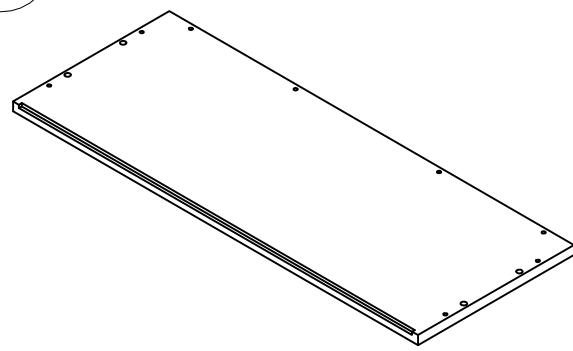
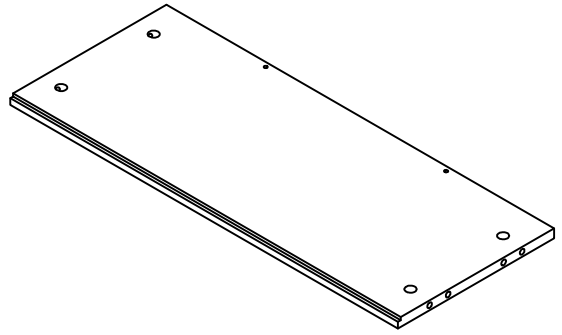
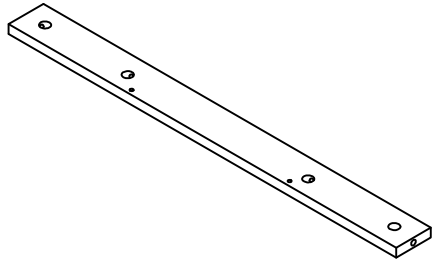
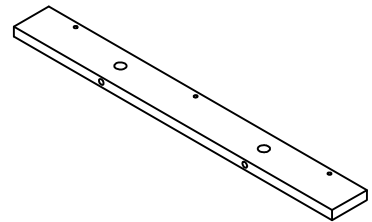
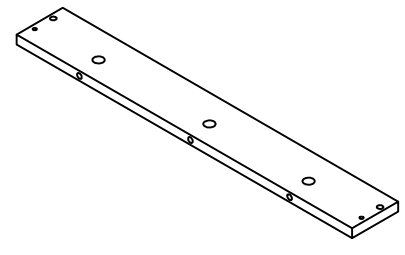
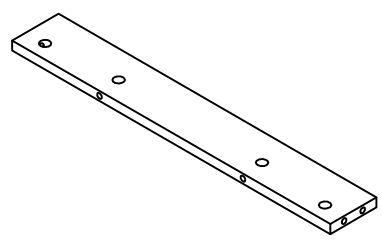
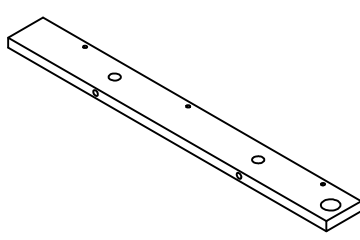
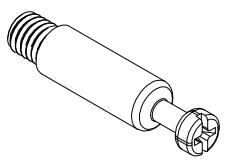
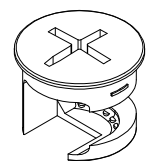
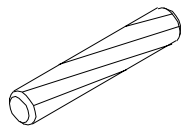
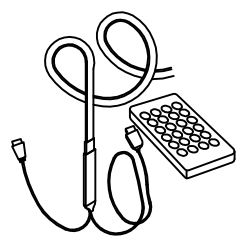
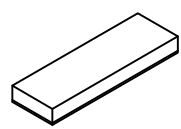
Turn the female camlock clockwise with a screwdriver.

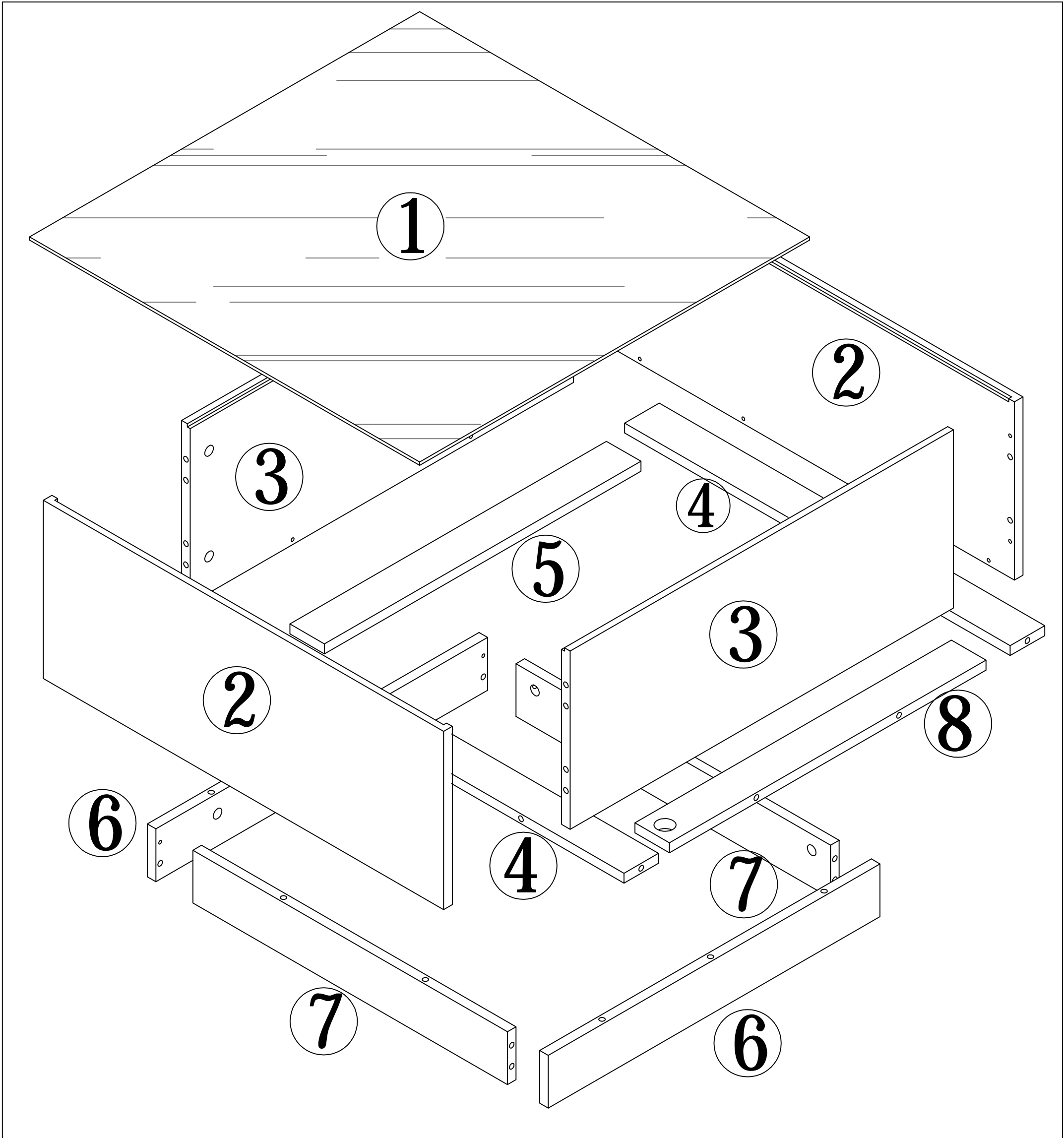
You should feel a click when the camlock is locked in place.

The joint is now secure.

4

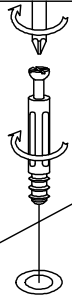
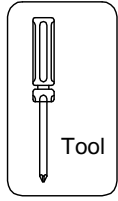


|  |  |   |  |   |  |
|--|--|---|--|---|--|
| <p>①</p>  <p>682x682x5mm 1PC</p>     | <p>②</p>  <p>700x270x15mm 2PCS</p> | <p>③</p>  <p>670x270x15mm 2PCS</p>                                   |  |   |  |
| <p>④</p>  <p>670x60x15mm 2PCS</p> | <p>⑤</p>  <p>550x60x15mm 1PC</p> | <p>⑥</p>  <p>580x80x15mm 2PCS</p>                                  |  |   |  |
| <p>⑦</p>  <p>550x80x15mm 2PCS</p> | <p>⑧</p>  <p>550x60x15mm 1PC</p> |   |  |   |  |
| <p><b>A</b></p>  <p>34+2PCS</p>   | <p><b>B</b></p>  <p>34+2PCS</p>   | <p><b>C</b></p> <p><math>\phi 8*30\text{mm}</math></p>  <p>12PCS</p> | <p><b>D</b></p>  <p>1PC</p> | <p><b>E</b></p>  <p>8+1PCS</p> |  |

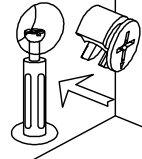
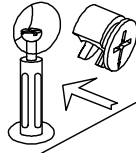


"B" Hardware  
installation example

I



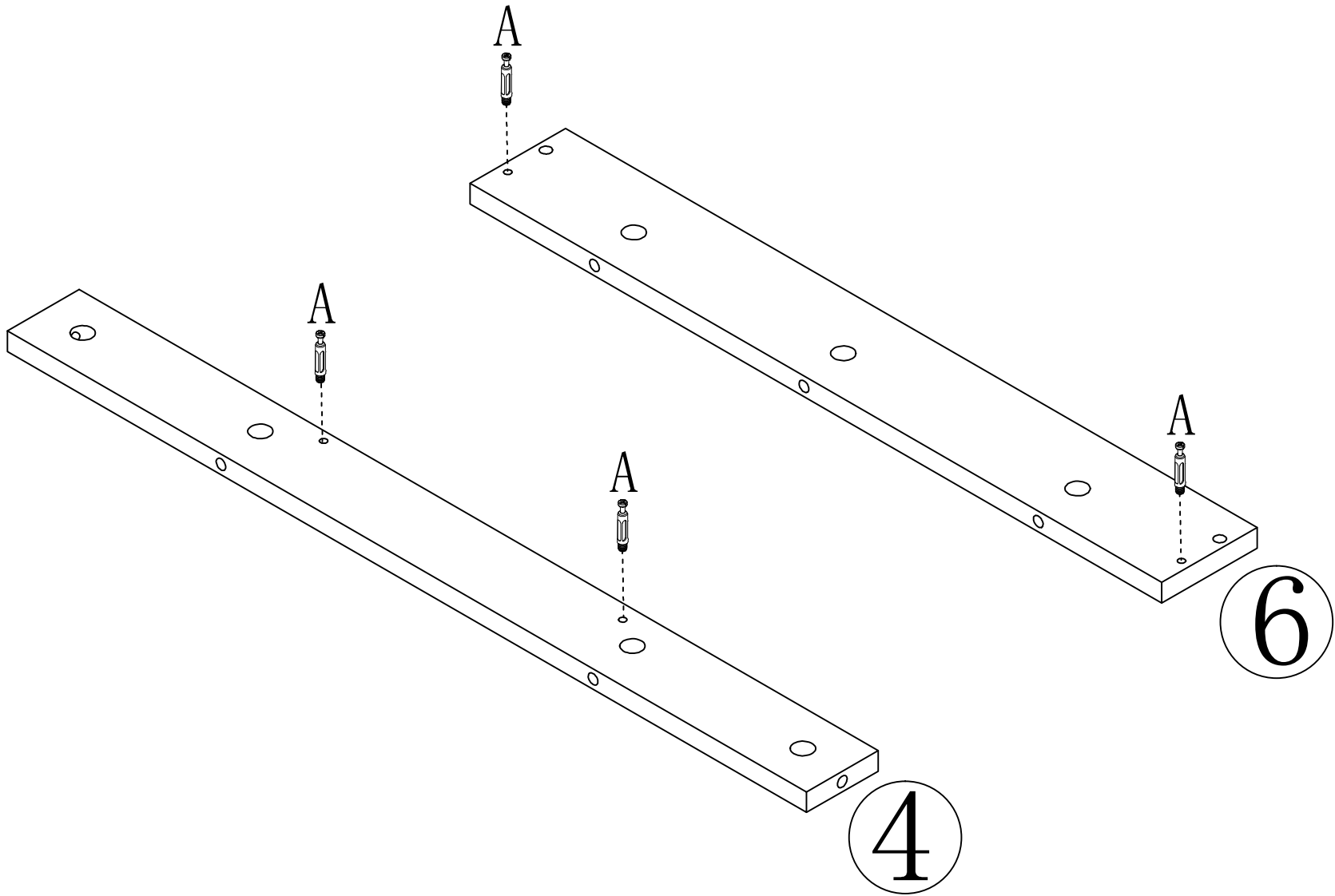
II



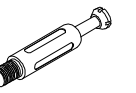
III



STEP 1 \*2

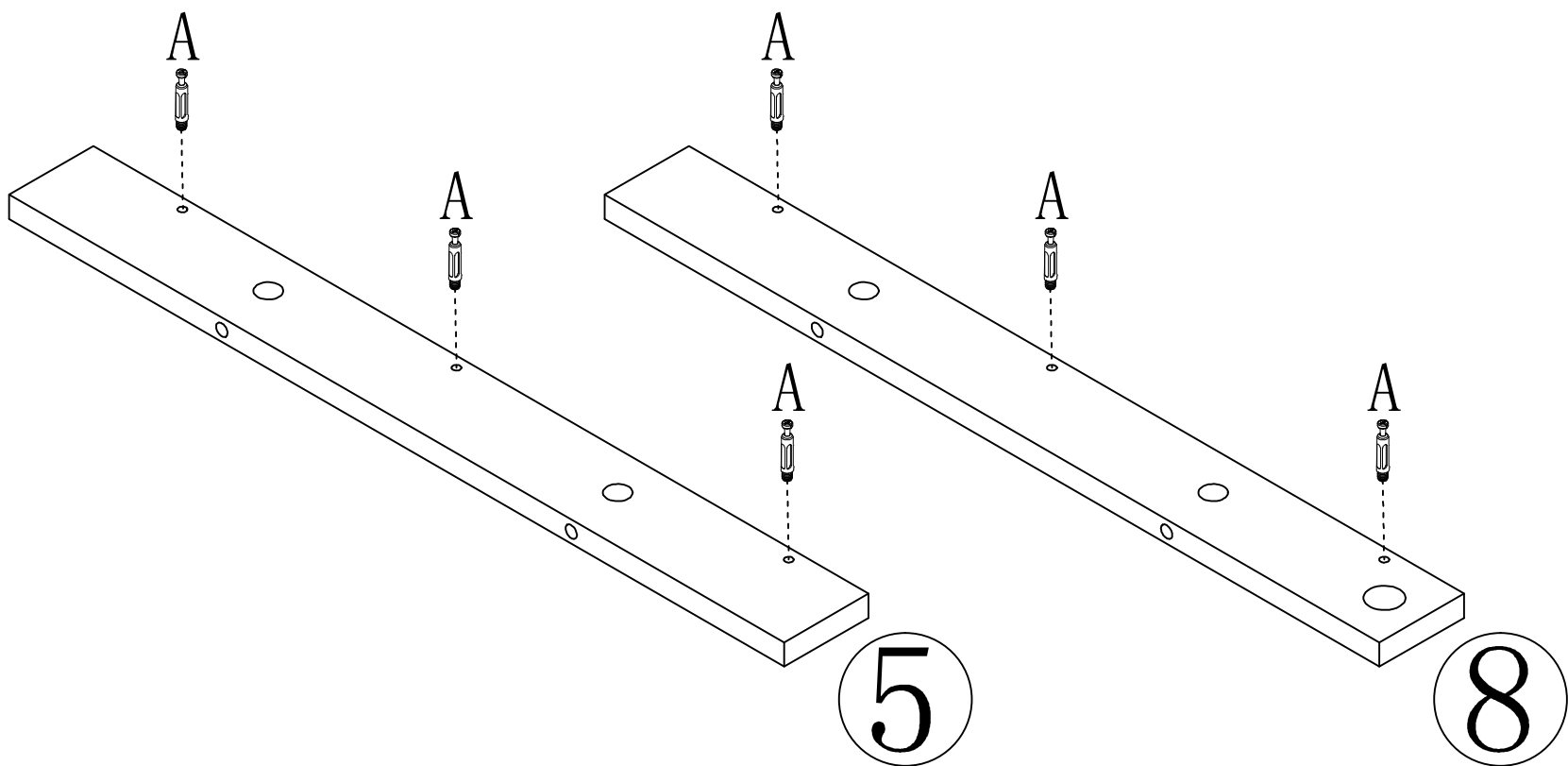


A

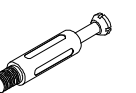


8PCS

STEP 2

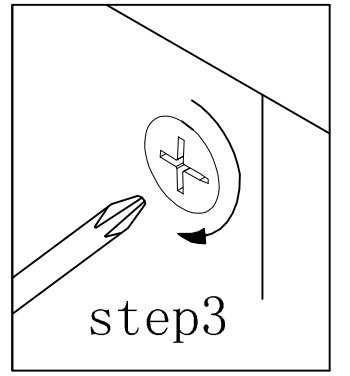
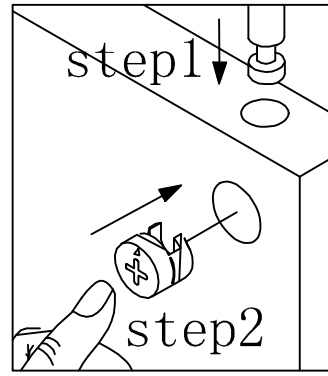
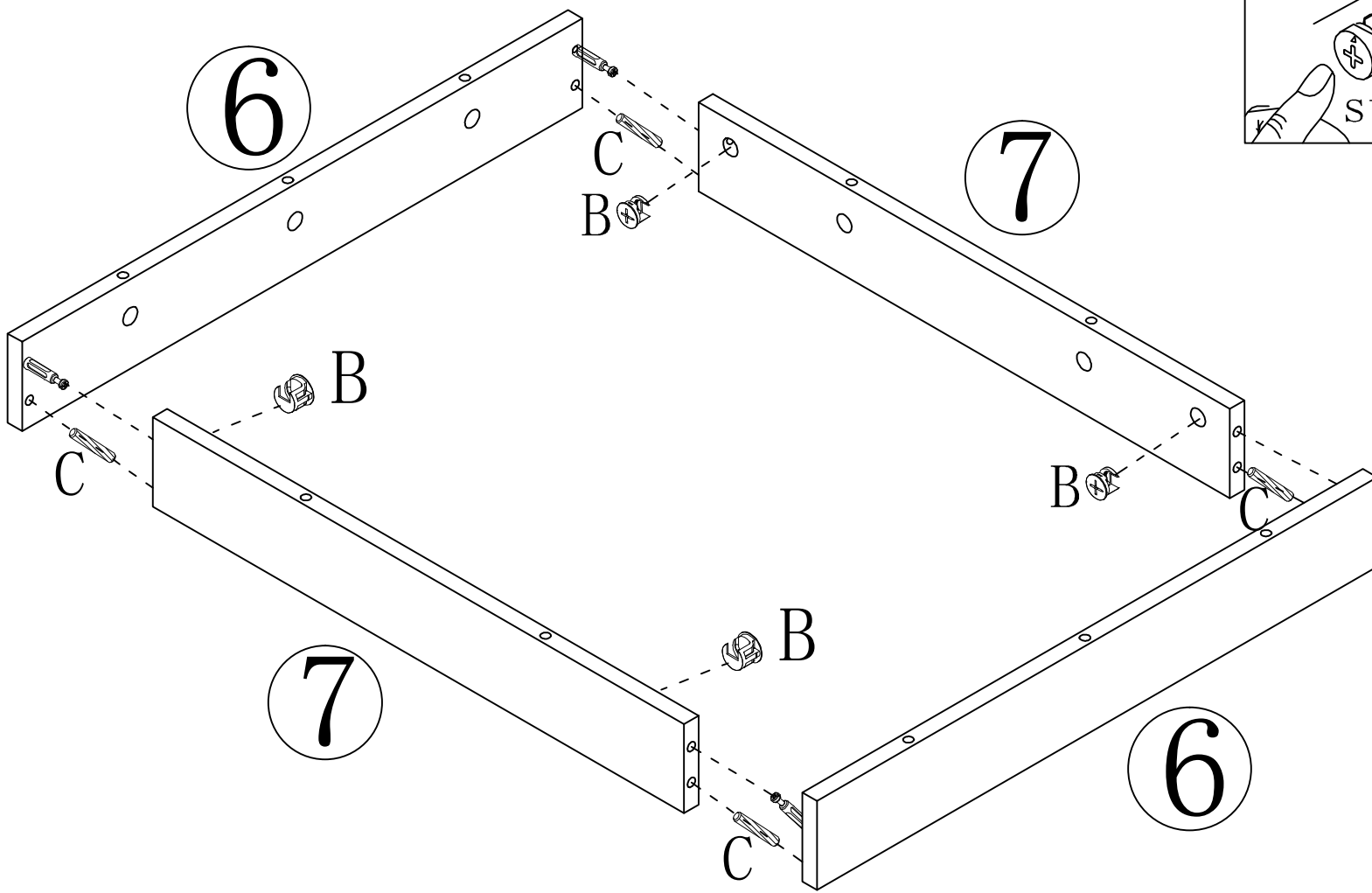




A



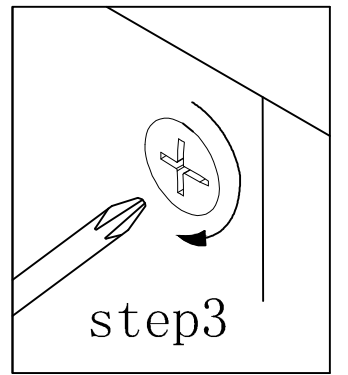
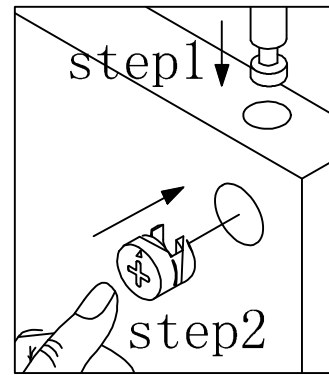
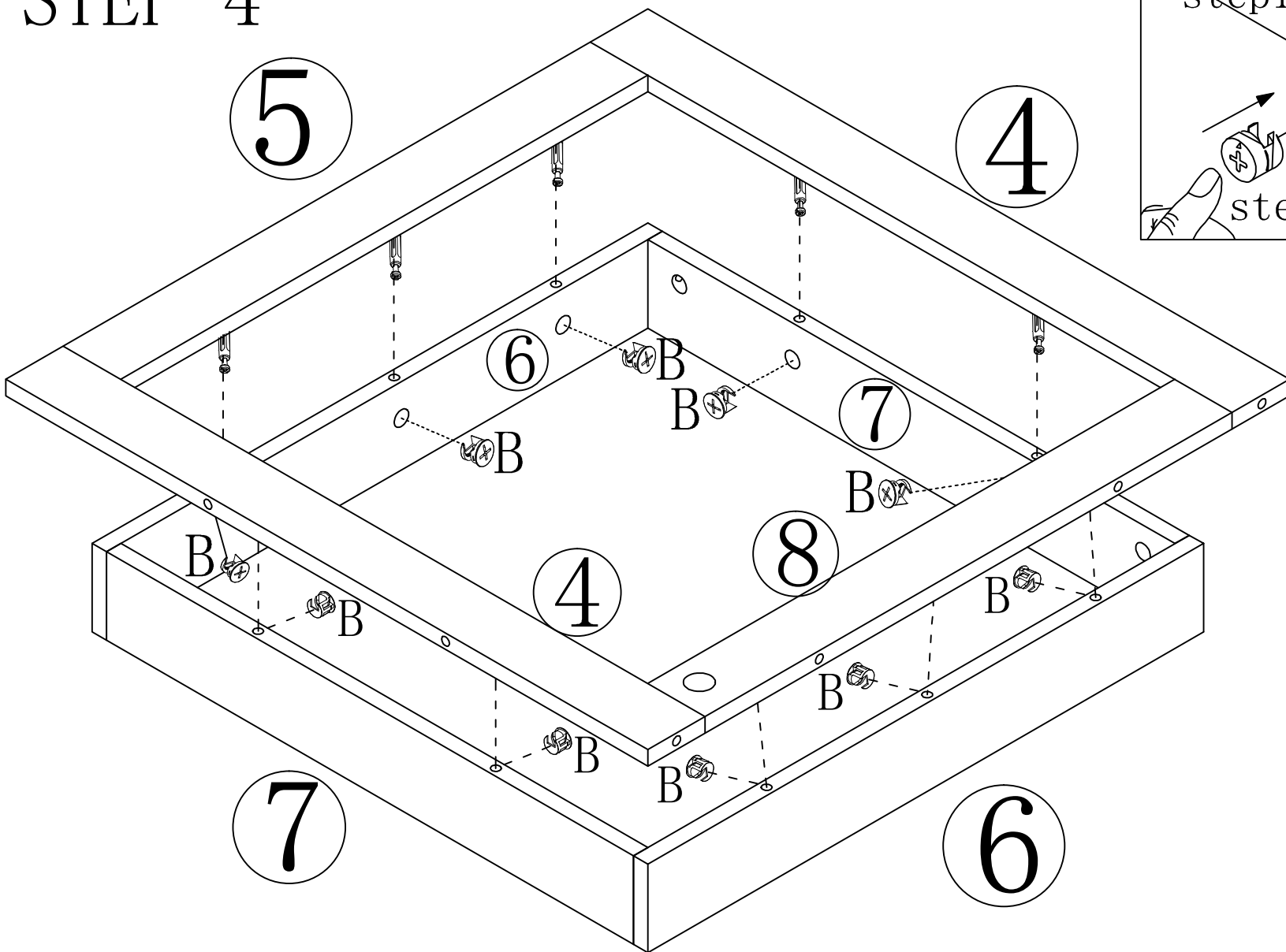
6PCS


# STEP 3



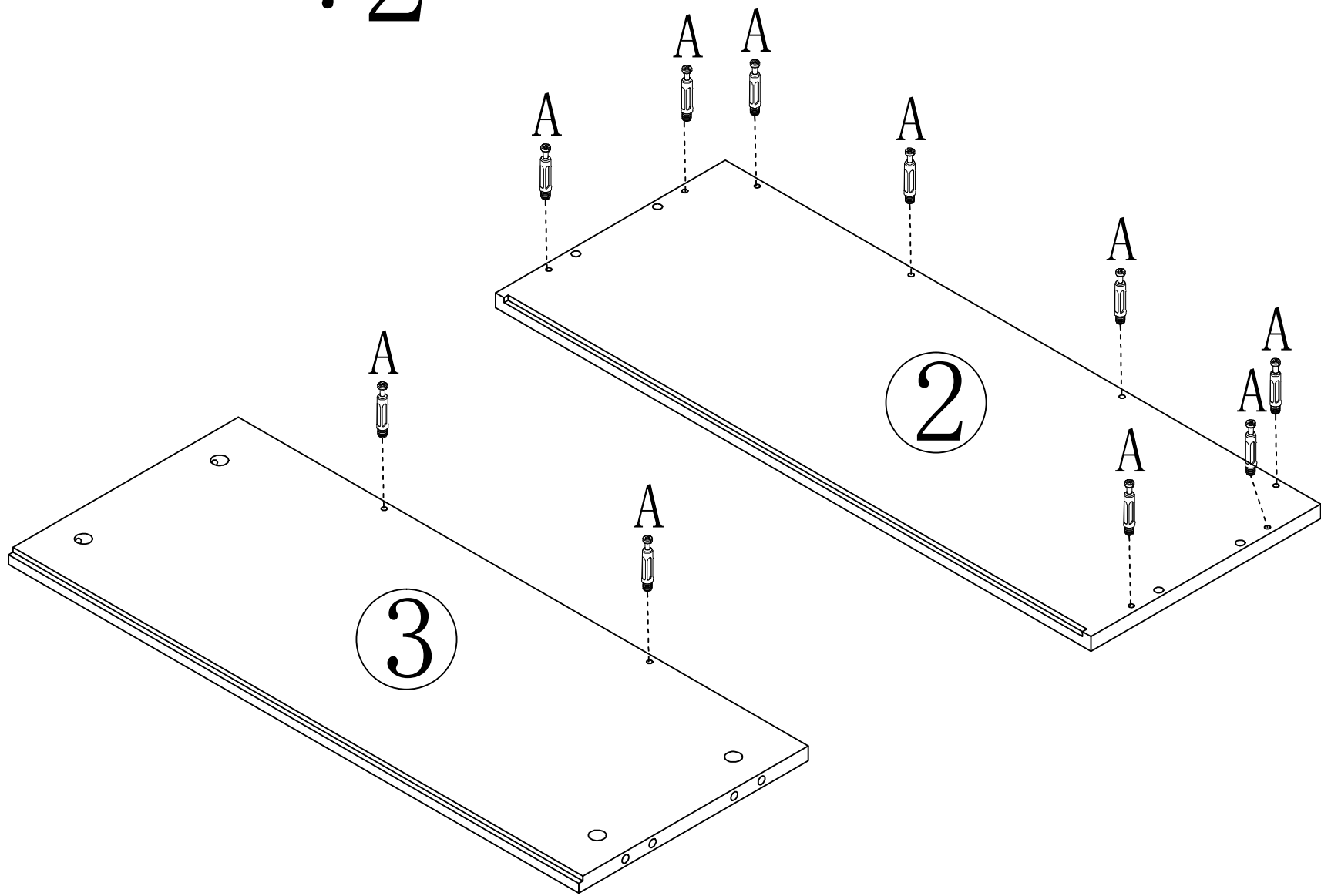
|   |   |
|---|---|
| <b>B</b><br><br>4PCS | <b>C</b><br><br>4PCS |
|---|---|

# STEP 4

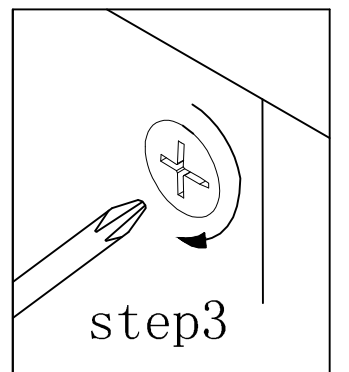
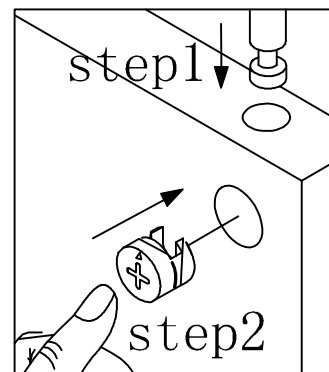
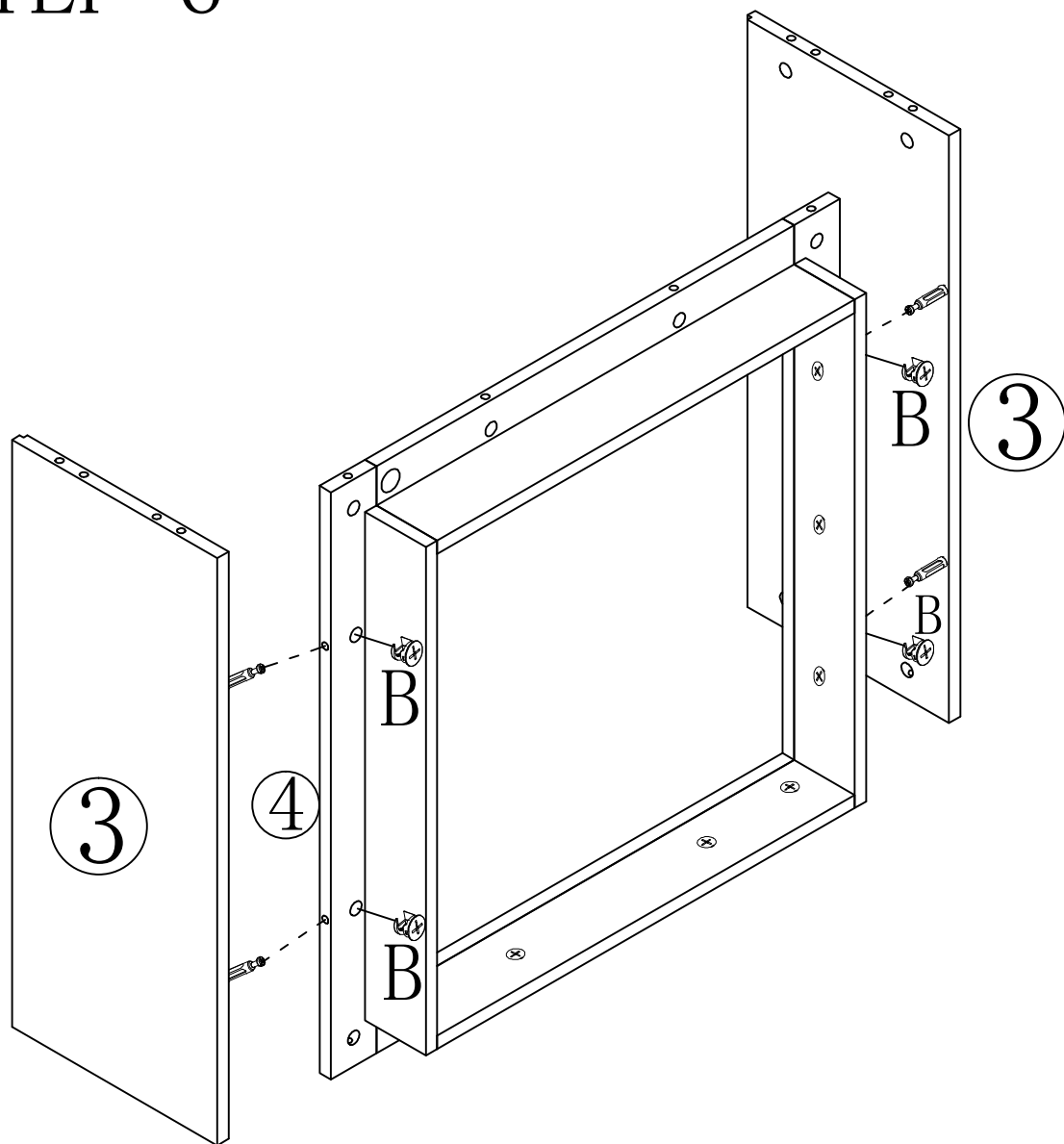


|  |
|--|
| <b>B</b><br><br>10PCS |
|--|

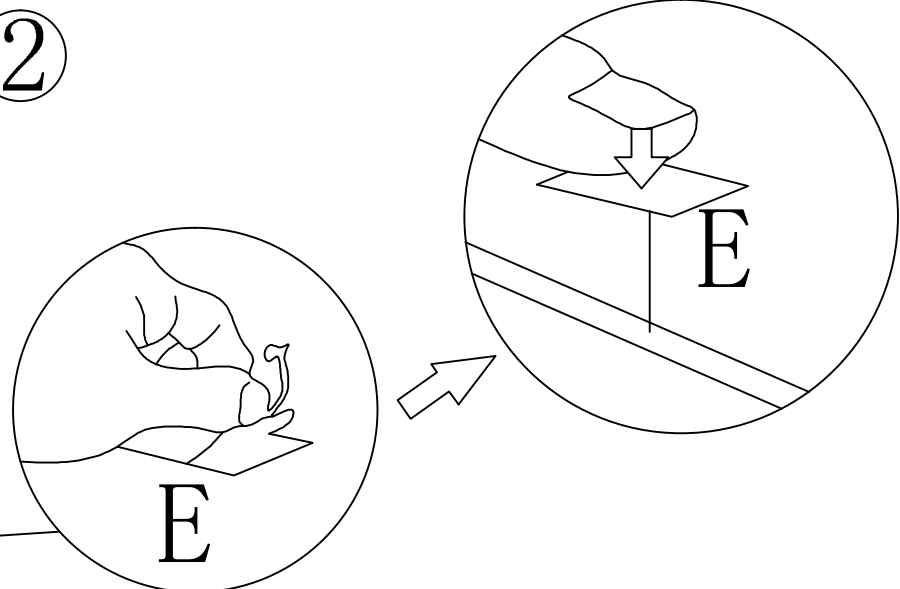
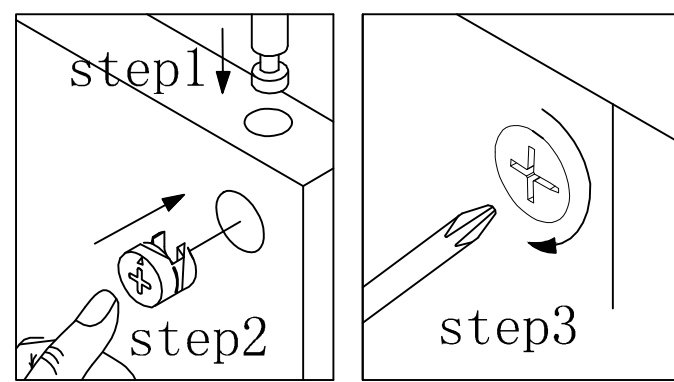
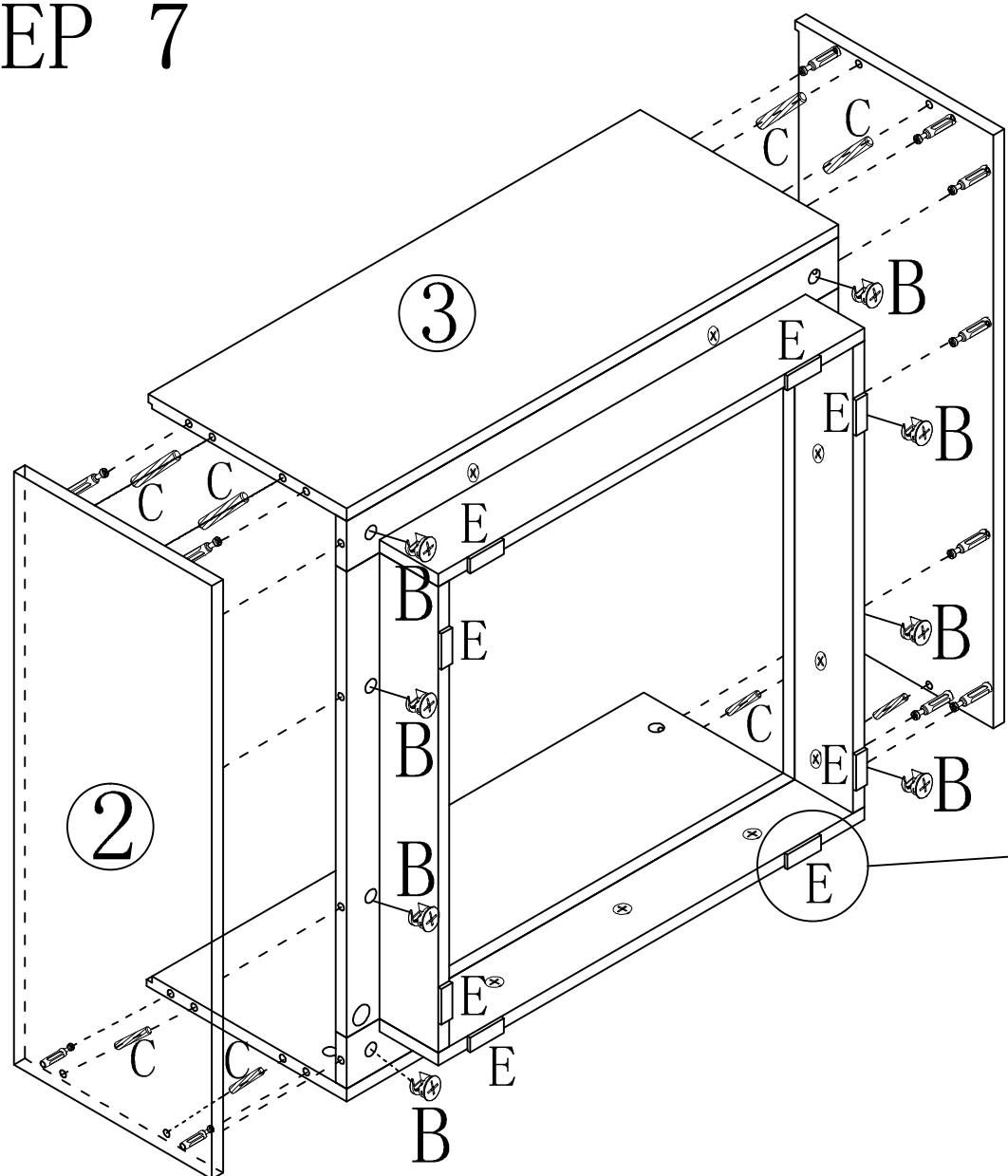
# STEP 5 \*2


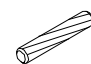
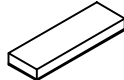


# STEP 6

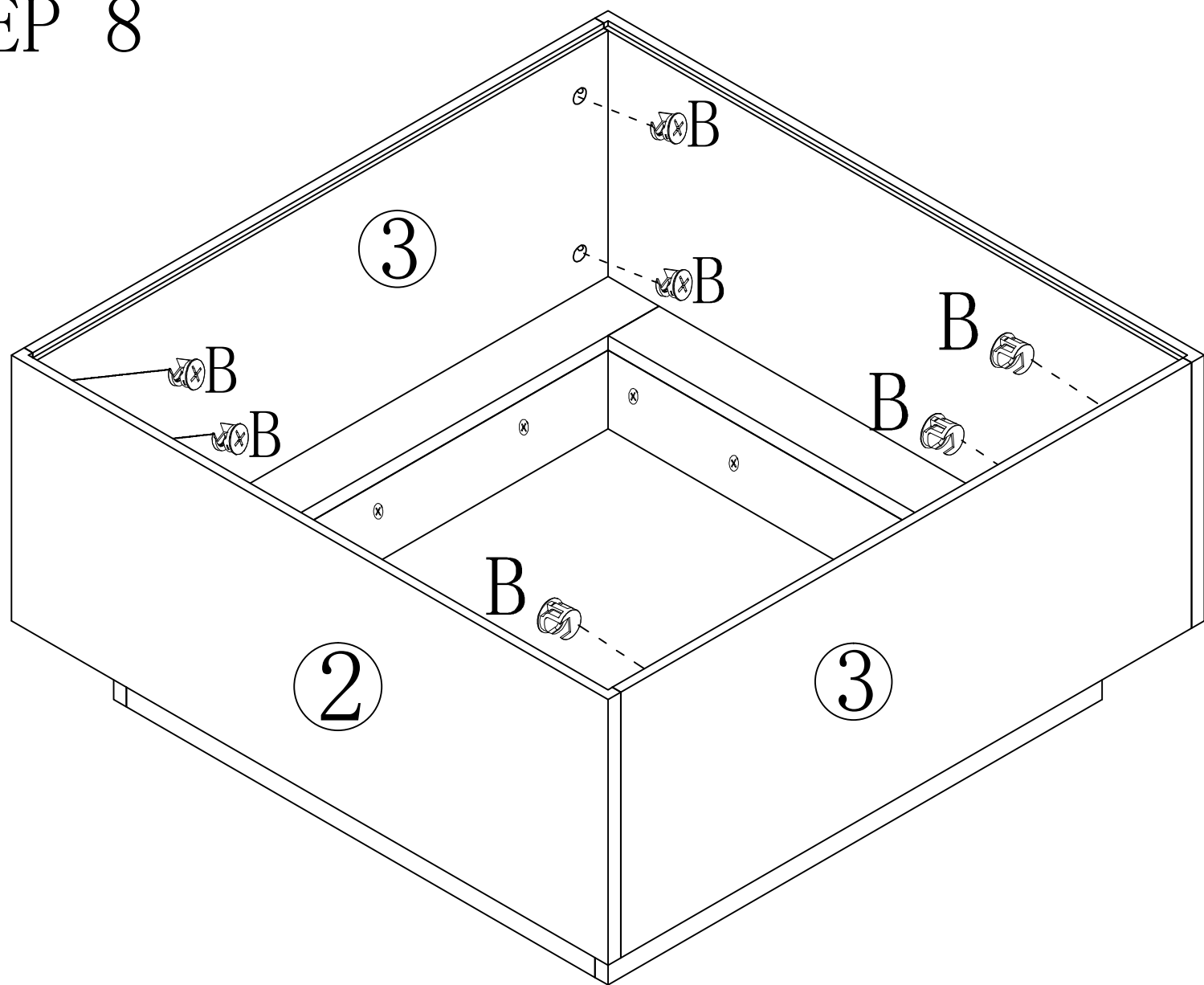


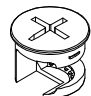
# STEP 7



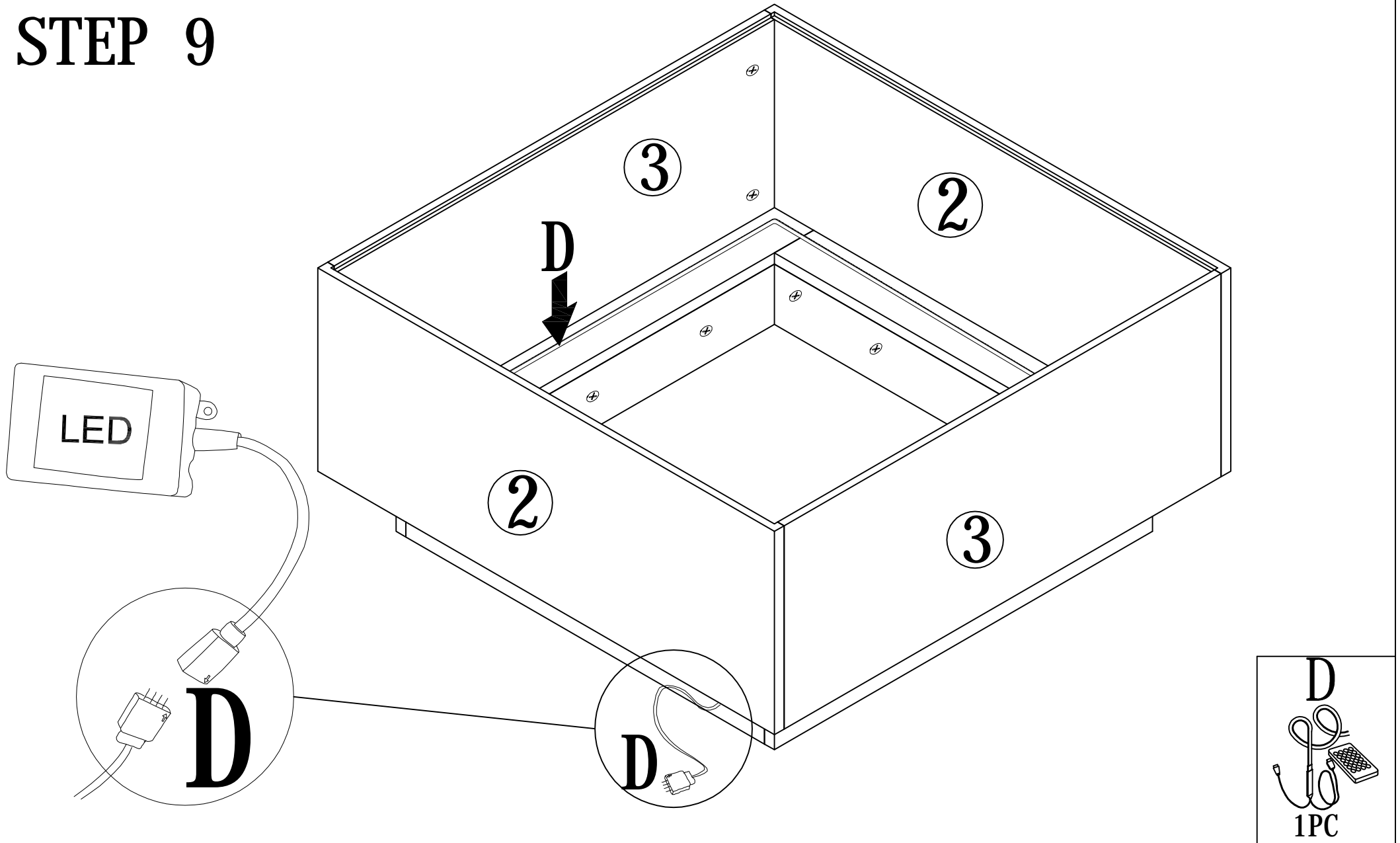
|   |   |   |
|---|---|---|
| <p><b>B</b></p>  <p>8PCS</p> | <p><b>C</b></p>  <p>8PCS</p> | <p><b>E</b></p>  <p>8PCS</p> |
|---|---|---|

# STEP 8



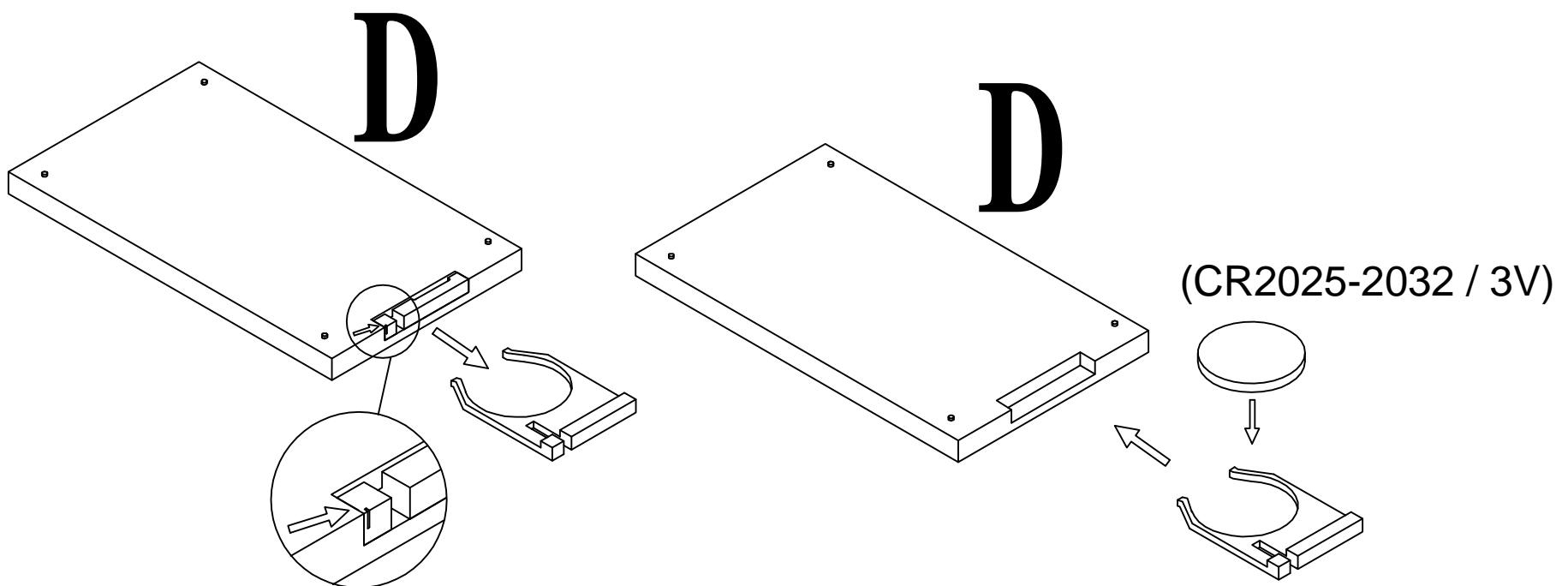
|   |
|---|
| <p><b>B</b></p>  <p>8PCS</p> |
|---|

# STEP 9

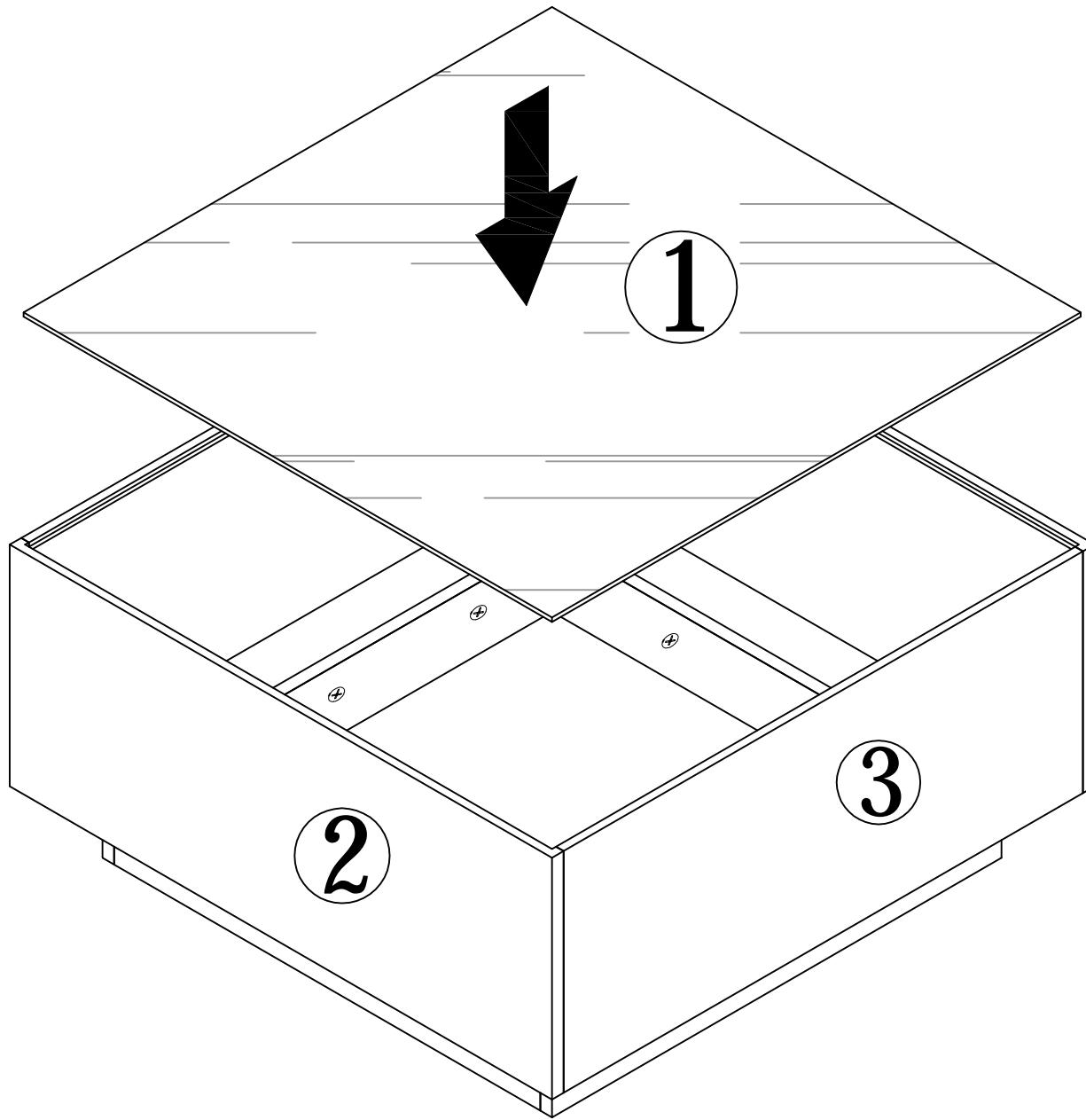


# STEP 10

Note: Please note that the remote control does not have batteries installed for transport safety. The battery model is (CR2025-2032 / 3V). Please follow the steps for assembling the battery behind the remote control.



# STEP 11



# STEP 12

