

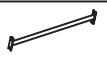







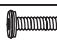
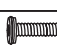
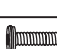



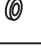





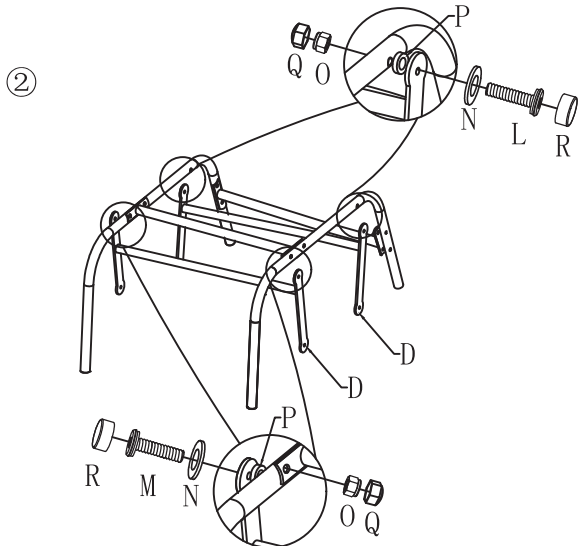
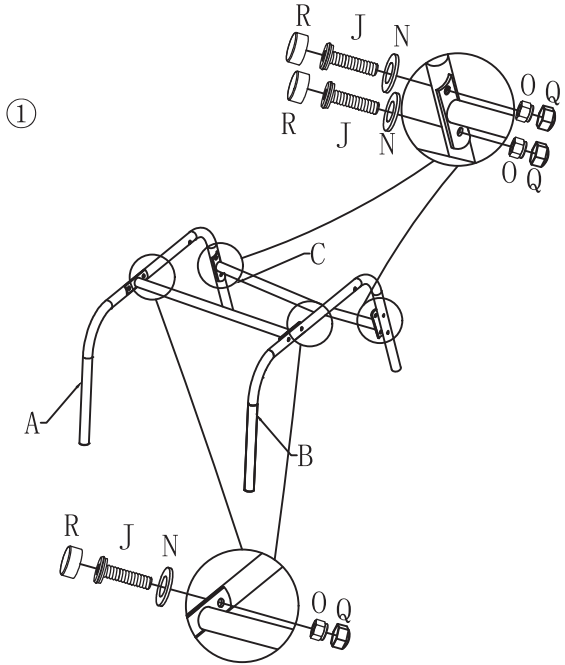
USER'S MANUAL Glider Chair

THIS INSTRUCTION BOOKLET CONTAINS **IMPORTANT** SAFETY INFORMATION. PLEASE READ AND KEEP FOR FUTURE REFERENCE.

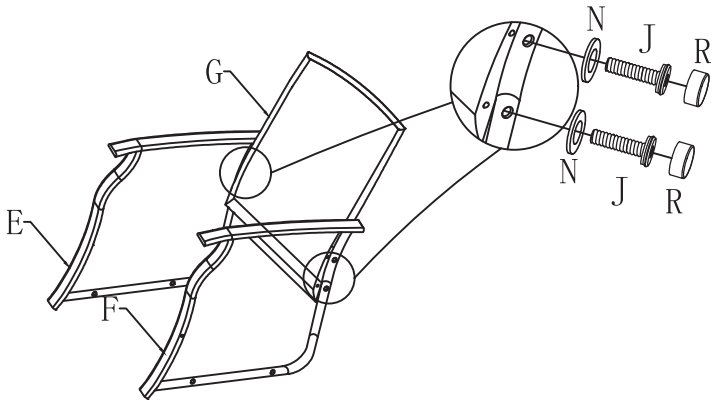
Before You Start

- ⦿ Please read all instructions carefully.
- ⦿ Retain instructions for future reference.
- ⦿ Separate and count all parts and hardware.
- ⦿ Read through each step carefully and follow the proper order.
- ⦿ We recommend that, where possible, all items are assembled near to the area in which they will be placed in use, to avoid moving the product unnecessarily once assembled.
- ⦿ Always place the product on a flat, steady and stable surface.
- ⦿ Keep all small parts and packaging materials for this product away from babies and children as they potentially pose a serious choking hazard.

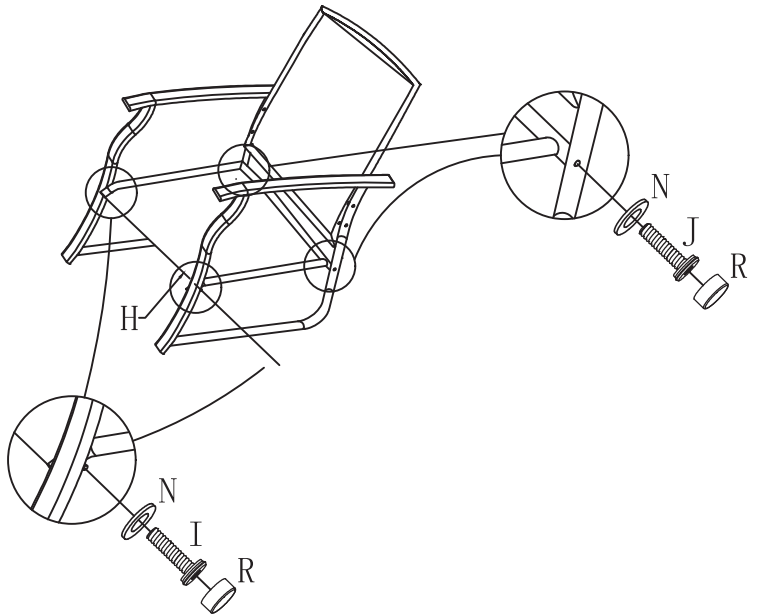
A		1
B		1
C		2
D		2
E		1
F		1
G		1
H		1
I	 M6*15	2
J	 M6*35	12
K	 M6*50	4
L	 M6*53	2
M	 M6*58	2
N		22
O		14
P		8
Q		14
R		22
S		1
T		1



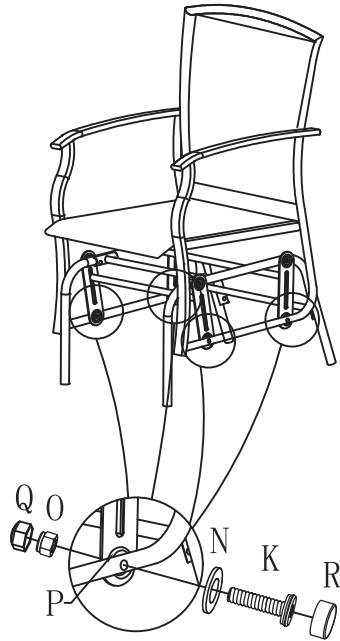
③



④



⑤



⑥

