

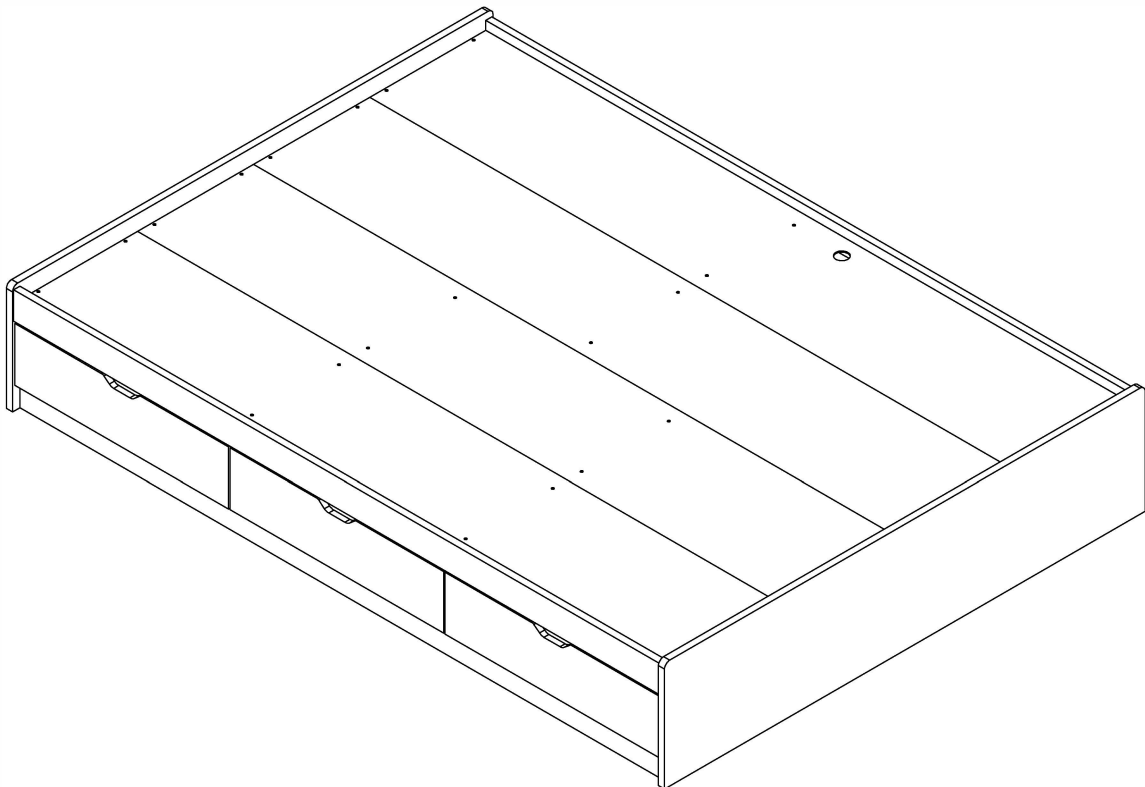
ASSEMBLY INSTRUCTION

PLEASE READ BEFORE ASSEMBLING!

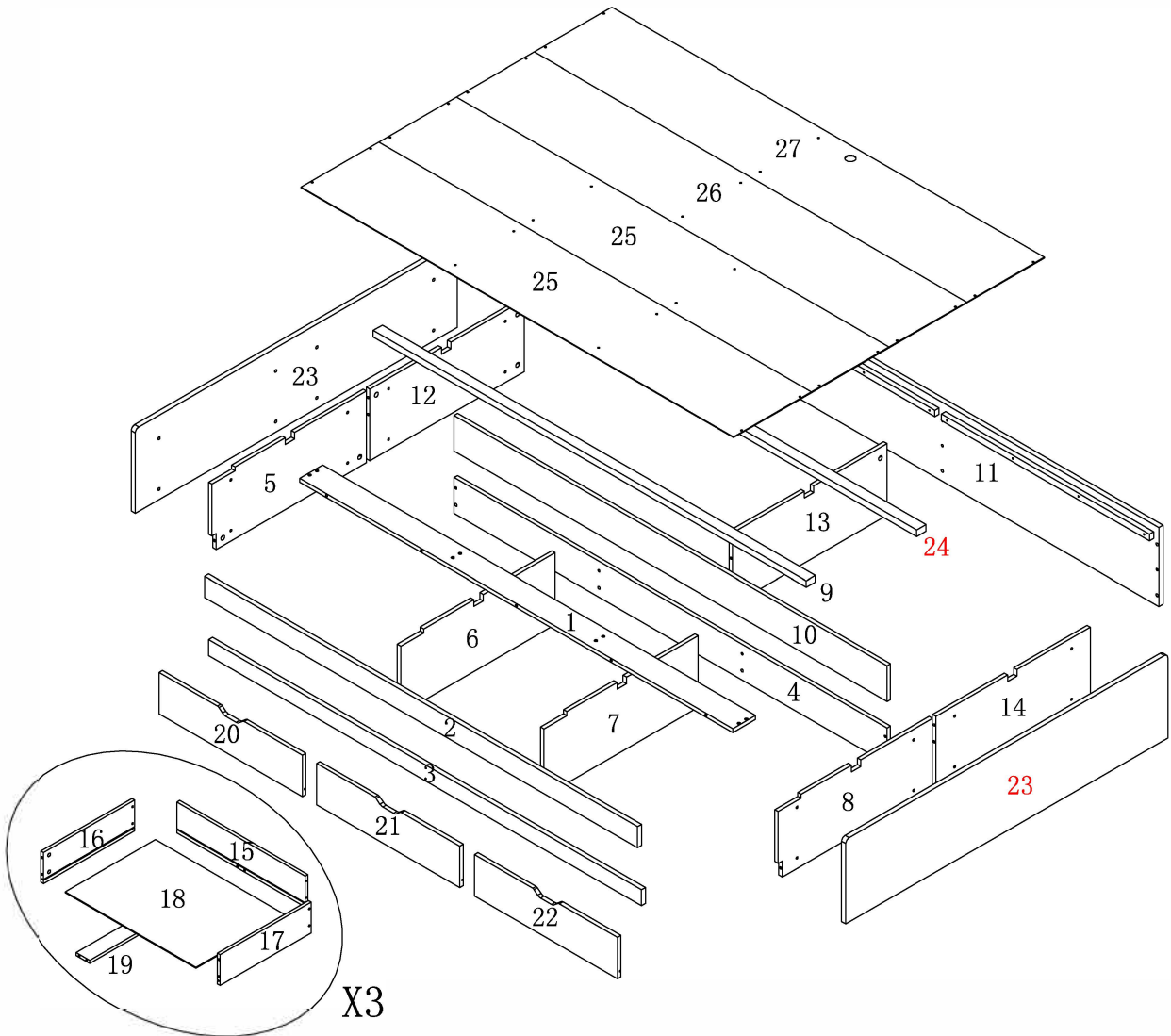
Tip #1: Make sure you've taken all the pieces and hardware out of its packaging before discarding the box. Assembly on top of flattened box/blanket is recommended.

Tip #2: Using page 2 and/or page 3 of instruction manual make sure all pieces and hardware are accounted for.

Tip #3: Note position of all holes on each panel during assembly.



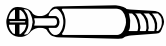

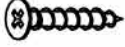
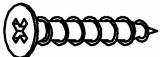







PARTS IDENTIFICATION



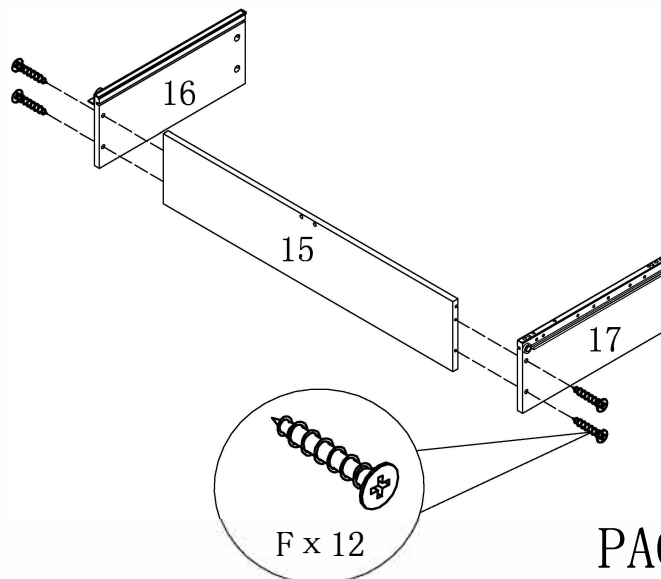
(1)	1pc	(10)	1pc	(19)	3pcs
(2)	1pc	(11)	1pc	(20)	1pc
(3)	1pc	(12)	1pc	(21)	1pc
(4)	1pc	(13)	1pc	(22)	1pc
(5)	1pc	(14)	1pc	(23)	2pcs
(6)	1pc	(15)	3pcs	(24)	1pc
(7)	1pc	(16)	3pcs	(25)	2pcs
(8)	1pc	(17)	3pcs	(26)	1pc
(9)	1pc	(18)	3pcs	(27)	1pc

HARDWARE IDENTIFICATION

A		L29	20pcs
B		∅15	20pcs
C		L20	12pcs
D		∅12	12pcs
E		∅4 x 20	28pcs
F		∅4 x 30	26pcs
H		∅8 x 25	12pcs
I		∅6 x 30	6pcs
J		M6 x 25	16pcs
K		∅16	22pcs
L		Glue: For securing please apply to wood dowel first before inserting into panel	1pc

ASSEMBLY INSTRUCTION

x3

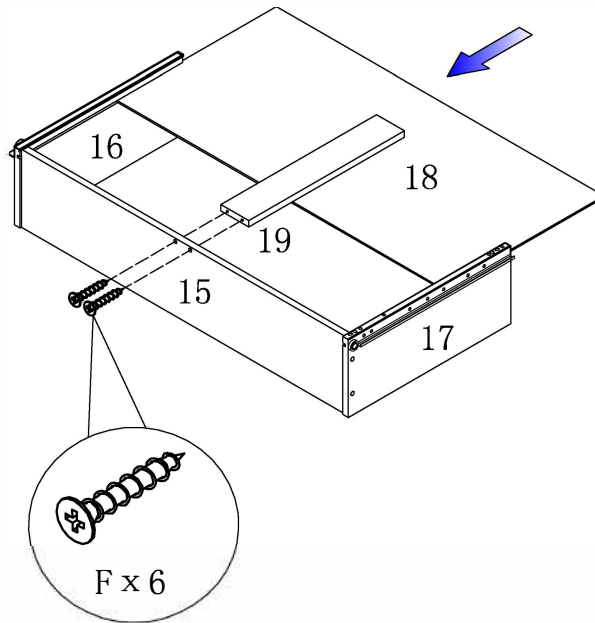


STEP1

PAGE 3 OF 12

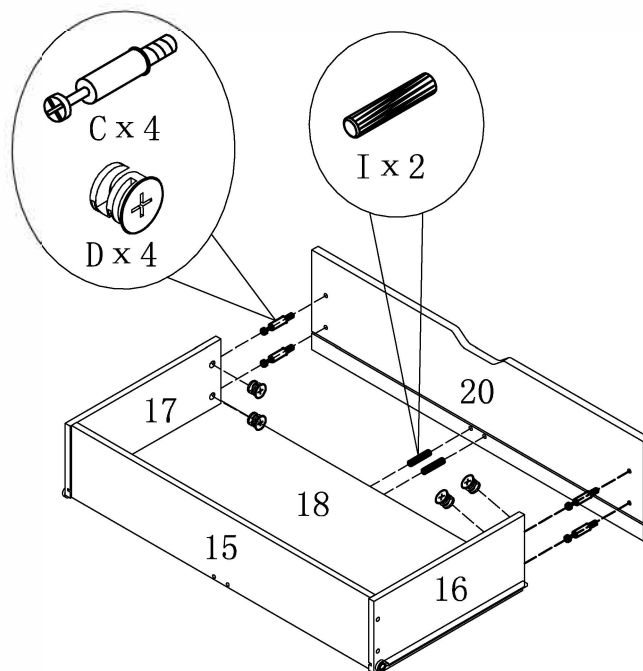
ASSEMBLY INSTRUCTION

x3

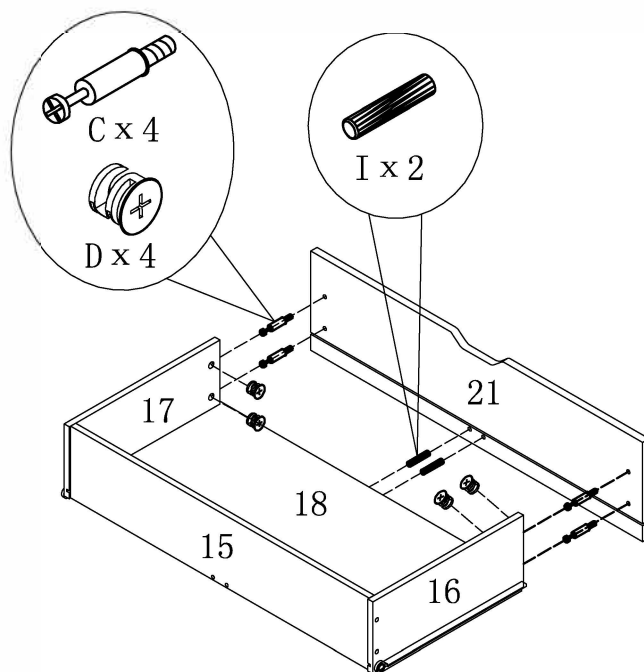


STEP2

STEP3

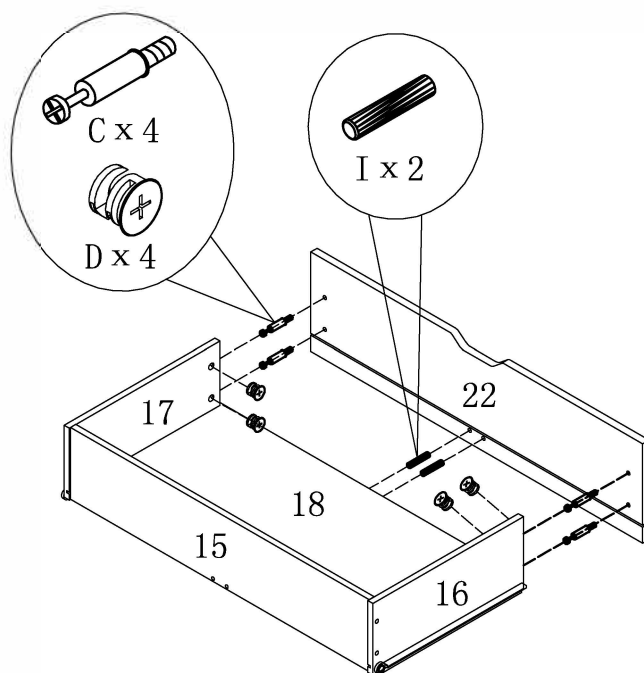


ASSEMBLY INSTRUCTION

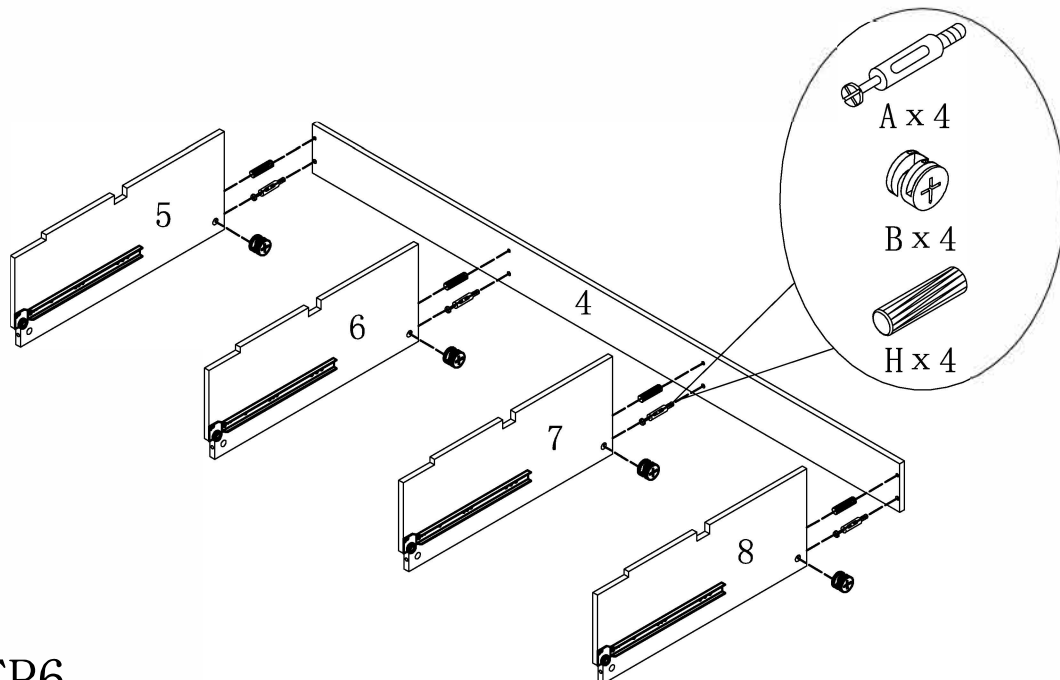


STEP4

STEP5

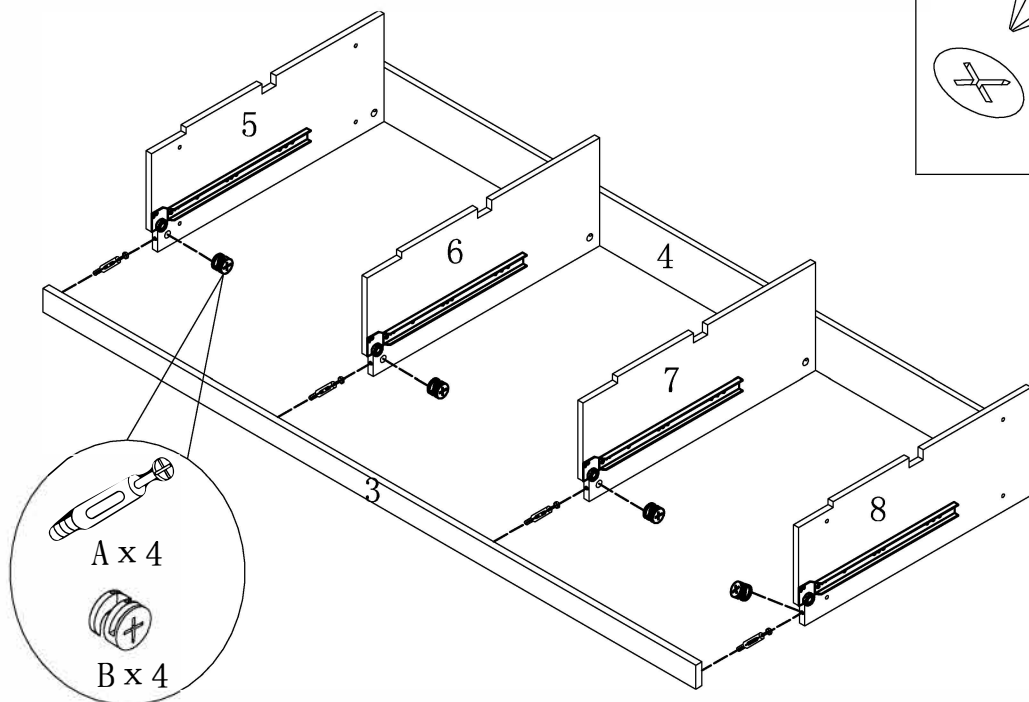


ASSEMBLY INSTRUCTION

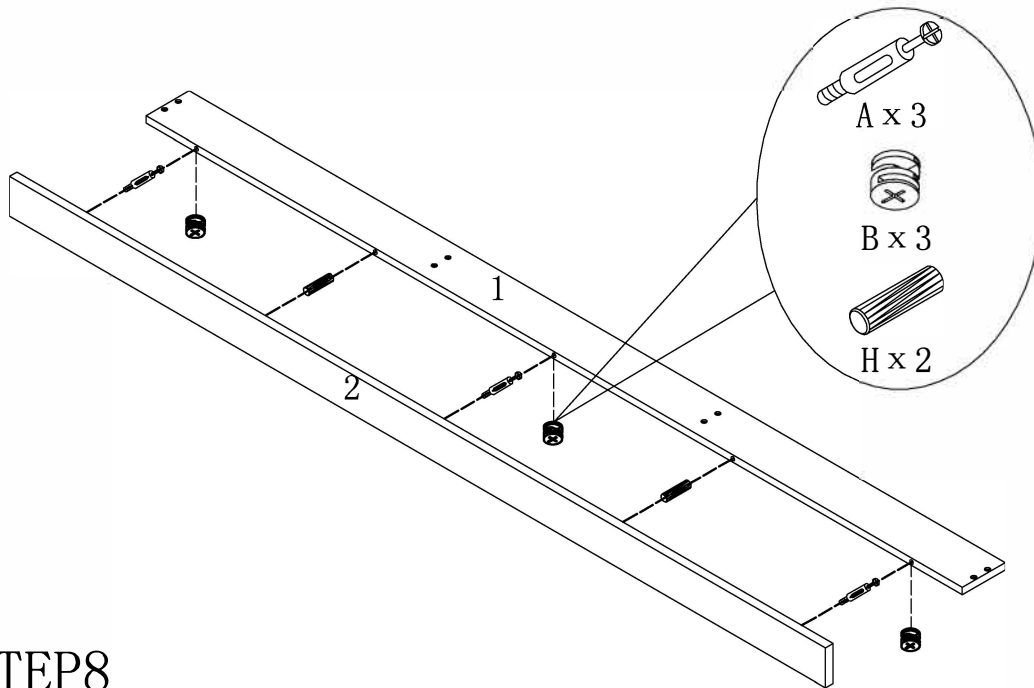


STEP6

STEP7

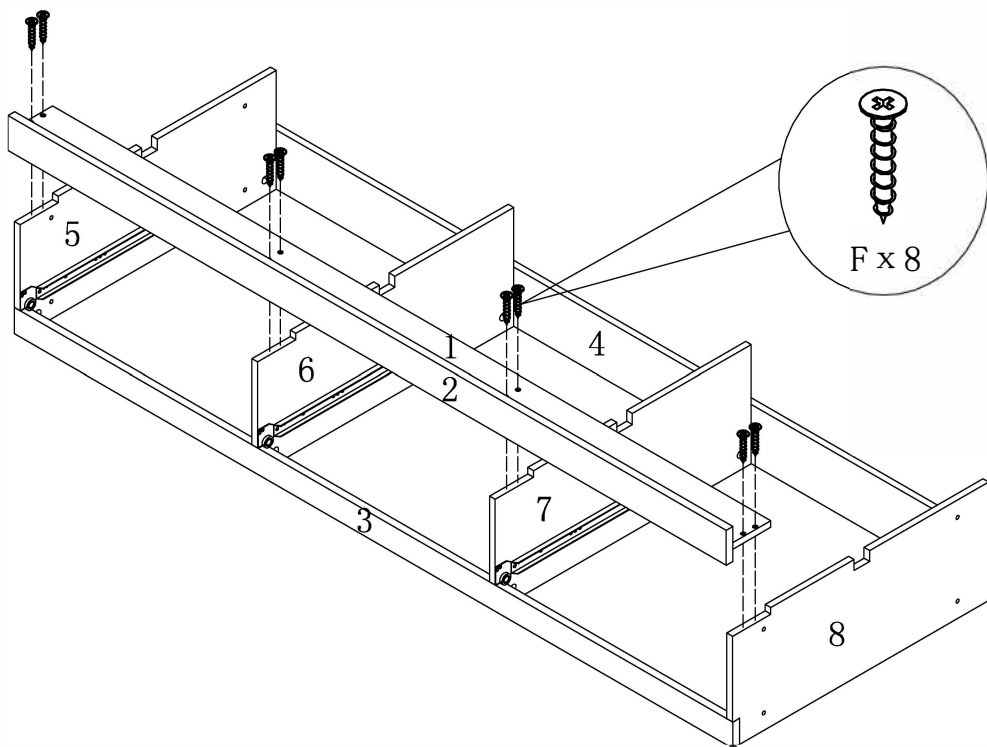


ASSEMBLY INSTRUCTION

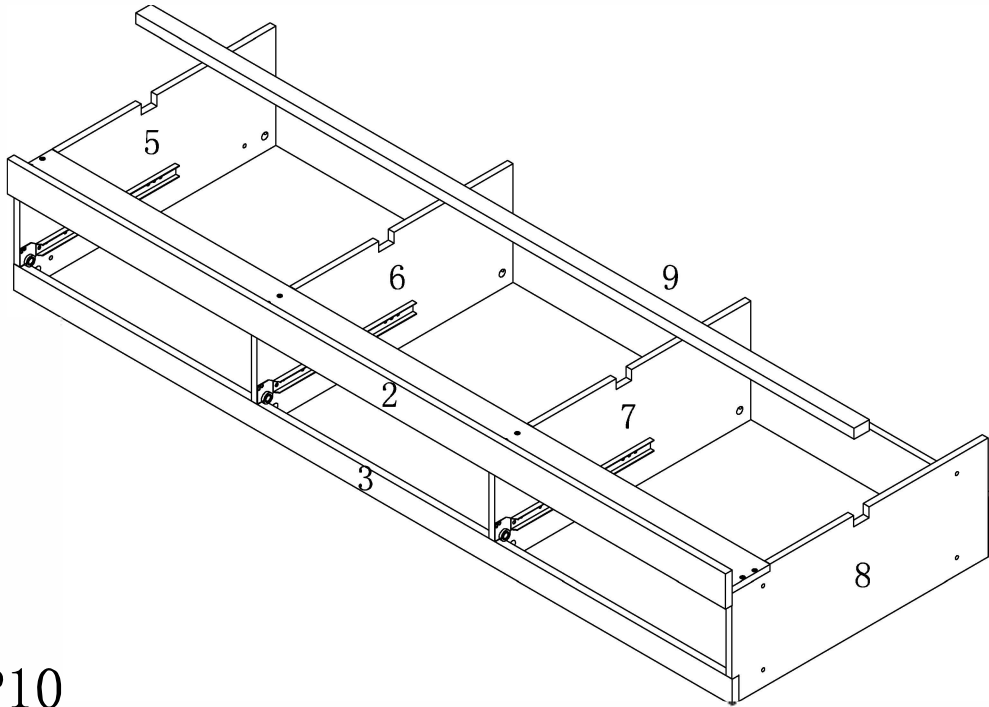


STEP8

STEP9

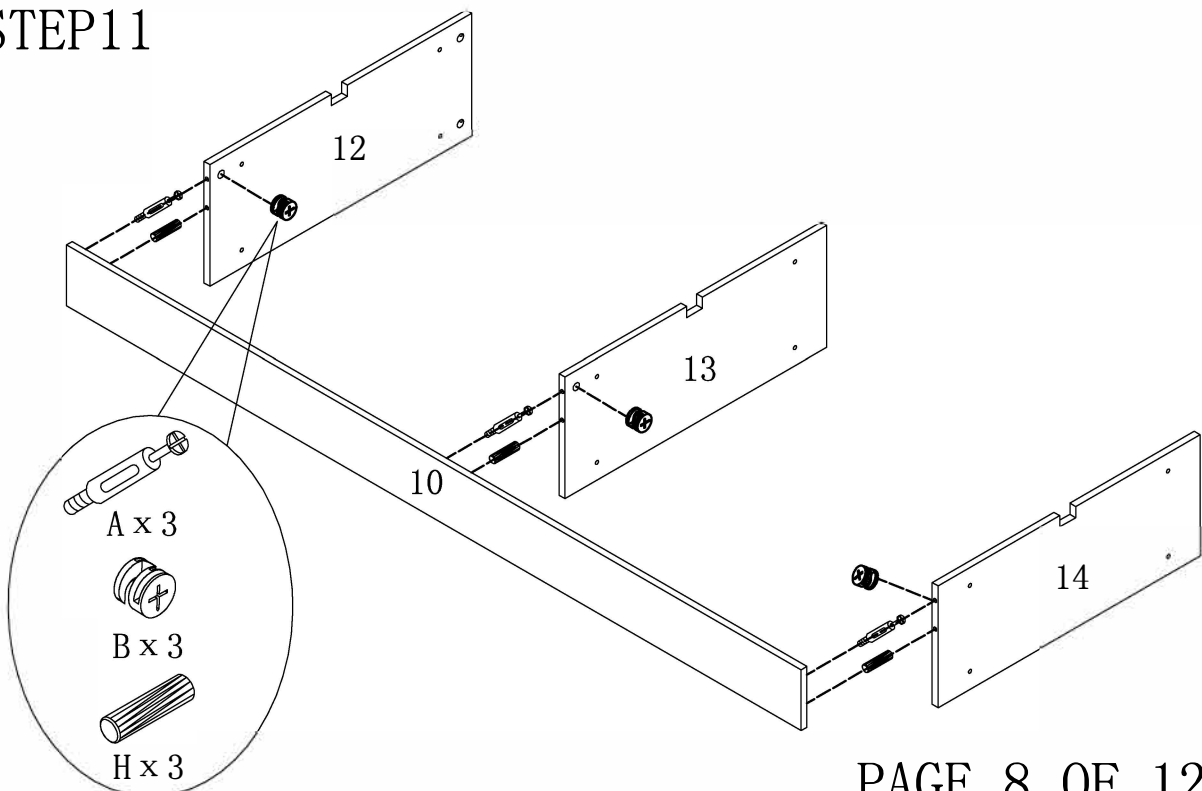


ASSEMBLY INSTRUCTION

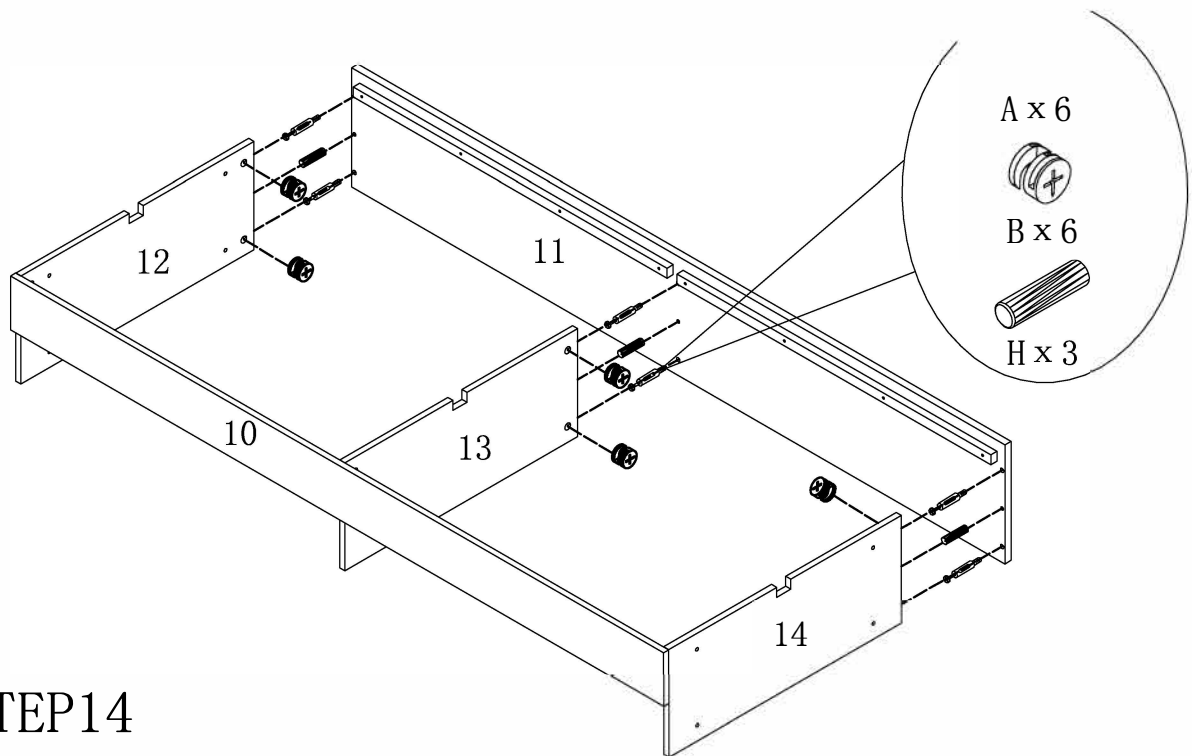


STEP 10

STEP 11

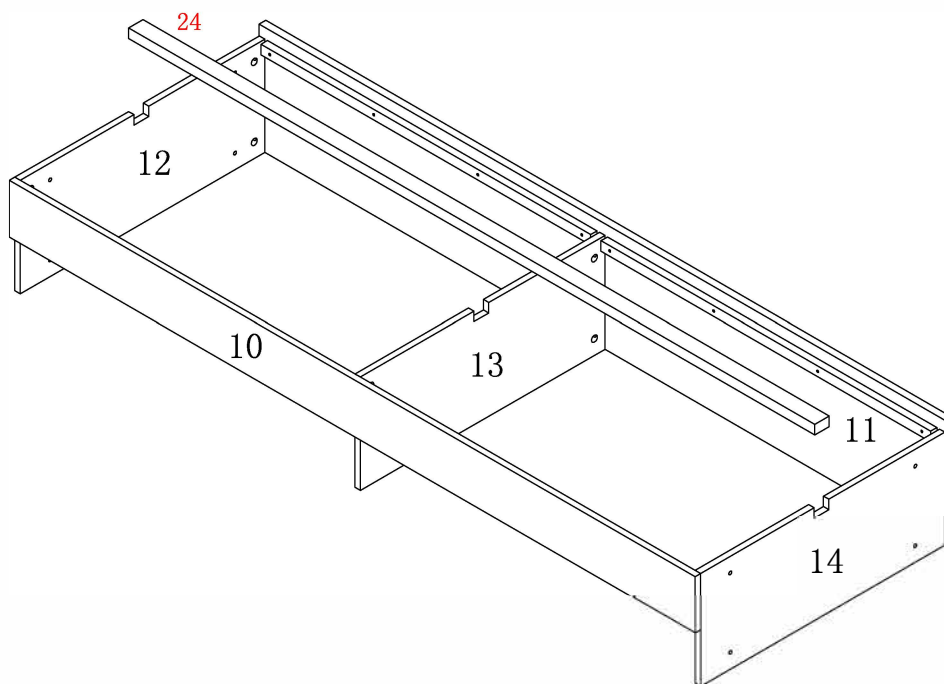


ASSEMBLY INSTRUCTION

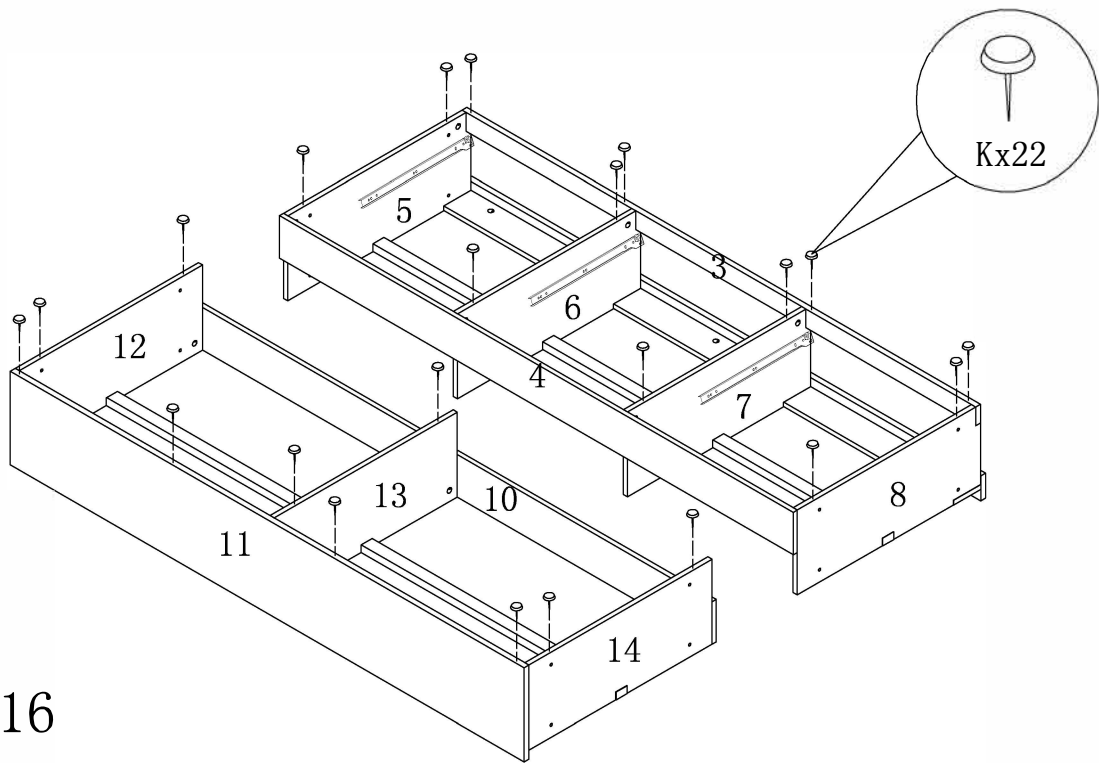


STEP14

STEP15

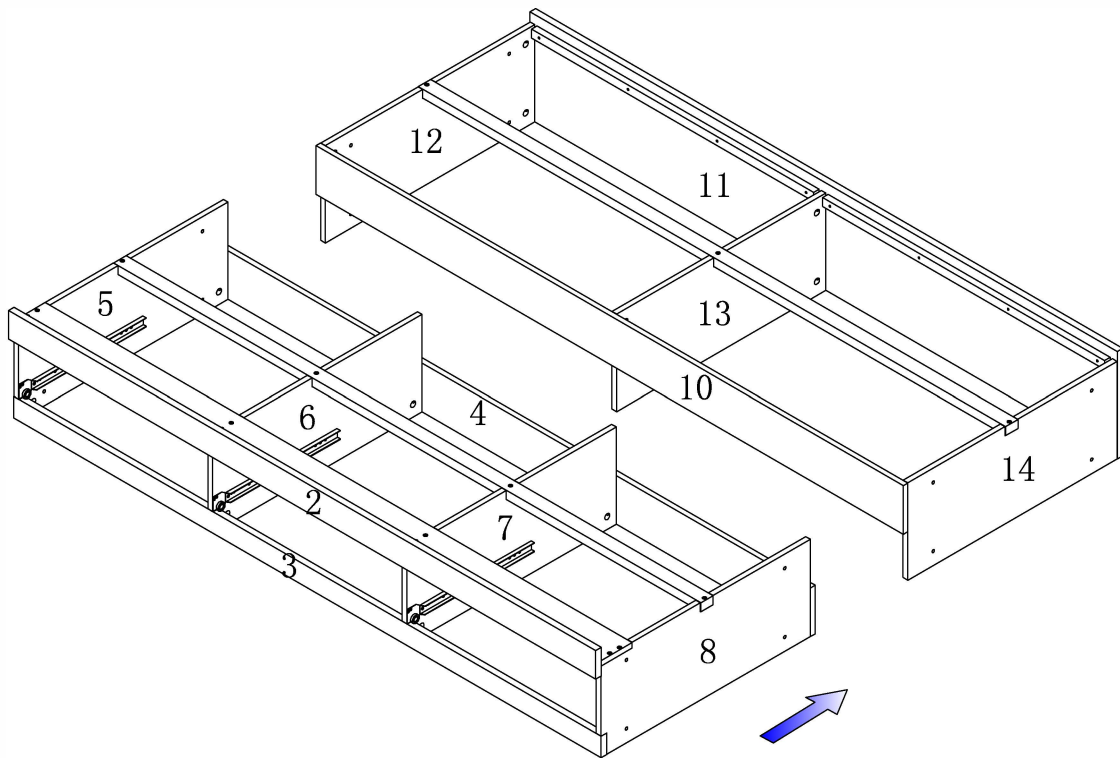


ASSEMBLY INSTRUCTION

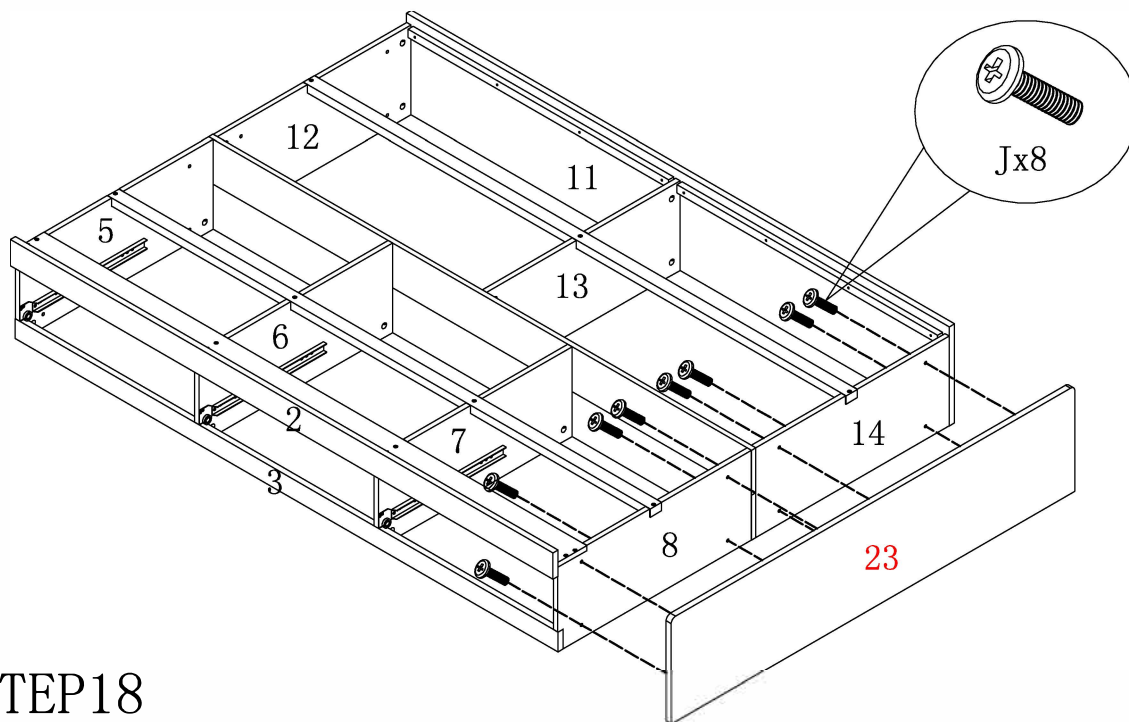


STEP 16

STEP 17

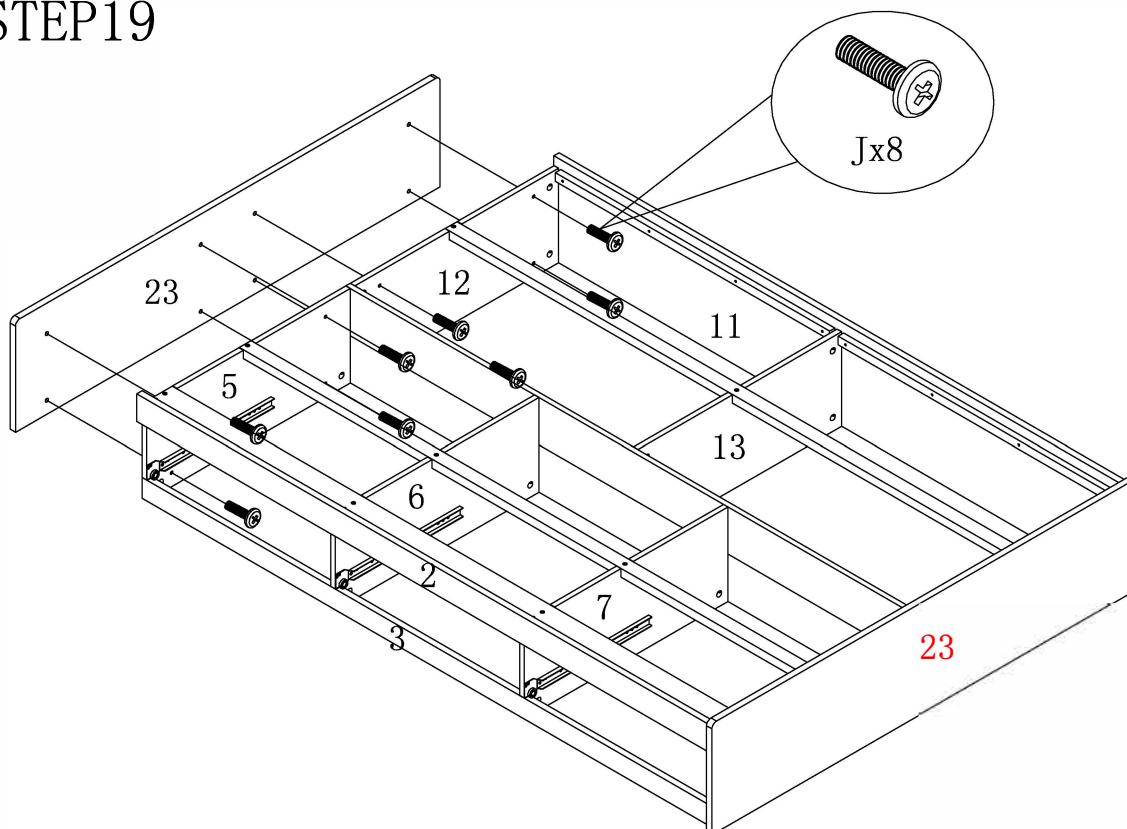


ASSEMBLY INSTRUCTION

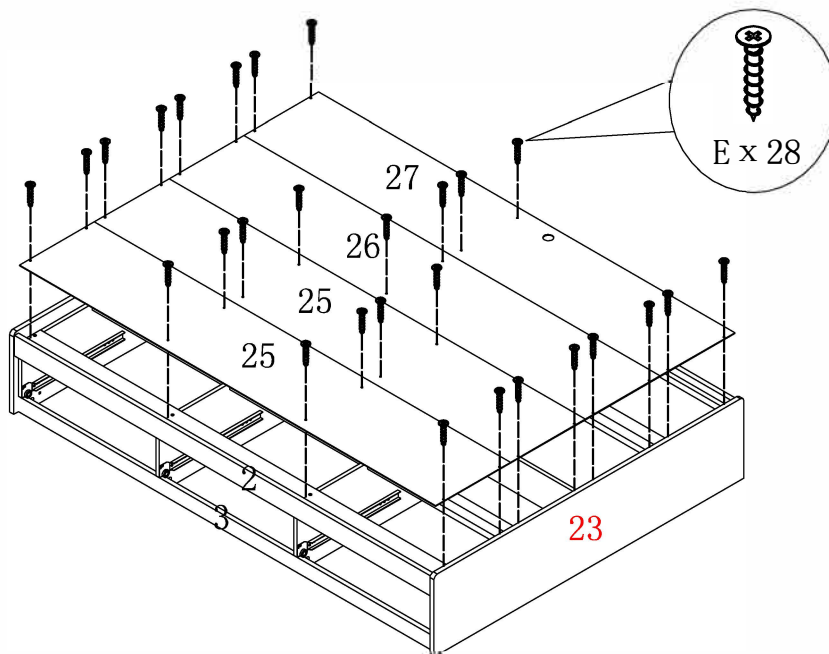


STEP18

STEP19



ASSEMBLY INSTRUCTION



STEP20

STEP21

