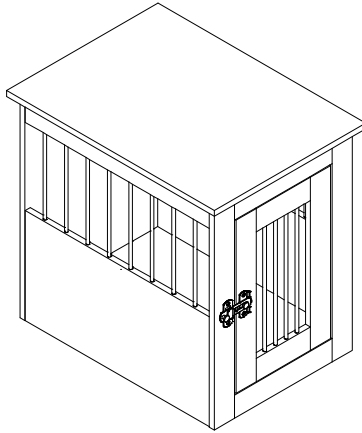
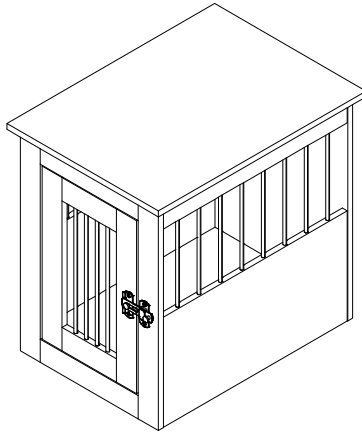
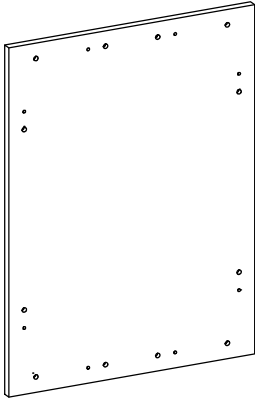


I

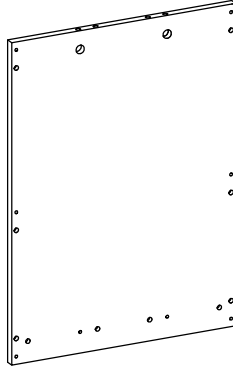


II

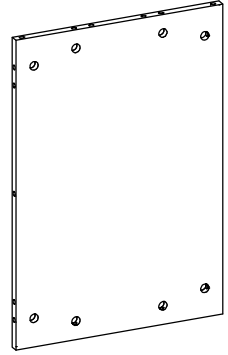




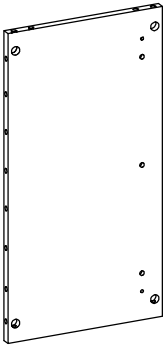
Ax1



Bx1



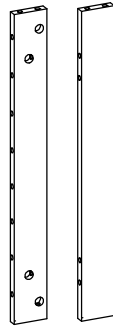
Cx1



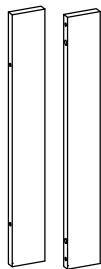
Dx2



Ex2



Fx2



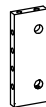
Gx2



Hx1



Ix1



Jx2



Kx44



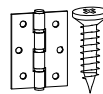
Lx4



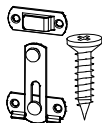
Mx36



Nx36



Ox2



Px1



Qx1



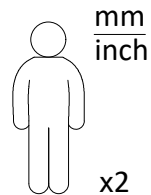
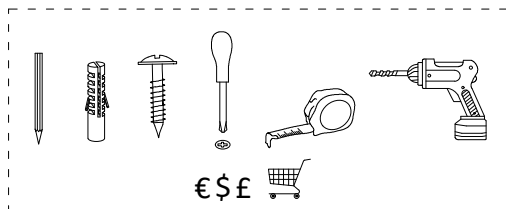
Rx1

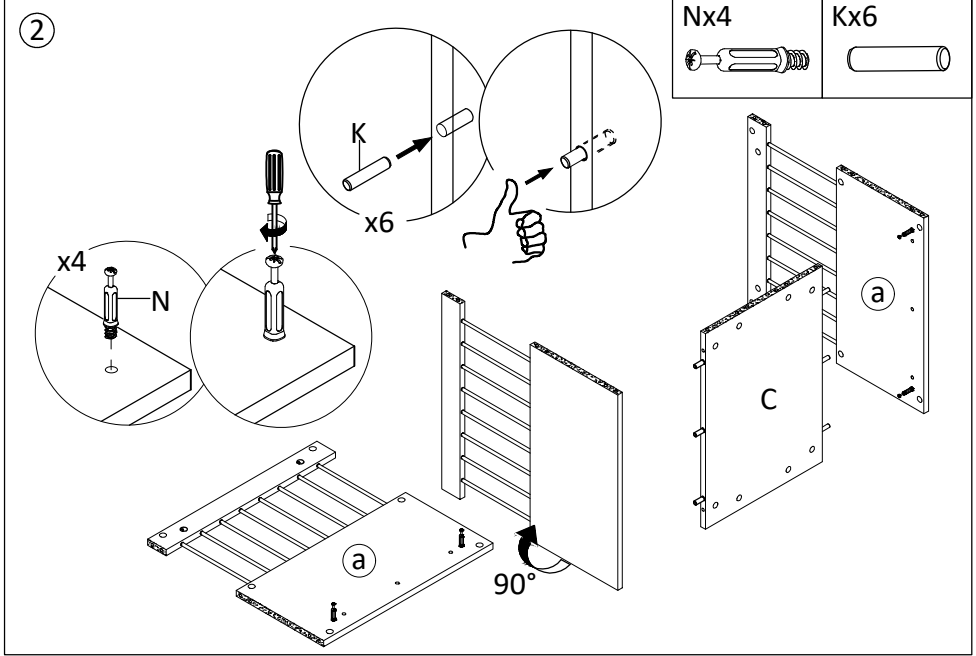
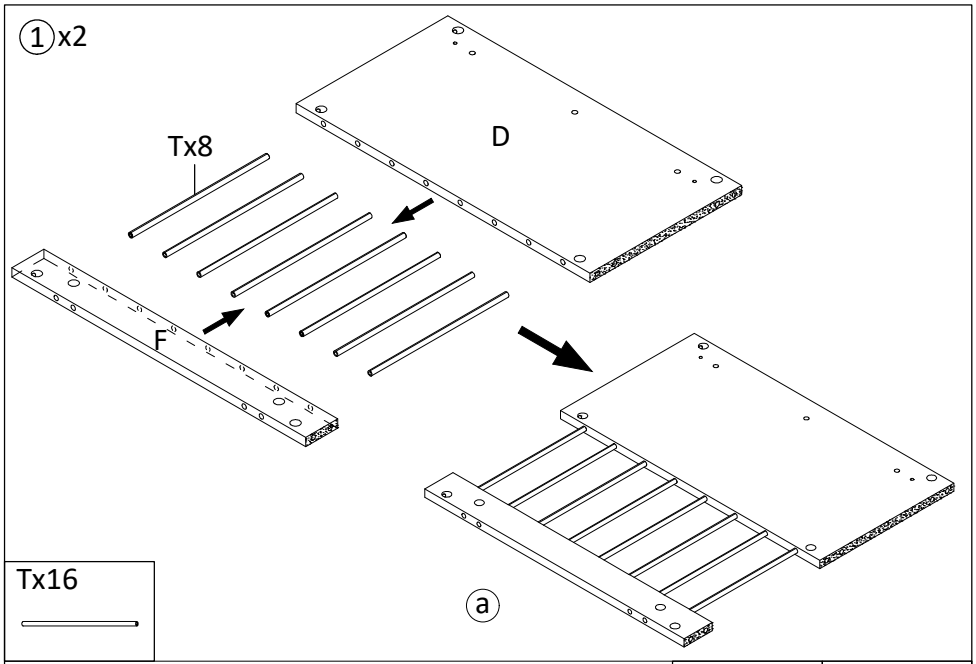


ø8x  $\frac{355}{14.0}$   
Sx4

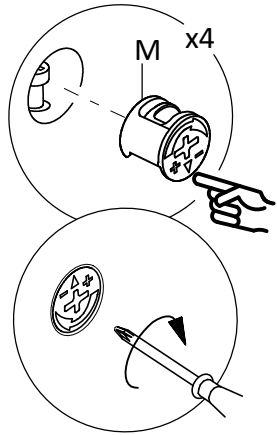
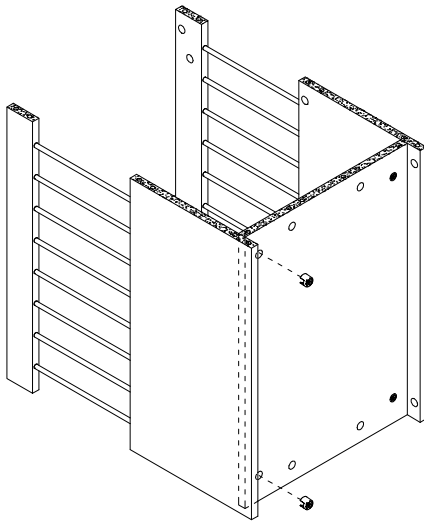


ø8x  $\frac{256}{10.1}$   
Tx16





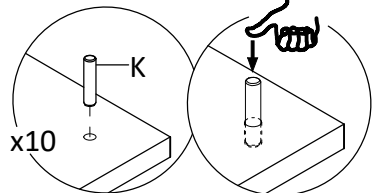
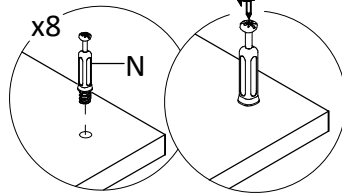
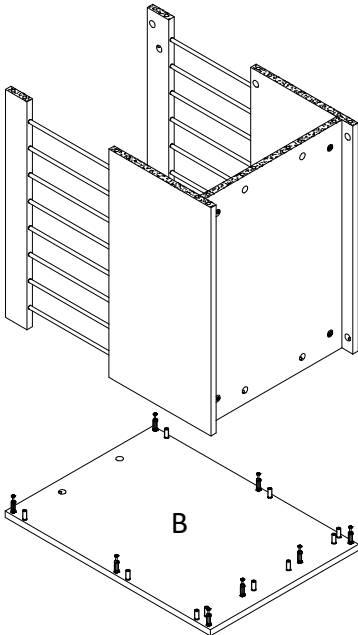
3



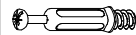
Mx4



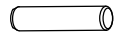
4



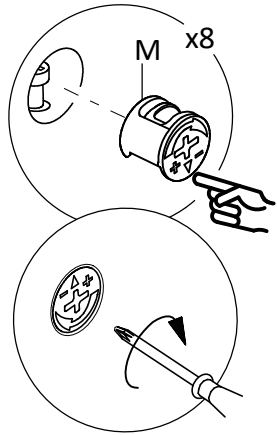
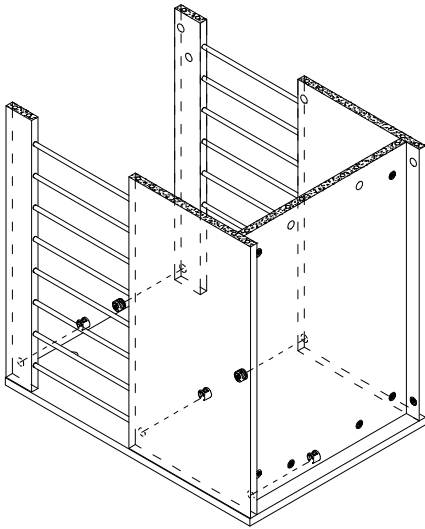
Nx8



Kx10



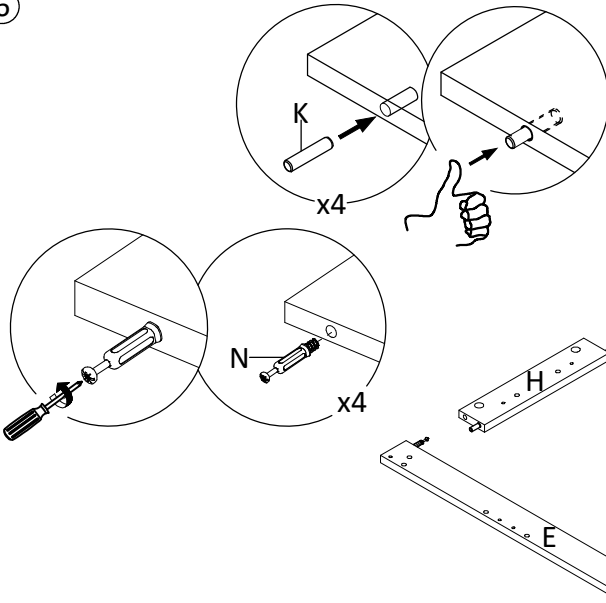
5



Mx8



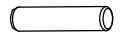
6



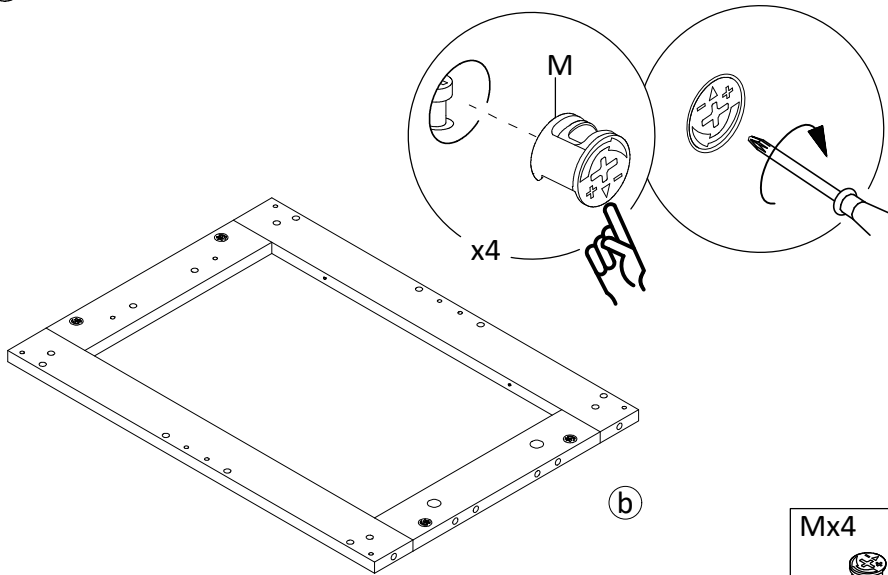
Nx4



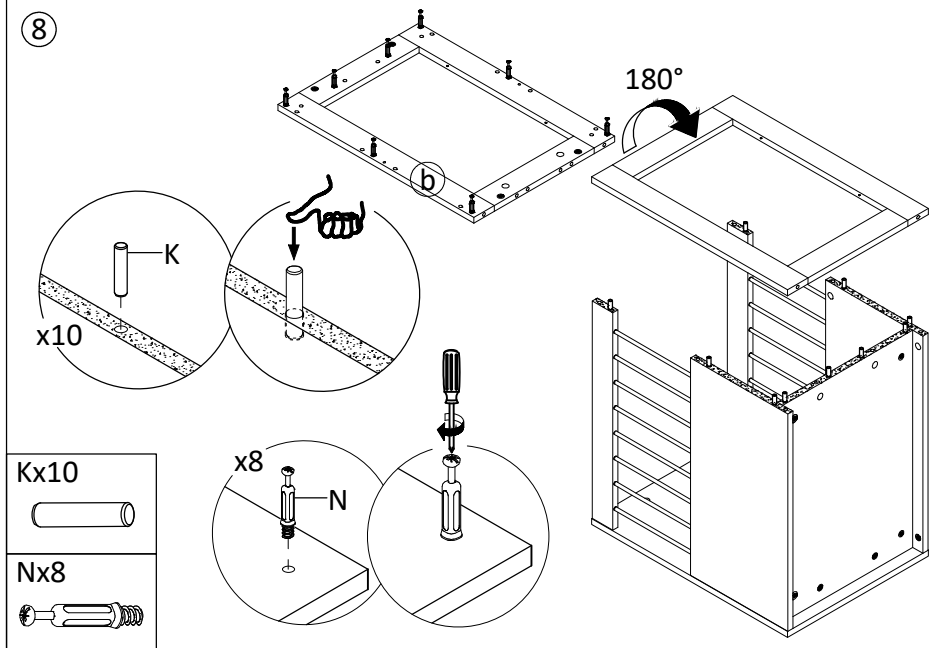
Kx4



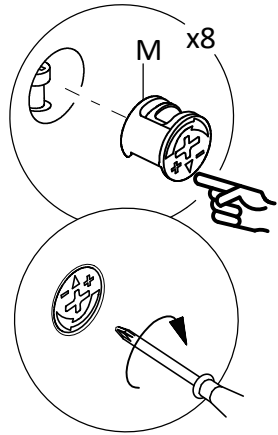
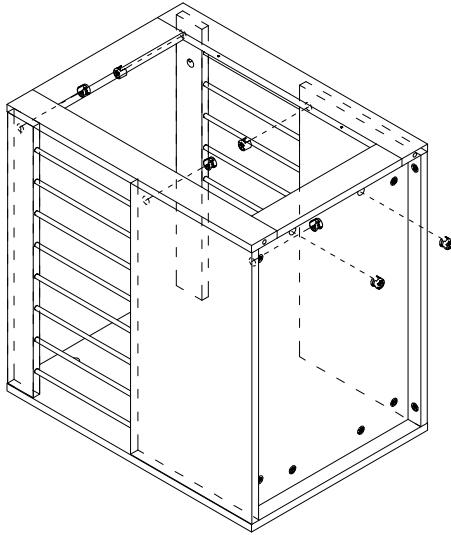
7



8



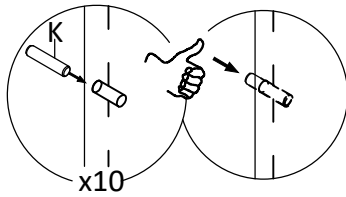
9



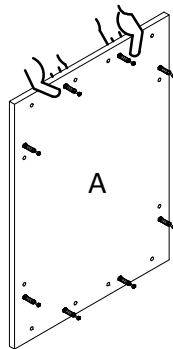
Mx8



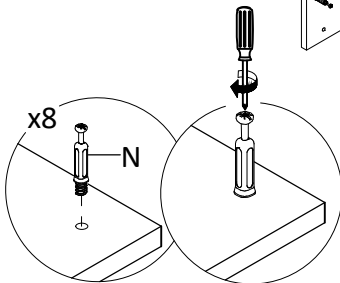
10



x10



A



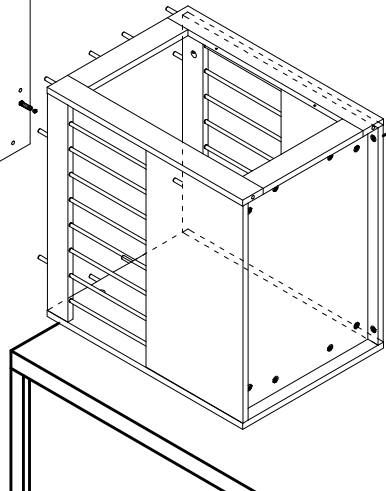
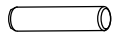
x8

N

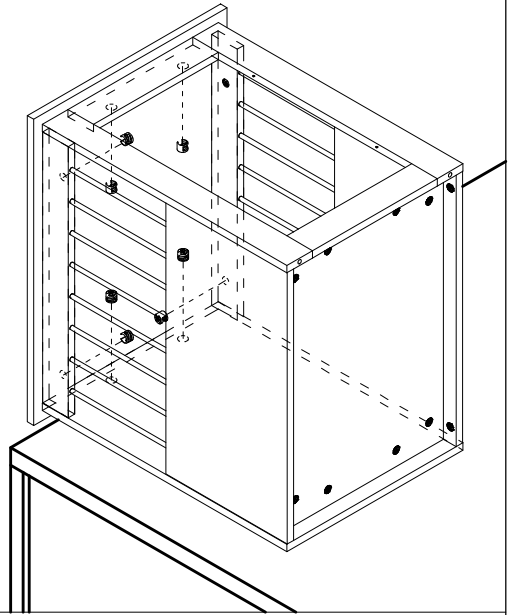
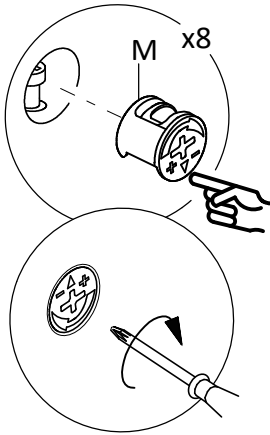
Nx8



Kx10



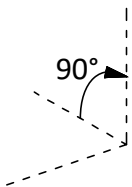
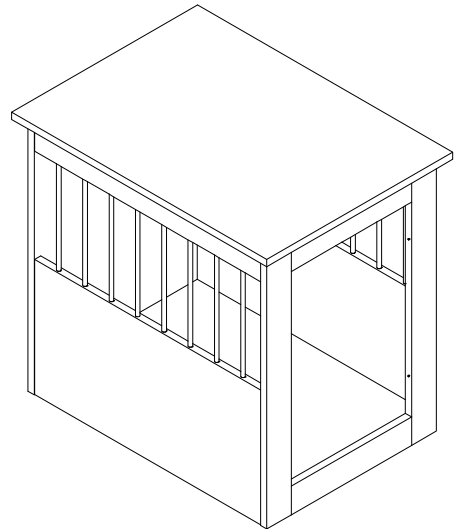
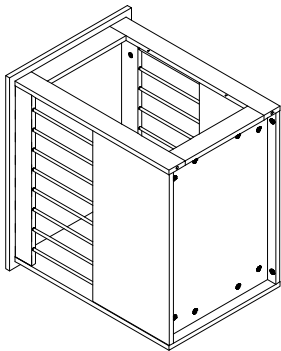
11



Mx8

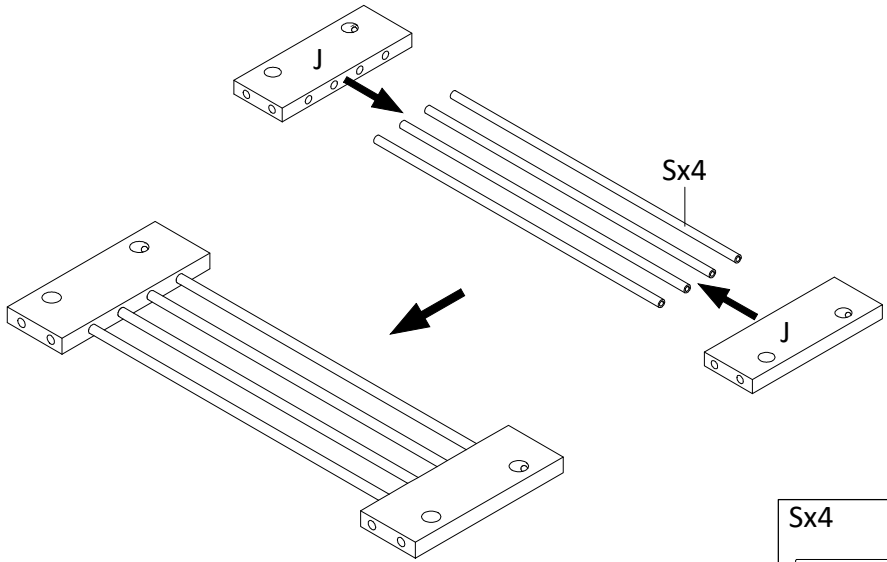


12

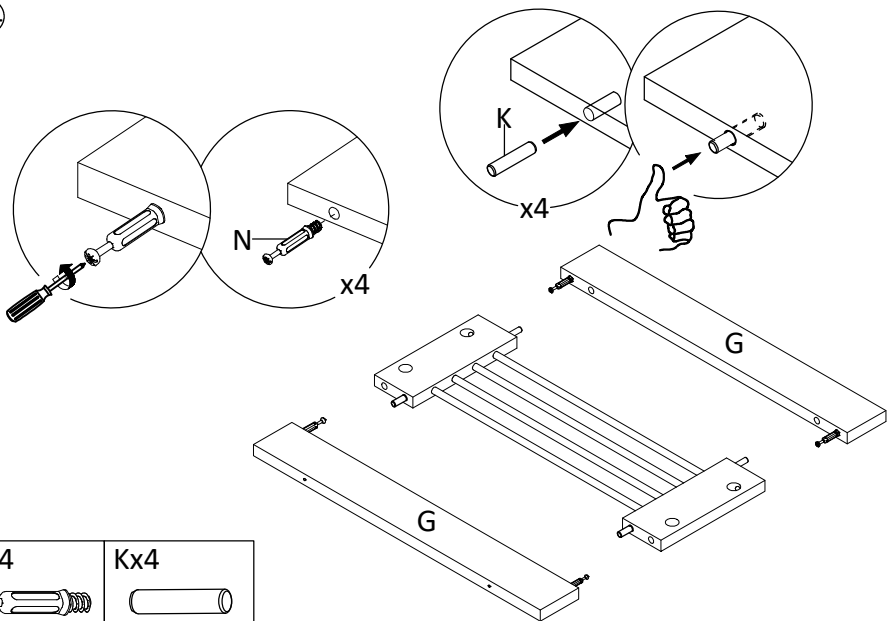


x2

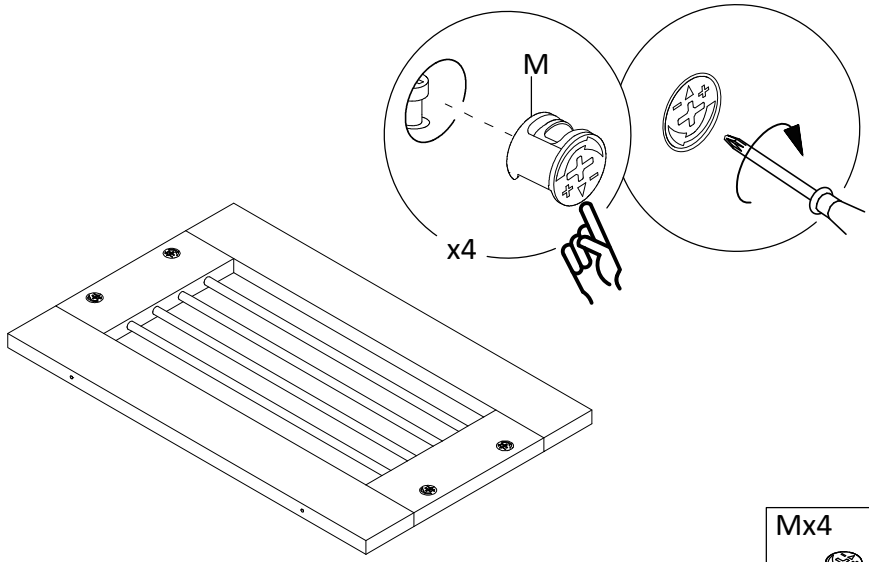
13



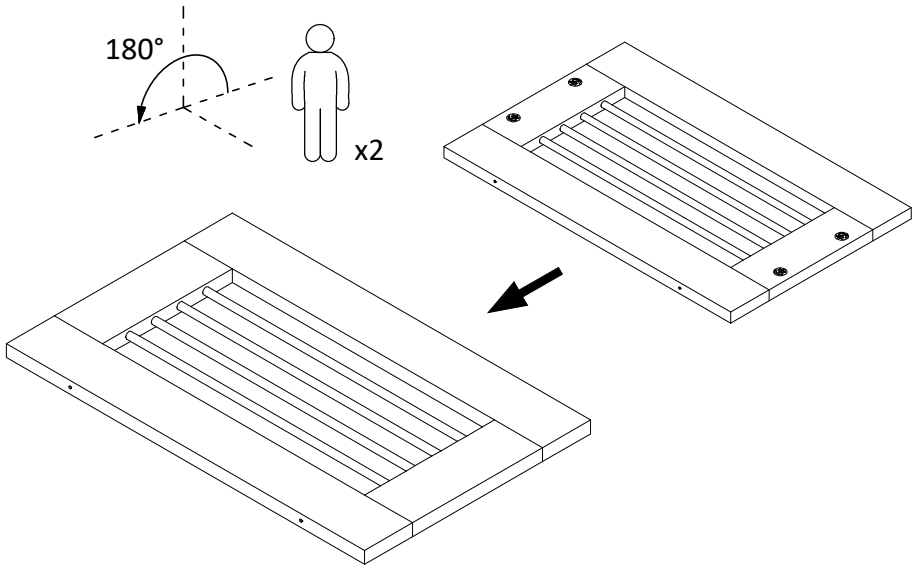
14




15

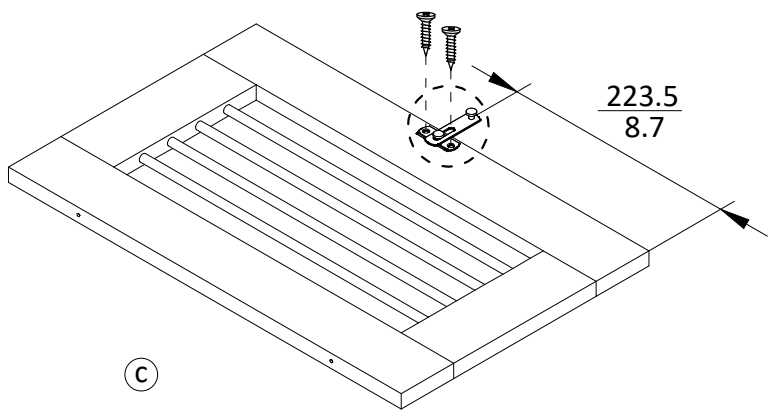
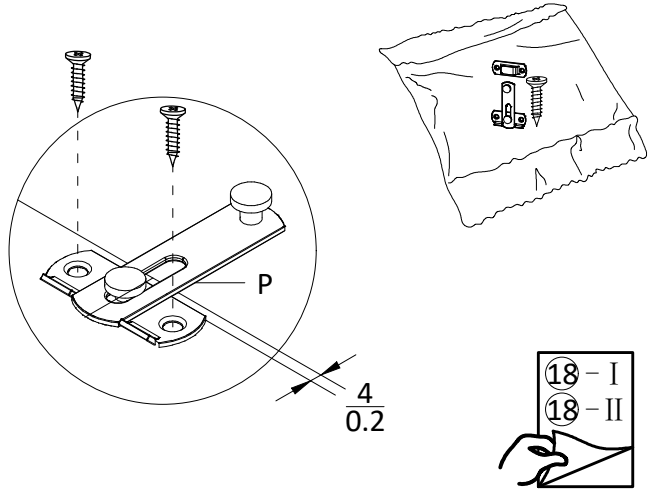


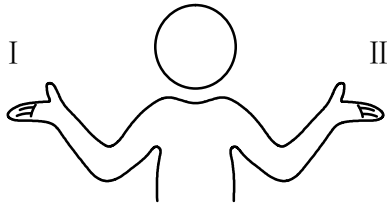
16



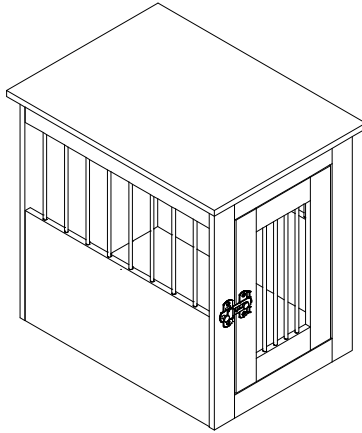
17

Px1 

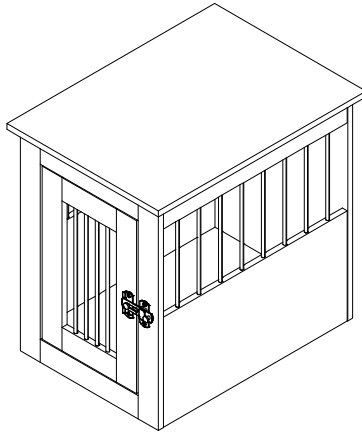




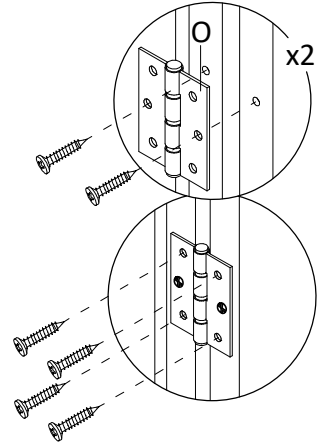
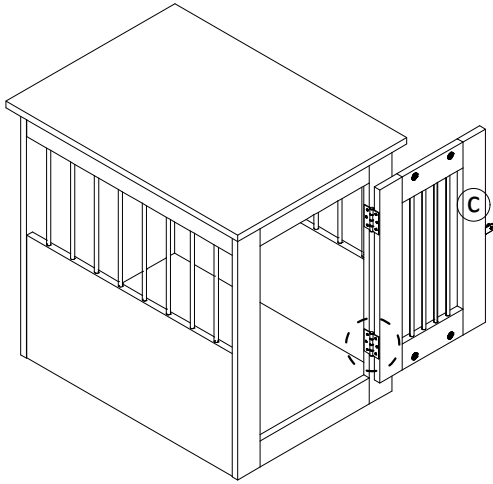
I



II



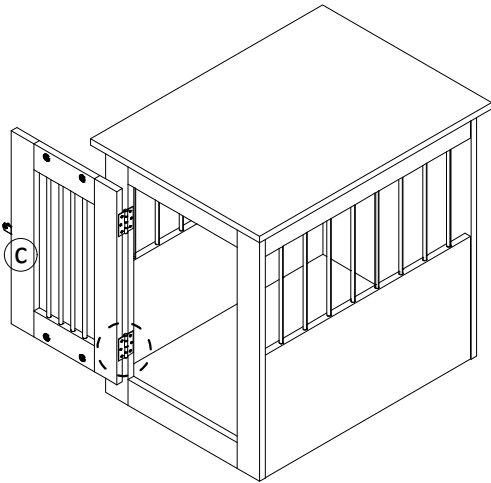
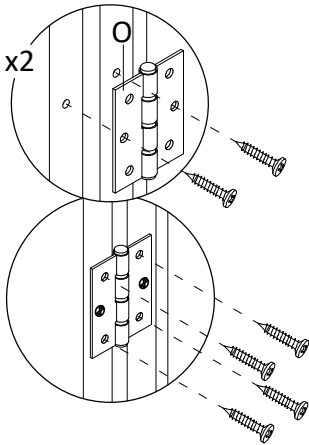
18-I



Ox2



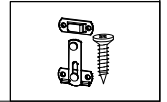
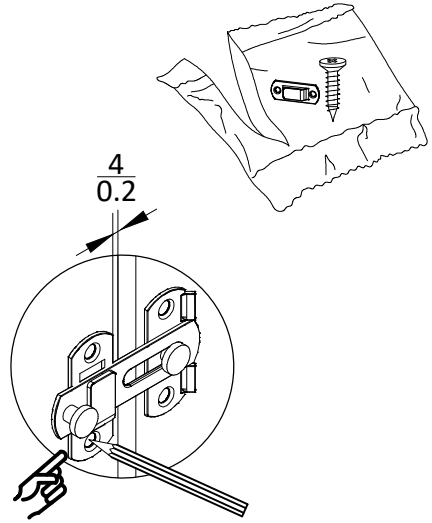
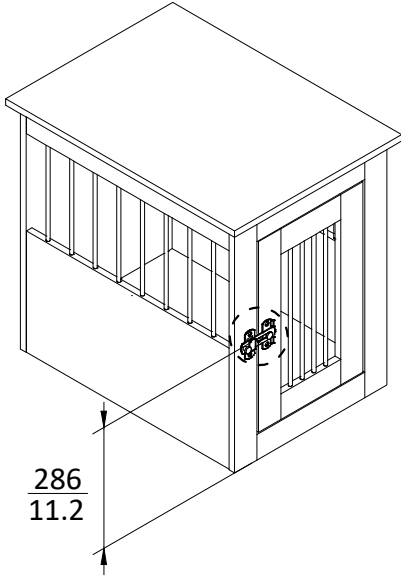
18-II



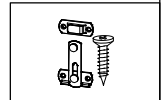
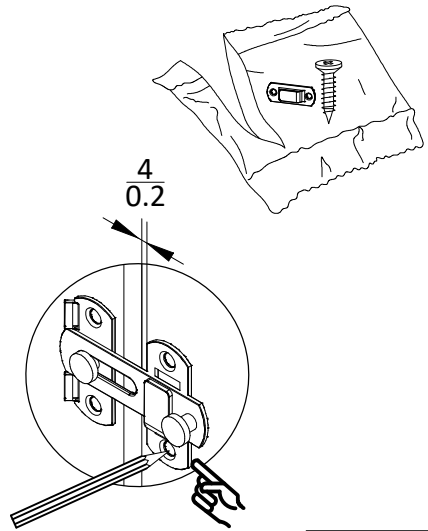
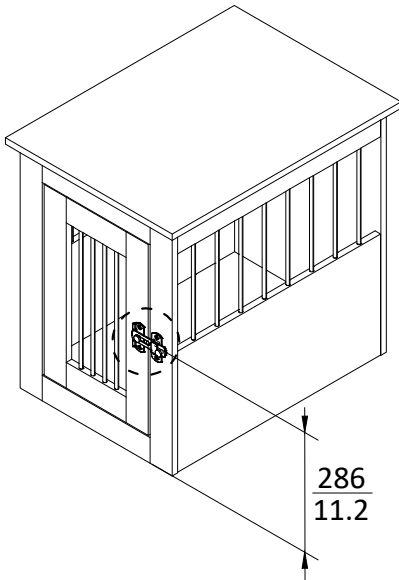
Ox2



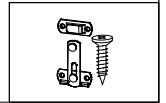
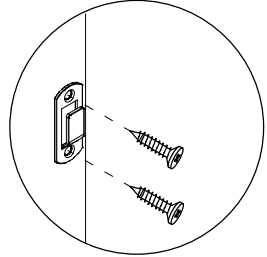
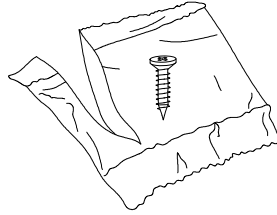
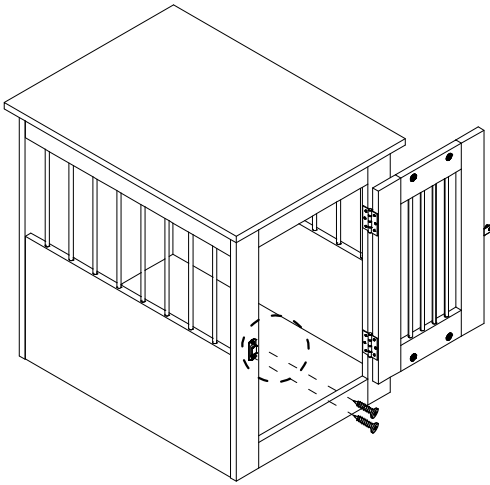
19-I



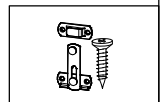
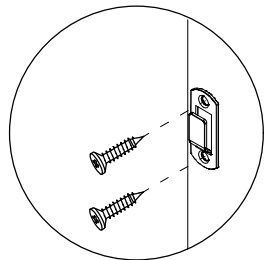
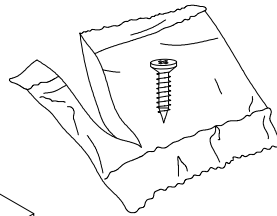
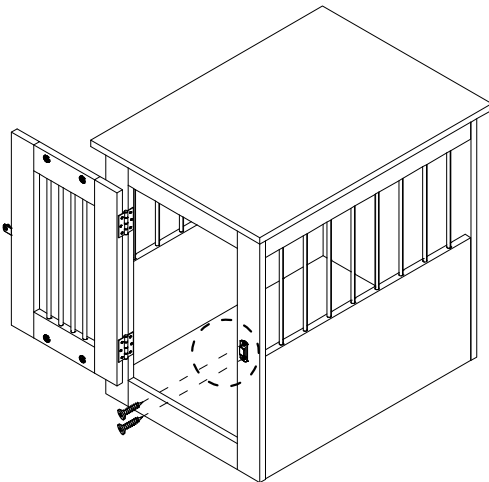
19-II



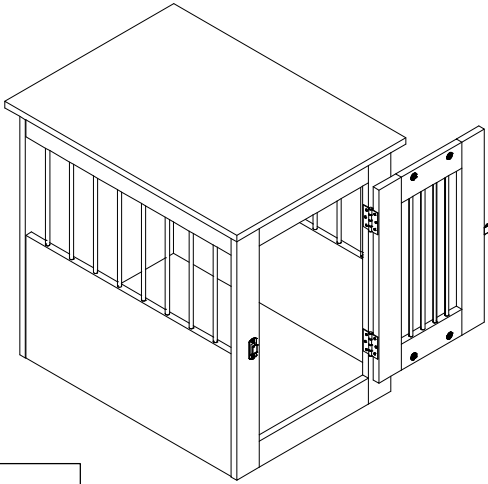
20-I



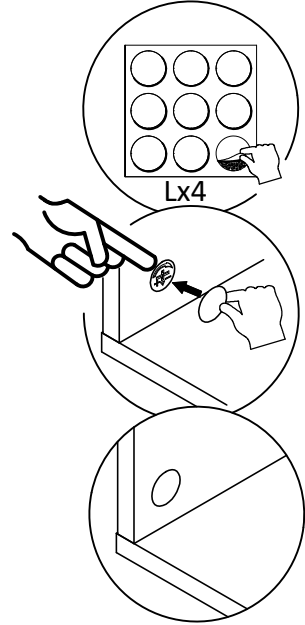
20-II



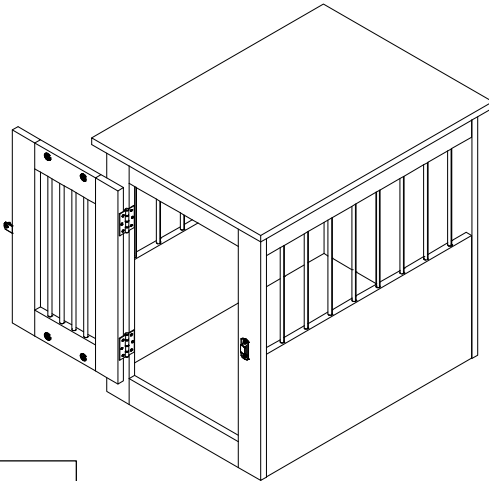
21-I



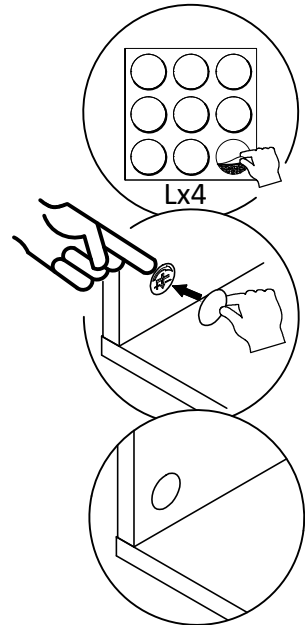
Lx4



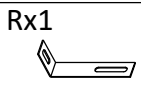
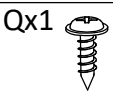
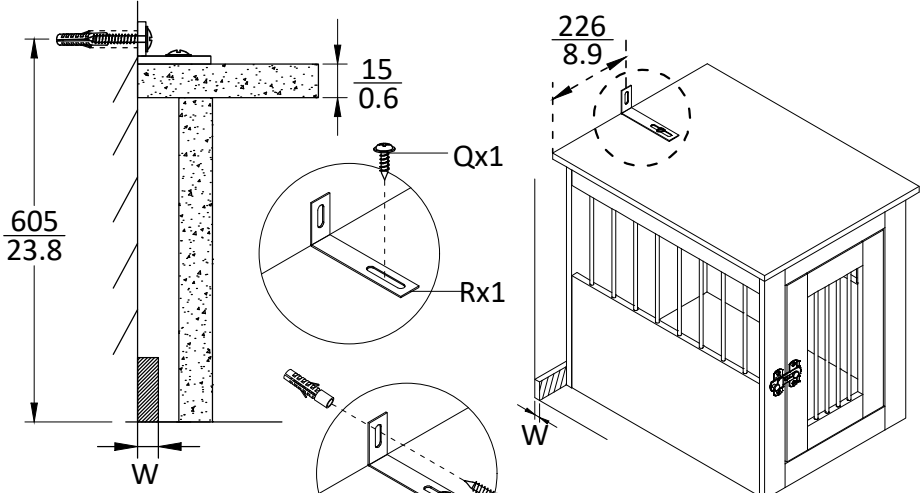
21-II



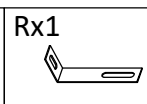
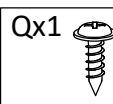
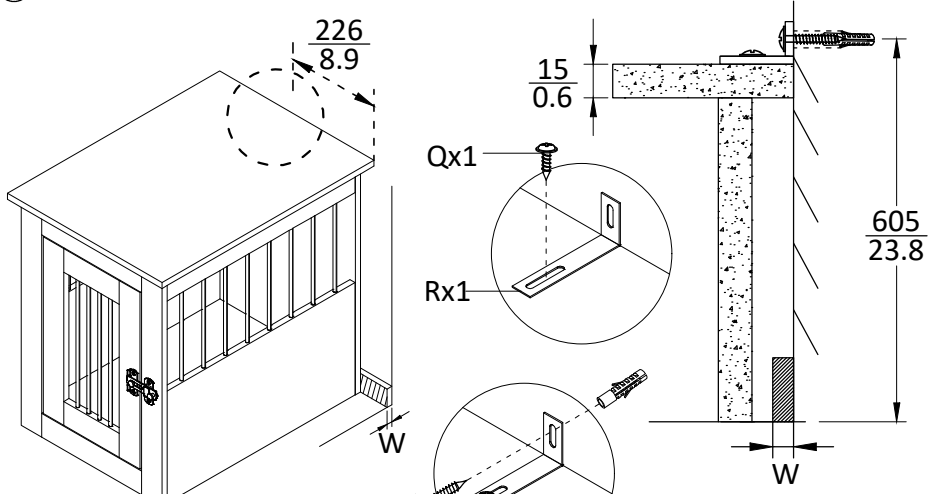
Lx4



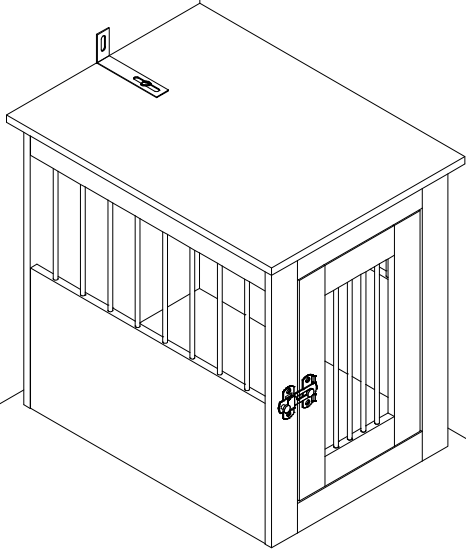
22-I



22-II



23-I



23-II

