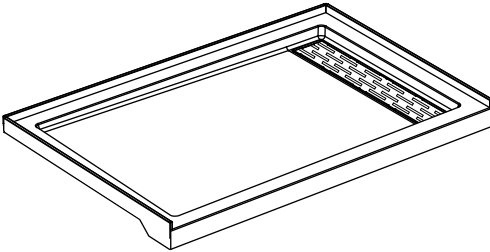


INSTALLATION MANUAL

- ⚠ Before starting installation, please take a few minutes to READ THIS MANUAL CAREFULLY.
- ⚠ Please check the product CAREFULLY for any visible damage.

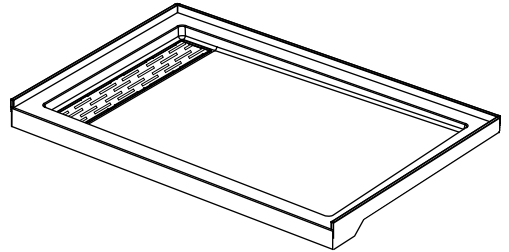
PASSO

Model : MVNSB1001WHRB
MVNSB1001WHLB
MVNSB6032MRS

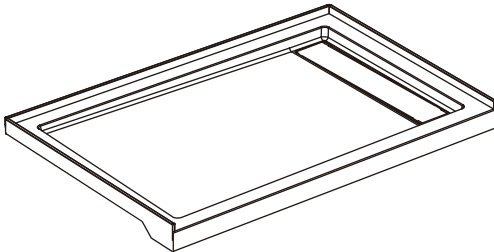


PASSO

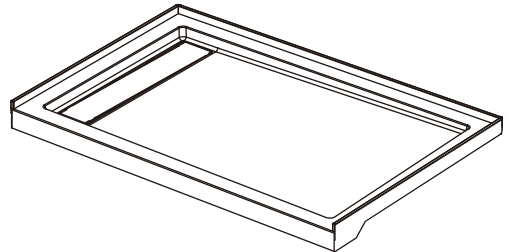
Model : MVNSB1001WHLS
MVNSB1001WHLB
MVNSB6032MLS



Model : MVNSB6032MRW



Model : MVNSB6032MLW



SAVE THIS GUIDE FOR FUTURE REFERENCE.



Table of Contents

Tools	2
Parts and Components	3
Base Installation	4-12

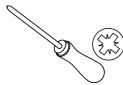
Tools



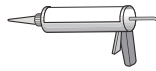
Tape Measure



Pencil



Phillips Screwdriver



Silicone



Power Drill



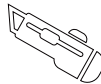
**Drill Bit
Ø5/32"
(4mm)**



**Drill Bit
Ø1/4"
(6mm)**



Safety Glasses



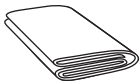
Razor Knife



1/2" Square Notched Trowel



Level



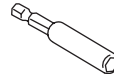
Soft Cloth Or Blanket



Shims



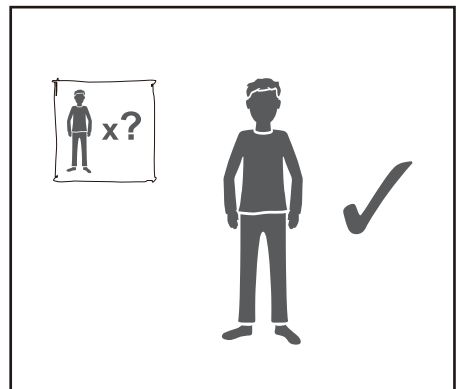
#1 Square Driver Bit



Extension Bit Holder

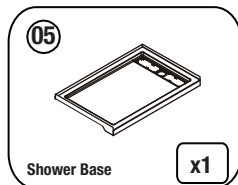
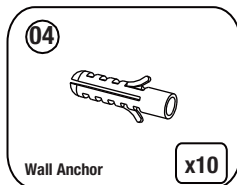
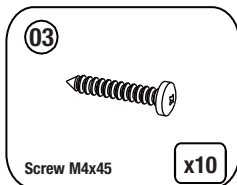
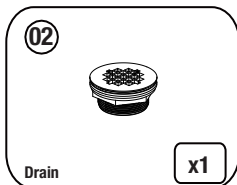
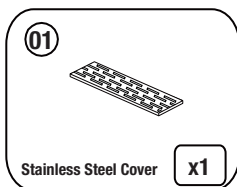
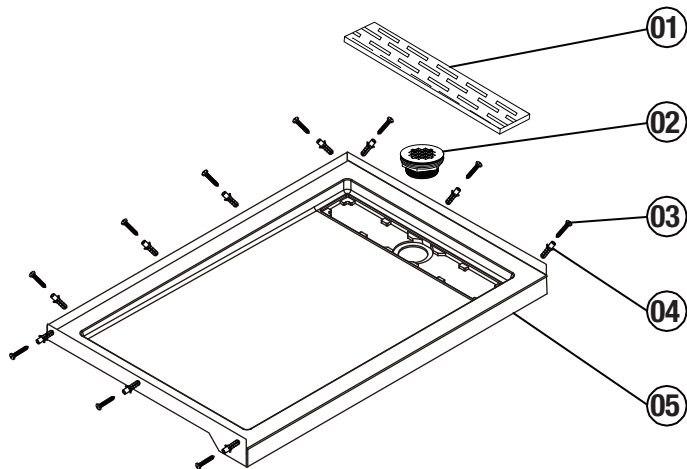


Phillips Bit (for use with extension bit holder)

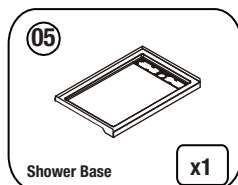
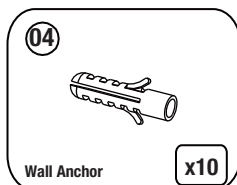
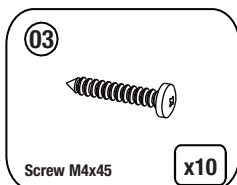
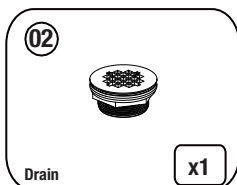
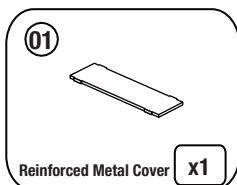
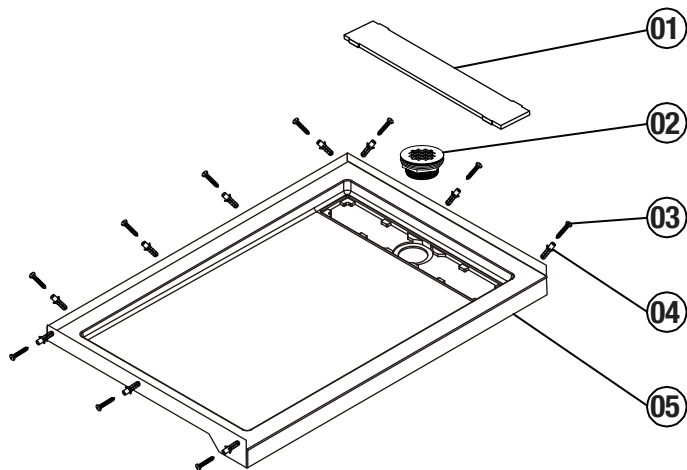


Parts and Components

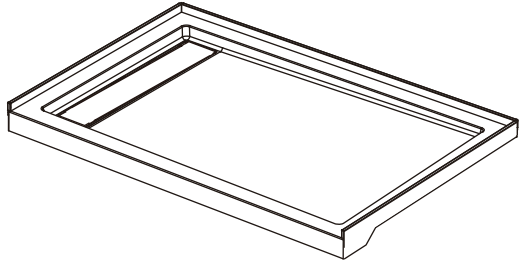
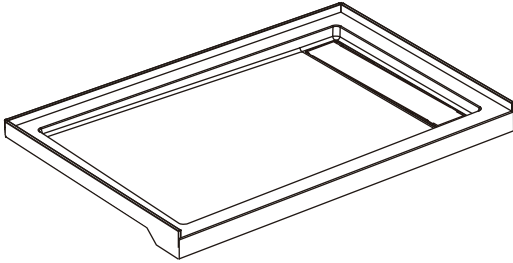
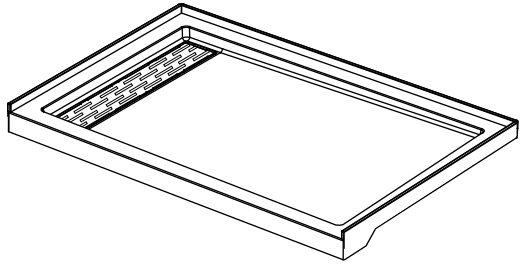
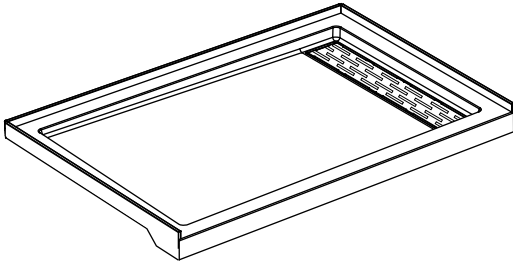
MVNSB1001WHRS
 MVNSB1001WHLS
 MVNSB1001WHRB
 MVNSB1001WHLB
 MVNSB6032MRS
 MVNSB6032MLS



MVNSB6032MRW
 MVNSB6032MLW



Base Installation

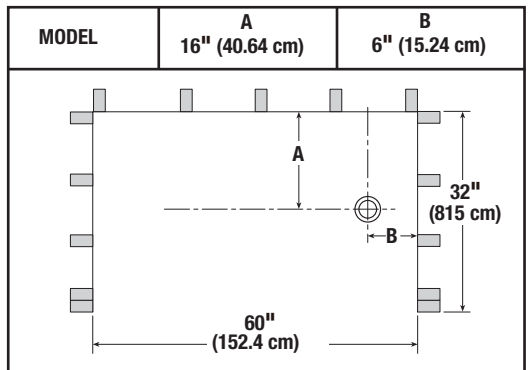
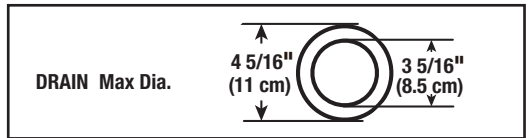
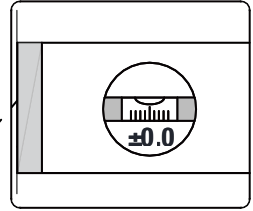
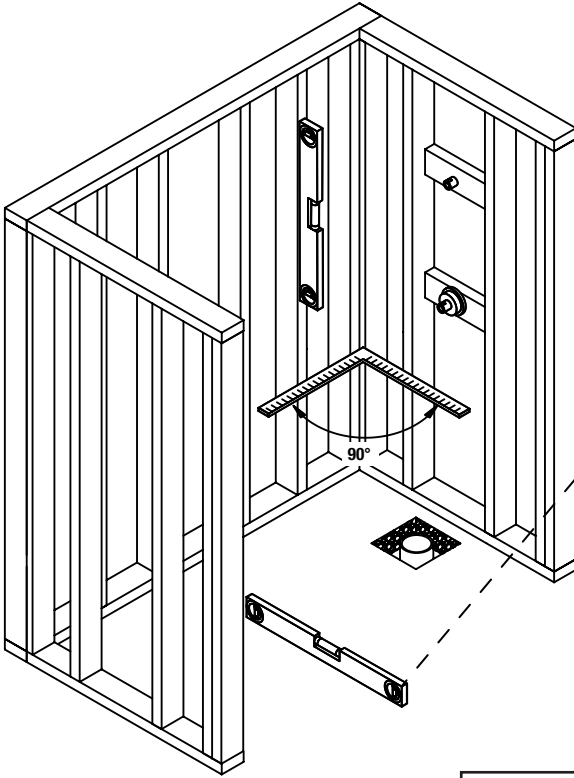


NOTE

The right-hand drain installation is shown as an example throughout this manual. For the left-hand drain installation, simply reverse the orientation of the steps shown

Base Installation

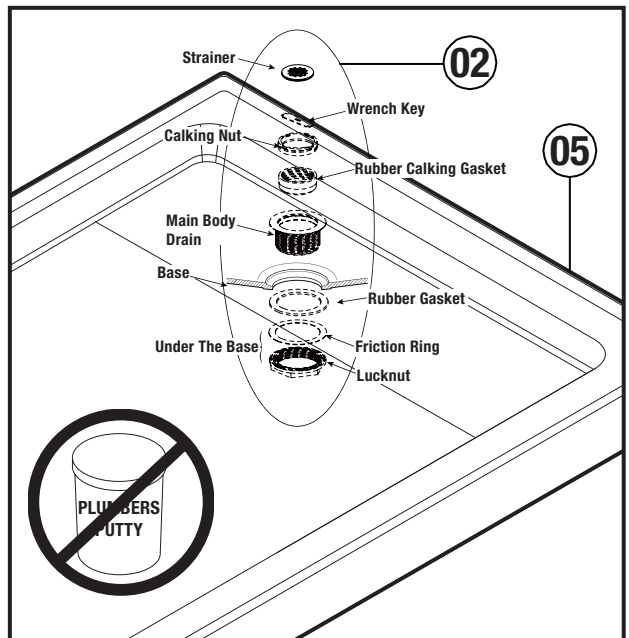
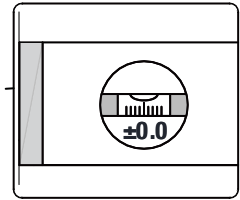
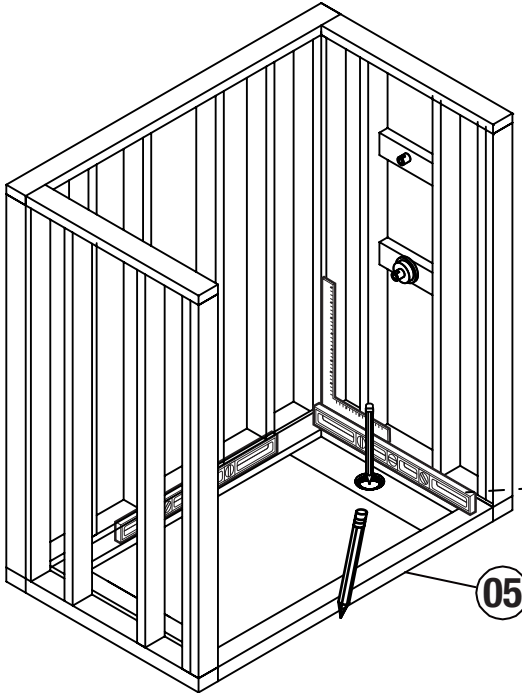
Ensure that the wall structure is leveled.



Base Installation

Ensure that the wall structure is leveled.

Place the shower base on the floor and mark the outline using a pencil.



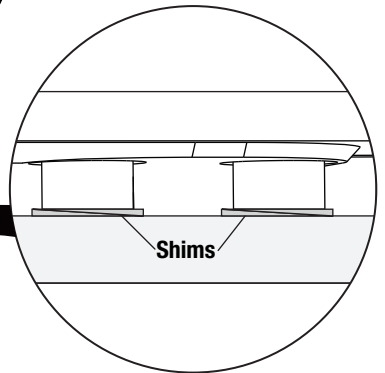
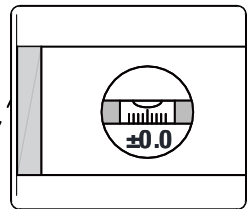
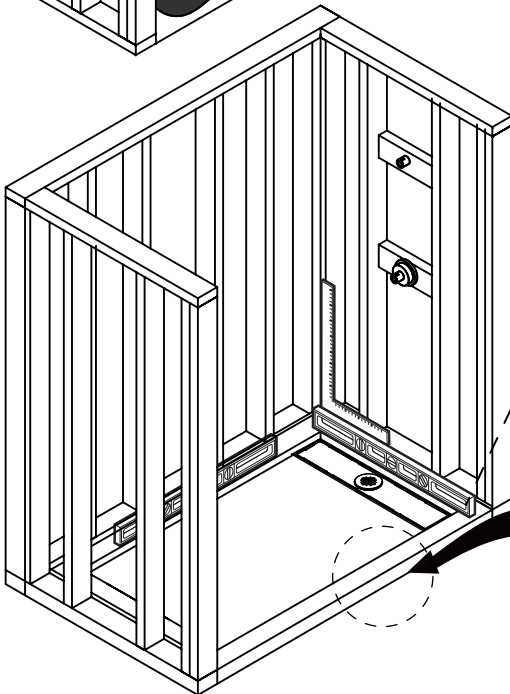
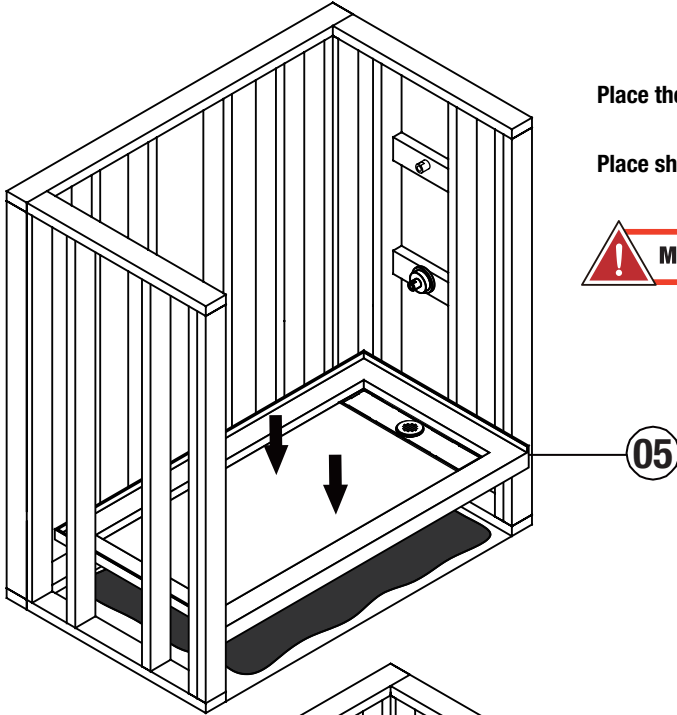
Base Installation

Place the base on the floor.

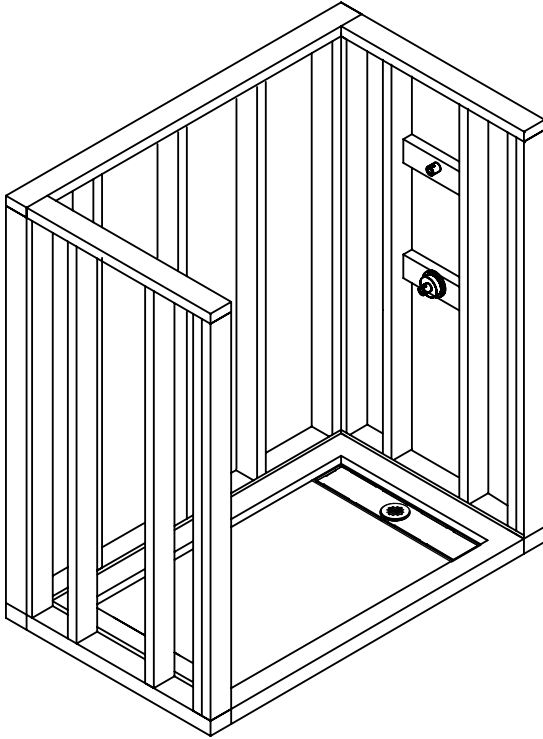
Place shims under the base to level it.



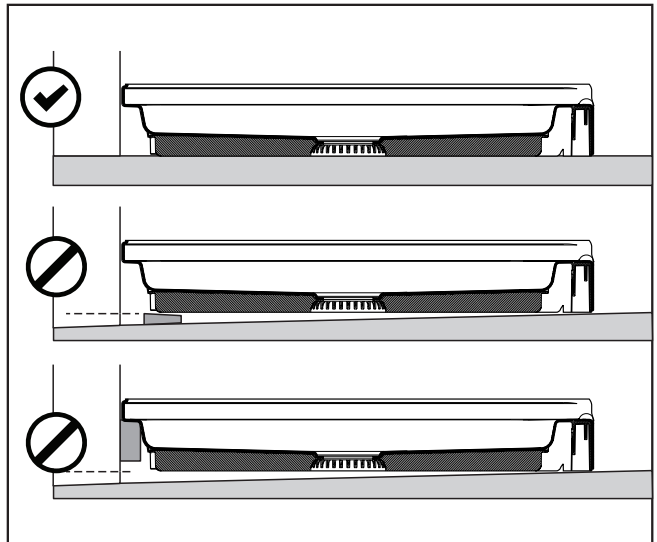
Mortar is NOT necessary.



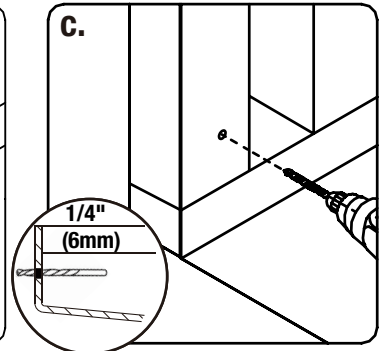
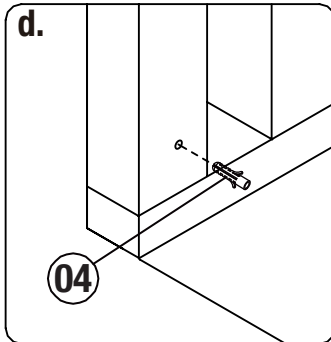
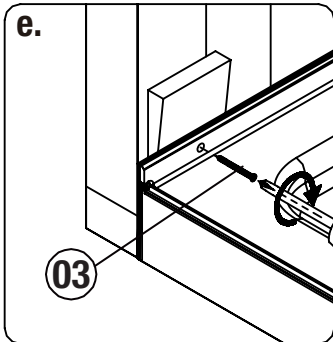
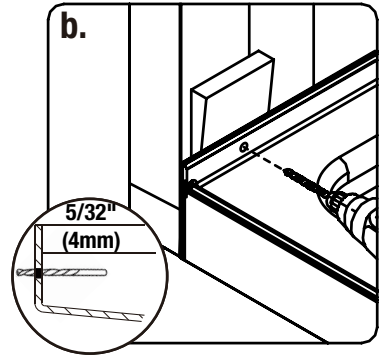
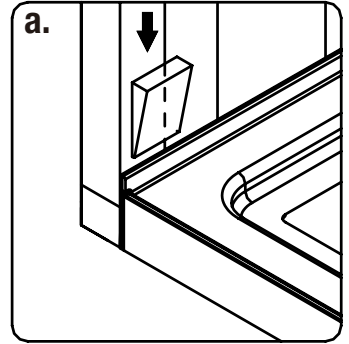
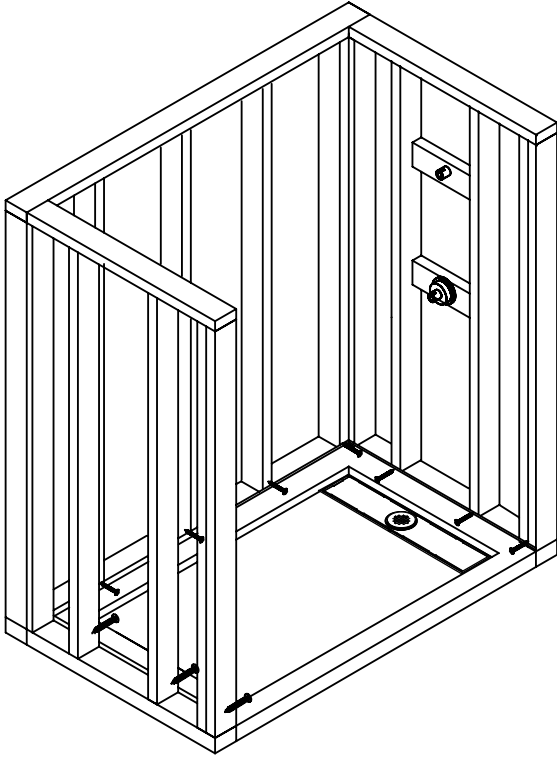
Base Installation



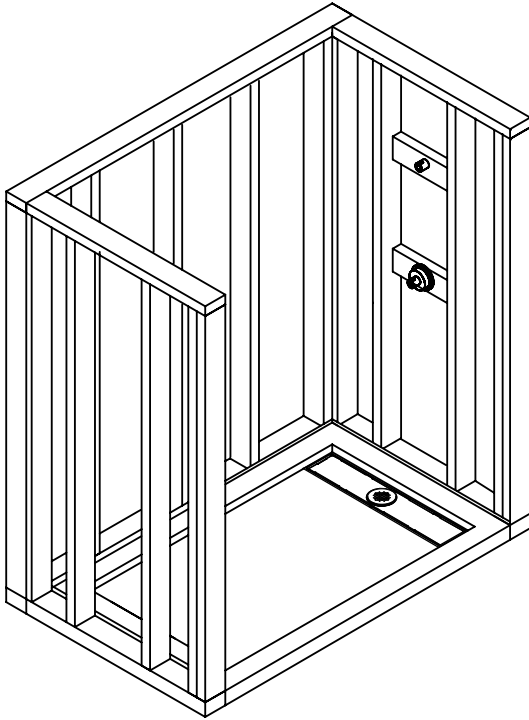
To compensate for any irregularities in your floor the base must be shimmed properly from underneath to provide a level threshold for mounting purposes. Shims must support the entire base, not just a single point. Verify this by standing on the base once shimmed and check for any spring or bounce in the base.



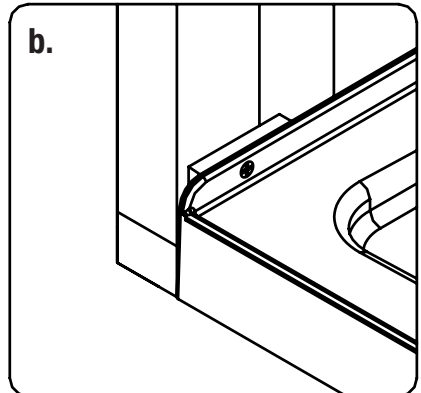
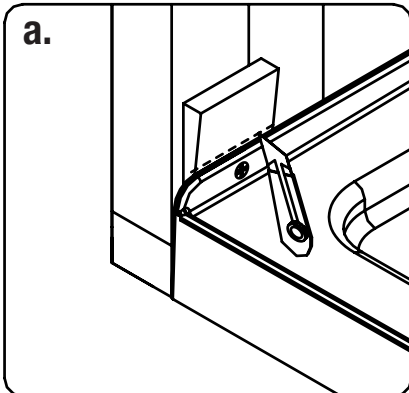
Base Installation



Base Installation

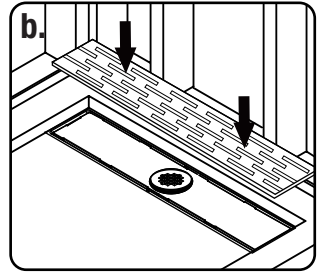
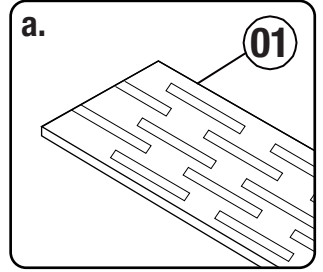
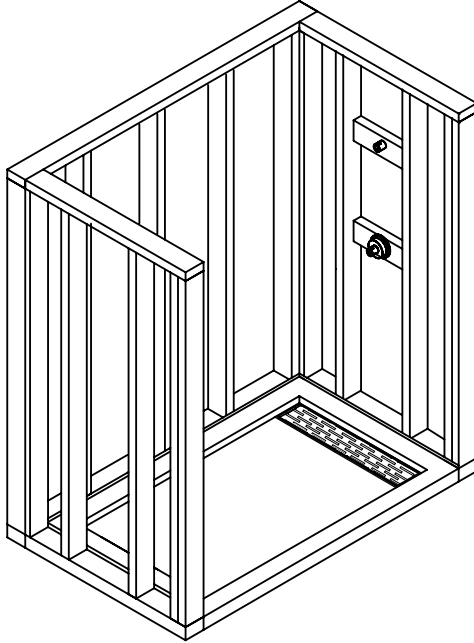


Cut the protruding part of the shims.

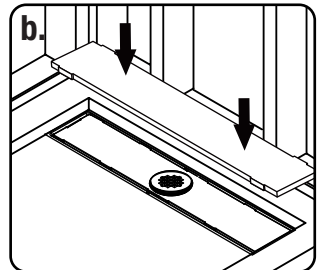
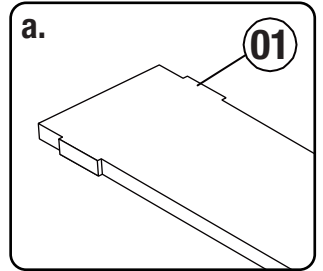
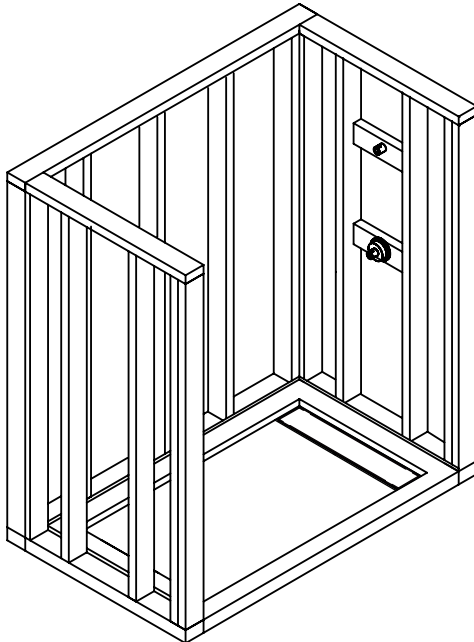


Base Installation

MVNSB1001WHR
MVNSB1001WHL
MVNSB1001WHRB
MVNSB1001WHLB
MVNSB6032MRS
MVNSB6032MLS

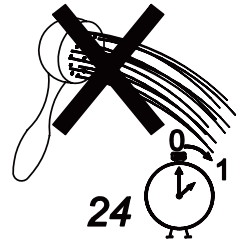
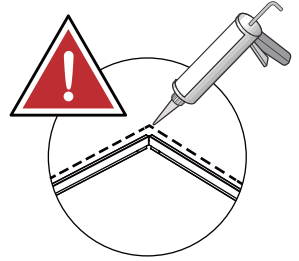
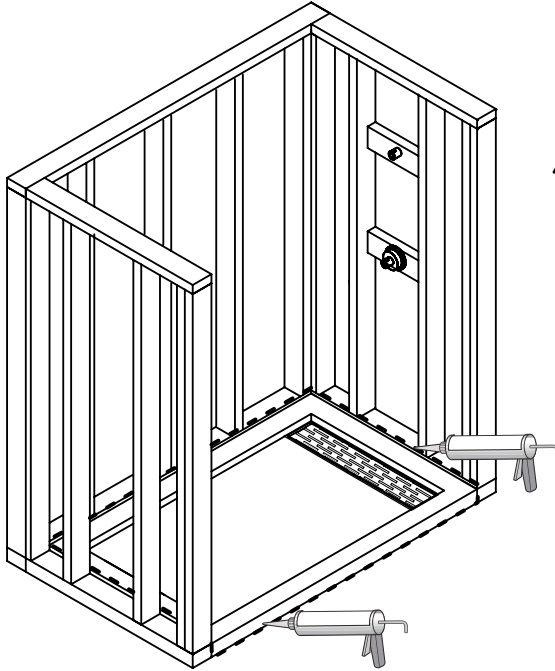


MVNSB6032MRW
MVNSB6032MLW



Base Installation

MVNSB1001WHR
MVNSB1001WHL
MVNSB1001WHRB
MVNSB1001WHLB
MVNSB6032MRS
MVNSB6032MLS



MVNSB6032MRW
MVNSB6032MLW

