




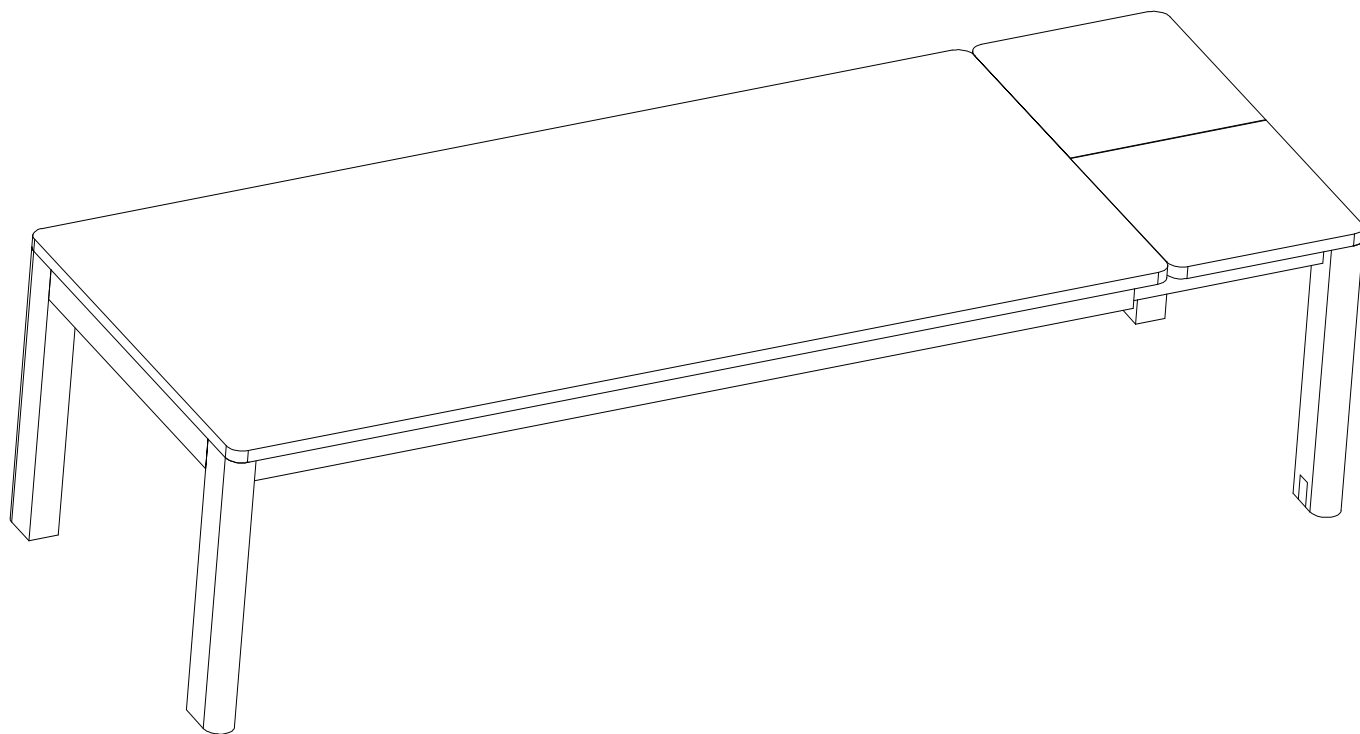


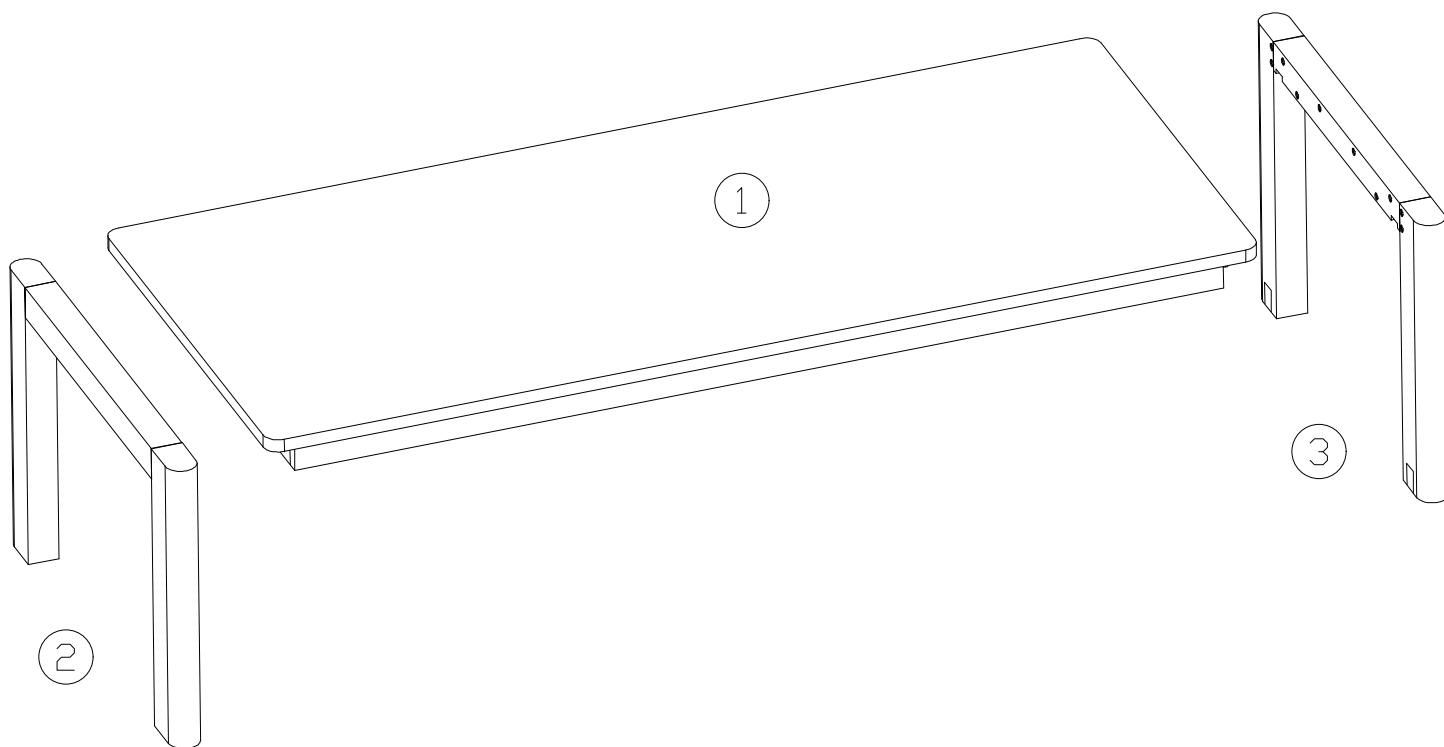
ASSEMBLY INSTRUCTION FOR EXTENSION DINING TABLE

HARDWARE LIST

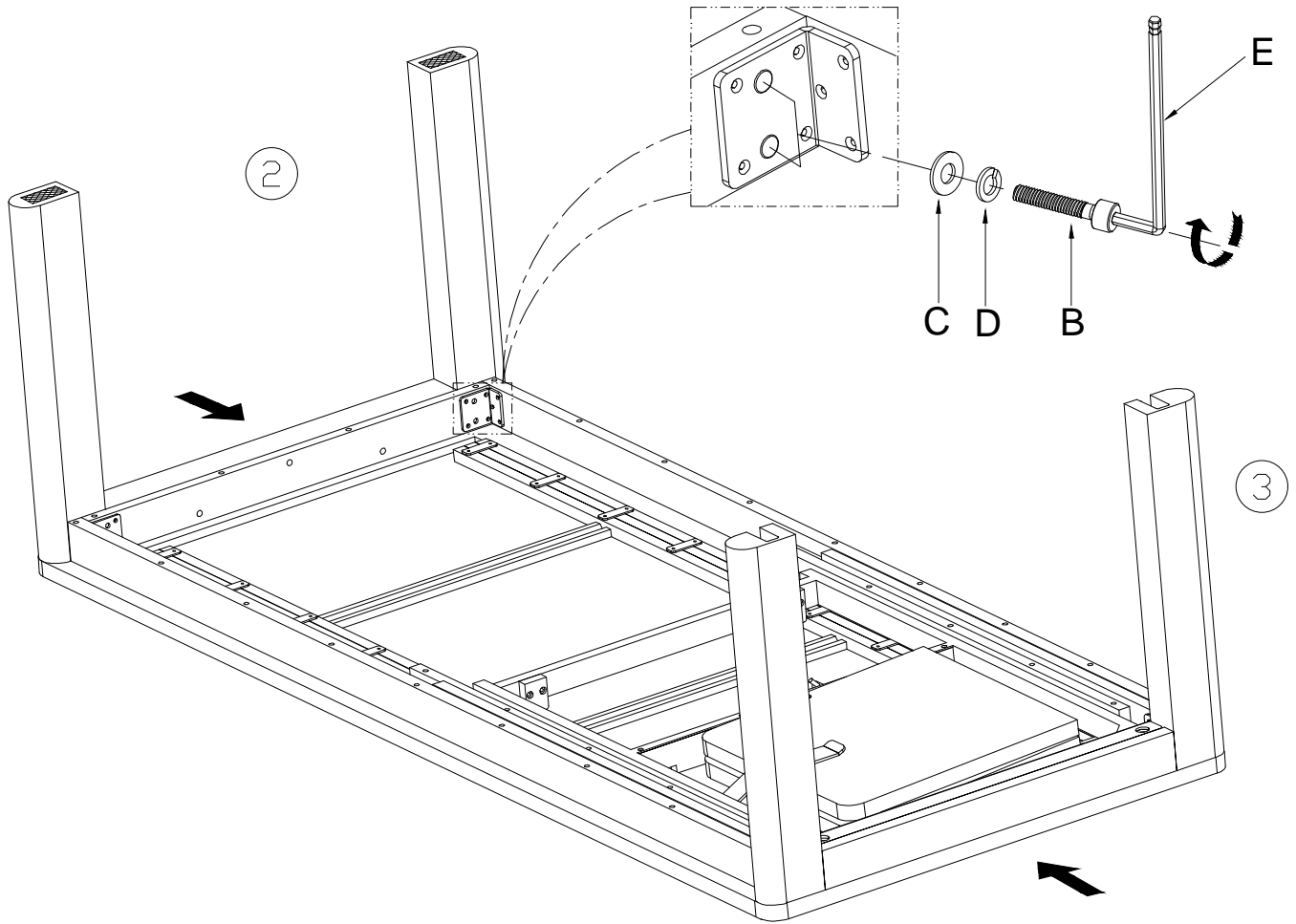
A		Bolt	M10 x 25mm	12
B		Bolt	M10 x 50mm	7
C		Washer	10 x 20mm	19
D		Lock Washer	10 mm	19
E		Allen Wrench	8 mm	1



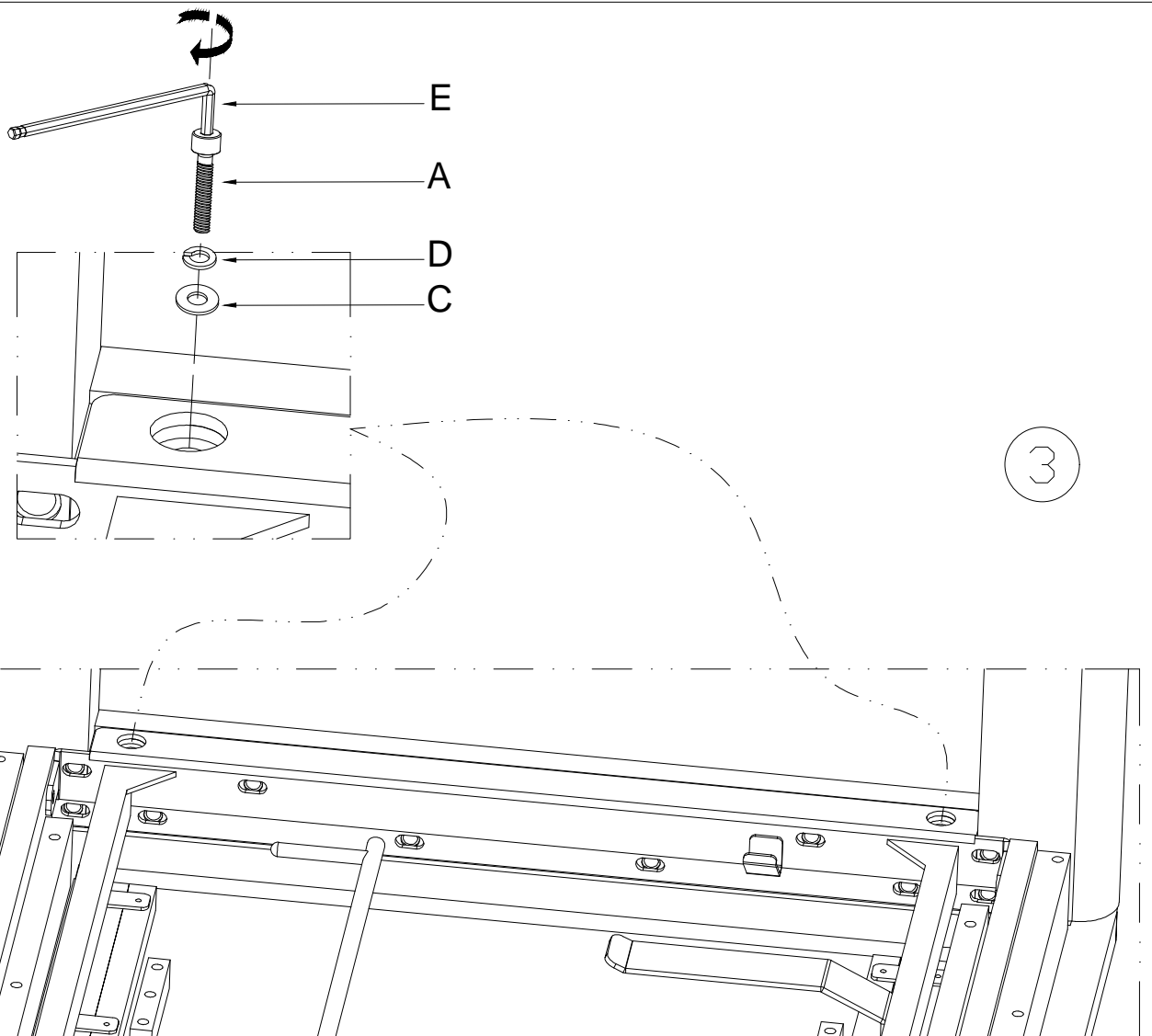
COMPONENTS



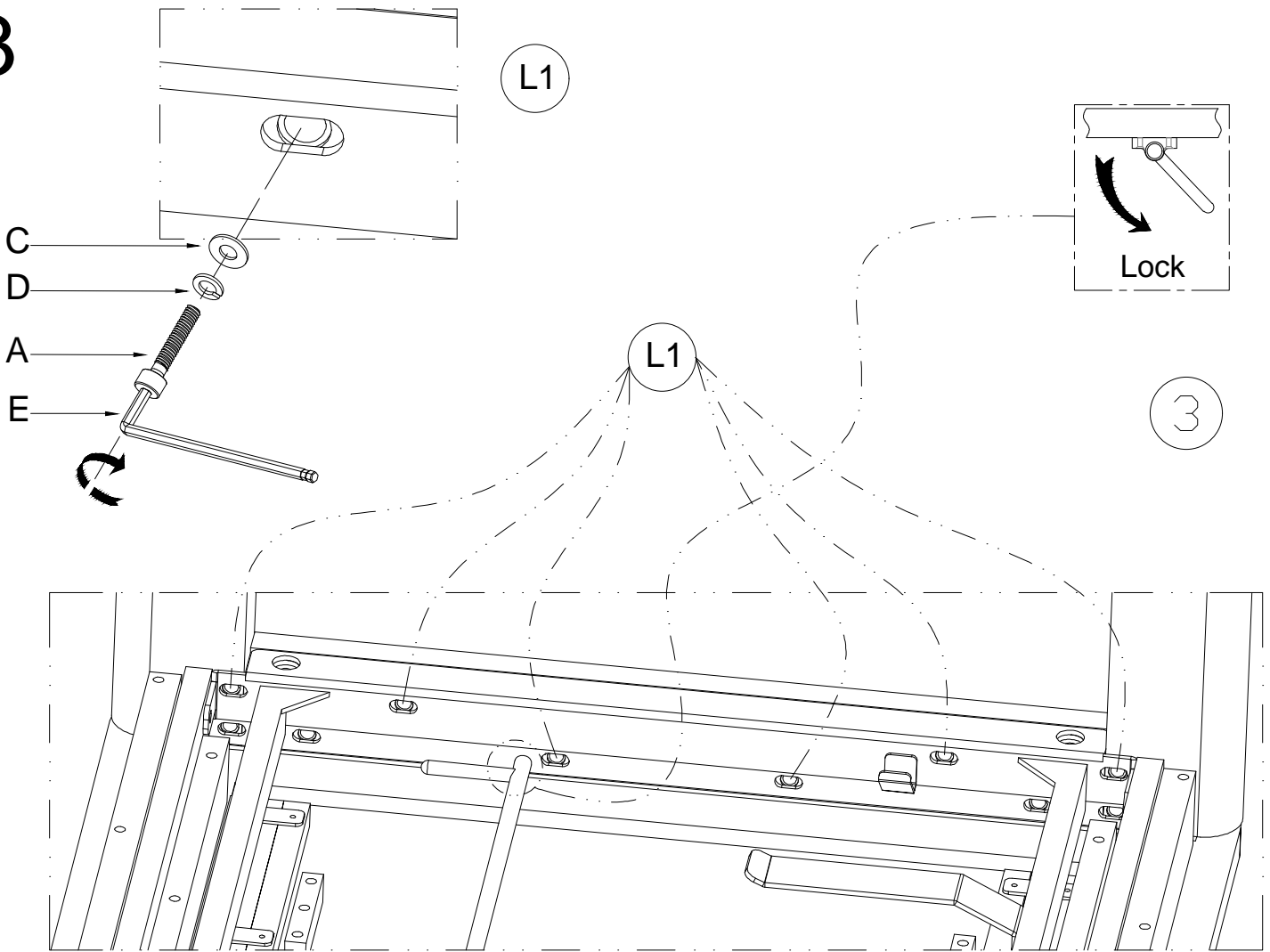
1



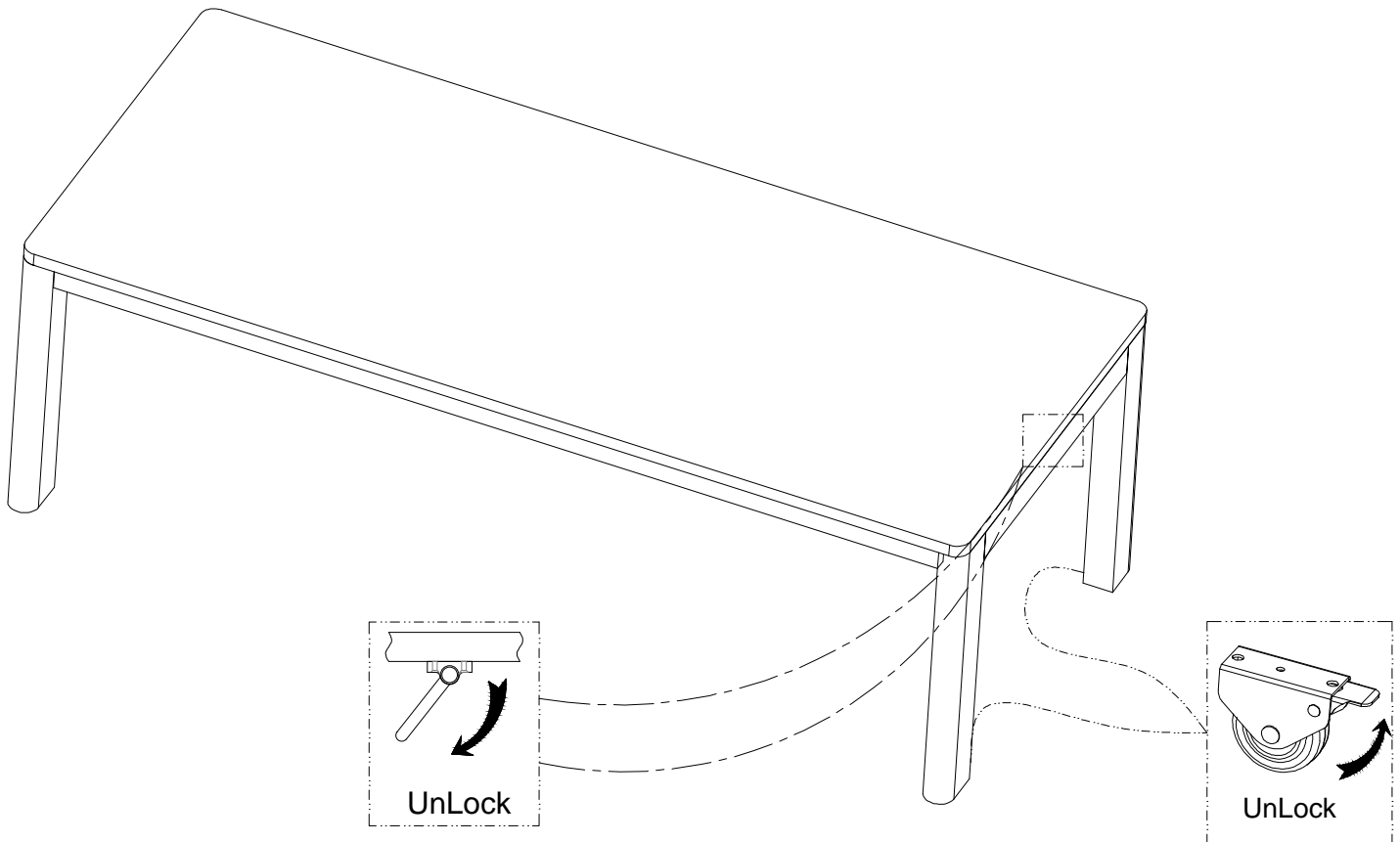
2



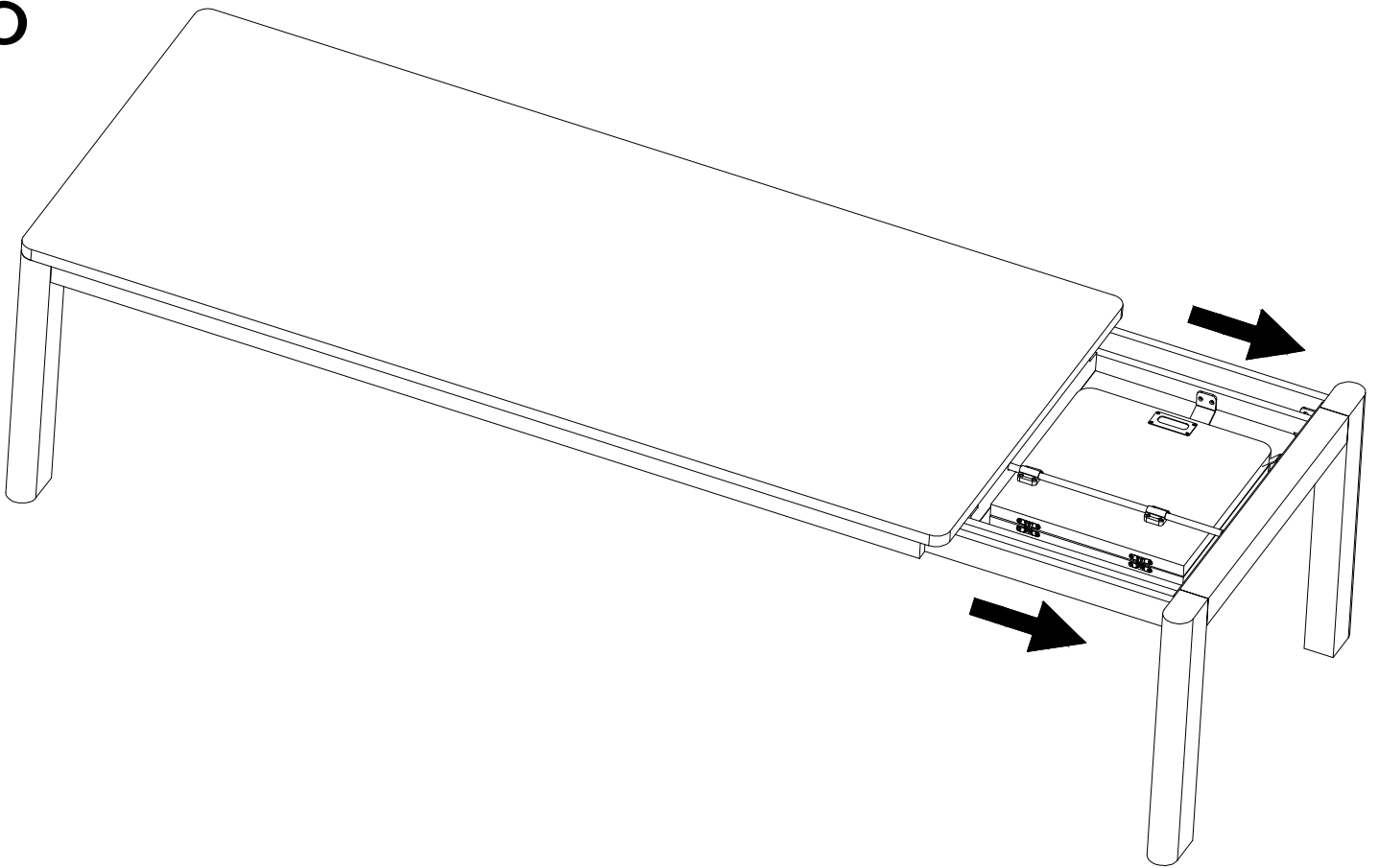
3



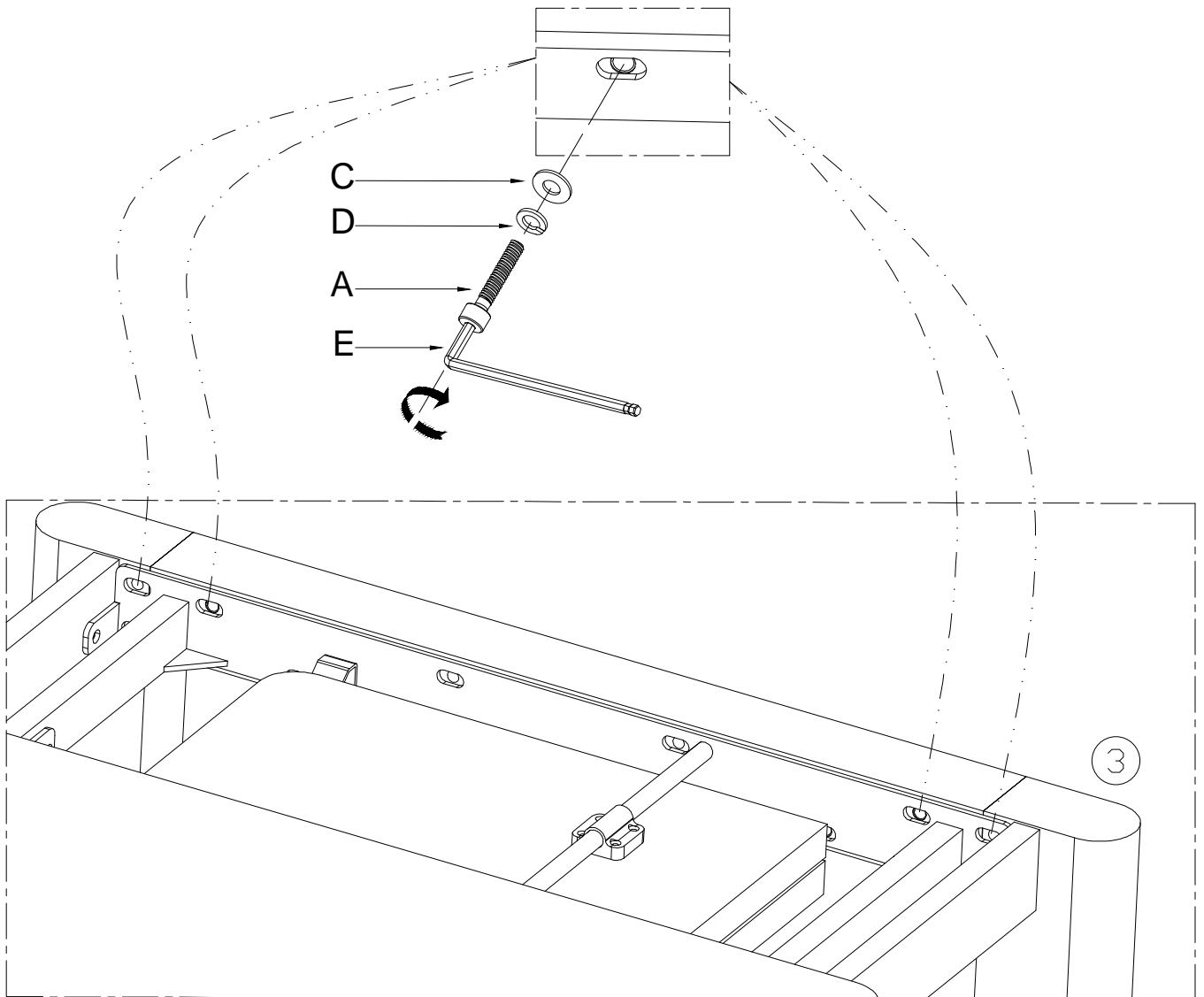
4



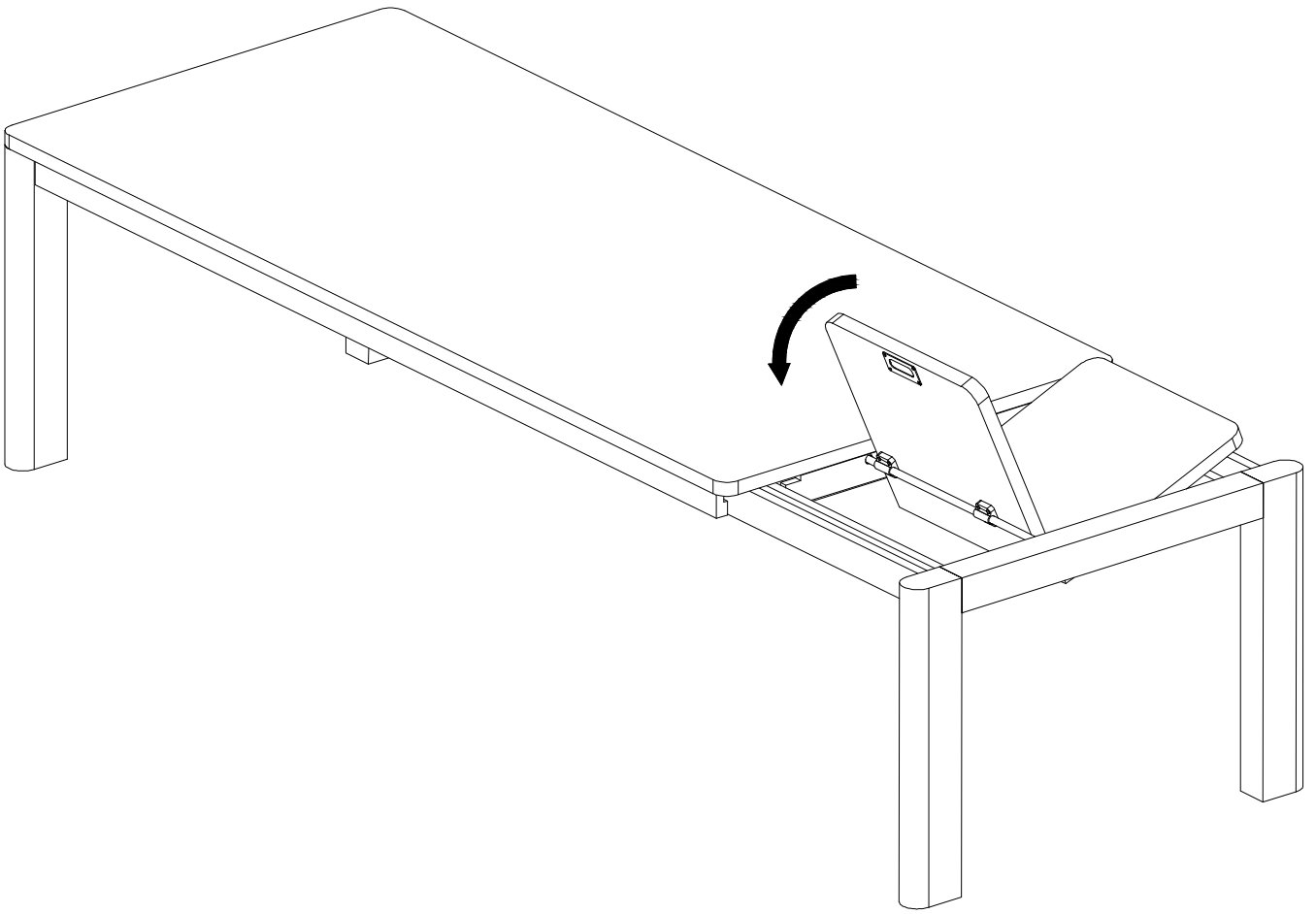
5



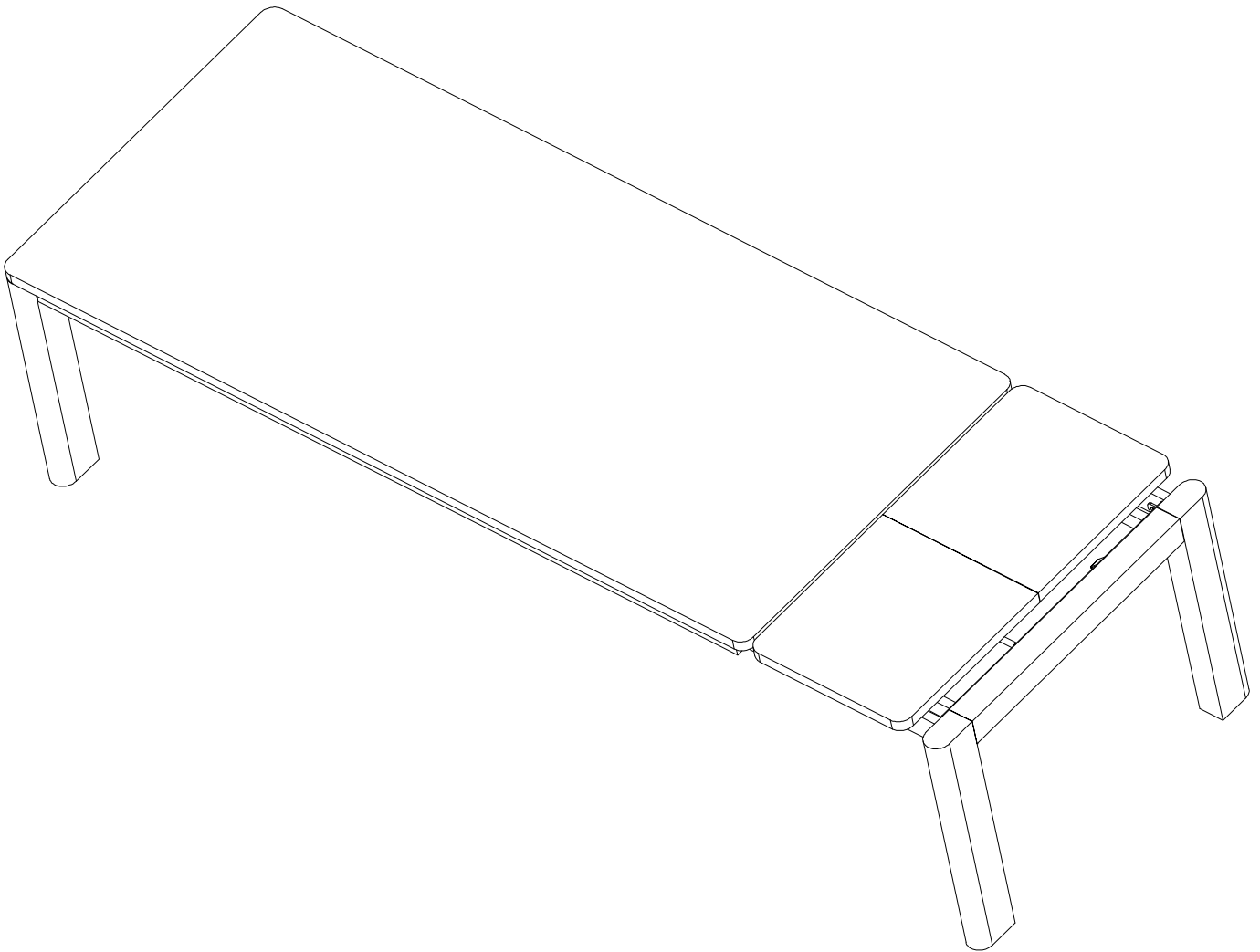
6



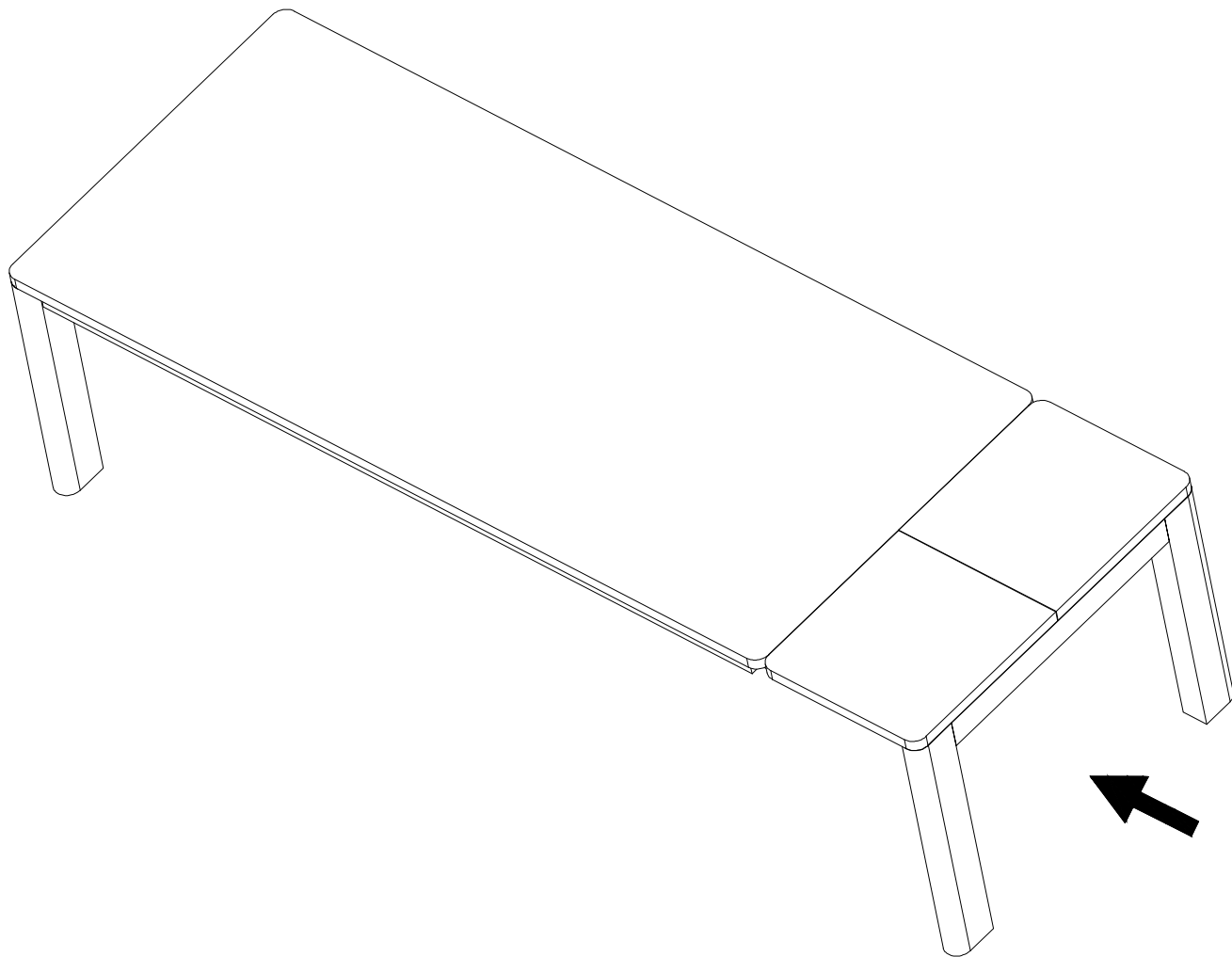
7



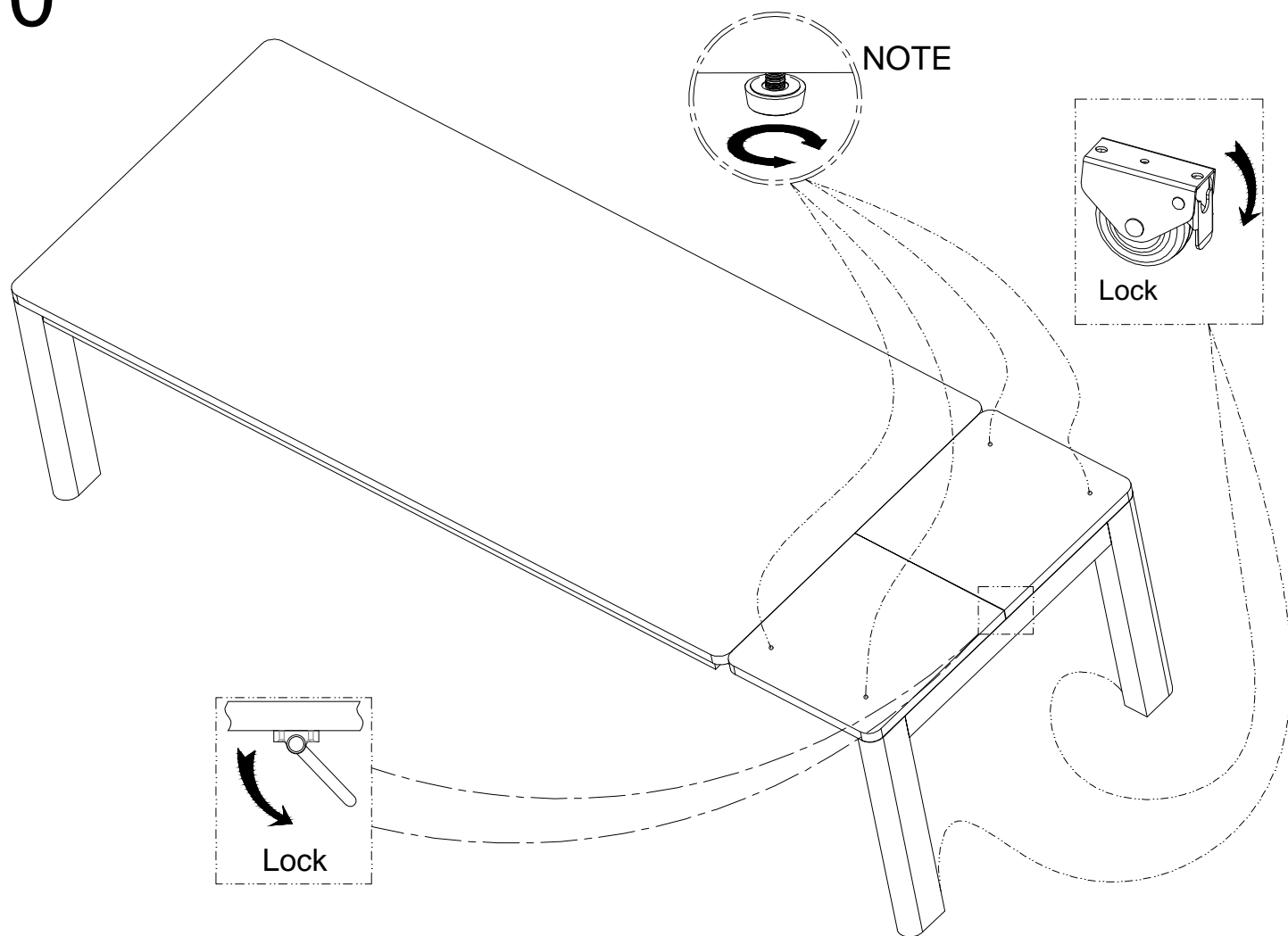
8



9

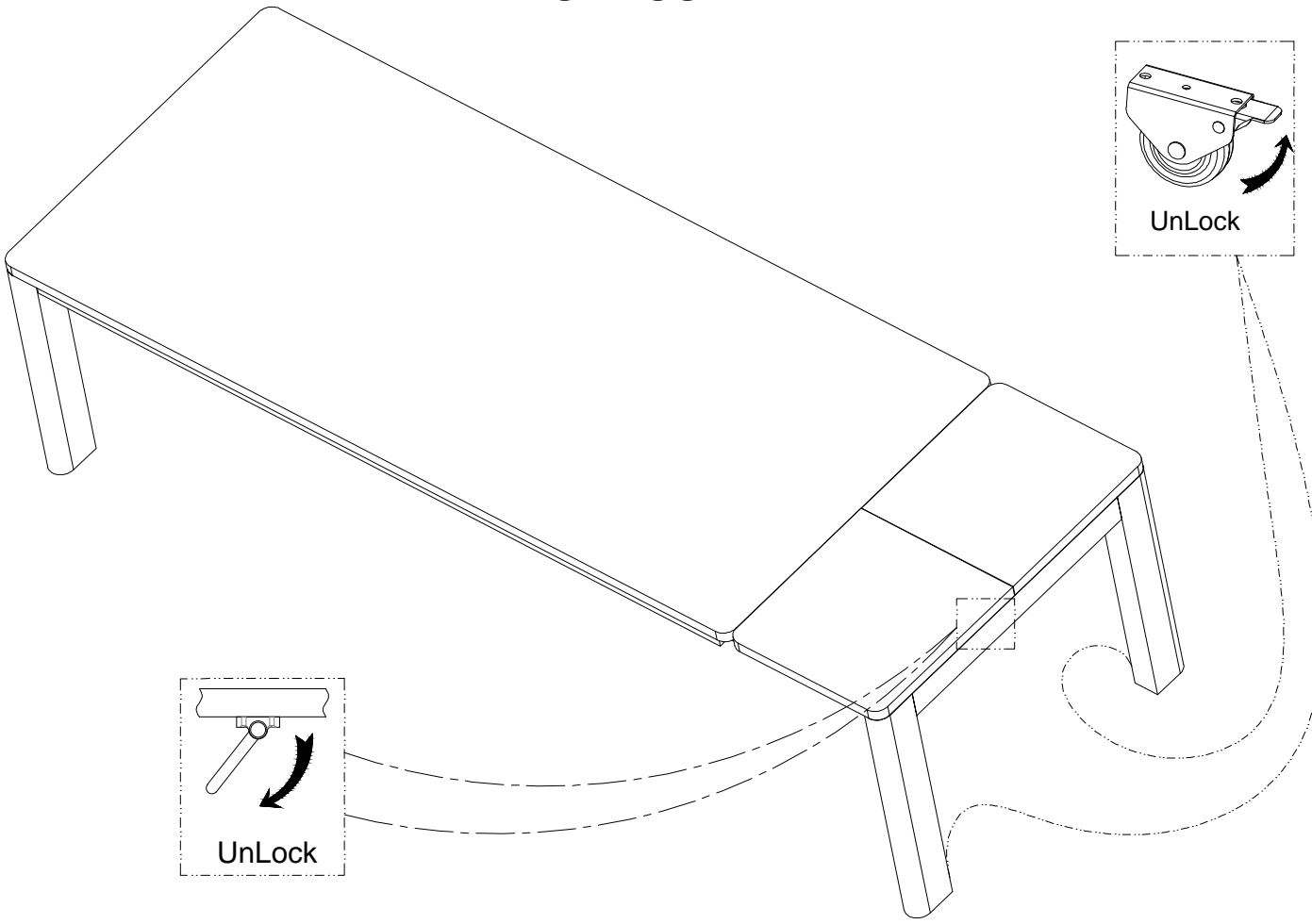


10

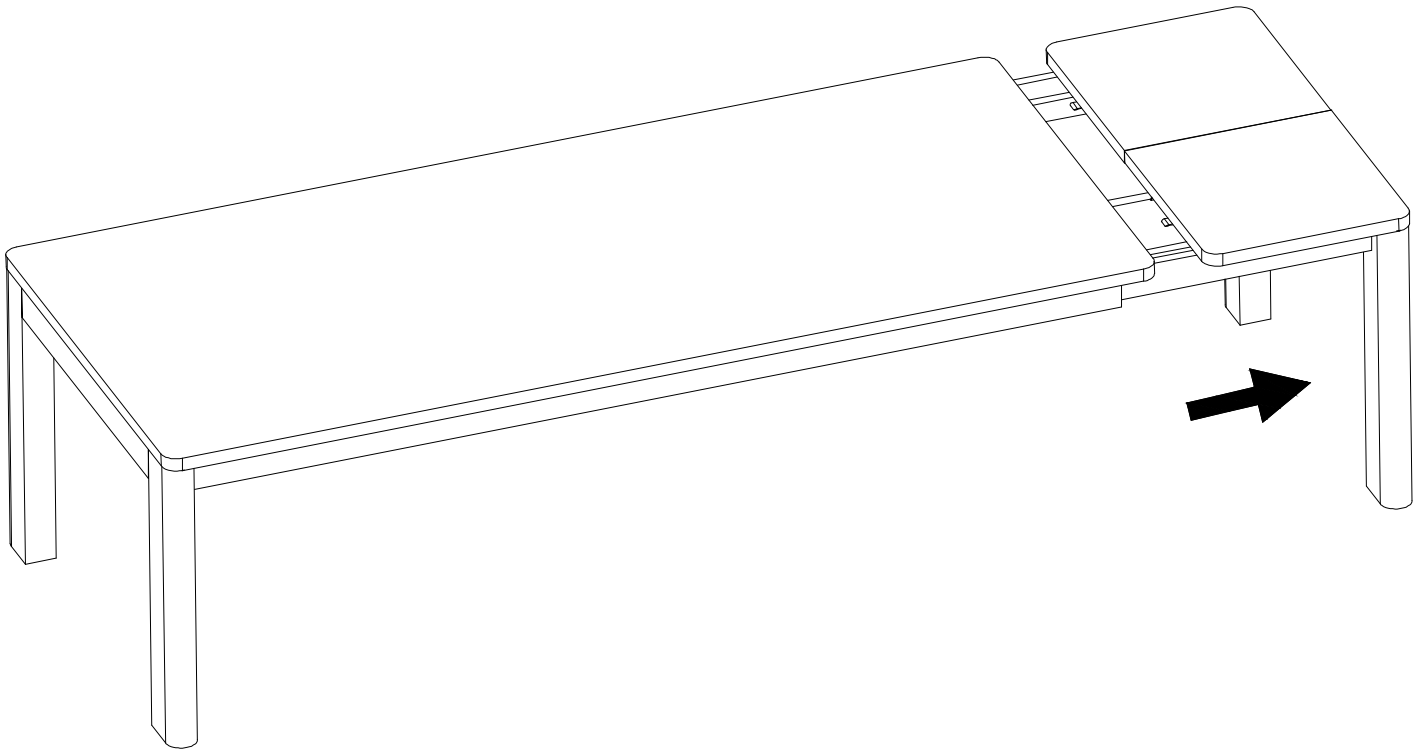


11

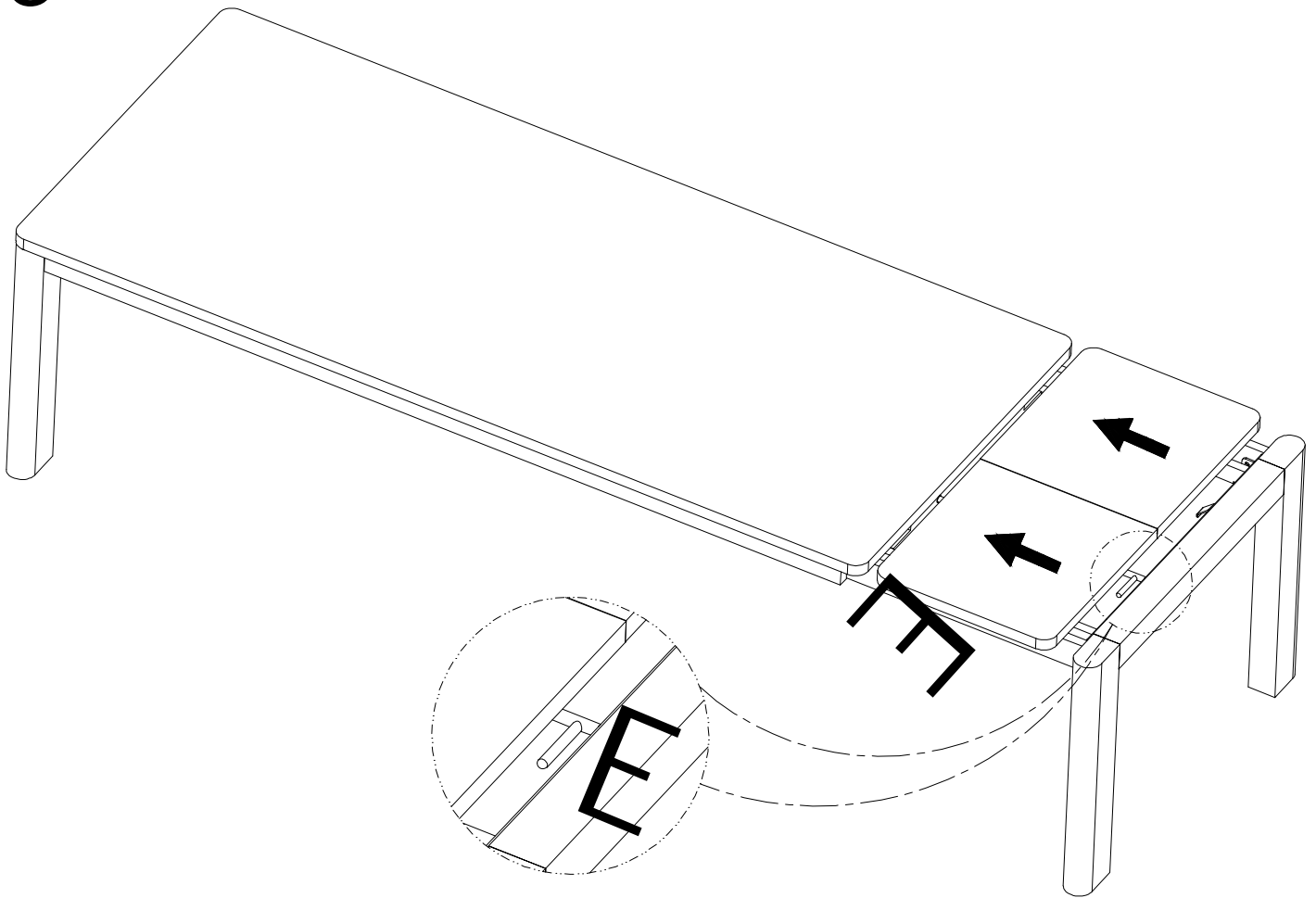
MANUAL USER



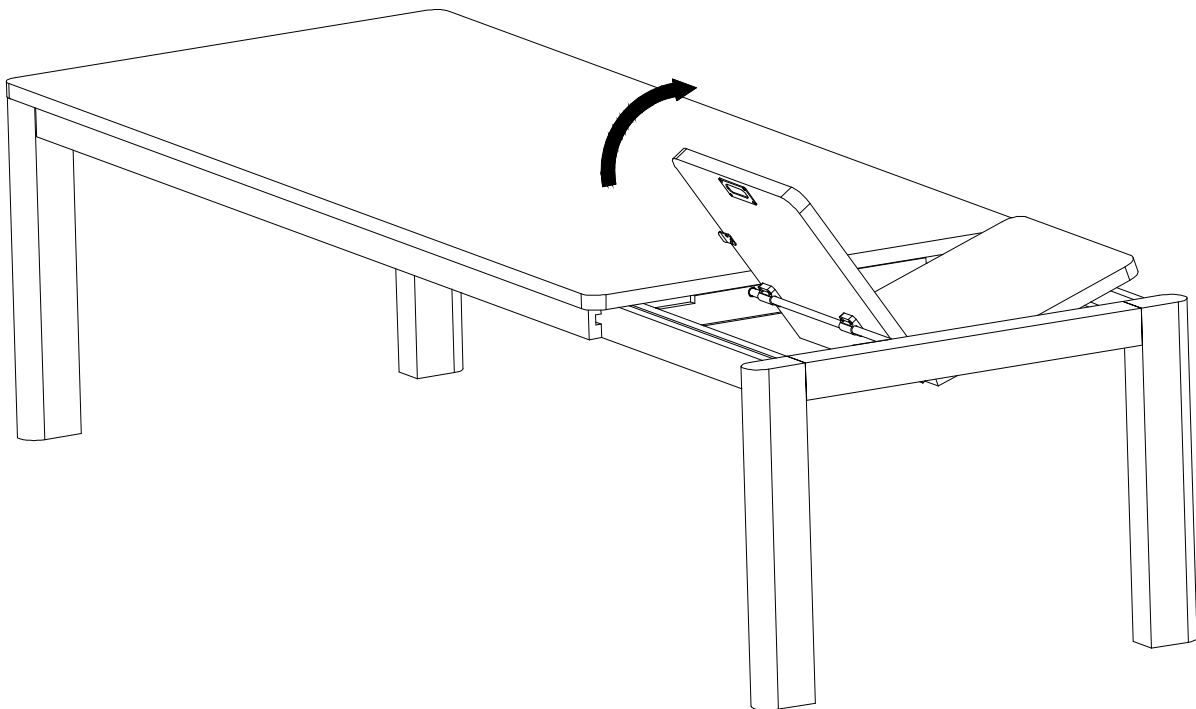
12



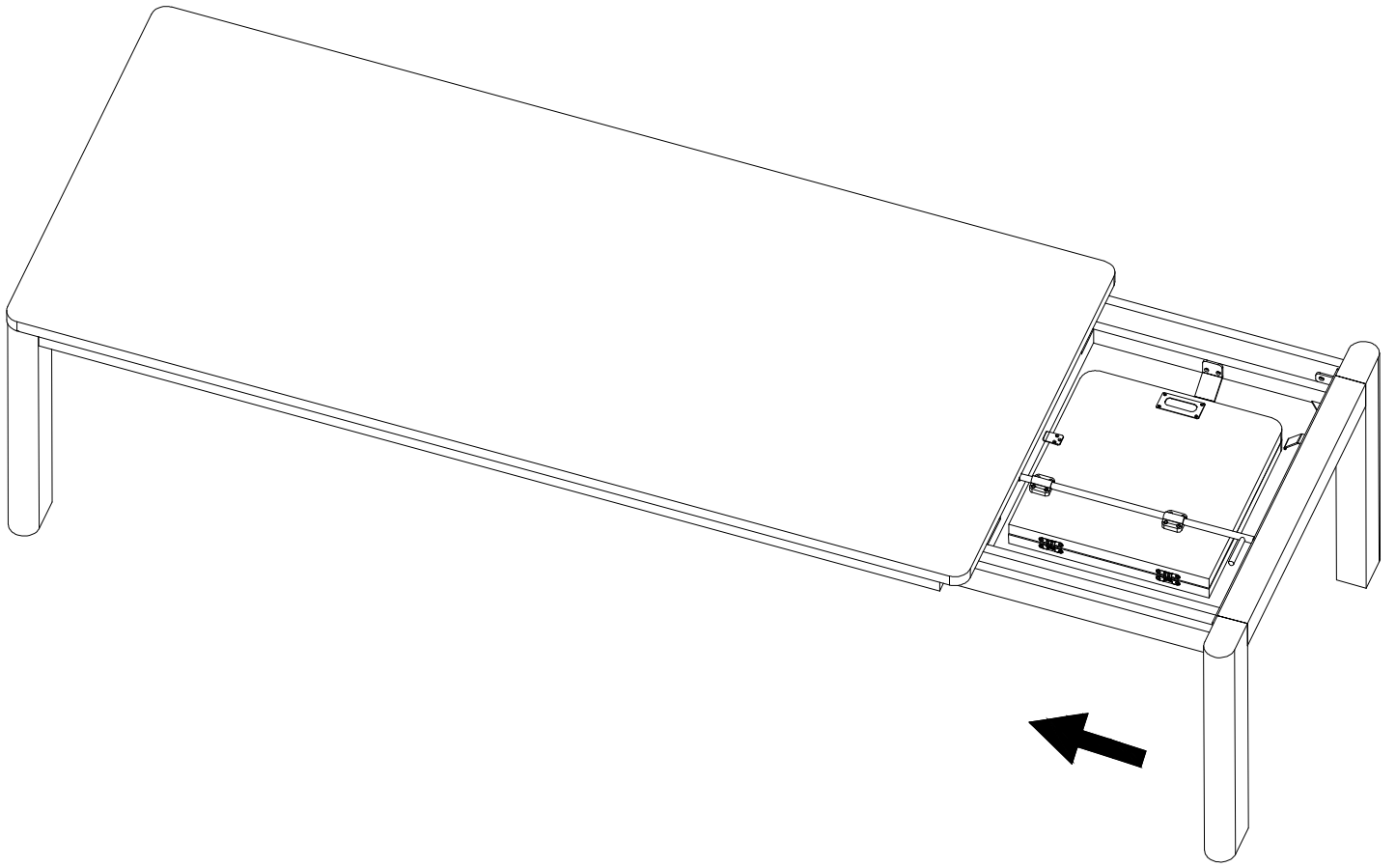
13



14



15



16

