
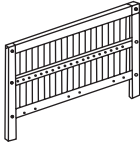
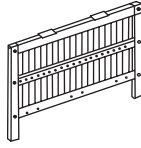



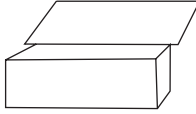





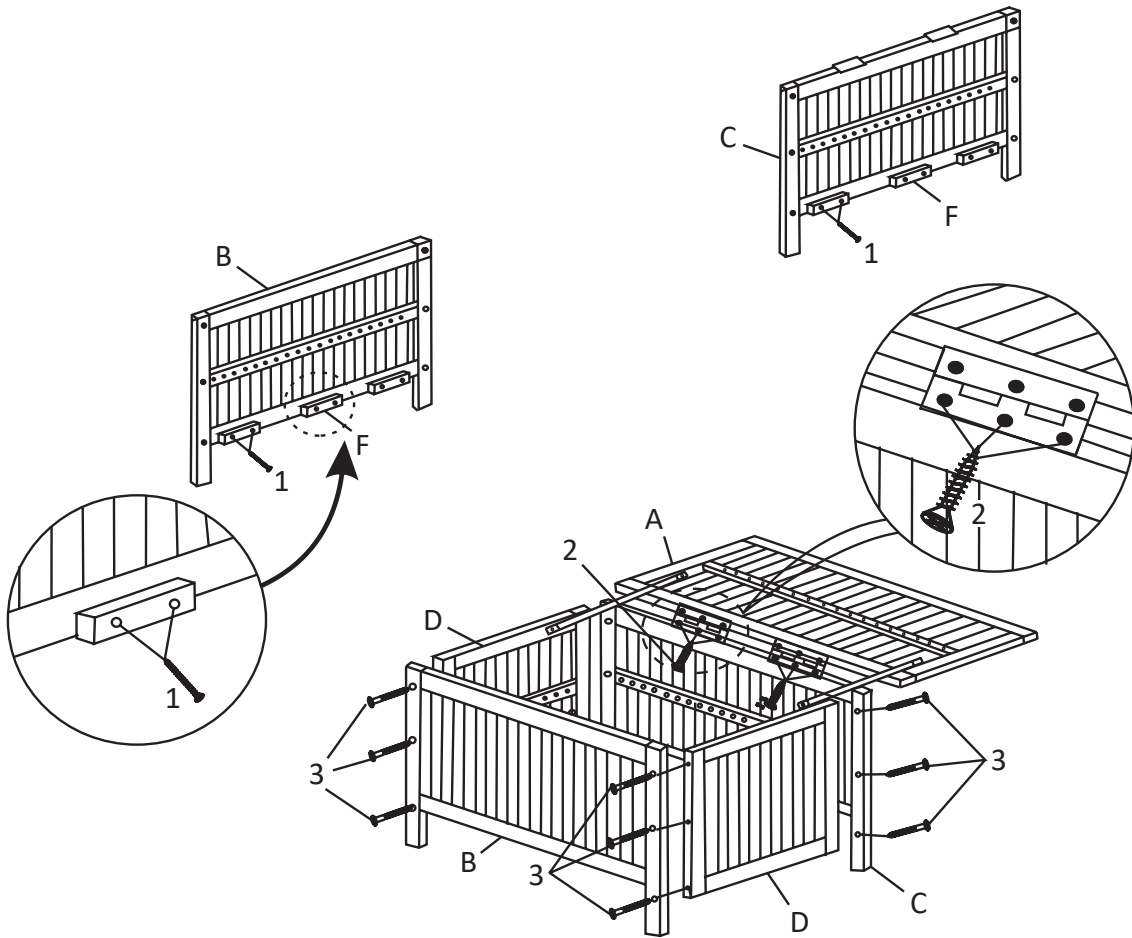


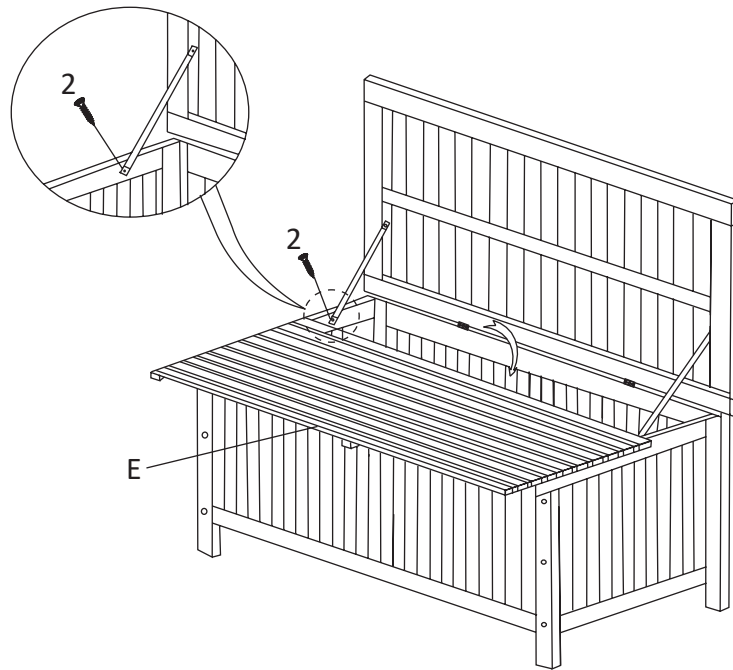
Installation & Assembly

<p>A 1pc</p> 	<p>B 1pc</p> 	<p>C 1pc</p> 	<p>D 2pcs</p> 
<p>E 1pc</p> 	<p>F 6pcs</p> 	<p>G 1pc</p> 	<p>1 12pcs</p>  <p>M4x $\frac{30}{1.2}$</p>
<p>2 8pcs</p>  <p>M4x $\frac{15}{0.6}$</p>	<p>3 12pcs</p>  <p>M6x $\frac{50}{2.0}$</p>	<p>4 1pc</p>  <p>M4</p>	 <p>mm inch x2</p>

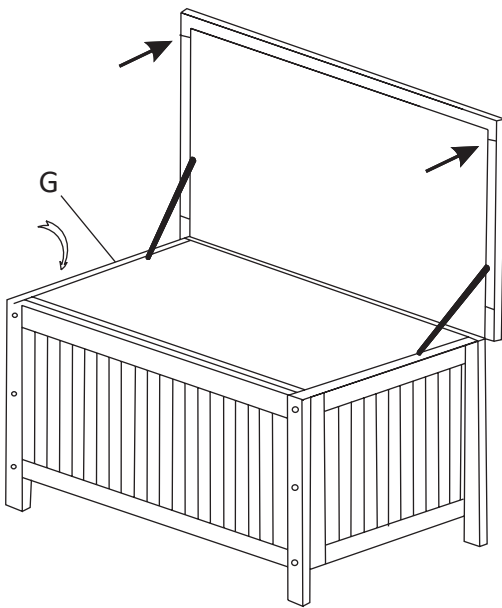
1



2



3



4

