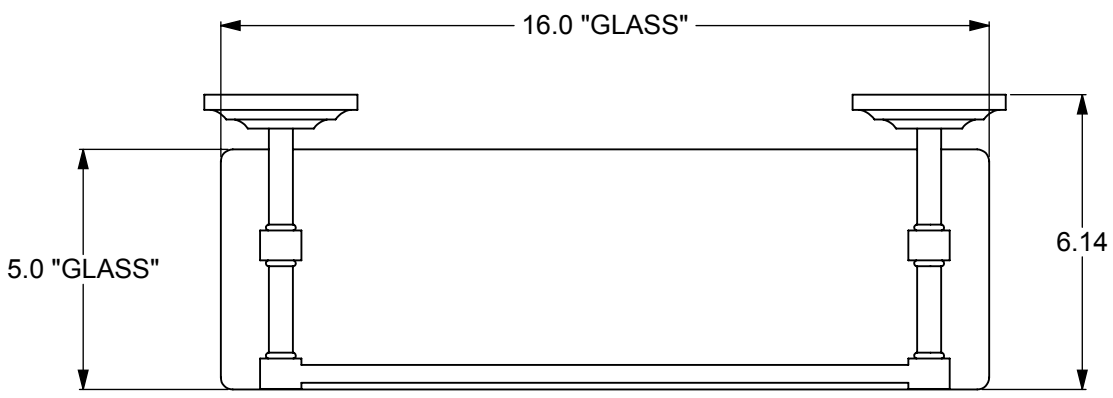
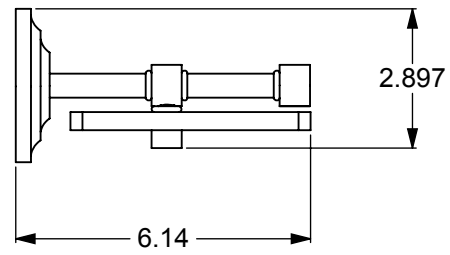
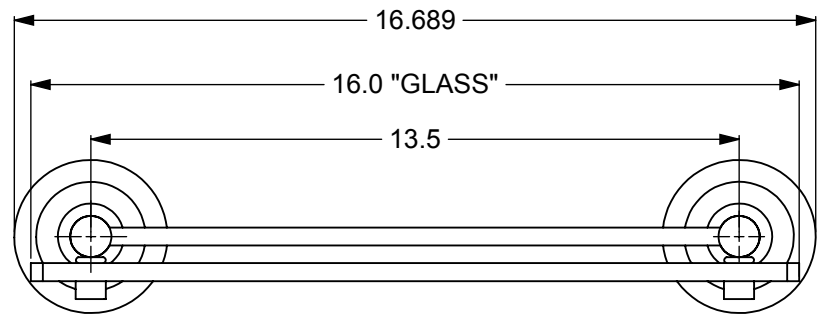
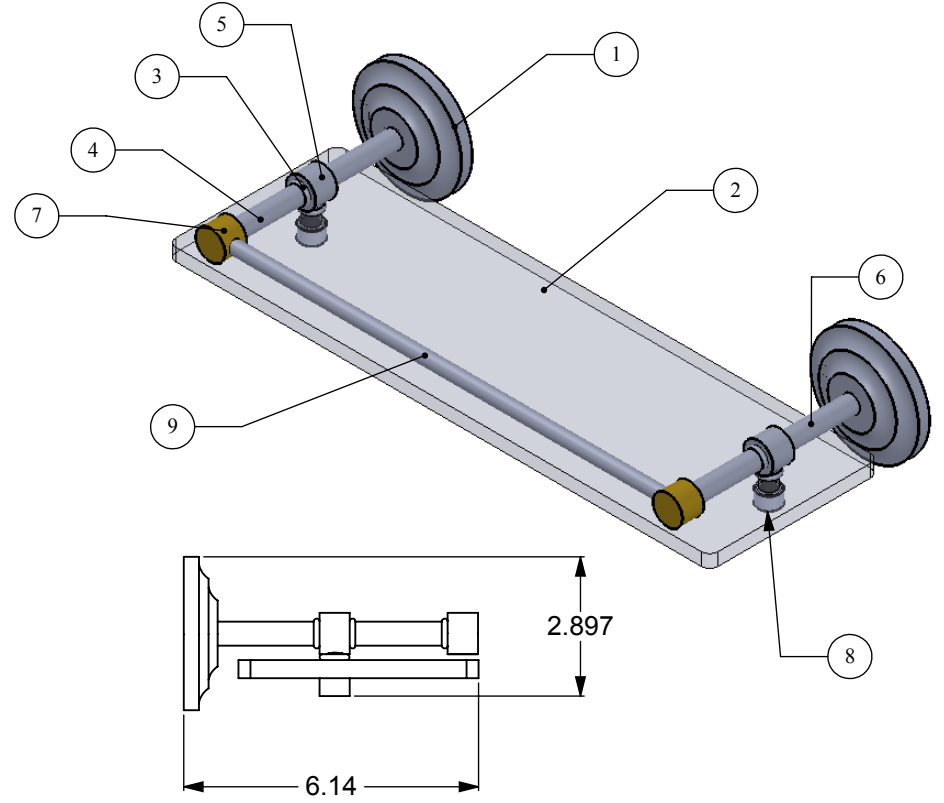
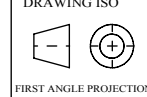


| ITEM NO. | PART NUMBER | DESCRIPTION | QTY. |
|----------|--------------|-----------------|------|
| 1 | BPQN | Back Plate | 2 |
| 2 | GLRT-16 | GLASS | 1 |
| 3 | CRRD-12 | Connector | 8 |
| 4 | TU12-1.8 | Tube-12, L=1.8 | 2 |
| 5 | MR-TILT-FITT | HUB-CON | 2 |
| 6 | TU12-2 | Tube-12, L=2 | 2 |
| 7 | HBTTT-78 | Hub | 2 |
| 8 | CARD-58 | LOCK | 2 |
| 9 | TU38-13.5 | TUBE -38,L=13.5 | 2 |



| UNLESS OTHERWISE STATED | | | INITIALS | DATE | ITEM | QTY | DRG/PART NO | CLIENT: | | | |
|-------------------------|-------|----------|----------|------|--------------|-----|-------------|---------|-------------|-------------|-----|
| DO NOT SCALE | X.XXX | +/-0.025 | DESIGNED | | MATERIAL | | BRASS | WEIGHT | | FINISH | TBD |
| DRAWING | X.XX | +/-0.1 | DRAWN | | HEAT TREAT | | NA | | | QUANTITY | |
| CHAMFER ALL | X | +/-0.25 | CHECKED | | CUSTOMER | | | | CUSTOMER No | --- | |
| EDGES 0.5X45° | | | PROJ.ENG | | DESCRIPTION: | | | | | DRAWING No. | REV |
| DRAWING ISO | | | SAFETY | | | | | | | | 0 |
| | | | APPROVED | | | | | | | | |
| | | | FILENAME | | | | | | | SCALE | 1:4 |
| | | | | | | | | | | SHEET: 01 | A4 |



ANGLES
 X.XX +/-0.05*
 X.X +/-0.1*
 X +/-0.5*
 MACHINED FINISH
 3.2

FIRST ANGLE PROJECTION