

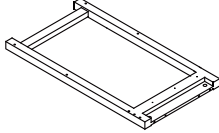
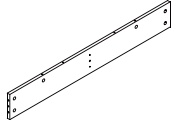
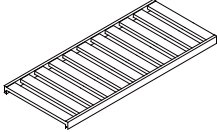
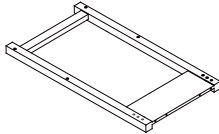
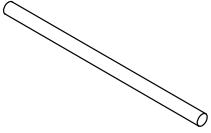
CARE AND MAINTENANCE

Always use felt pads under all articles to prevent discoloration or softening of the lacquer. Plastic and rubber bases on items can discolor wood. Wipe up spills immediately and avoid common hazards such as hot dishes, harsh solvents and abrasives. Cleaning should be done with a soft lint free cotton cloth dampened with water or furniture polish. On highly used surfaces we recommend applying a quality paste wax which should be used on a regular basis to provide additional protection from scratches and spills. How often you apply the wax depends on how much wear the furniture receives.

NOTICE

- * Please make sure that you have all parts indicated before you begin assembly on this item.
- * This item should be assembled on a soft surface to prevent scratching/dirty the surface during assembly.
- * This item may require periodic tightening.

Part List and Hardware List

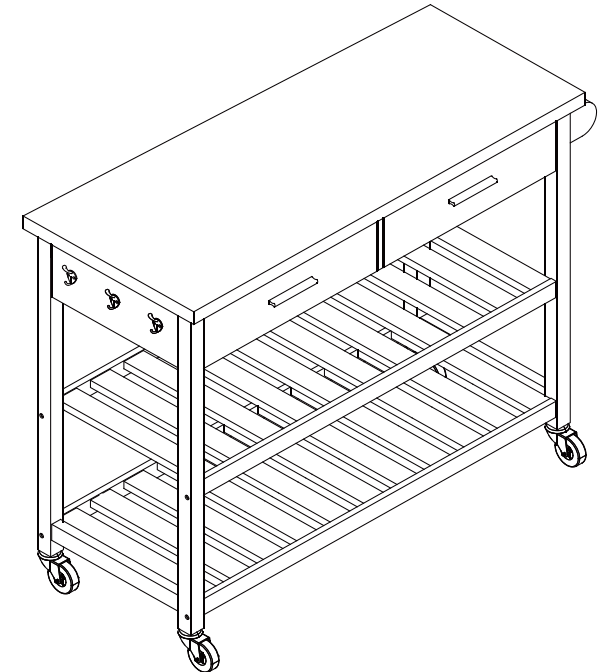
PIECE	DESCRIPTION	PICTURE	QUANTITY
A	Left Side Panel		1X
B	Back Crossbar		1X
C	Shelf		2X
D	Right Side Panel		1X
E	Towel Rod		1X

Item Dimension: W46.1" x D18.9" x H34.6"


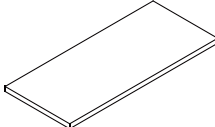
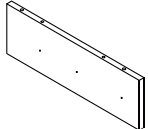
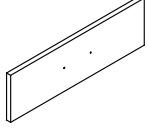
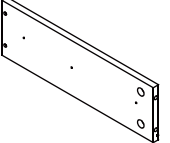
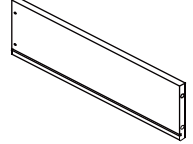
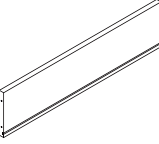
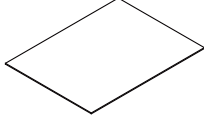
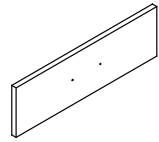
Item Weight Capacities :

Top Panel: 55LBS Shelf: 11LBS


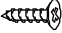







Drawer: 11LBS






Part List and Hardware List

PIECE	DESCRIPTION	PICTURE	QUANTITY
F	Towel Bar		2X
G	Top Panel		1X
H	Partition		1X
I	Drawer Front Panel		1X
J	Drawer Left Side Panel		2X
K	Drawer Right Side Panel		2X
L	Drawer Back Panel		2X
M	Drawer Bottom Panel		2X
N	Drawer Front Panel		1X

Part List and Hardware List

PIECE	DESCRIPTION	PICTURE	QUANTITY
HW1	Cabinet Slider		4X
HW2	Phillips Screw (M3x12mm)		30X
HW3	Hanger		3X
HW4	Bolt Nut		10X
HW5	Socket Screw (M5x60mm)		10X
HW6	Cam Bolt		20X
HW7	Cam Lock		20X
HW8	Wooden Dowel		15X
HW9	Wheel (with brake)		2X

Part List and Hardware List

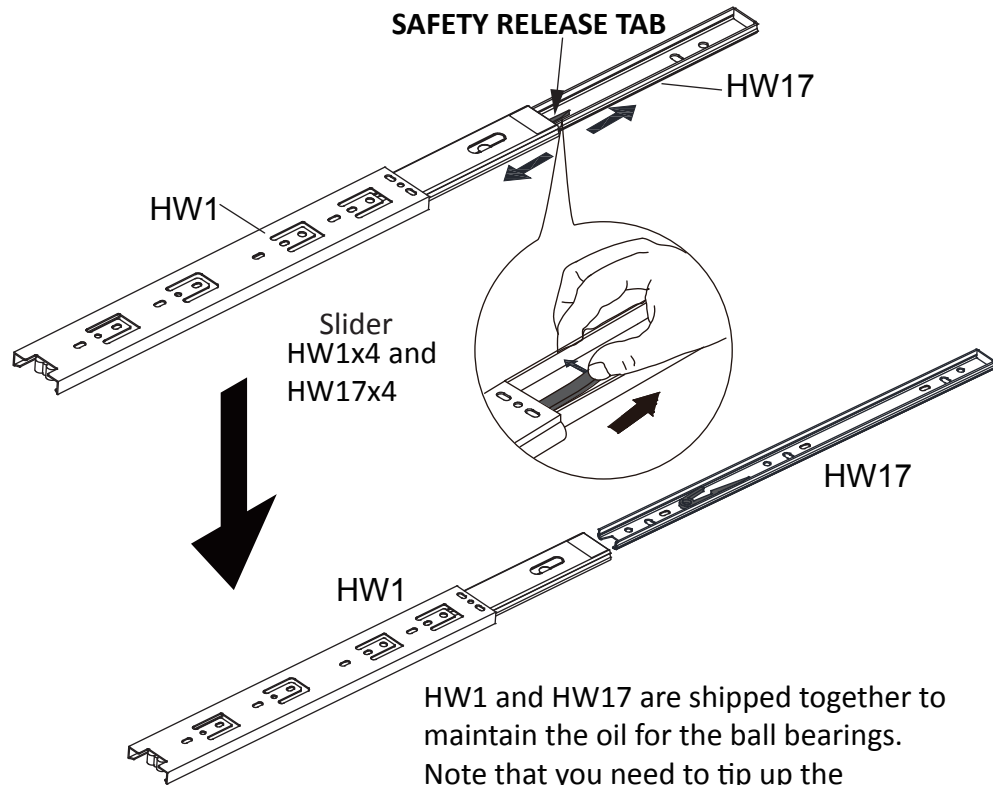
PIECE	DESCRIPTION	PICTURE	QUANTITY
HW10	Wheel		2X
HW11	Wrench		1X
HW12	Phillips Screw (M4x35mm)		2X
HW13	Phillips Screw (M4x30mm)		8X
HW14	Handle		2X
HW15	Phillips Screw (M4x18mm)		4X
HW16	Allen Key		1X
HW17	Drawer Slider		4X

PREPARATION

Before beginning assembly of product, make sure all parts are present. Compare parts with package contents list. If any part is missing or damaged, do not attempt to assemble the product.

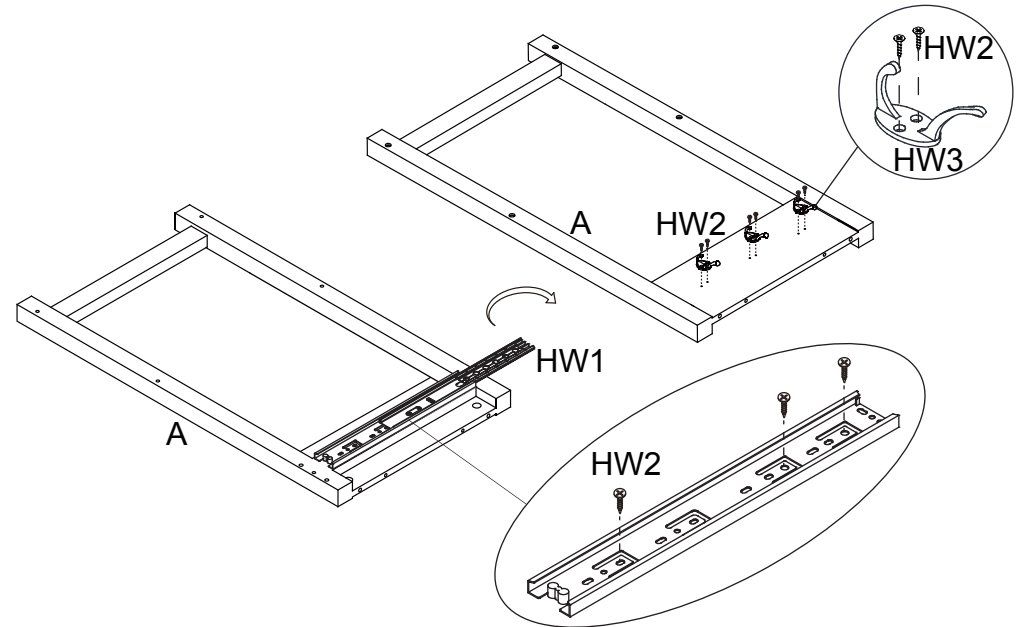
EstimatedAssemblyTime: 15 minutes.




1



HW1 and HW17 are shipped together to maintain the oil for the ball bearings. Note that you need to tip up the safety release tab to take out the HW17 part prior to assembly.

2



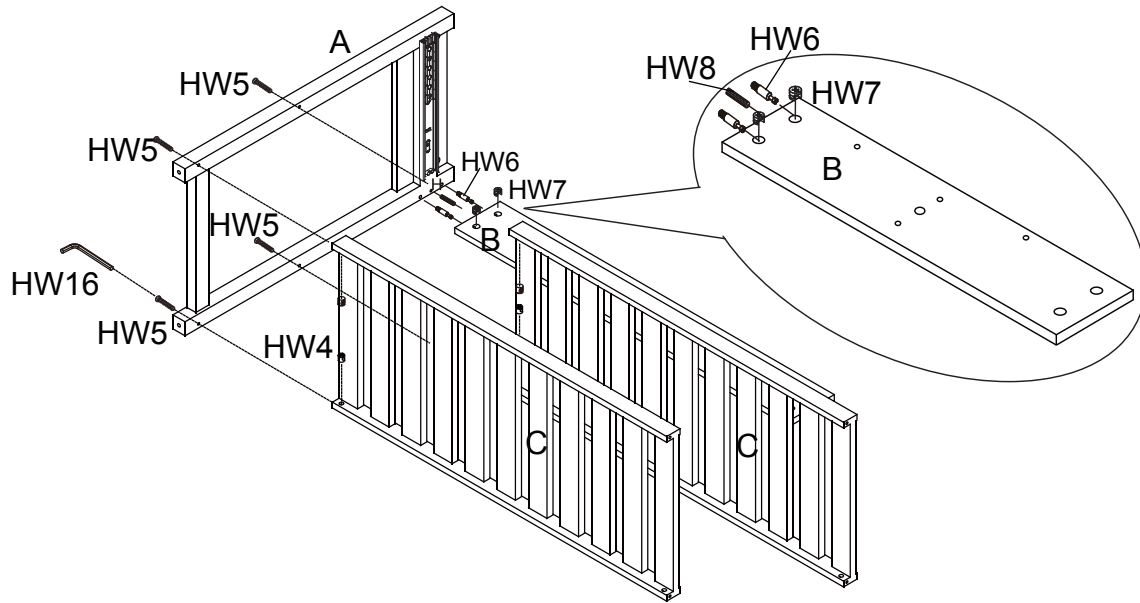
HW1 x1	
HW2 x9	
HW3 x3	

PREPARATION

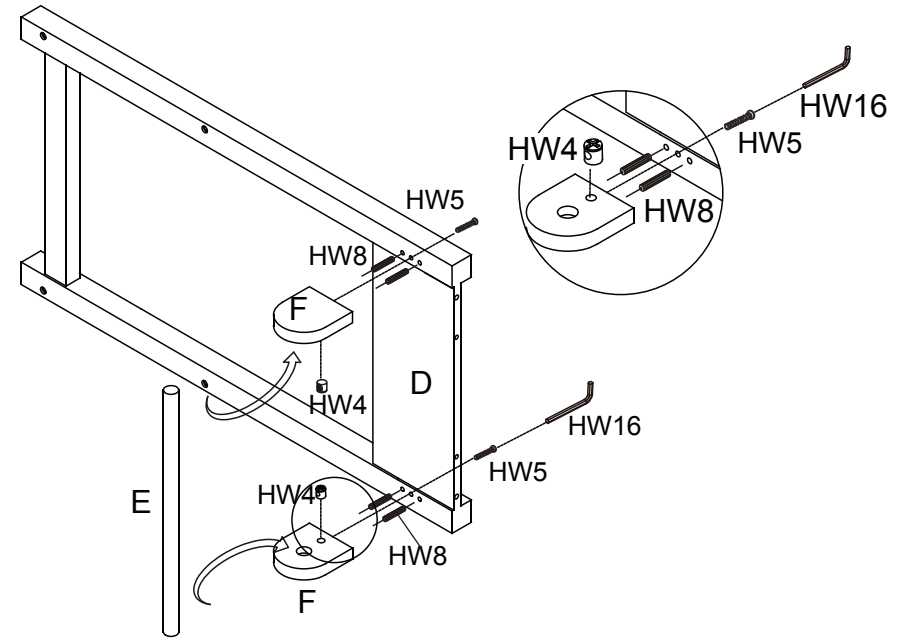
Before beginning assembly of product, make sure all parts are present. Compare parts with package contents list. If any part is missing or damaged, do not attempt to assemble the product.



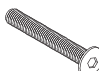

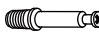

Estimated Assembly Time: 15 minutes.


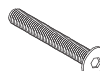

3



4



HW4 x4		HW7 x2	
HW5 x4		HW8 x1	
HW6 x2		HW16 x1	

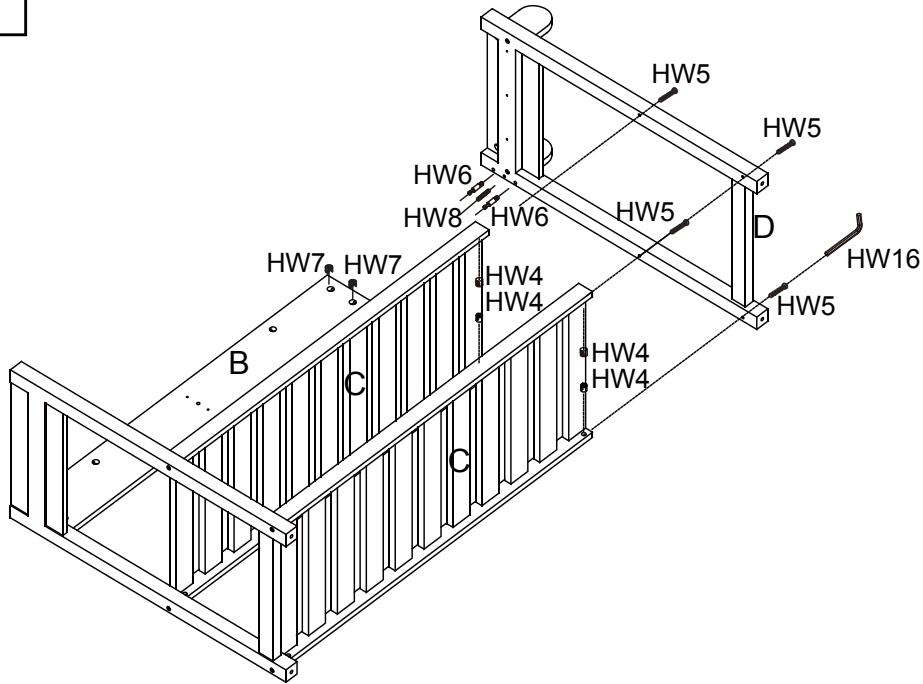
HW4 x2	
HW5 x2	
HW8 x4	

PREPARATION

Before beginning assembly of product, make sure all parts are present. Compare parts with package contents list. If any part is missing or damaged, do not attempt to assemble the product.

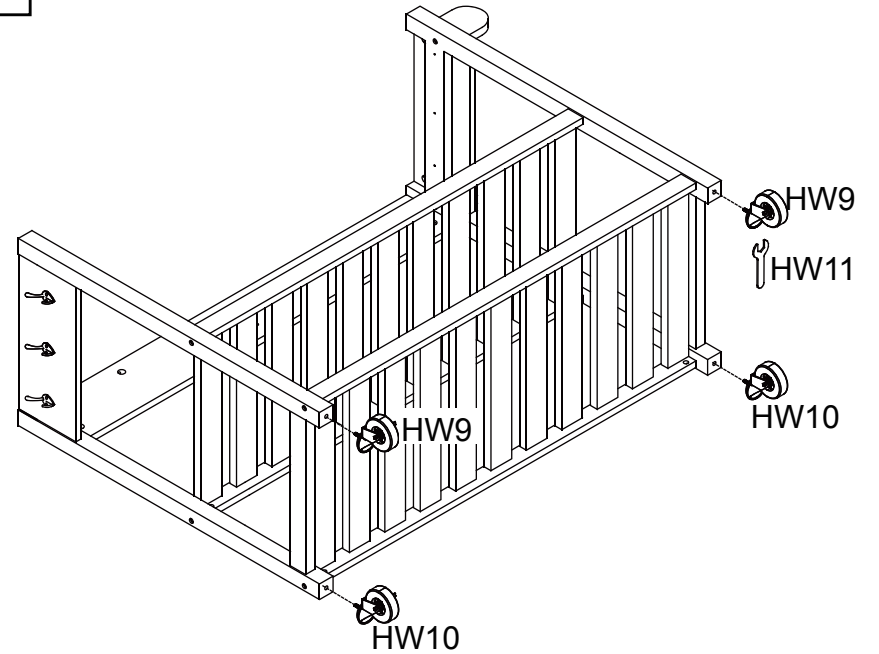
Estimated Assembly Time: 15 minutes.

5



HW4 x4			
HW5 x4		HW7 x2	
HW6 x2		HW8 x1	

6



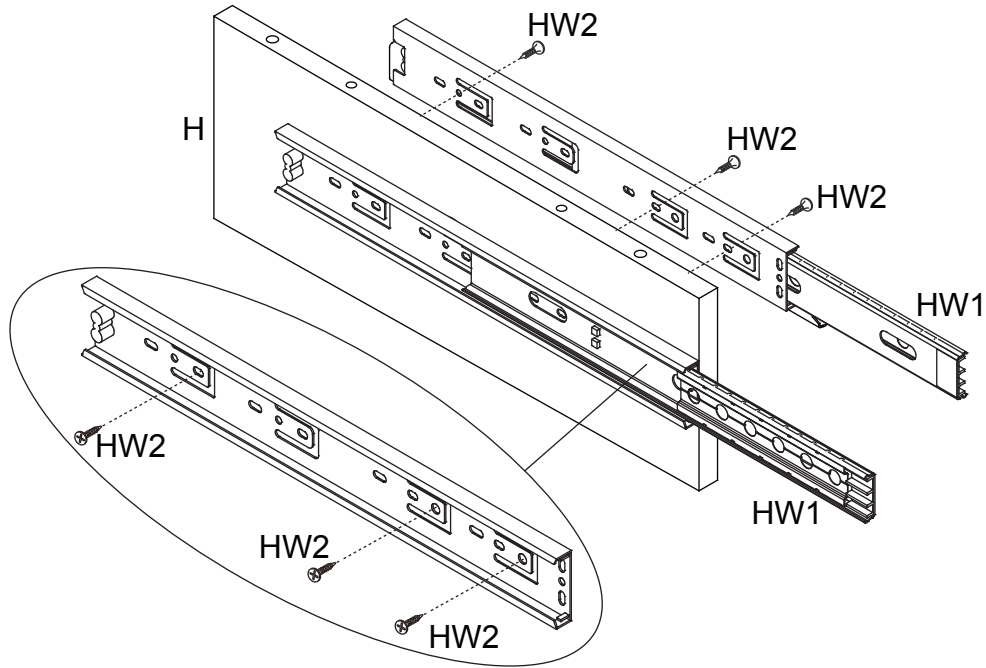
HW9 x2			
HW10 x2			
HW11 x1			

PREPARATION

Before beginning assembly of product, make sure all parts are present. Compare parts with package contents list. If any part is missing or damaged, do not attempt to assemble the product.

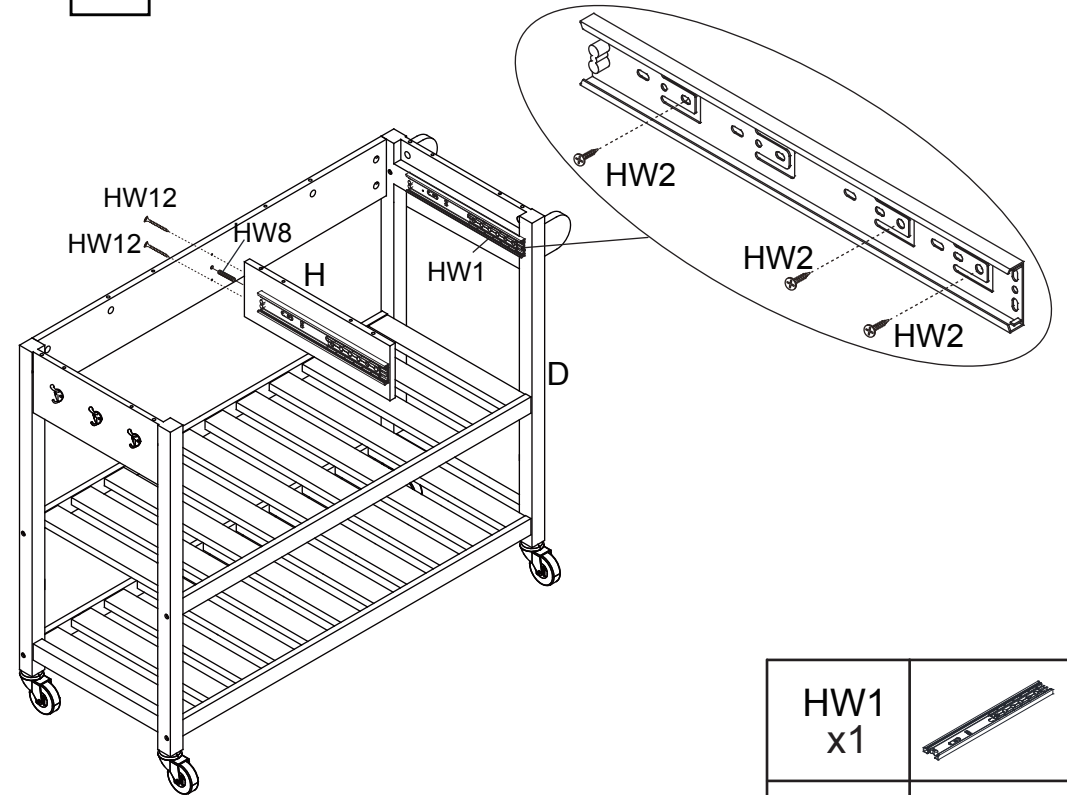
Estimated Assembly Time: 15 minutes.

7



HW1 x2	
HW2 x6	

8



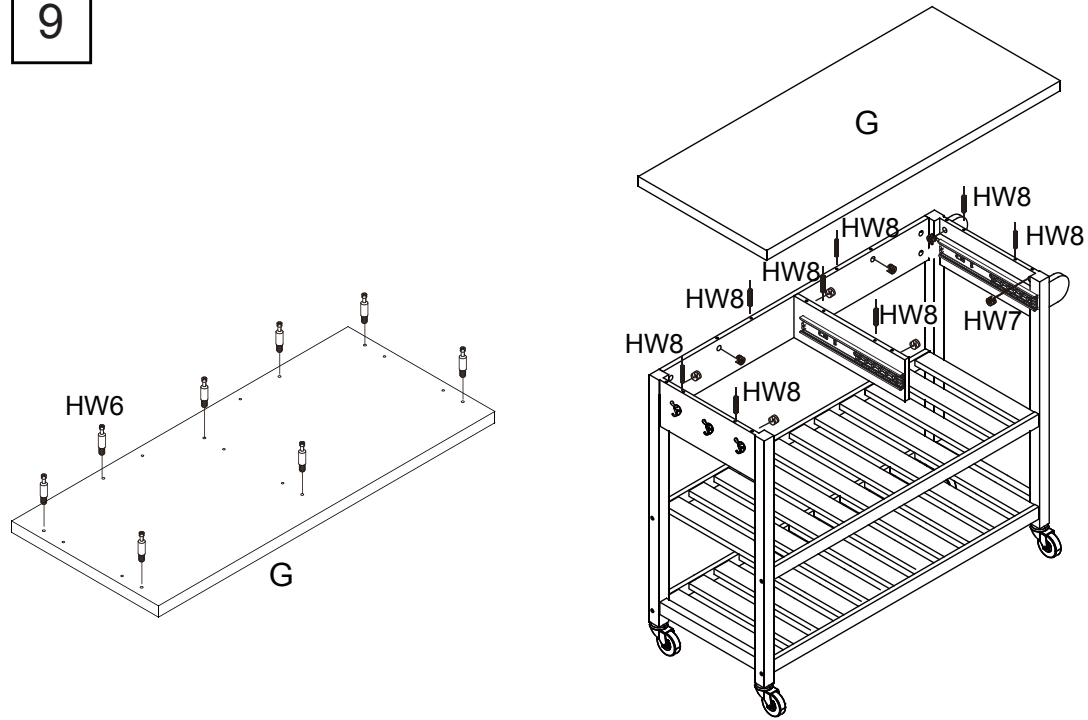
HW1 x1	
HW2 x3	
HW8 x1	
HW12 x2	

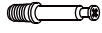


PREPARATION

Before beginning assembly of product, make sure all parts are present. Compare parts with package contents list. If any part is missing or damaged, do not attempt to assemble the product.

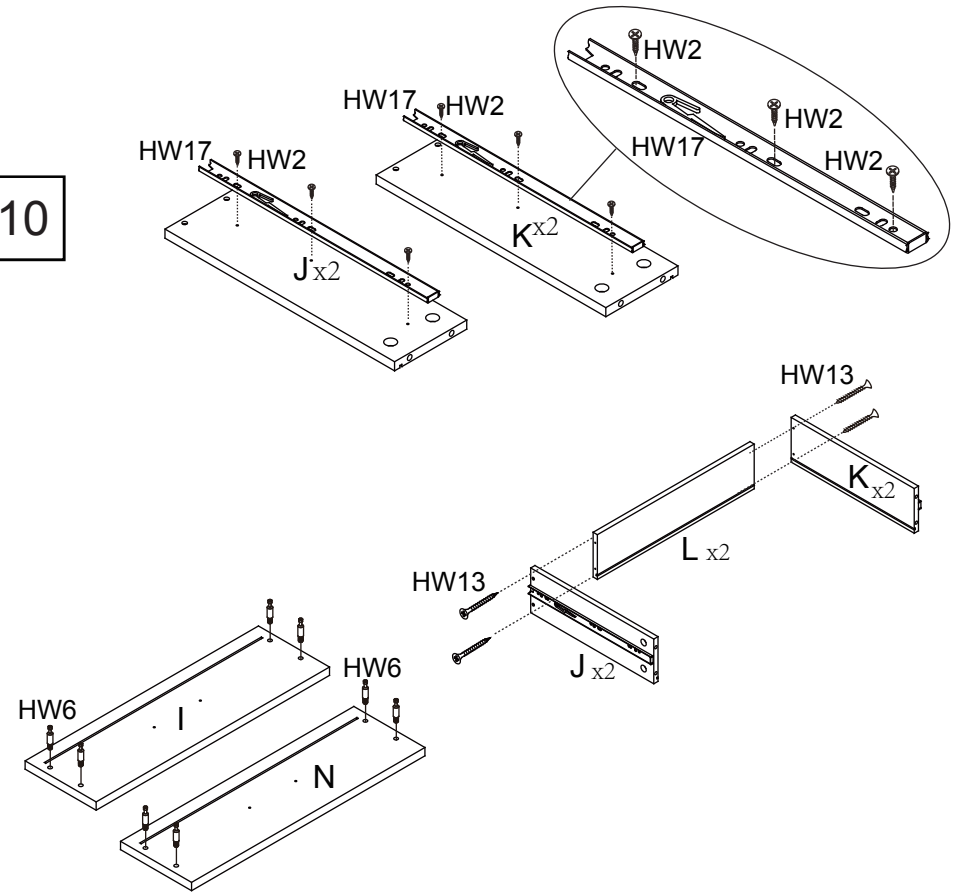
Estimated Assembly Time: 15 minutes.


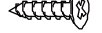

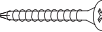
9



HW6 x8	
HW7 x8	
HW8 x8	

10



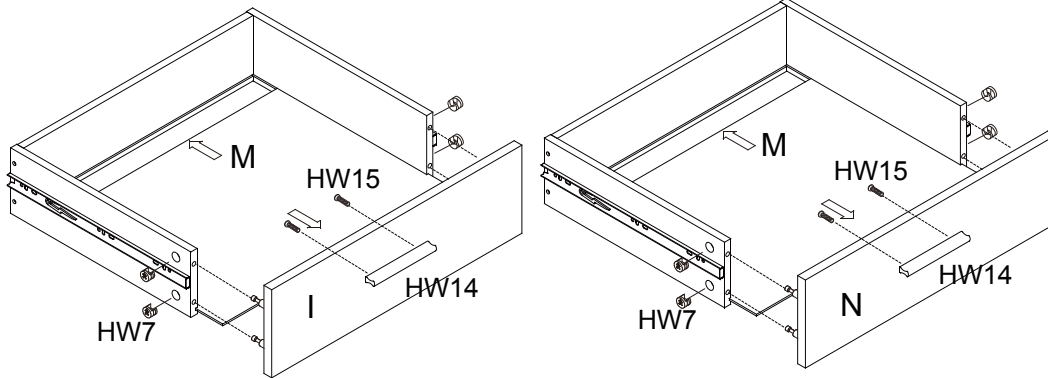
HW17 x4	
HW2 x12	
HW6 x8	
HW13 x8	

PREPARATION

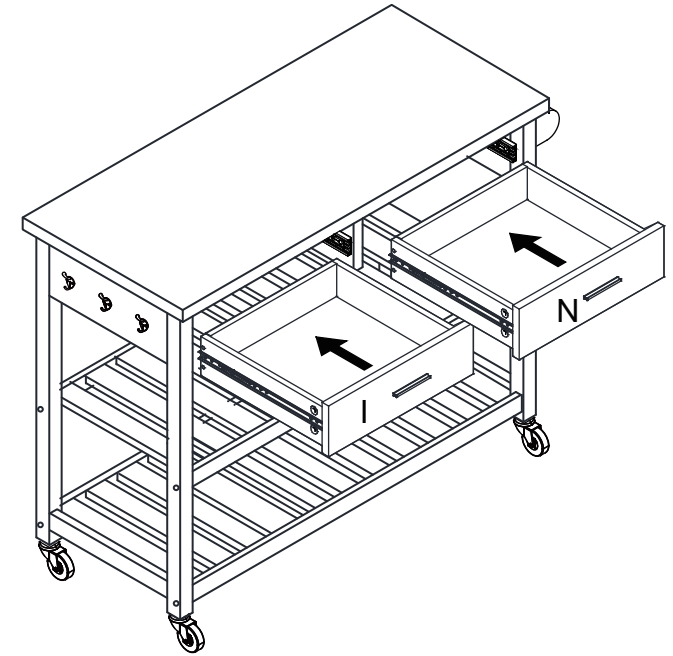
Before beginning assembly of product, make sure all parts are present. Compare parts with package contents list. If any part is missing or damaged, do not attempt to assemble the product.

Estimated Assembly Time: 15 minutes.

11



12



Insert the drawer into the assembled body as shown.

HW1 ✓

HW1 ✗

Slide bearings forward to the end.
(Don't insert when the part in the middle)

Before pushing in, make sure the 2 parts are connected in place.

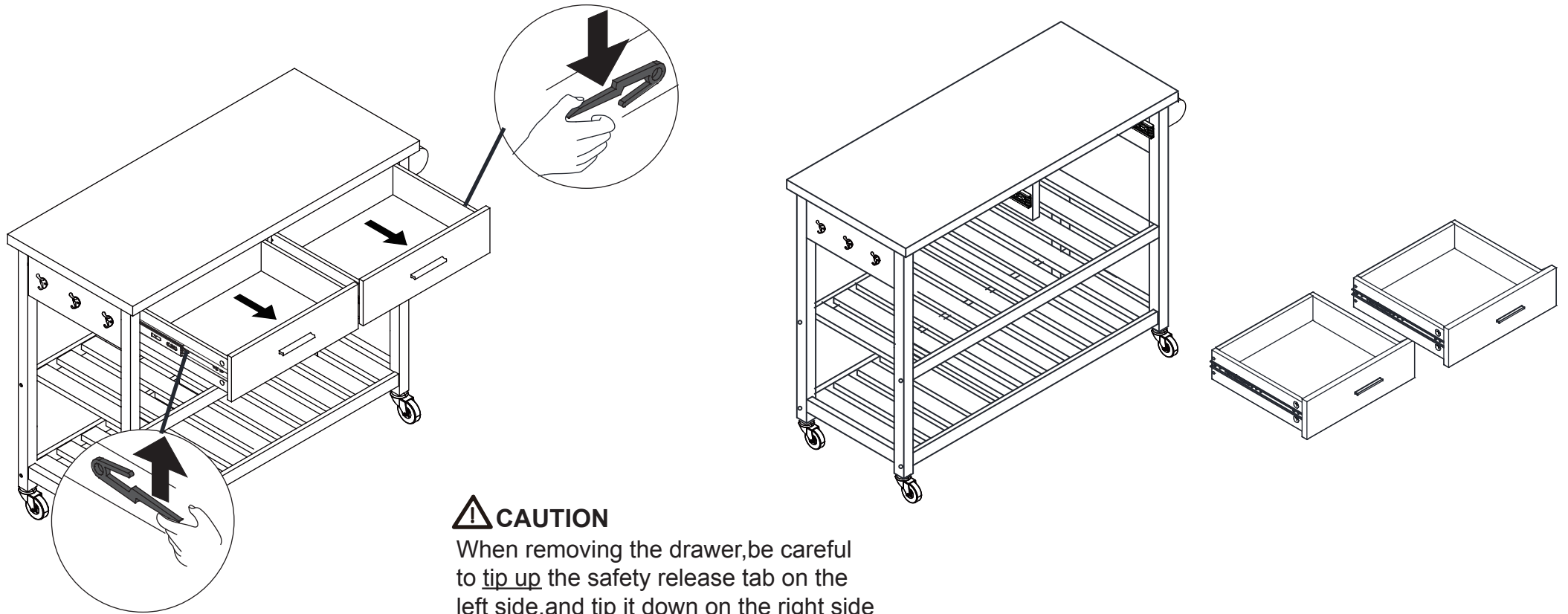
HW7 x8	
HW14 x2	
HW15 x4	

PREPARATION

Before beginning assembly of product, make sure all parts are present. Compare parts with package contents list. If any part is missing or damaged, do not attempt to assemble the product.

EstimatedAssemblyTime: 15 minutes.

NOTE:



⚠ CAUTION

When removing the drawer, be careful to tip up the safety release tab on the left side, and tip it down on the right side to remove the drawer from the body as shown.