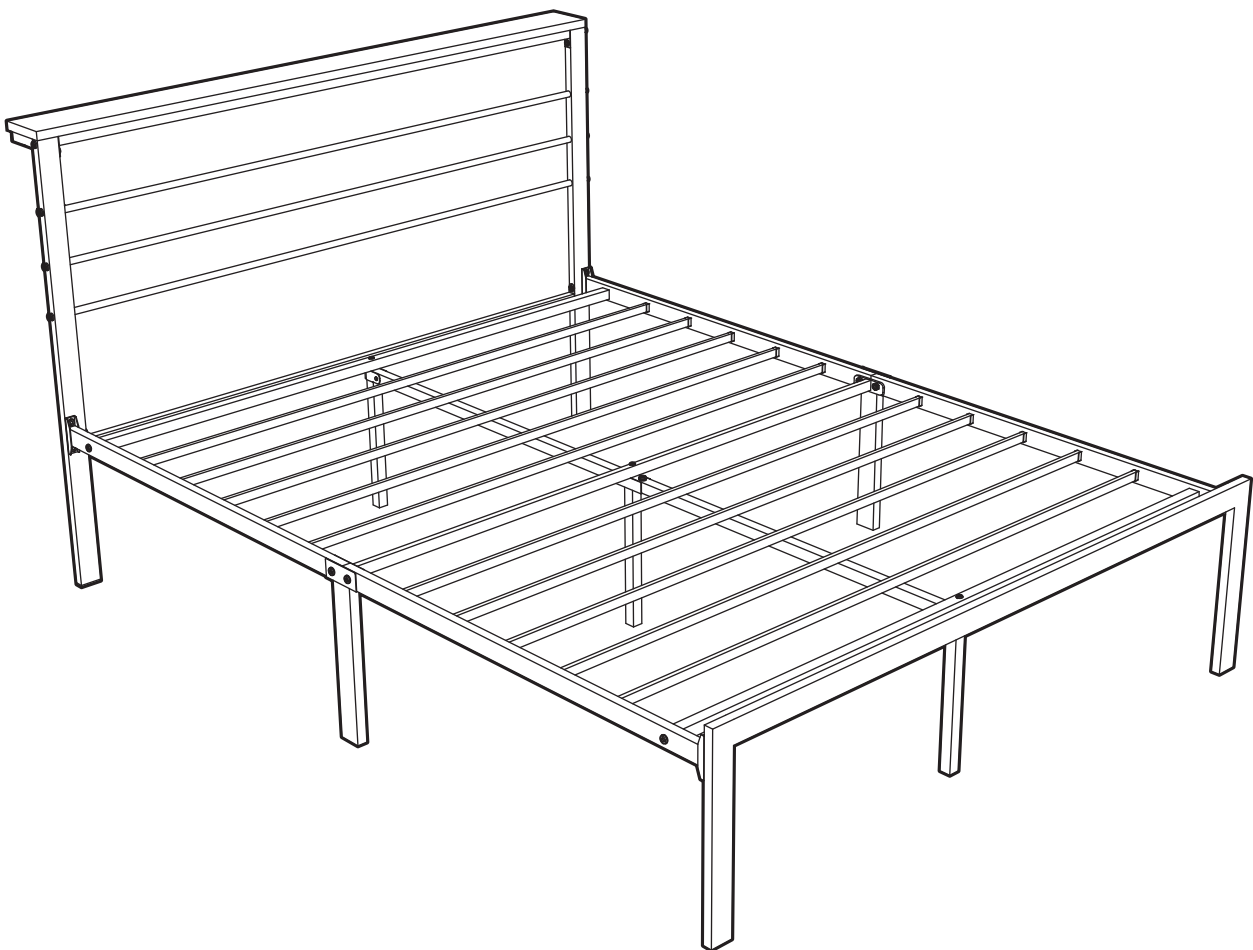


METAL BED

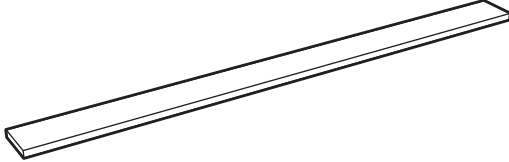
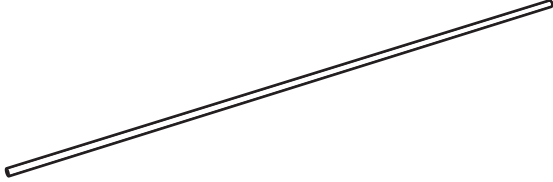
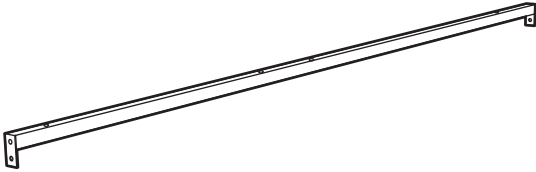
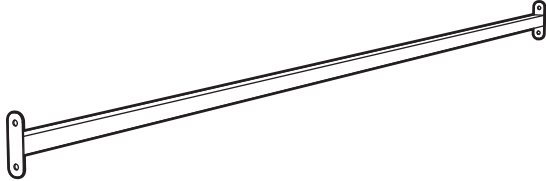
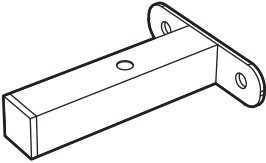
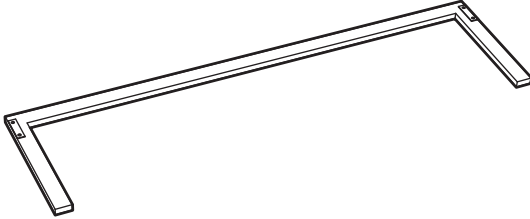
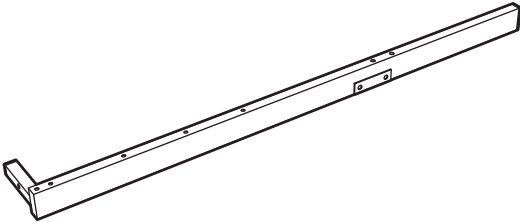
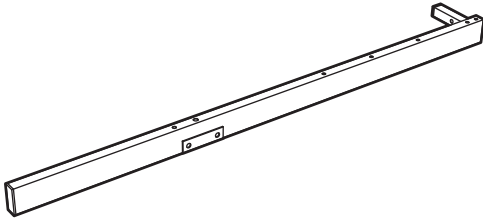
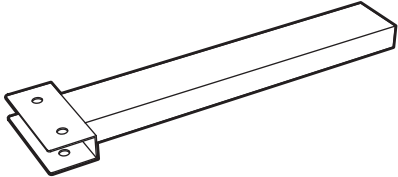
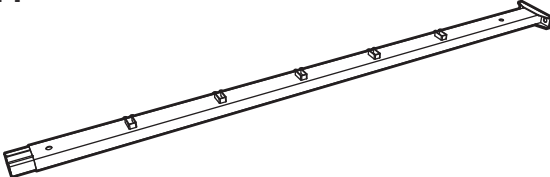
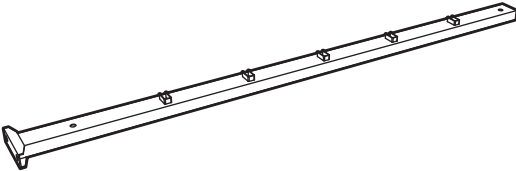
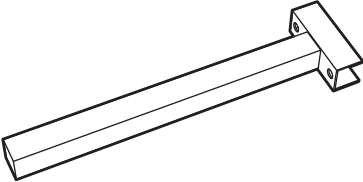
ORIGINAL INSTRUCTION MANUAL

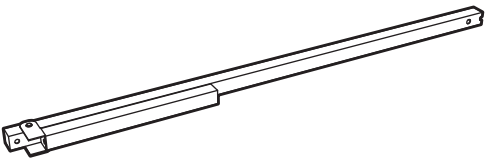
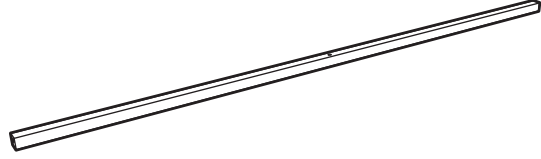
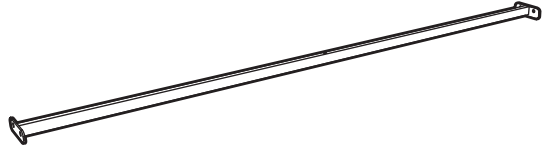

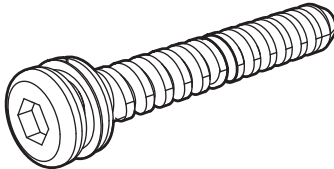
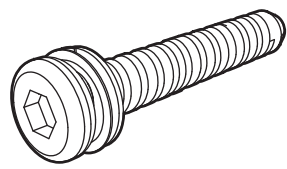
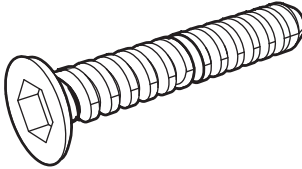
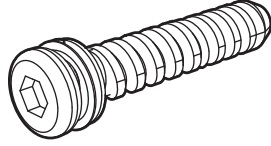
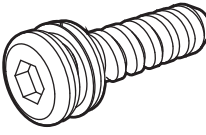
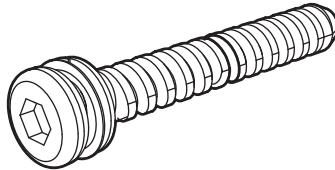
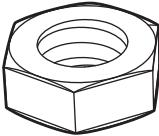
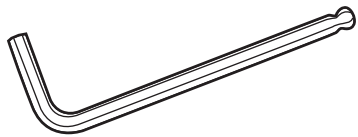
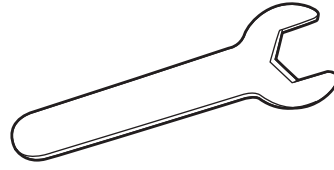


DEAR CUSTOMER,

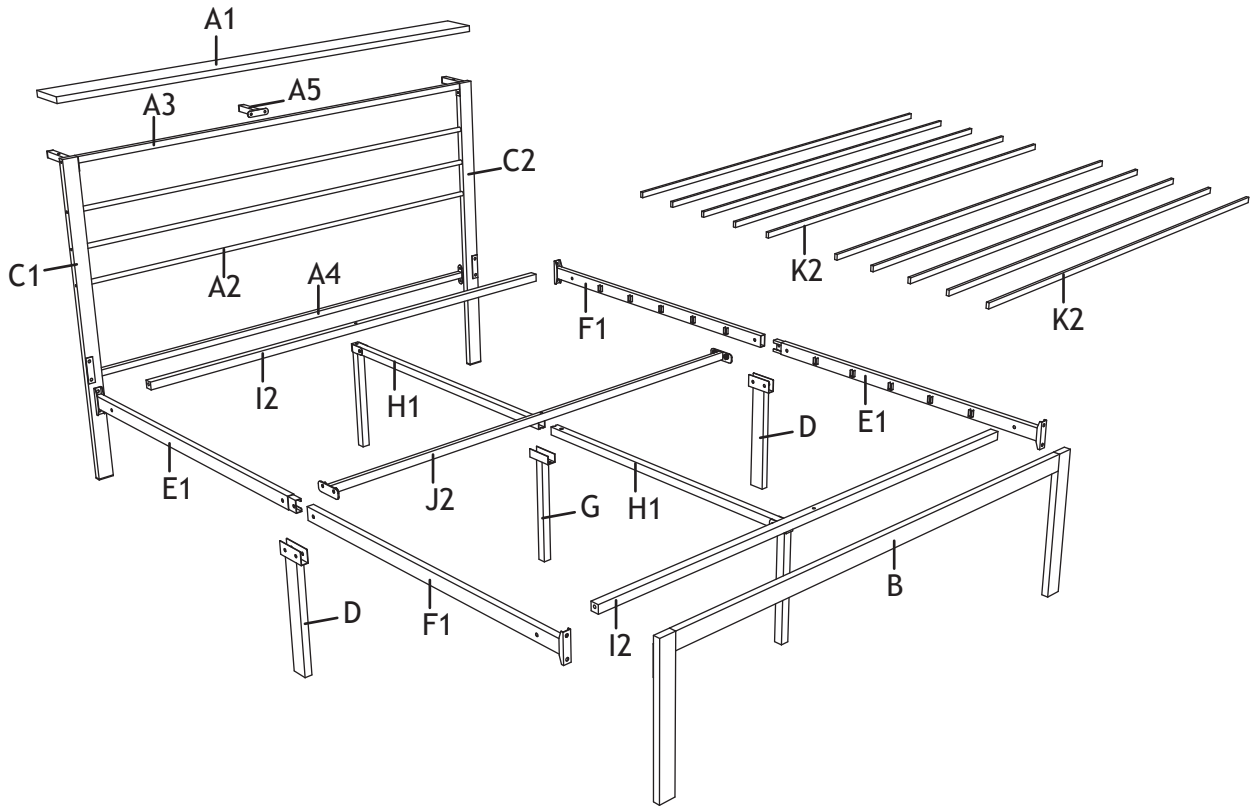
Thank you for choosing our product. Please read this manual carefully before assembling or using the product, to avoid damage caused by improper use. If the product is passed on to third parties, this manual has to be passed on along with the product. If you have any questions, please don't hesitate to contact us.

PARTS LIST

A1  1×	A2  3×
A3  1×	A4  1×
A5  1×	B  1×
C1  1×	C2  1×
D  2×	E1  2×
F1  2×	G  1×

<p>H1 2×</p> 	<p>I2 2×</p> 	
<p>J2 1×</p> 	<p>K2 10×</p> 	
<p>L1 2×</p>  <p>M8×60</p>	<p>L2 10×</p>  <p>M8×40</p>	
<p>L3 1×</p>  <p>M6×55</p>	<p>L4 7×</p>  <p>M6×30</p>	
<p>L5 16×</p>  <p>M8×15</p>	<p>L6 8×</p>  <p>M6×60</p>	
<p>L7 4×</p>  <p>M8</p>	<p>L8 1×</p> 	<p>L9 1×</p> 

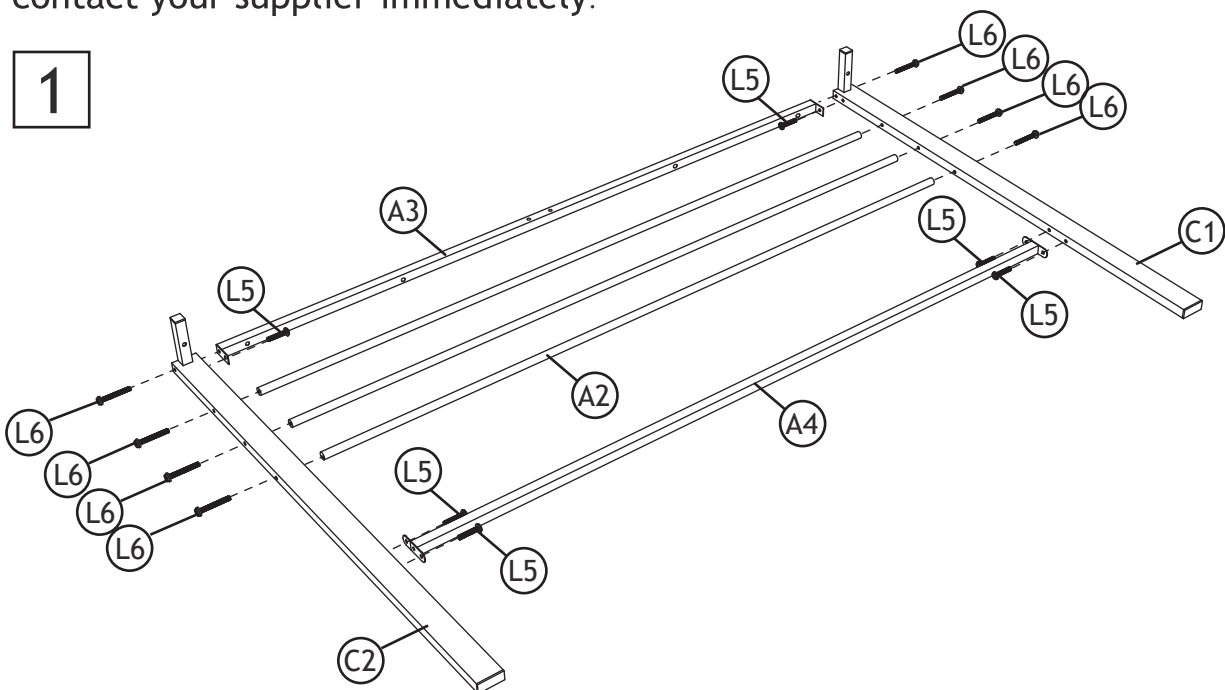
EXPLOSION VIEW



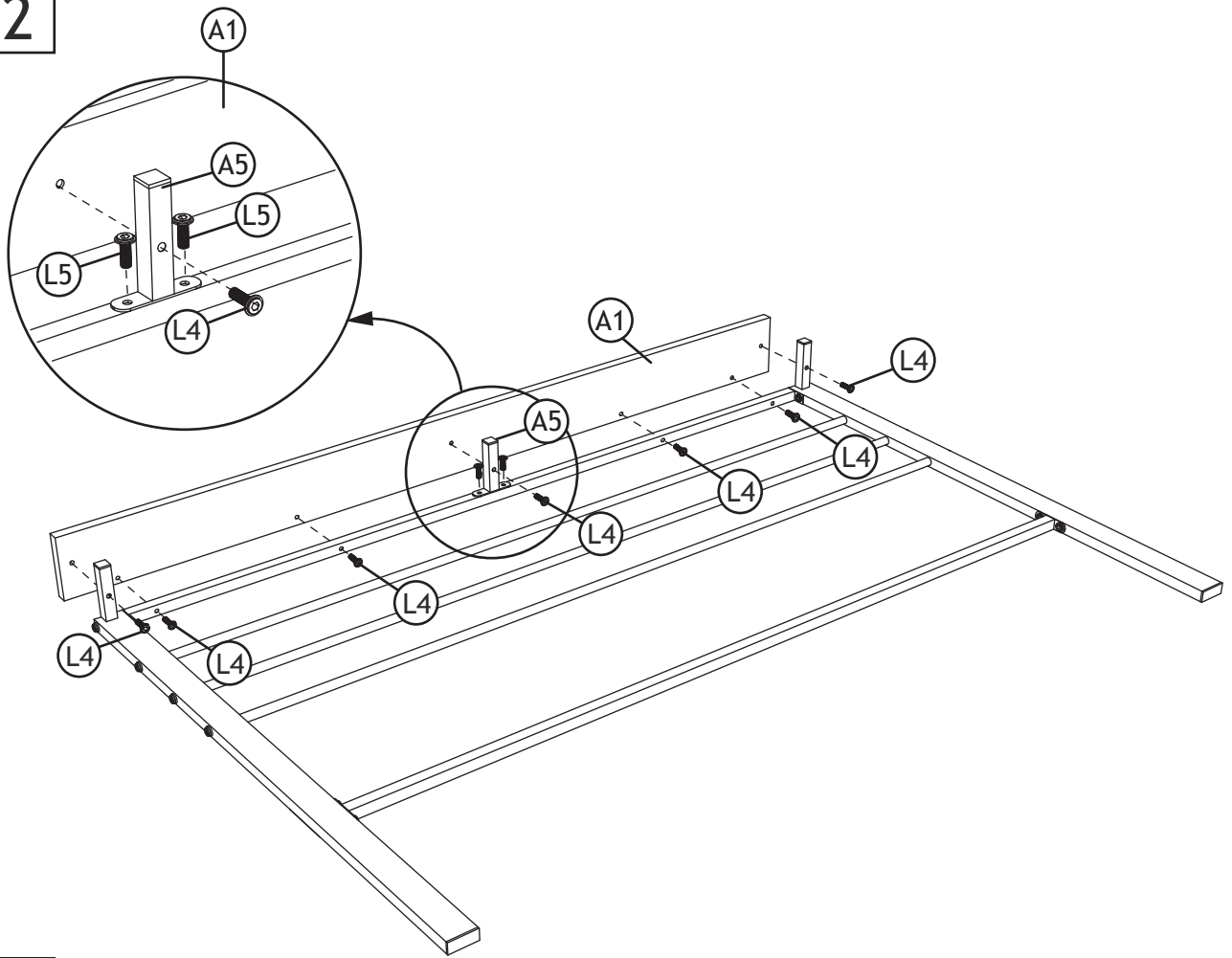
ASSEMBLY

Before your installation, please make sure that you have all the parts listed on the manual. If you find something missing, please stop assembling and contact your supplier immediately.

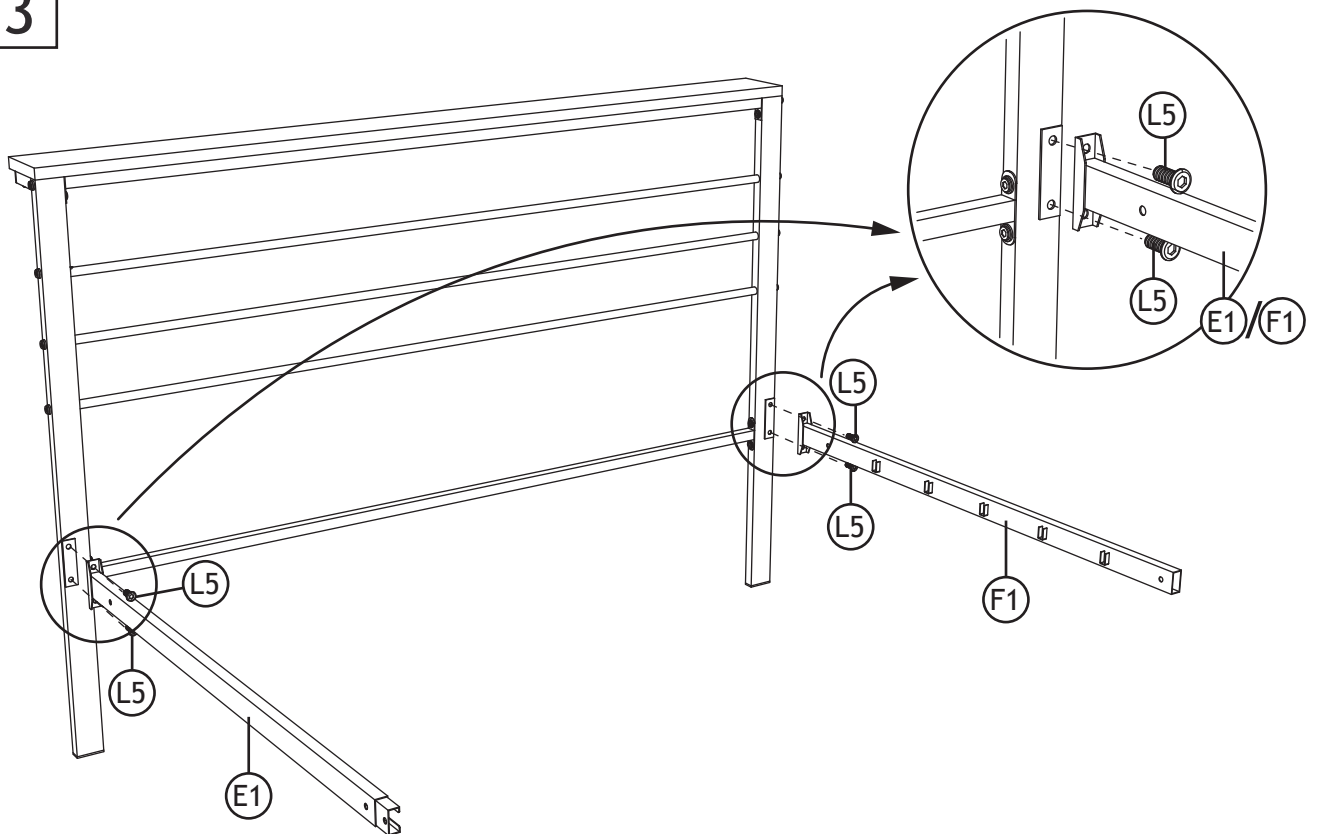
1



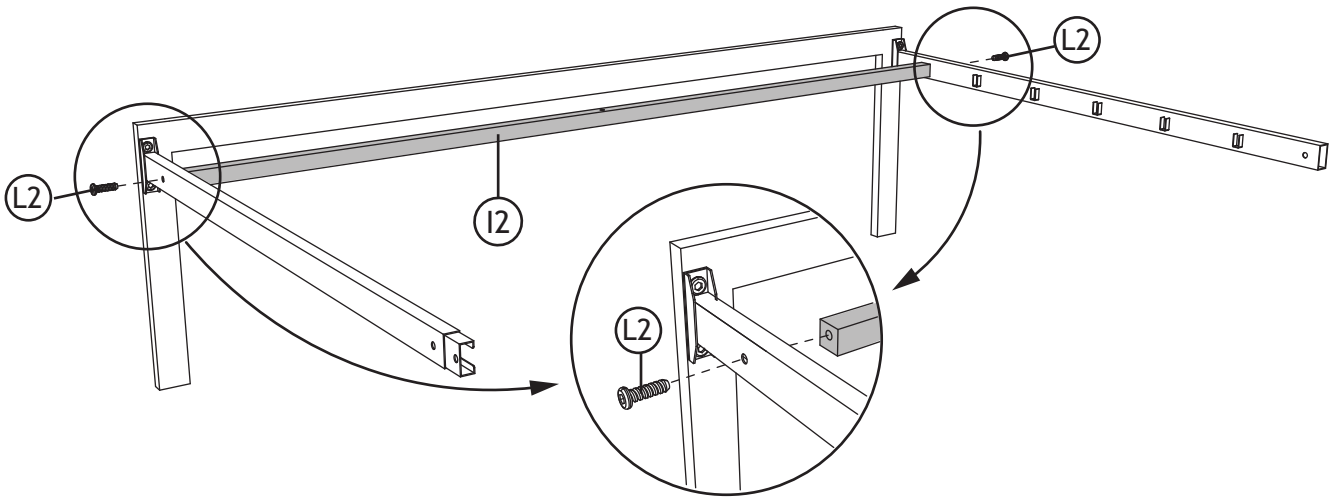
2



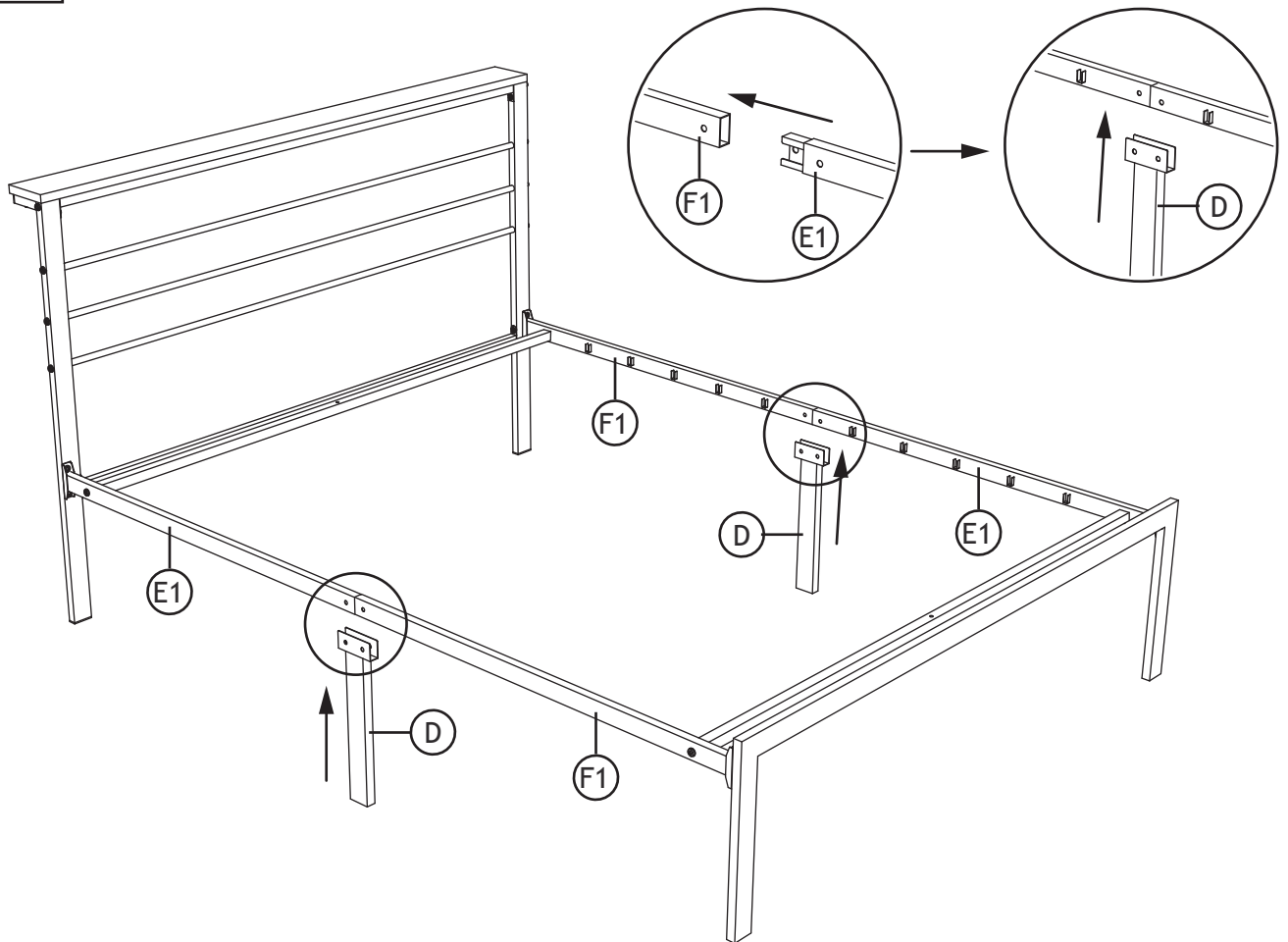
3



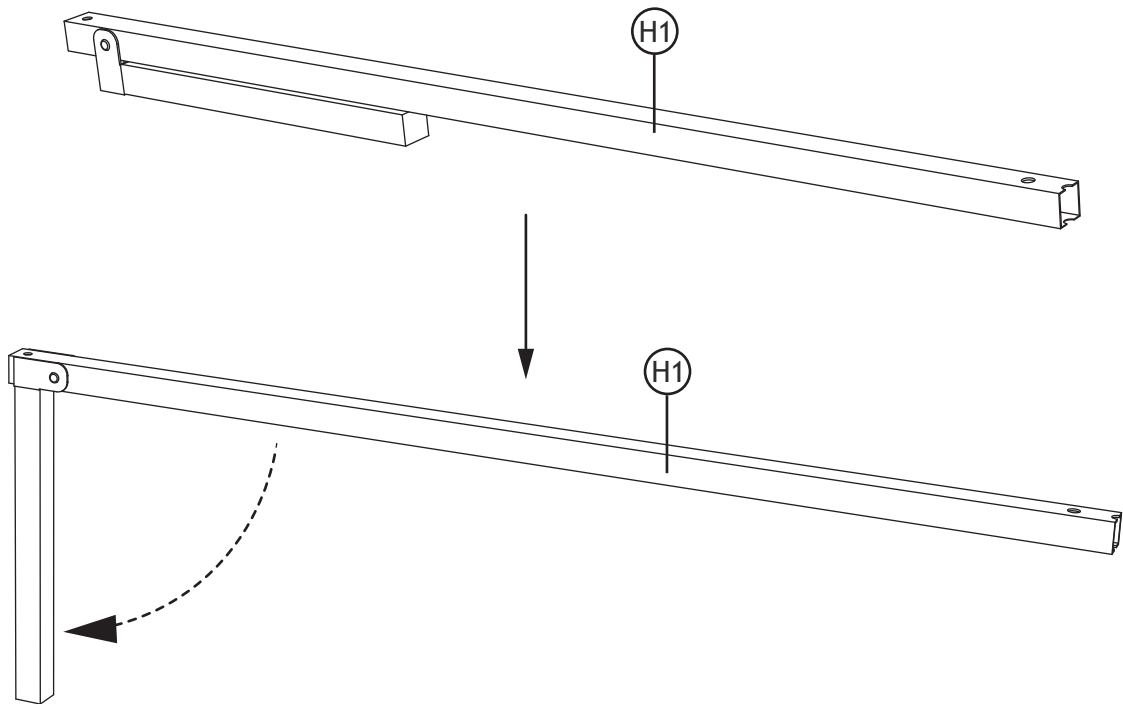
6



7

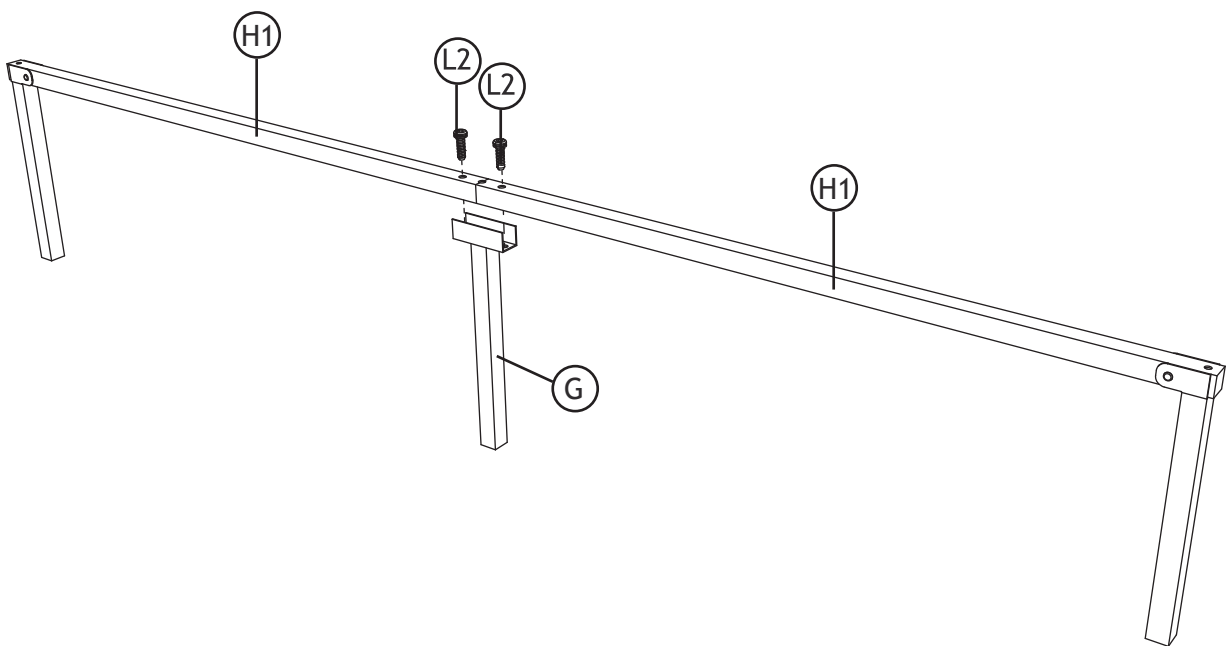


8

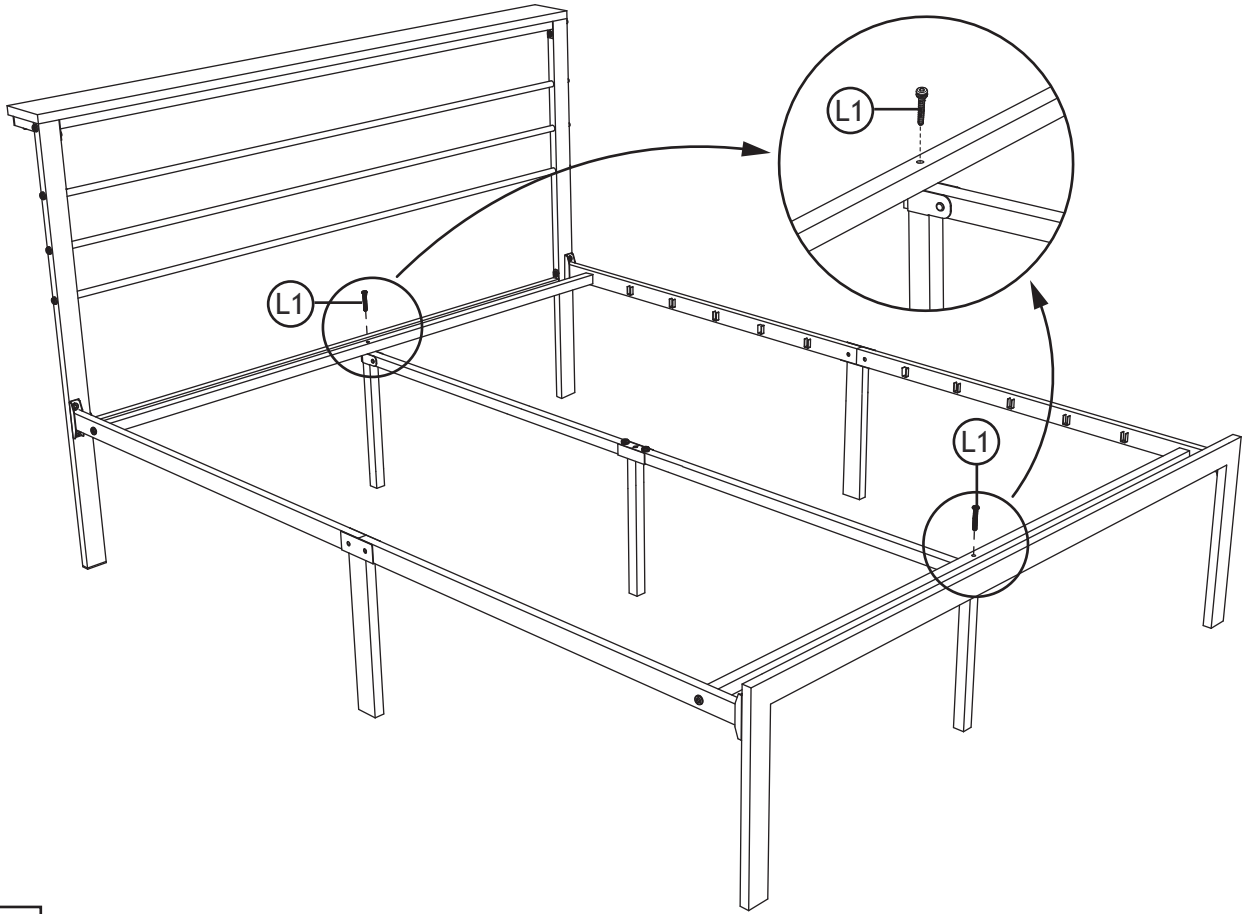


Expand Part(H1) as shown above.

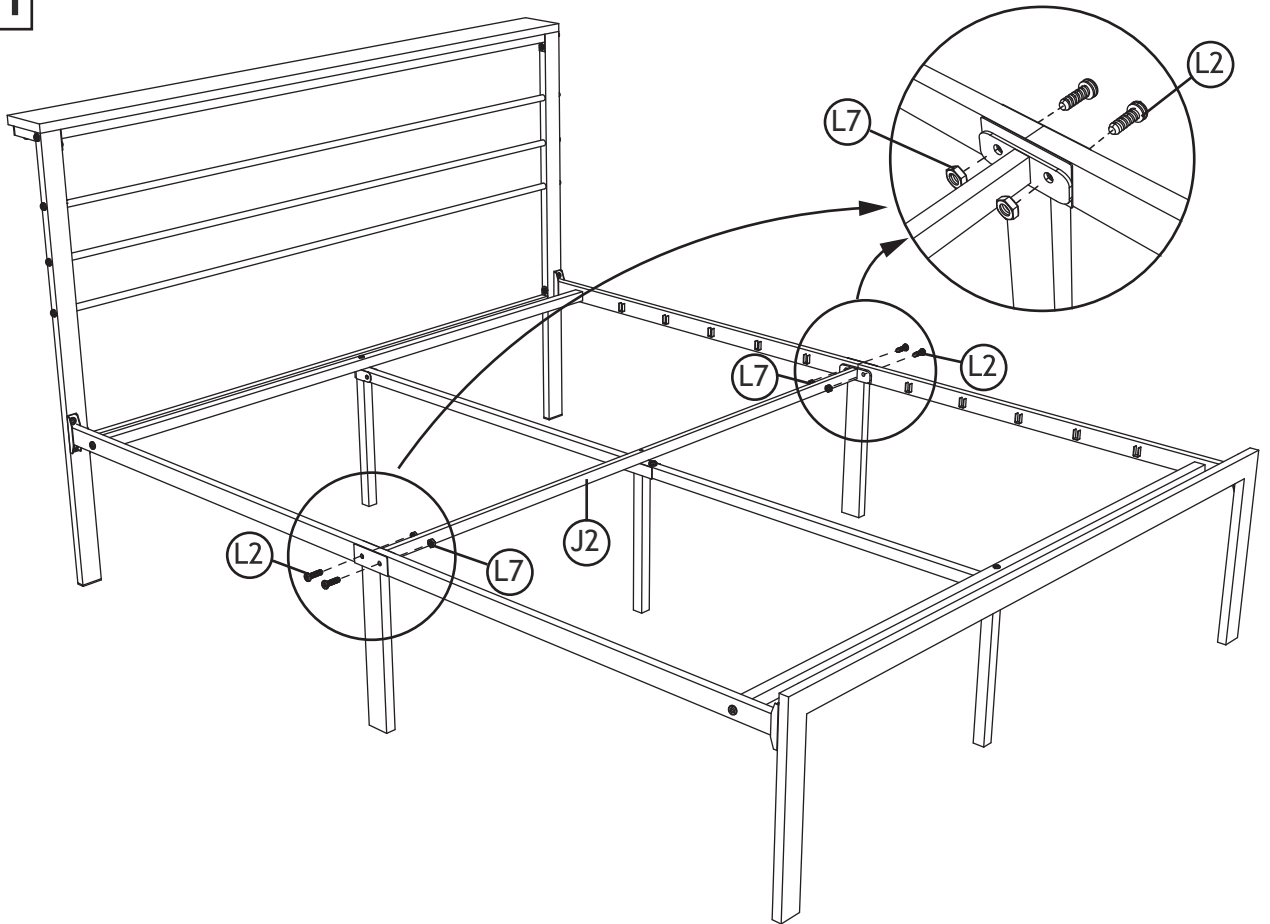
9



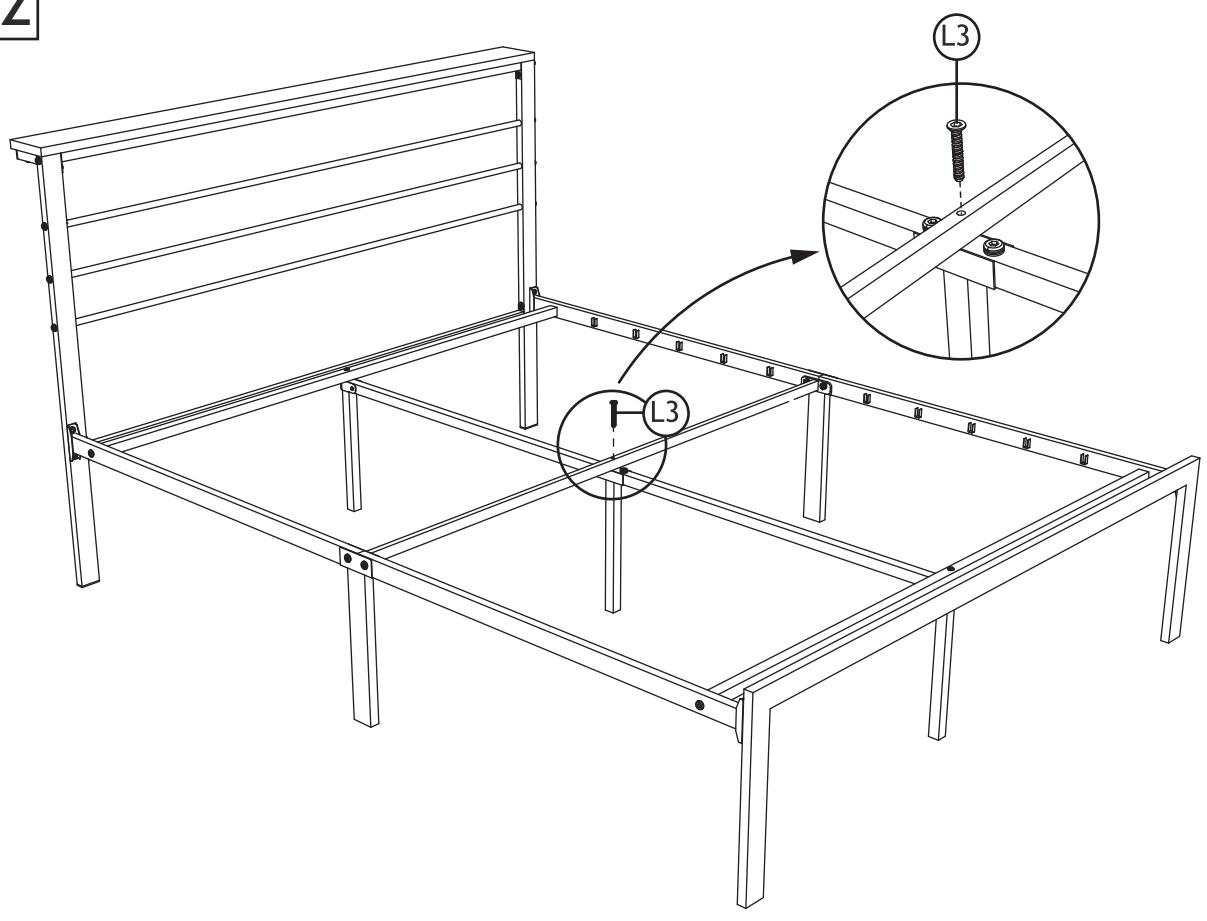
10



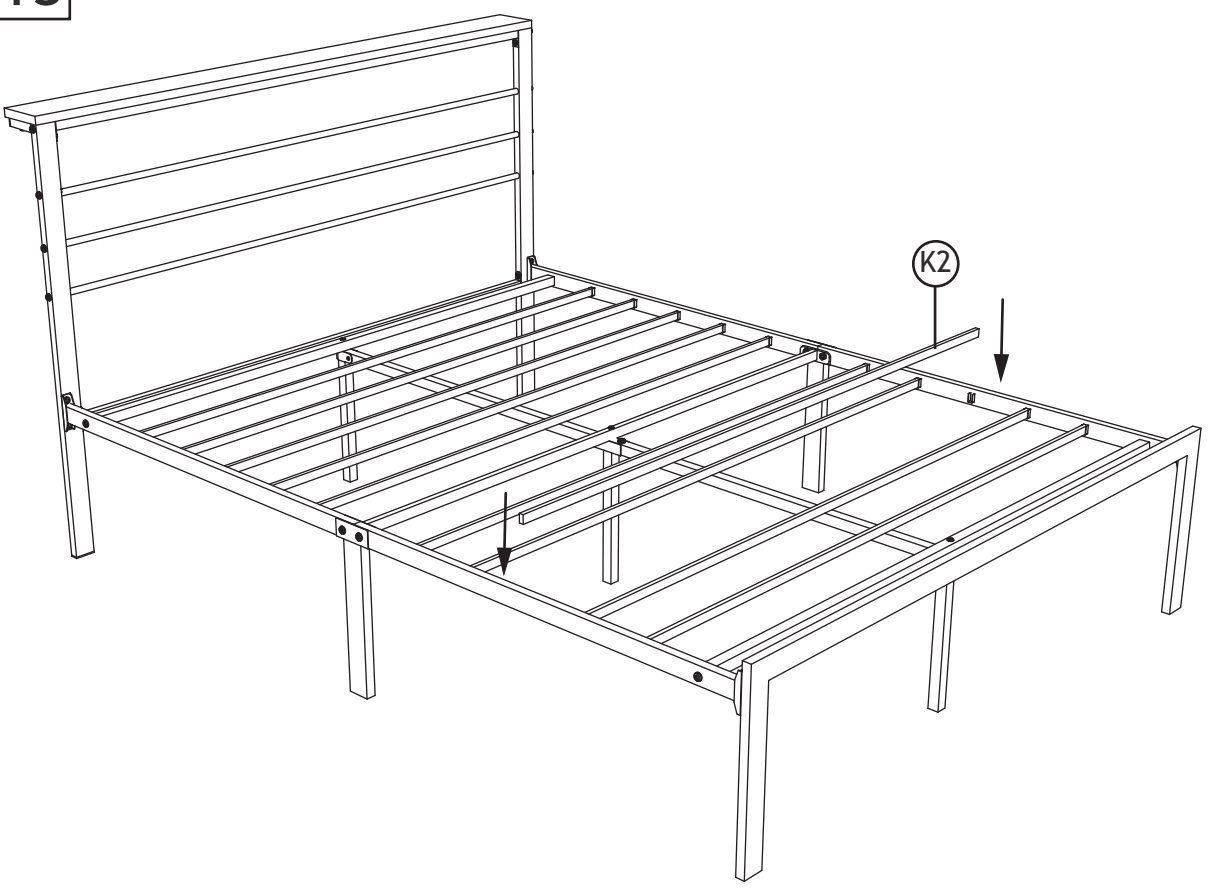
11



12



13



Made in China