

UPHOLSTERED BED

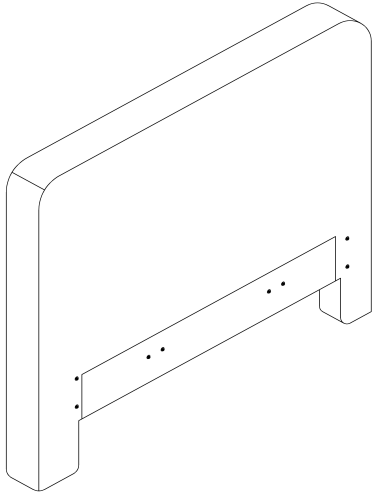
C. KING/KING

ASSEMBLY INSTRUCTIONS





BOX#1

A. HEADBOARD PANEL

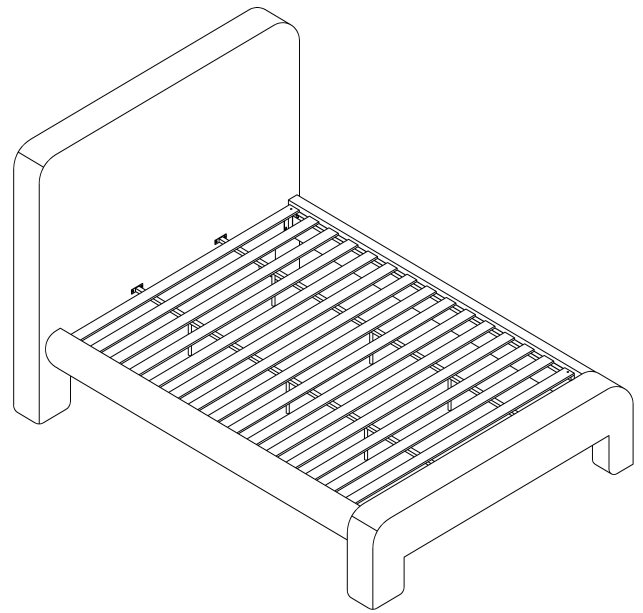
1 PC



HARDWARE KIT PACKED IN BOX#2

1	ALLEN BOLT (6x40mm)		6 PCS
2	PHILLIPS SCREW (7x35mm)		4 PCS
3	FLAT WASHER (6mm)		6 PCS
4	ALLEN KEY (5mm)		1 PC

FULLY ASSEMBLED



BOX#2

B. LEFT SIDE RAIL

1 PC

C. RIGHT SIDE RAIL

1 PC

D. FOOTBOARD

1 PC

E. SUPPORT LEG

6 PCS

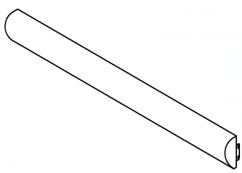
F. CENTER SLAT SUPPORT

2 PCS

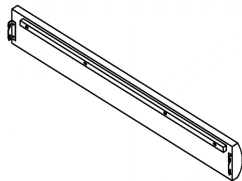
G. SLAT ROLL

1 SET

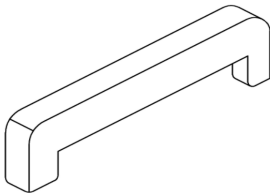
B



C



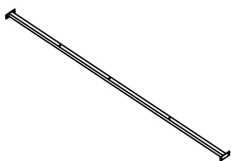
D



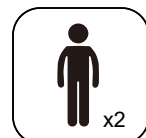
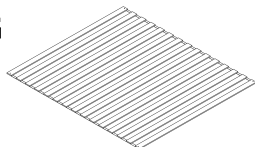
E



F



G

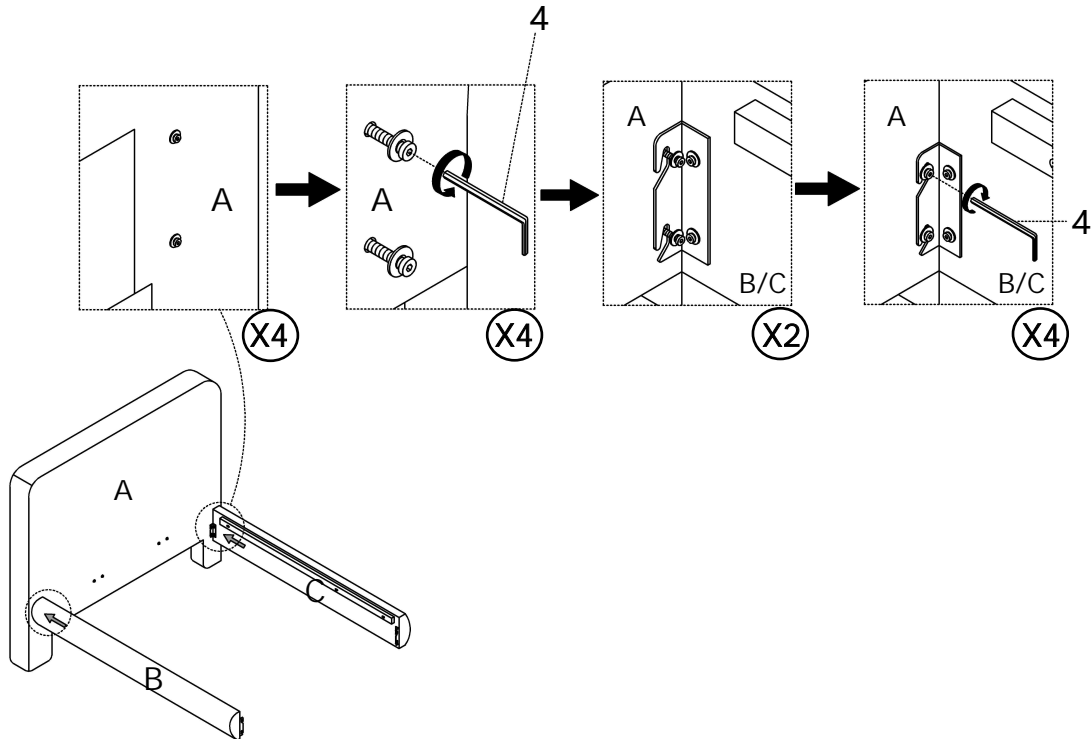


UPHOLSTERED BED

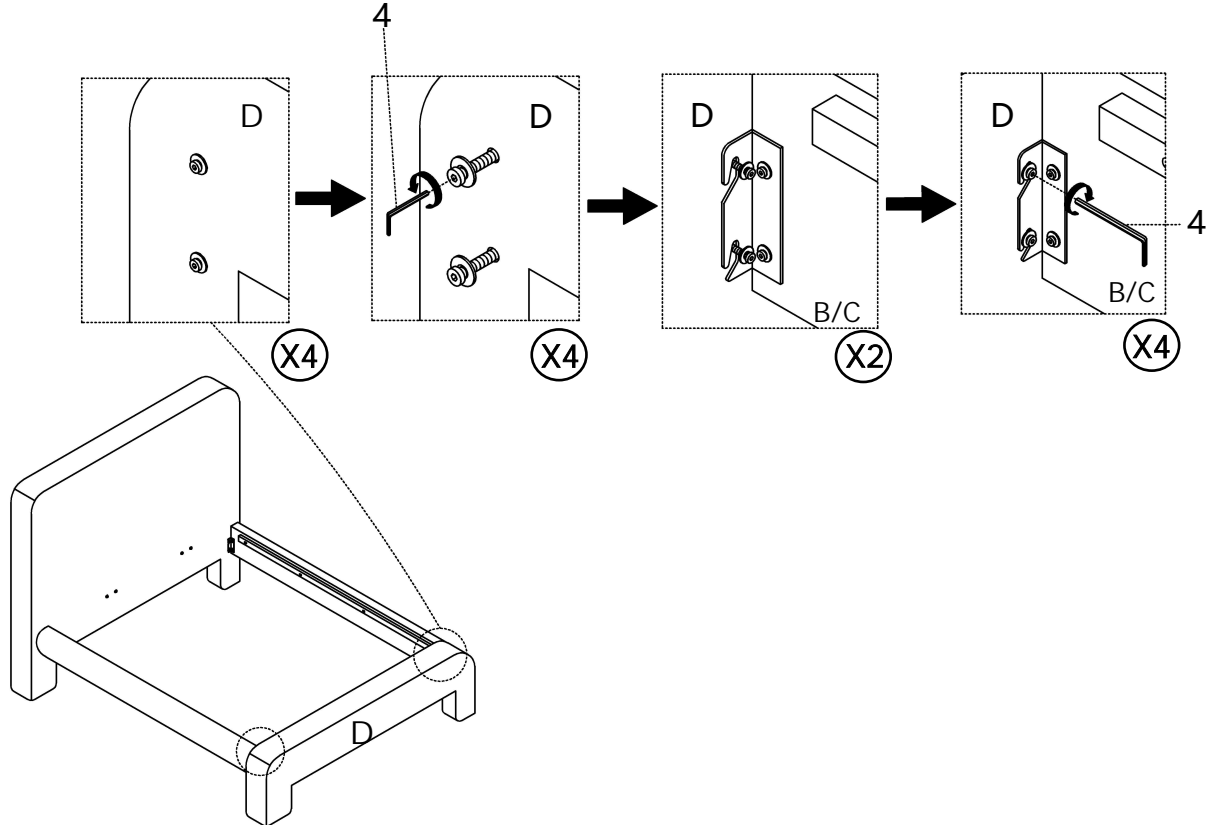
C. KING/KING

ASSEMBLY INSTRUCTIONS

STEP 1



STEP 2

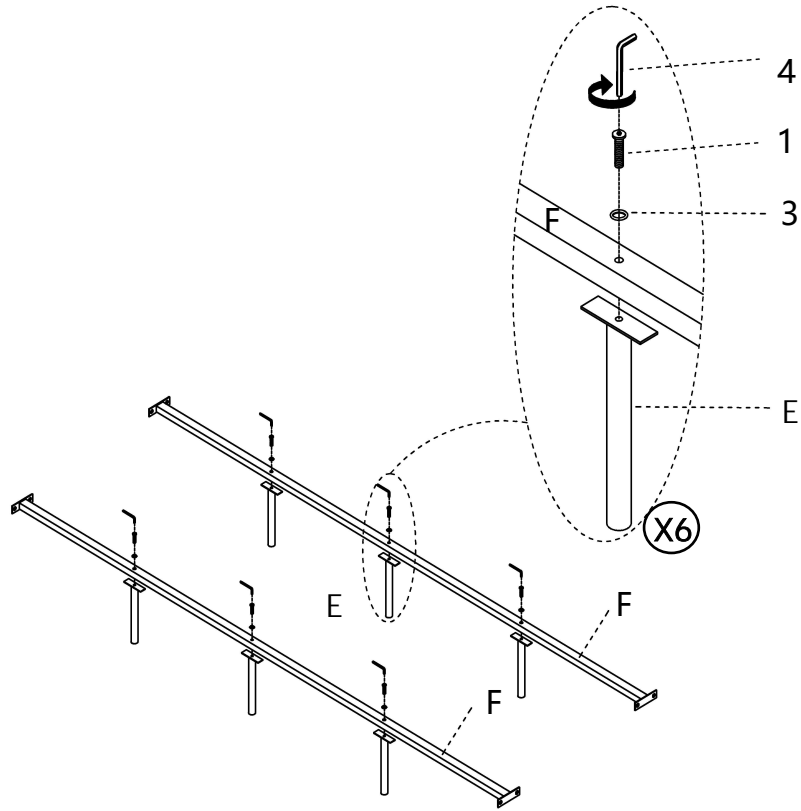


STOP

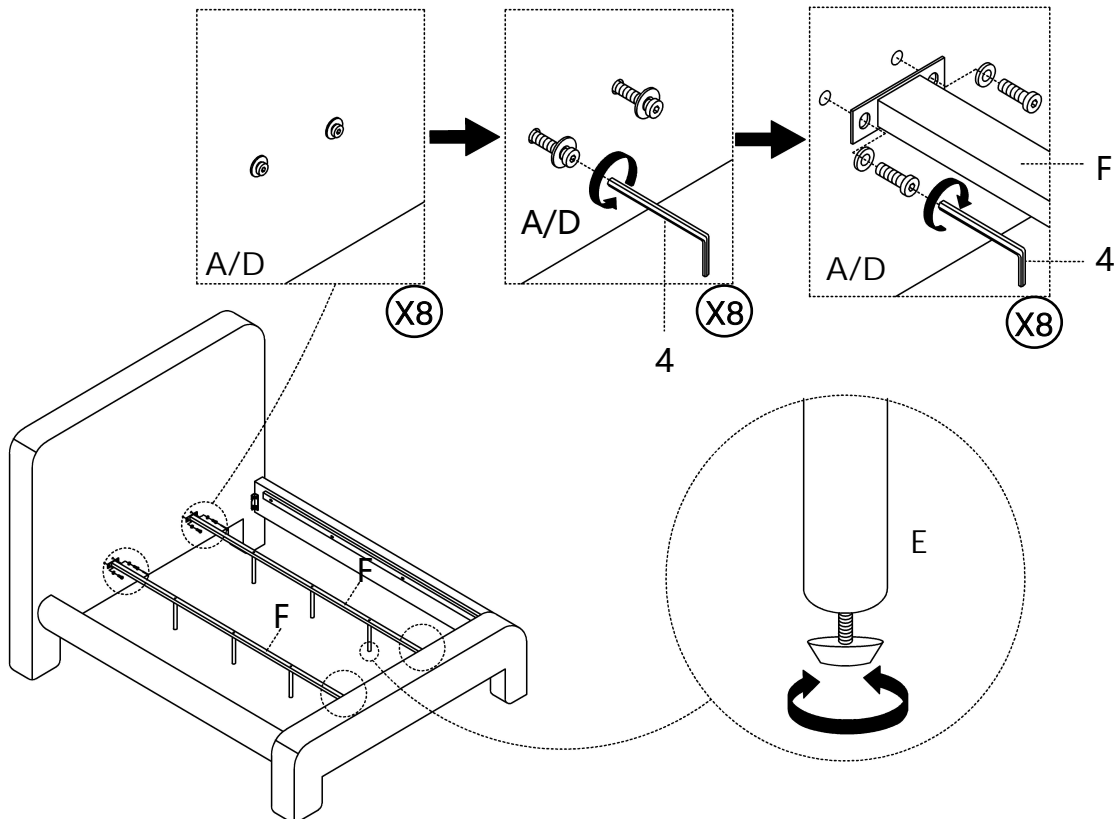
IF USING BED WITH AN ADJUSTABLE MATTRESS BASE, SKIP STEPS 3, 4, & 5 AND REFERENCE APPENDIX A: ADJUSTABLE MATTRESS BASE ASSEMBLY SUPPLEMENT. IF USING BED FRAME WITH STANDARD BOX SPRING OR FOUNDATION, CONTINUE TO STEP 3.

UPHOLSTERED BED C. KING/KING ASSEMBLY INSTRUCTIONS

STEP 3

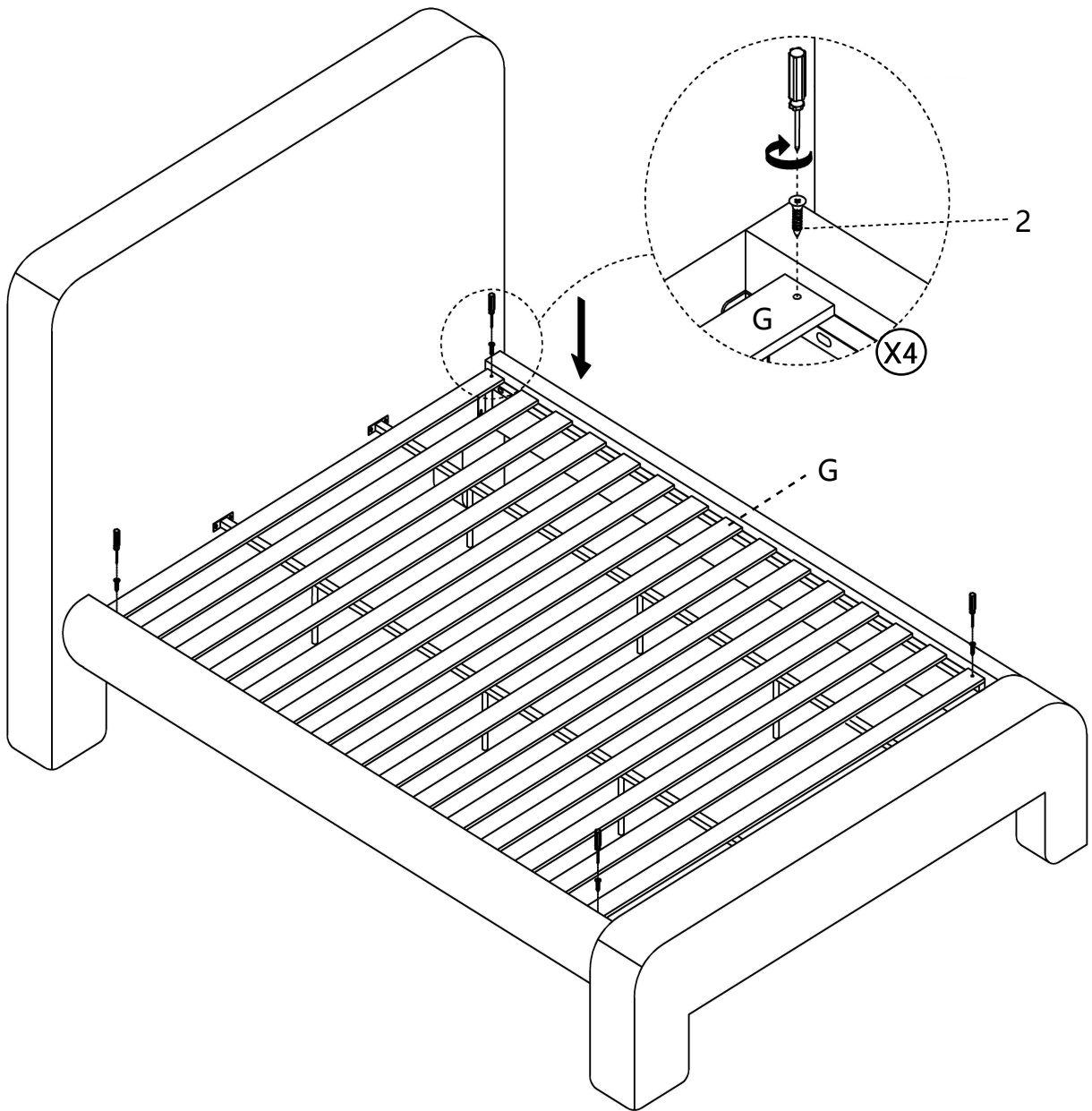


STEP 4

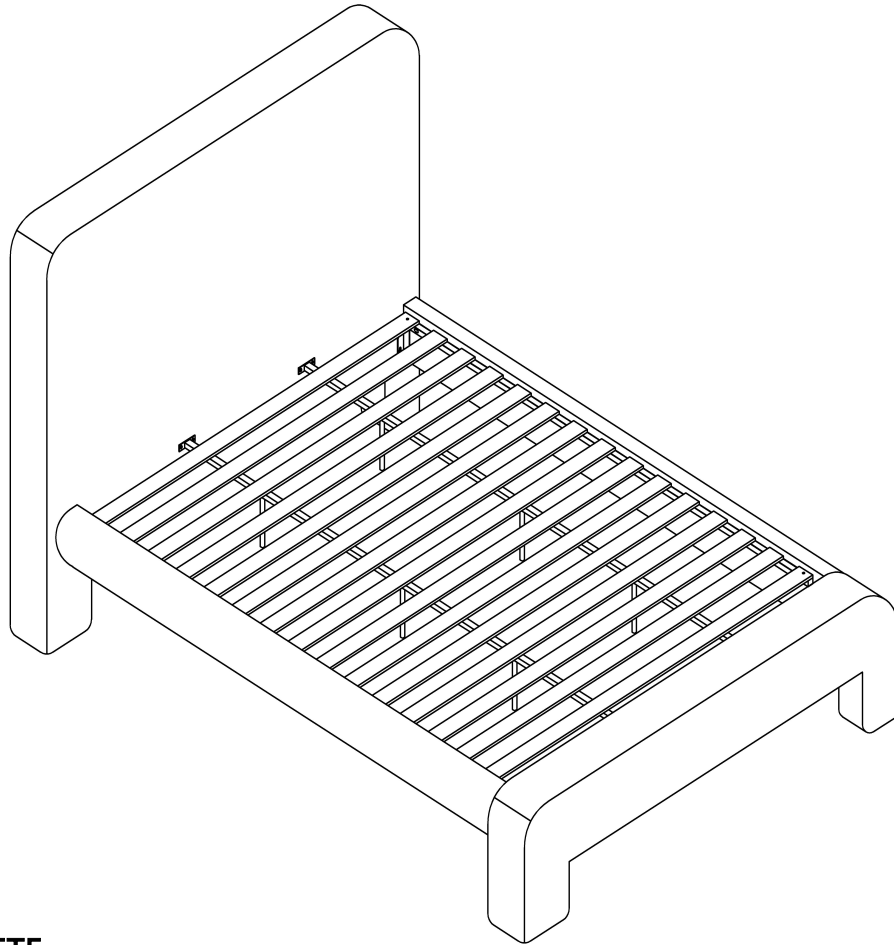


UPHOLSTERED BED C. KING/KING ASSEMBLY INSTRUCTIONS

STEP 5



UPHOLSTERED BED C. KING/KING ASSEMBLY INSTRUCTIONS



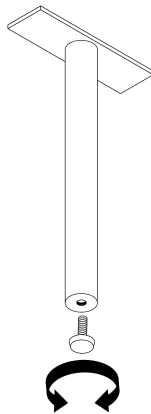
ASSEMBLY COMPLETE.

INSTRUCTIONS FOR ADJUSTING LEVELERS:

POSITION THE BED IN YOUR ROOM.
LOCATE LEVELERS UNDER EACH
SUPPORT LEG (E).

TURN COUNTER-CLOCKWISE TO
EXTEND, CLOCKWISE TO RETRACT.

ADJUST LEVELERS UNTIL EACH LEG
SUPPORT IS APPLYING EQUAL UPWARD
PRESSURE ON THE CENTER SLAT.



MAINTENANCE INSTRUCTIONS:

- PERIODICALLY CHECK ALL FITTINGS AND TIGHTEN IF NECESSARY, AS THEY CAN LOOSEN OVER TIME.
- ALWAYS REMOVE BOX SPRING AND MATTRESS BEFORE MOVING THE BED.
- LIFT THE BED WHEN MOVING IT. DRAGGING THE BED CAN DAMAGE THE CENTER SUPPORT.
- READJUST LEVELERS AFTER MOVING THE BED.

UPHOLSTERED BED C. KING/KING ASSEMBLY INSTRUCTIONS

AN ADJUSTABLE MATTRESS BASE IS A FREESTANDING MATTRESS SUPPORT THAT SITS WITHIN THE PERIMETER OF THE BED FRAME.

IF USING THIS BED FRAME WITH A STANDARD BOX SPRING OR FOUNDATION THESE INSTRUCTIONS DO NOT APPLY.

PRE-ASSEMBLED SIDE RAIL CLEATS OBSTRUCT ADJUSTABLE BASE INSTALLATION AND OPERATION. FOLLOW THESE INSTRUCTIONS TO REMOVE THEM.

THE FOLLOWING PARTS ARE NOT REQUIRED FOR ADJUSTABLE MATTRESS BASE INSTALLATION:

E. SUPPORT LEG	6 PCS
F. CENTER SLAT SUPPORT	2 PCS
G. SLAT ROLL	1 SET

STEP 1 :

USE ALLEN KEY (4) TO UNSCREW ALLEN BOLTS AND REMOVE PRE-ASSEMBLED SIDE RAIL CLEATS.

