

# Bookcase

---

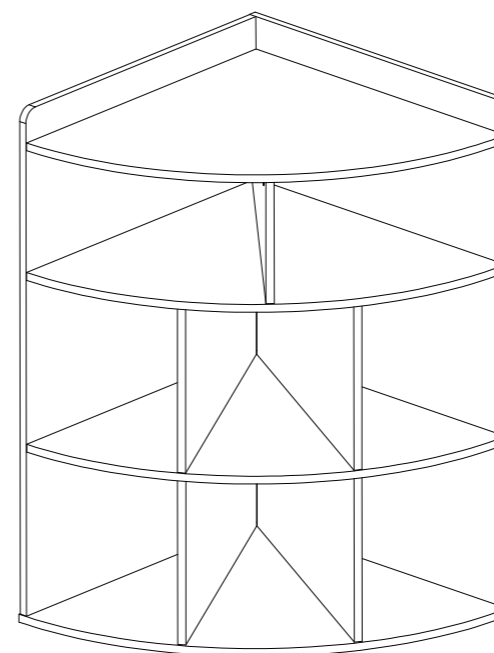
Dimension: 50\*50\*79.2cm

## Tips!

Check all the components & screws before assembly. Do not install in case part is miss-ing, contact us to get.

## Return Policy

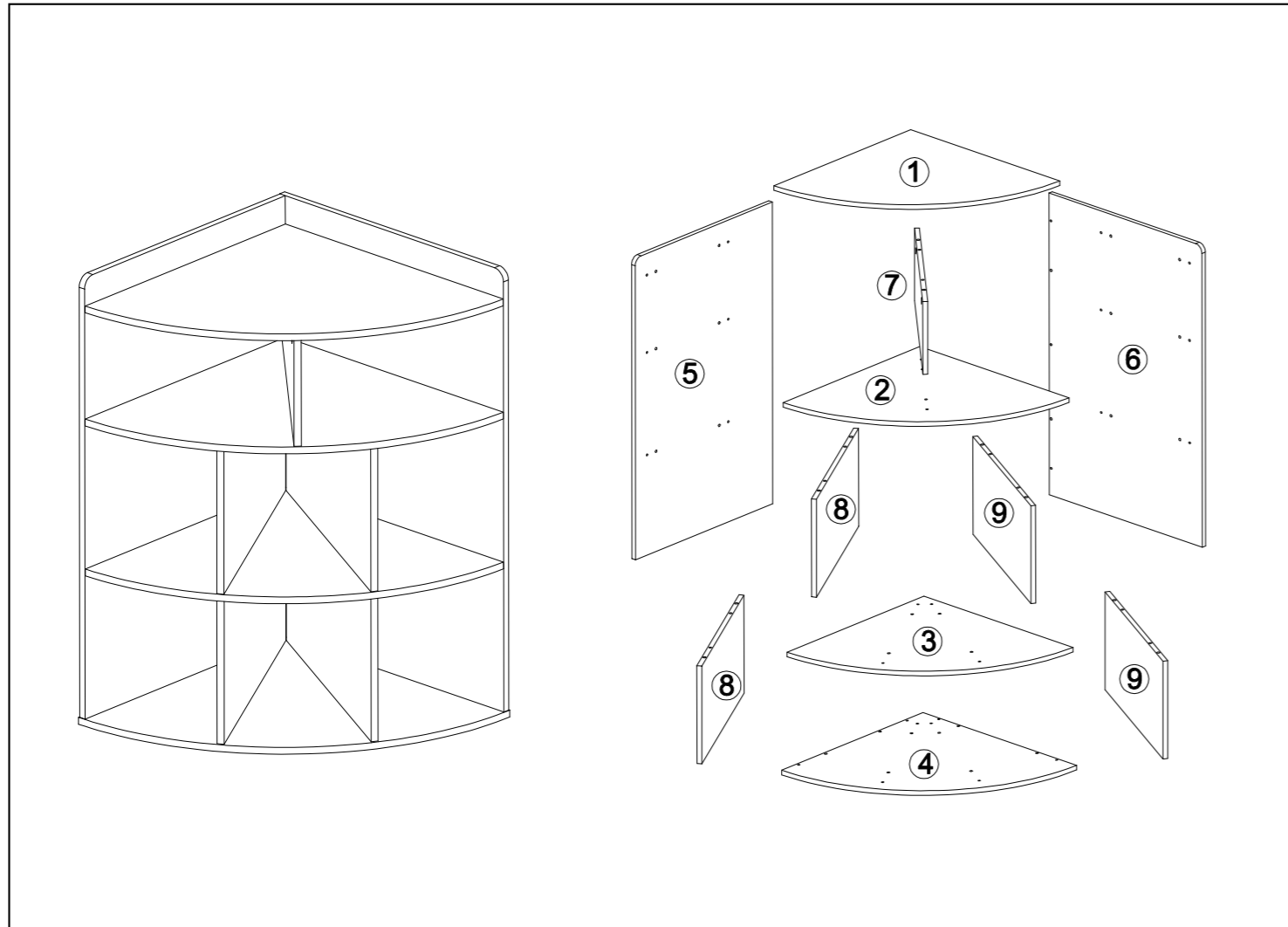
We believe you will absolutely love your new item. But if for some reason you want to return, please contact us directly before you decide to return your product. Our customer service organization can answer most concerns and assist you with any questions you may have about your new item, The item must be returned within 30 days of delivery for a full refund. The item must be returned in good condition, in original box, with all original proof of purchase, parts and accessories.



---

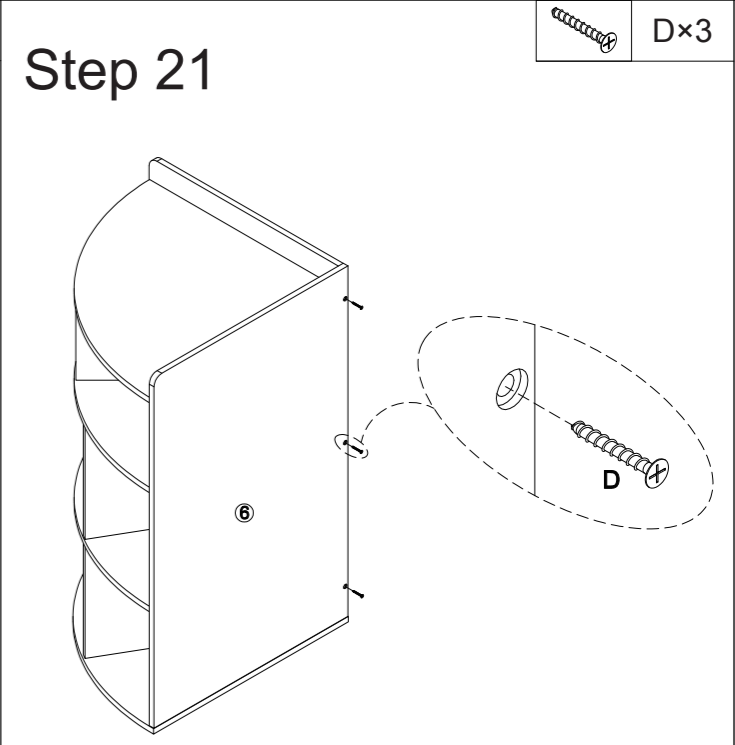
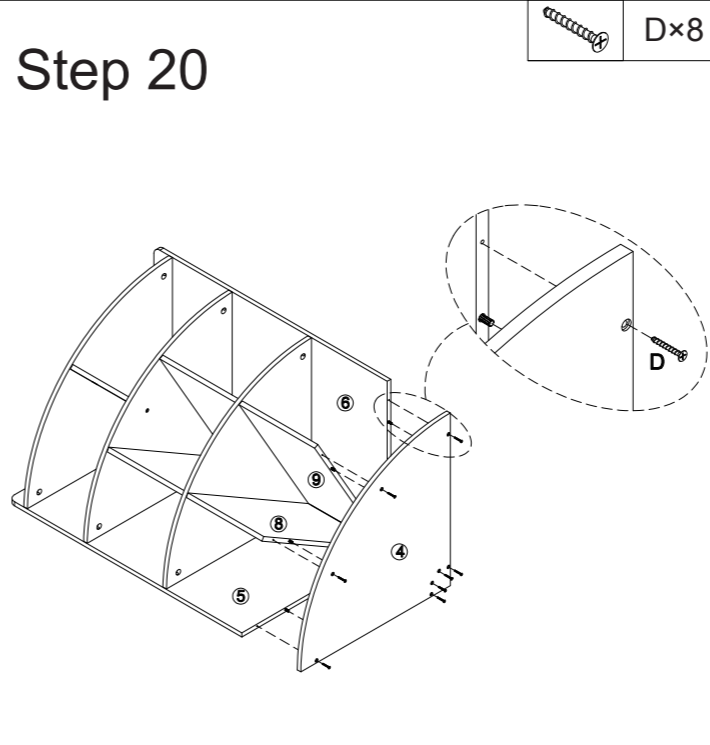
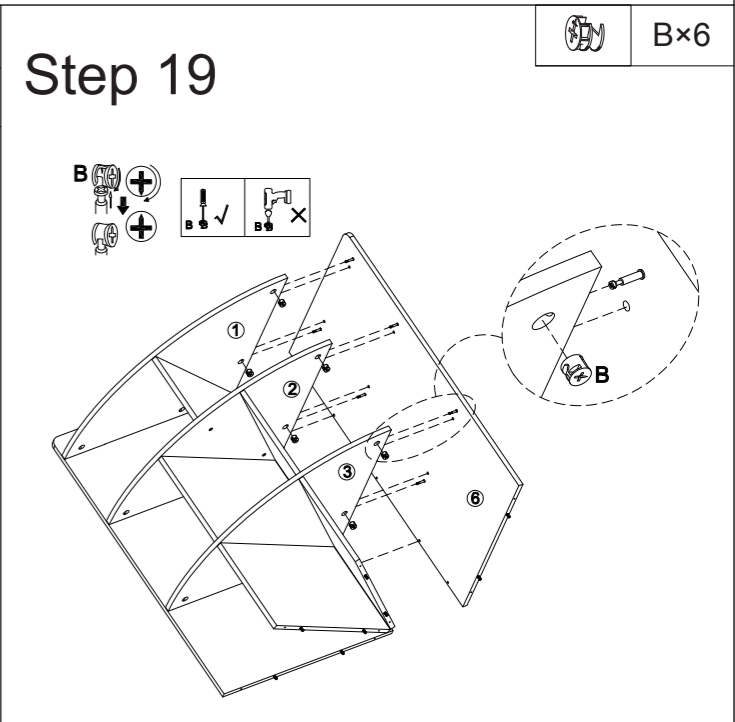
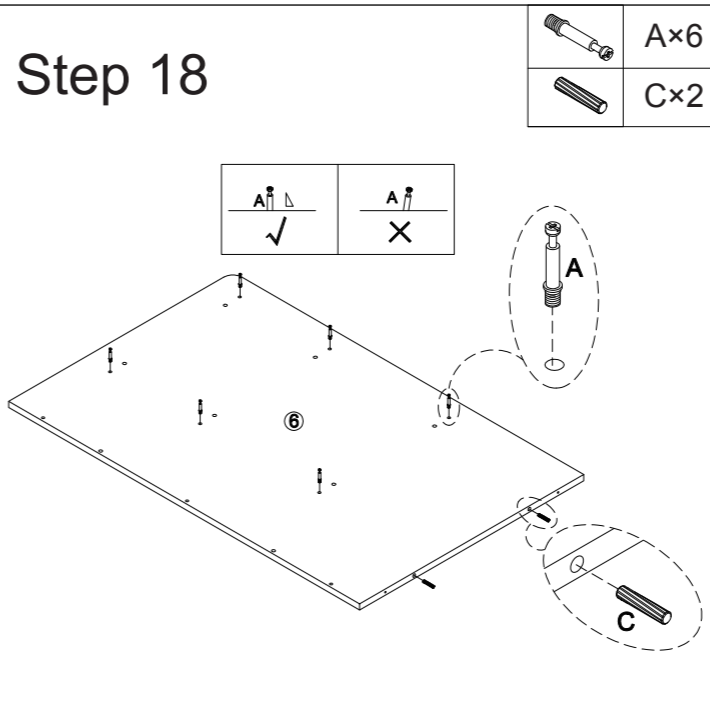
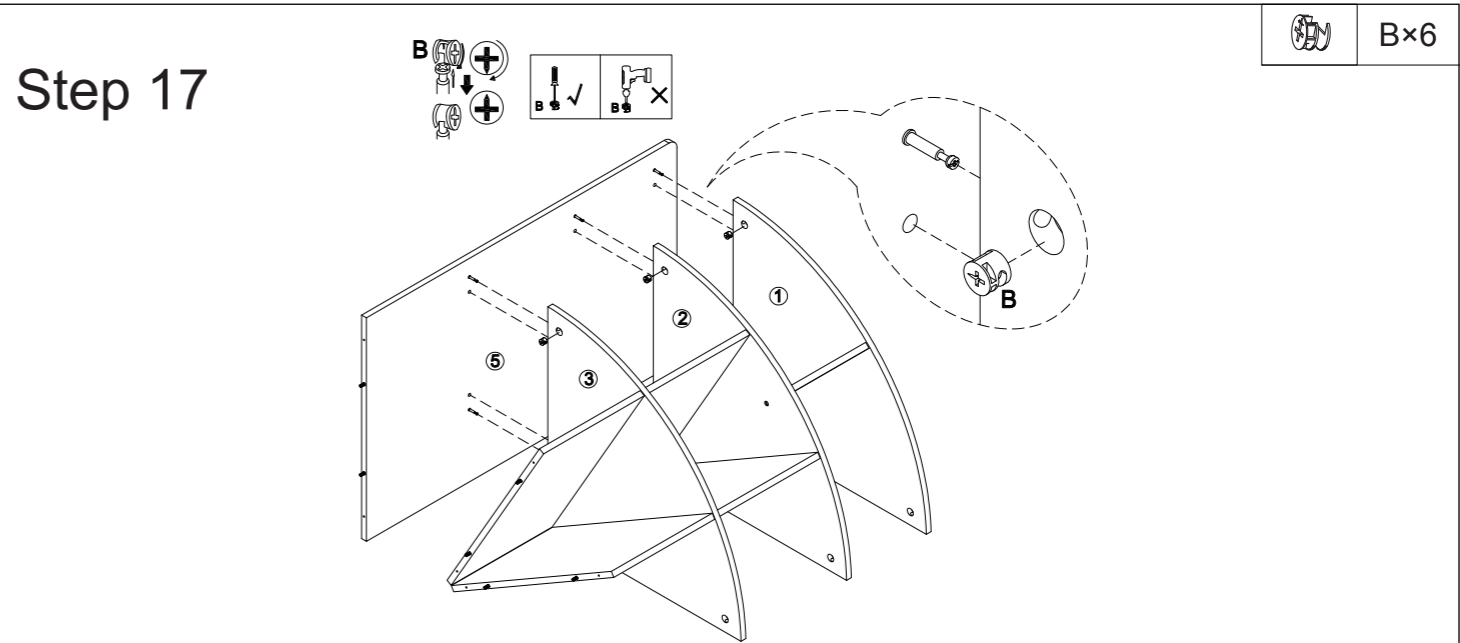
Item Description: Bookcase

Dimension: 50\*50\*79.2cm



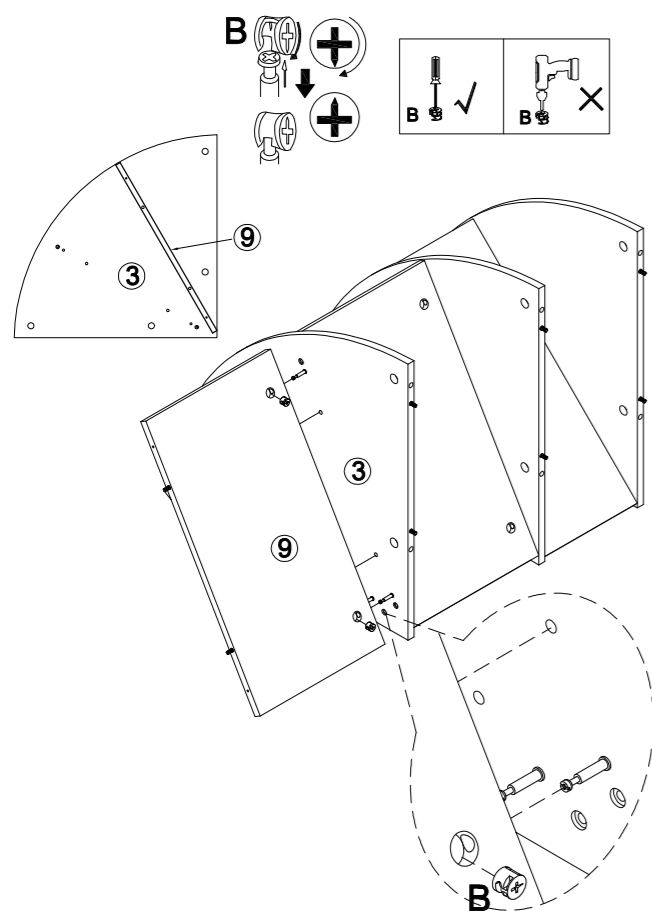
Components					
1		1	2		1
3		1	4		1
5		1	6		1
7		1	8		2
9		2			

Screws & Tools		
A		22pcs
B		22pcs
C		38pcs
D		17pcs




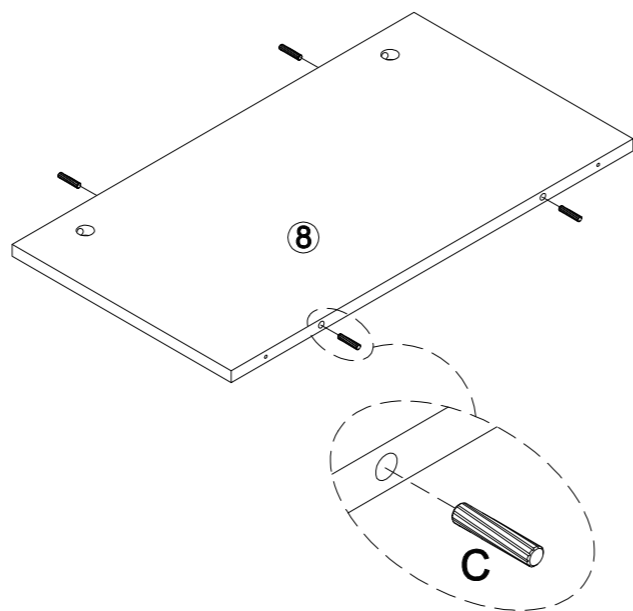
### Step 13

 B×2



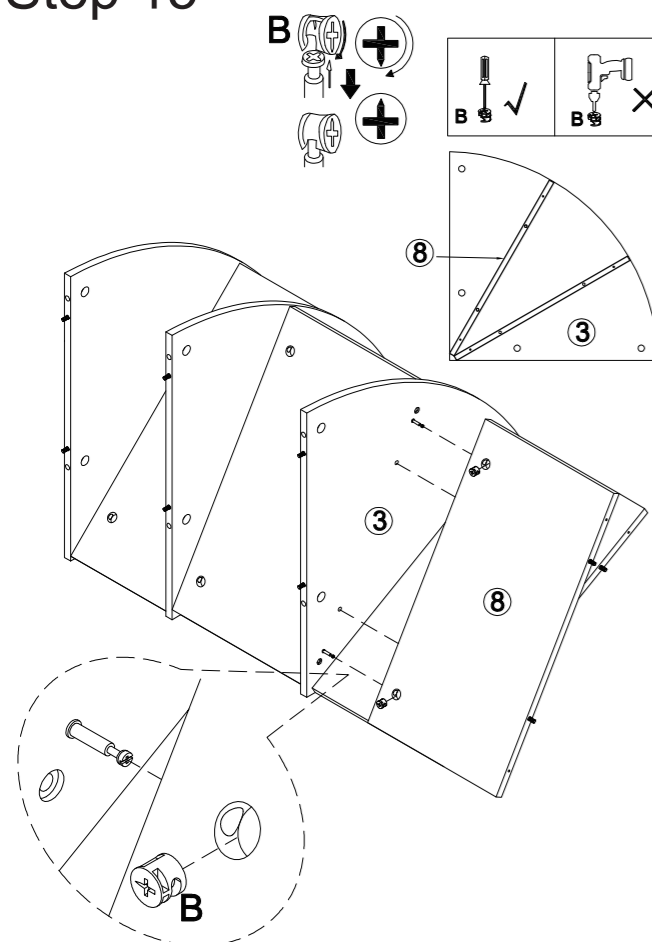
### Step 14

 C×4





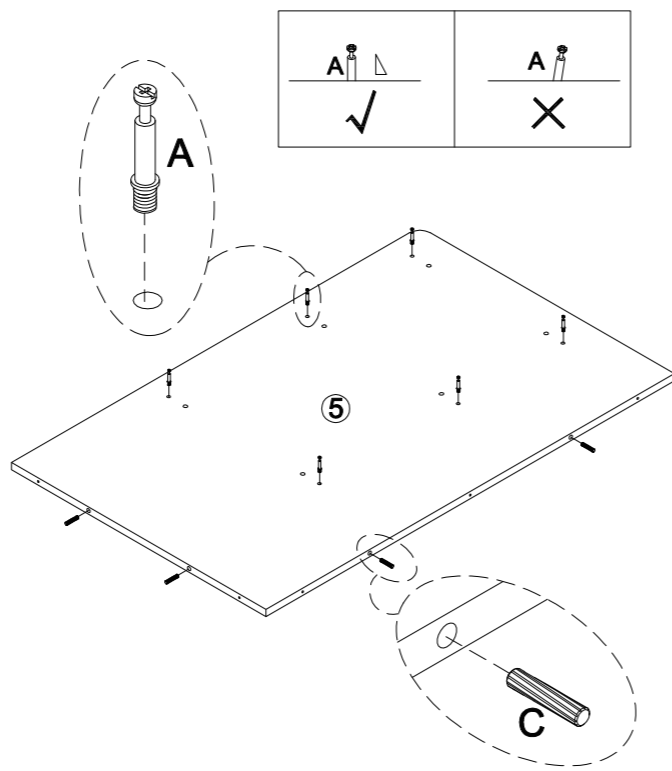
### Step 15

 B×2

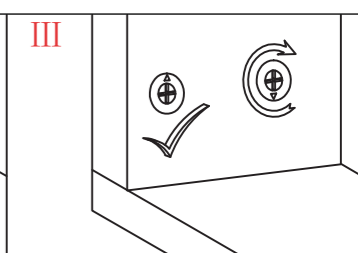
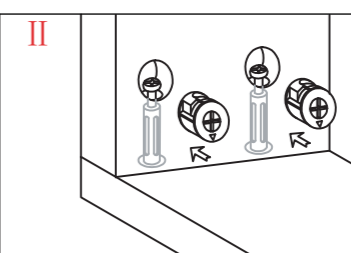
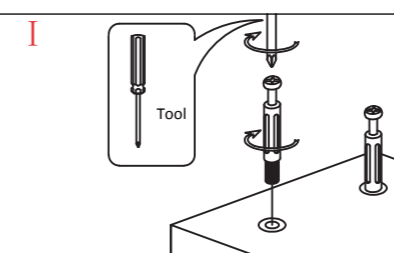


### Step 16



 A×6  
 C×4

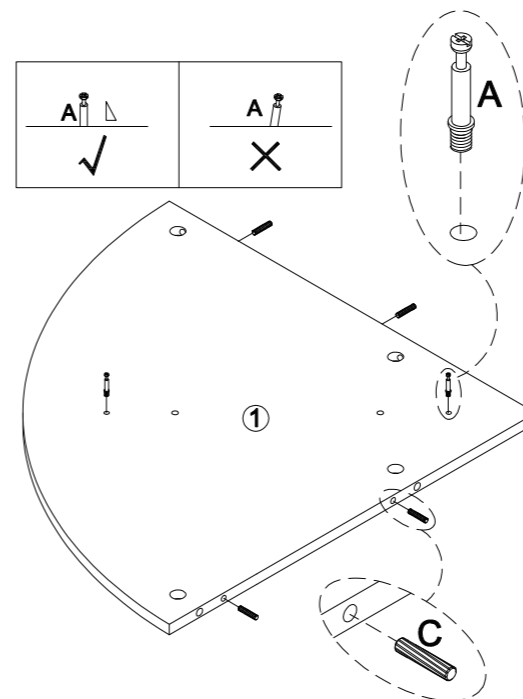


"A&B" Hardware  
Assembly example




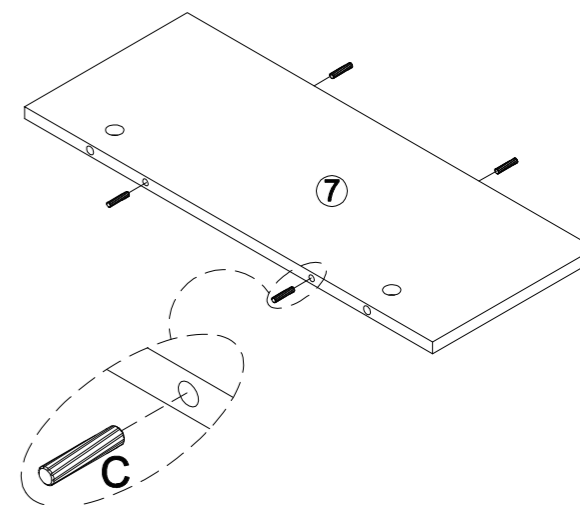
### Step 1

 A×2  
 C×4




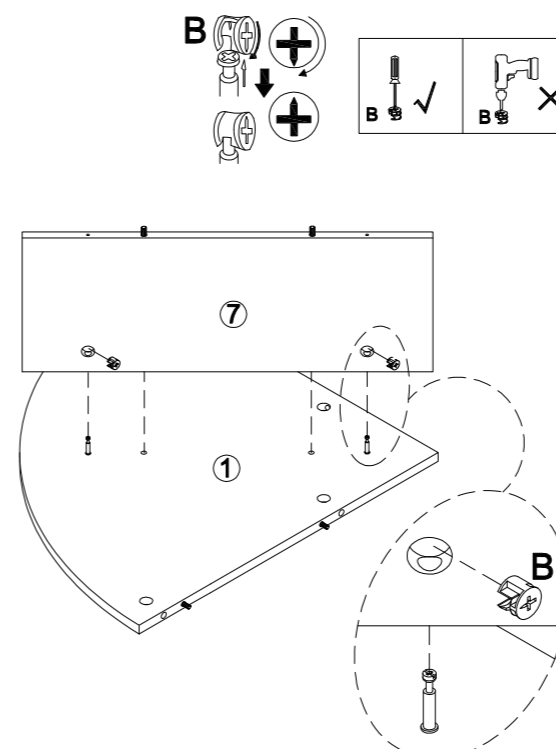
### Step 2

 C×4



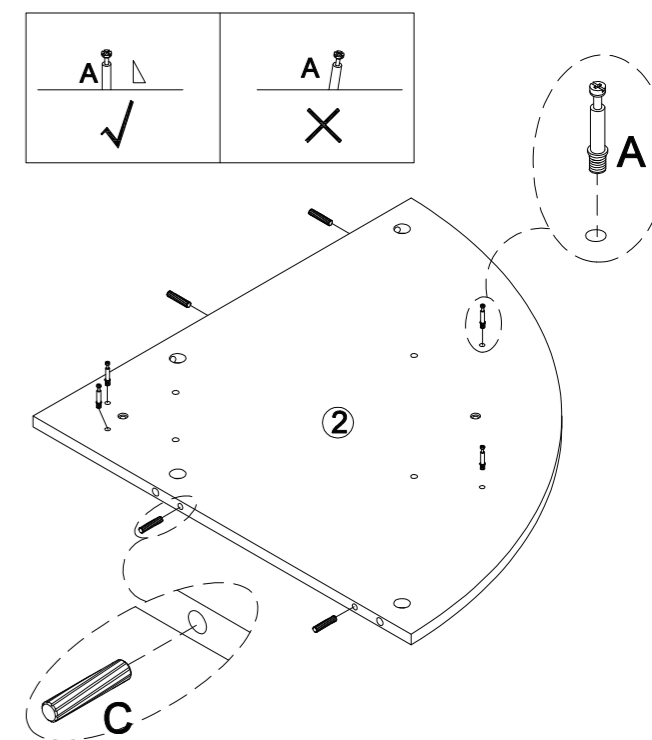
### Step 3

 B×2




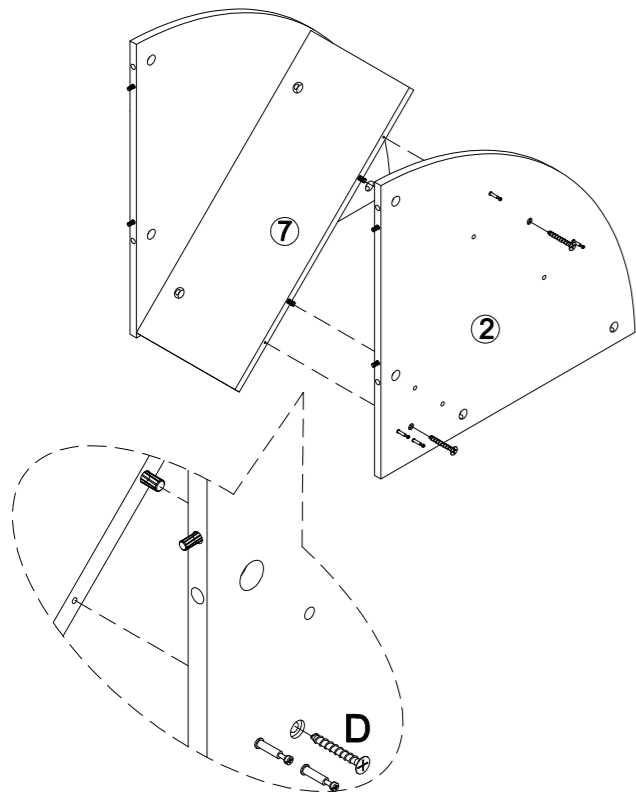
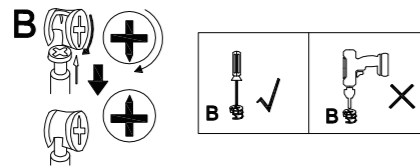
### Step 4

 A×4  
 C×4




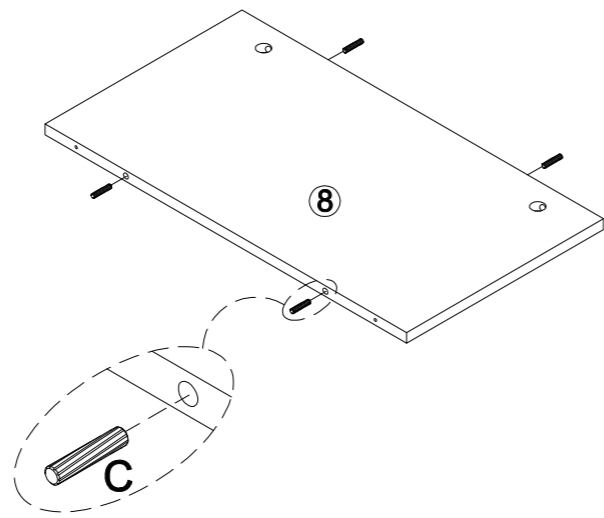
### Step 5

 D×2



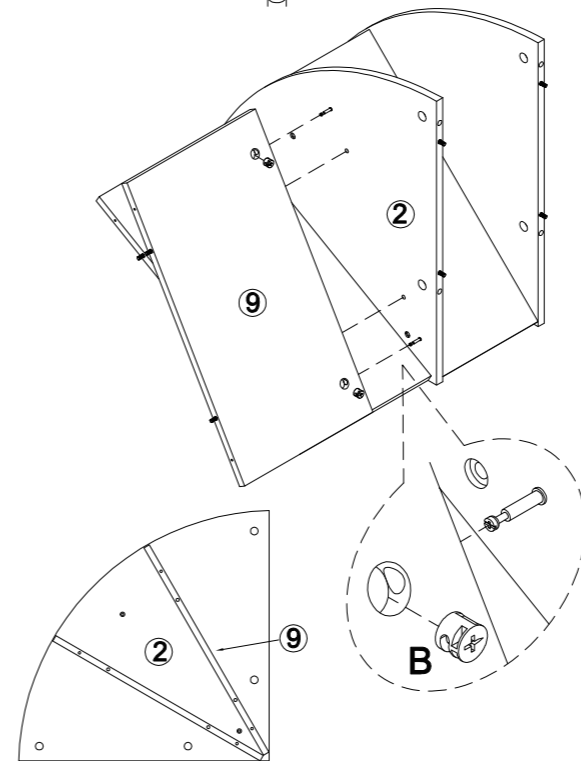
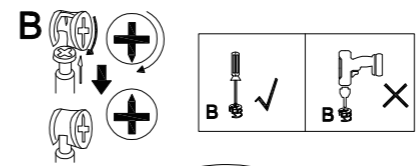
### Step 6

 C×4




### Step 9

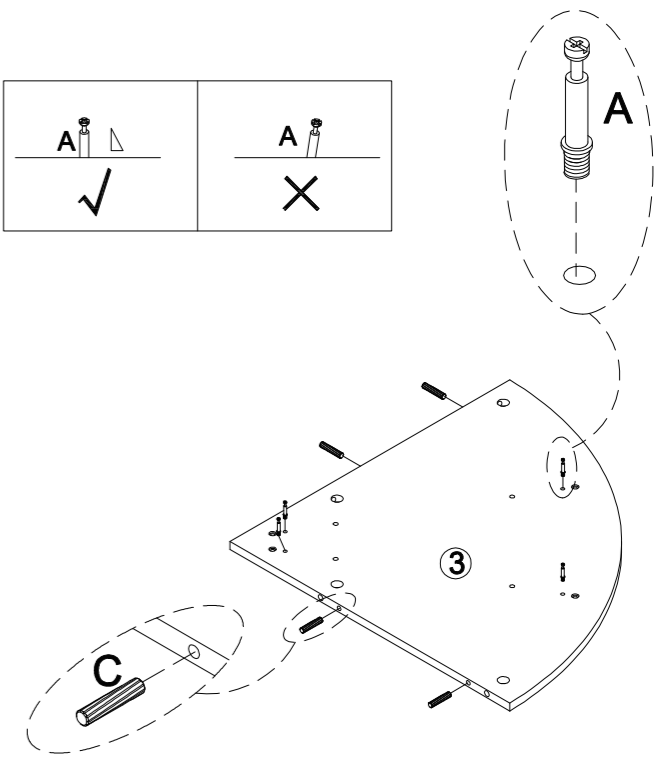
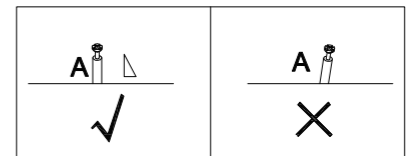
 B×2




### Step 10

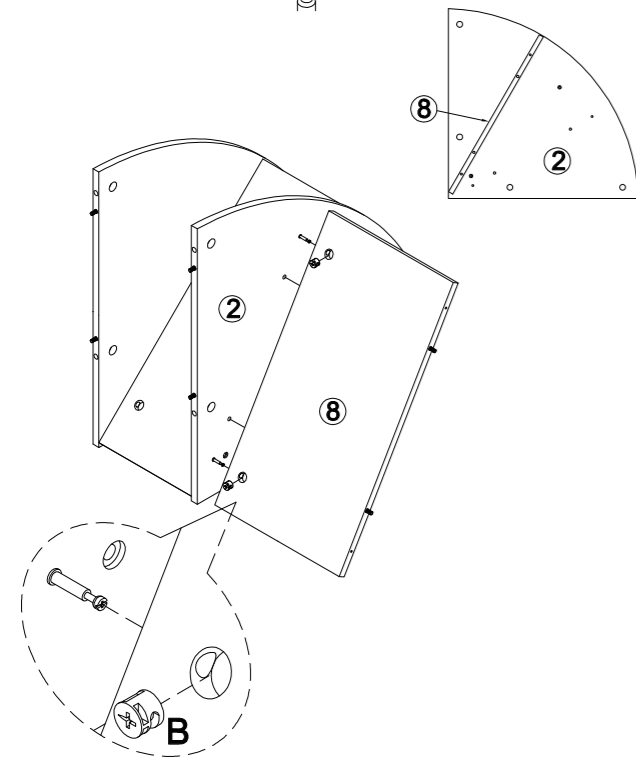
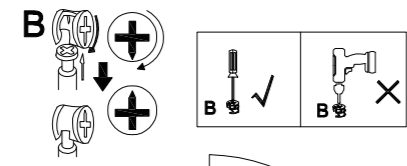
 A×4

 C×4




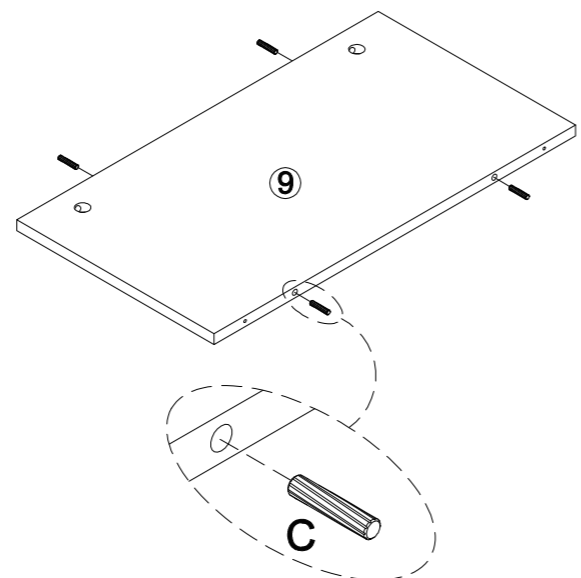
### Step 7

 B×2




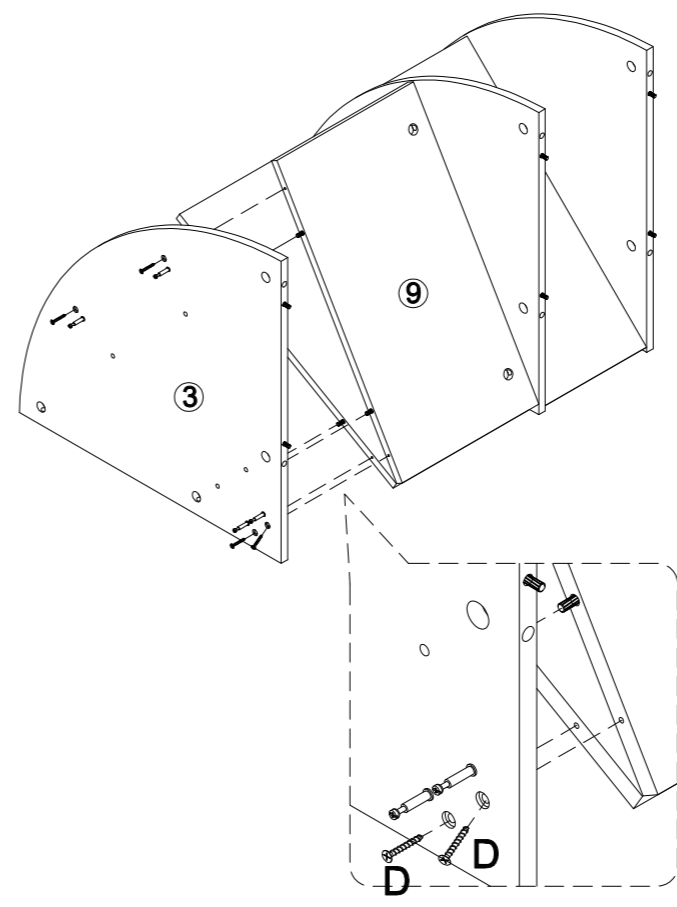
### Step 8

 C×4



### Step 11

 D×4



### Step 12

 C×4

