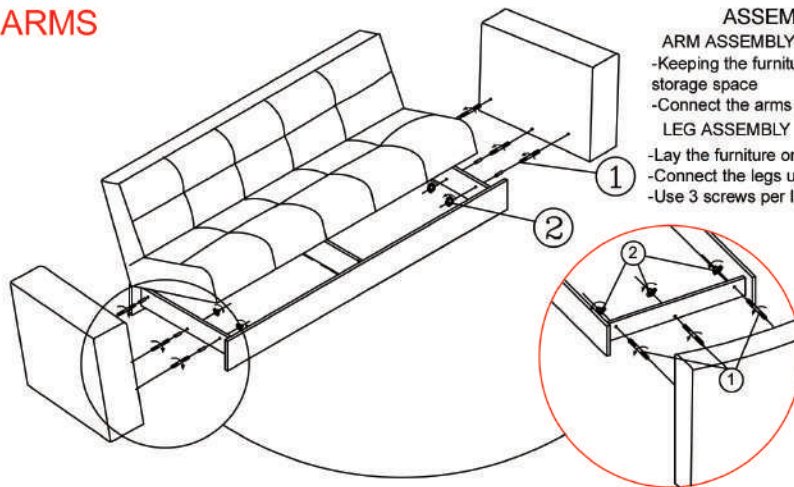


ASSEMBLY INSTRUCTIONS

- ① Stud Bolt 5/16 x6
- ② Butterfly Nut 5/16 x6
- ③ SCREWS 5X70 x12
- ④ LEGS x4
- ⑤ ONLY FOR SOFA AND LOVESEAT Support Leg x1

ARMS



ASSEMBLY INSTRUCTIONS

- ARM ASSEMBLY**
- Keeping the furniture in seating position get access to storage space
- Connect the arms with bolts(1) and butterfly nuts(2)
- LEG ASSEMBLY**
- Lay the furniture on its back
- Connect the legs under the arms with screws (3)
- Use 3 screws per leg

LEGS

