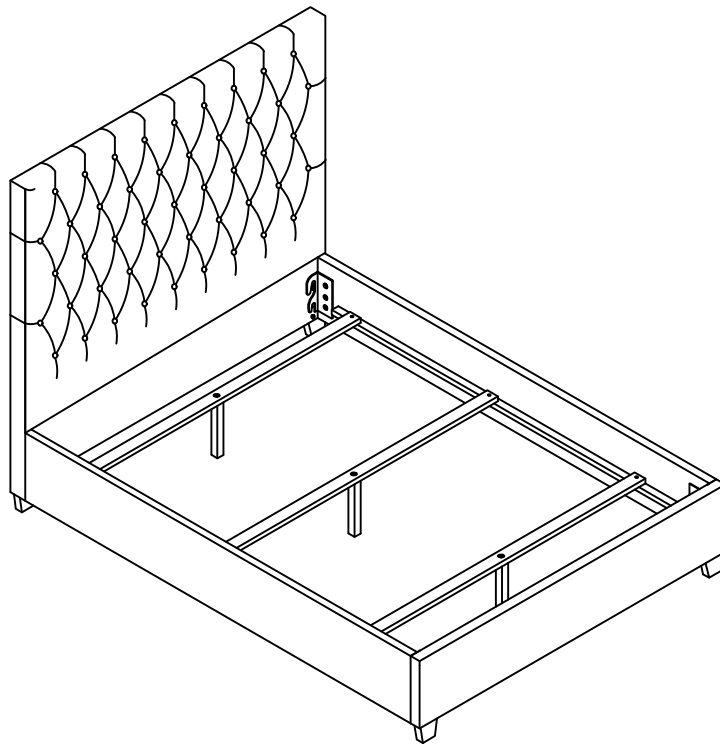


ASSEMBLY INSTRUCTIONS
COASTER FINE FURNITURE



Fine Furniture for every stage of life

300529Q(B1&B2)
Queen Bed

ITEM: 300529Q(B1&B2)



ASSEMBLY INSTRUCTIONS

ASSEMBLY TIPS:

1. Remove hardware from box and sort by size.
2. Please check to see that all hardware and parts are present prior to start of assembly.
3. Please follow attached instructions in the same sequence as numbered to assure fast & easy assembly.



WARNING!

1. Don't attempt to repair or modify parts that are broken or defective. Please contact the store immediately.
2. This product is for home use only and not intended for commercial establishments.



ASSEMBLY TIME

15 MINUTES

PARTS IDENTIFICATION

B1 (BOX 1)

AV HEADBOARD PANEL		1PC	BV HEADBOARD LEG		2PCS
--------------------	--	-----	------------------	--	------

B2 (BOX 2)

CV FOOTBOARD LEG		2PCS	DV BED RAIL		2PCS
EV FOOTBOARD PANEL		1PC	FV BED SLAT		3PCS
GV BED SLAT SUPPORT WITH LEVELER		3PCS	HV HEADBOARD CORNER BRACKET-LEFT		1PC
IV HEADBOARD CORNER BRACKET-RIGHT		1PC	JV FOOTBOARD CORNER BRACKET		2PCS
HBV 300529Q(B1) FROM BOX 1 HEADBOARD COMPLETE		1PC	FBV 300529Q(B2) FROM BOX 2 FOOTBOARD COMPLETE		1PC

ITEM: 300529Q(B1&B2)



ASSEMBLY INSTRUCTIONS

ASSEMBLY TIPS:

1. Remove hardware from box and sort by size.
2. Please check to see that all hardware and parts are present prior to start of assembly.
3. Please follow attached instructions in the same sequence as numbered to assure fast & easy assembly.



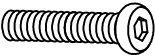


WARNING!




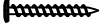
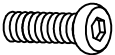
1. Don't attempt to repair or modify parts that are broken or defective. Please contact the store immediately.
2. This product is for home use only and not intended for commercial establishments.

HARDWARE IDENTIFICATION

Z-B1 (BOX 1) - HARDWARE PACK IS LOCATED IN 300529Q(B1)

1	ALLEN WRENCH (5mm - BLK)		1PC	2	FLAT WASHER (Ø5/16' - BLK)		2PCS
3	BOLT (Ø5/16"x 70mm-BLK)		2PCS				

Z-B2 (BOX 2) - HARDWARE PACK IS LOCATED IN 300529Q(B2)

4	ALLEN WRENCH (5mm - BLK)		1PC	5	FLAT WASHER (Ø5/16' - BLK)		24PCS
6	LONG BOLT (Ø5/16"x 70mm-BLK)		2PCS	7	FLAT HEAD SCREW (M4 x 30mm - BLK)		6PCS
8	SHORT BOLT (Ø5/16"x 25mm-BLK)		22PCS				

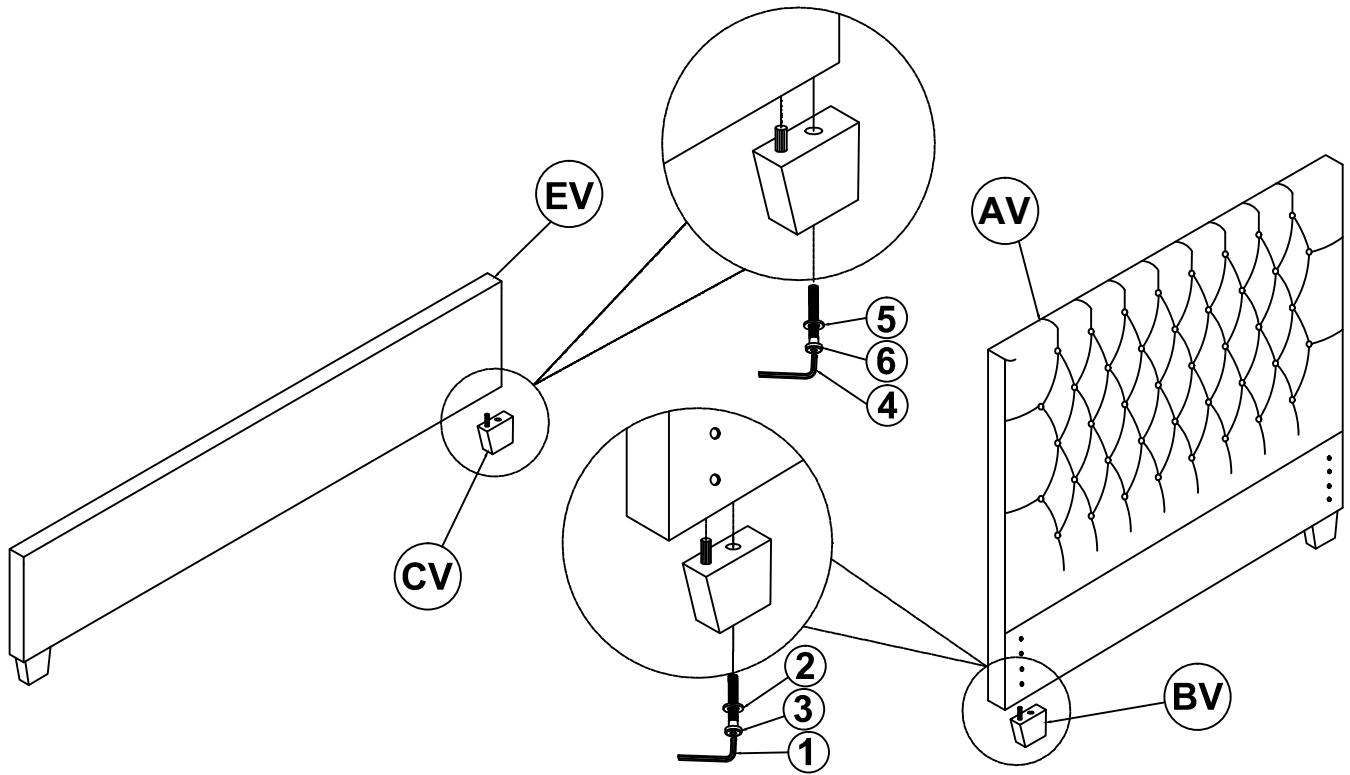
NOTE:

Phillips head screw driver is required in the assembly process; however, manufacturer does not provide this item.

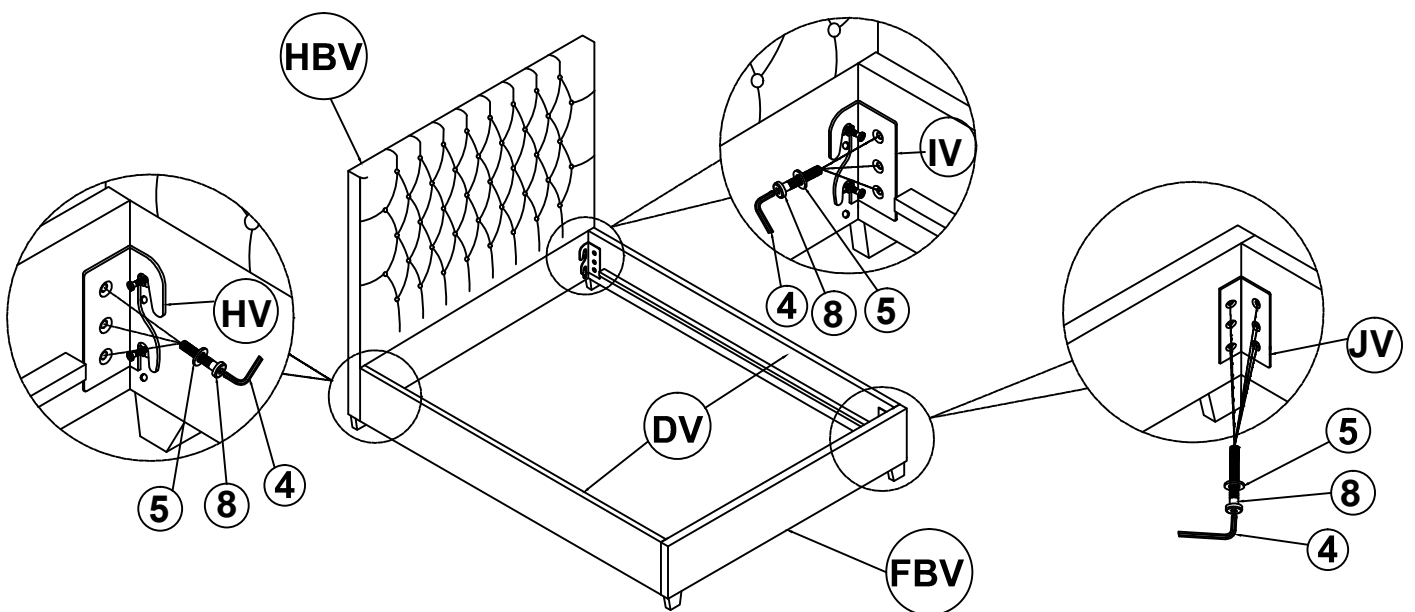
ITEM: 300529Q(B1&B2)

ASSEMBLY INSTRUCTIONS

STEP 1



STEP 2

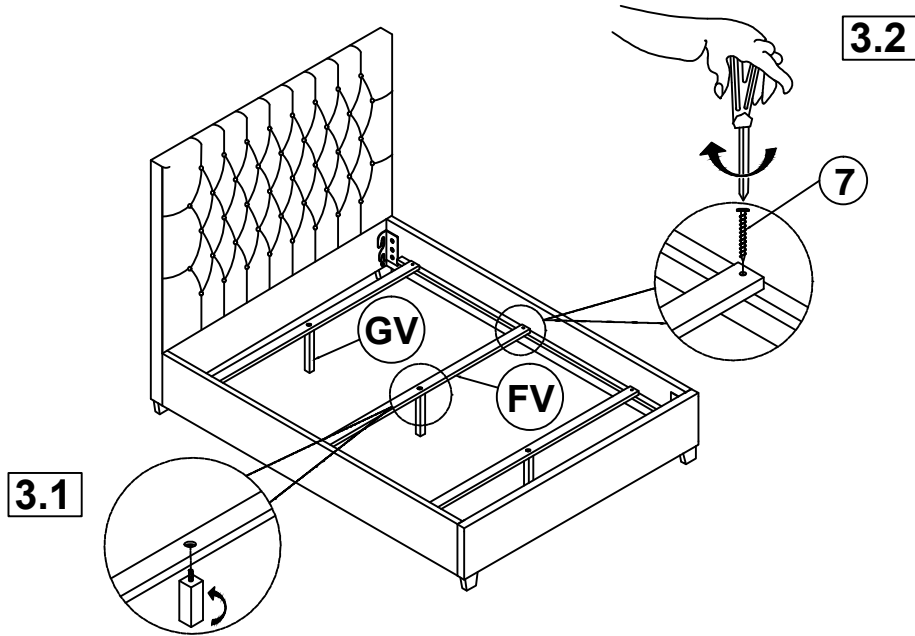


ITEM: **300529Q(B1&B2)**

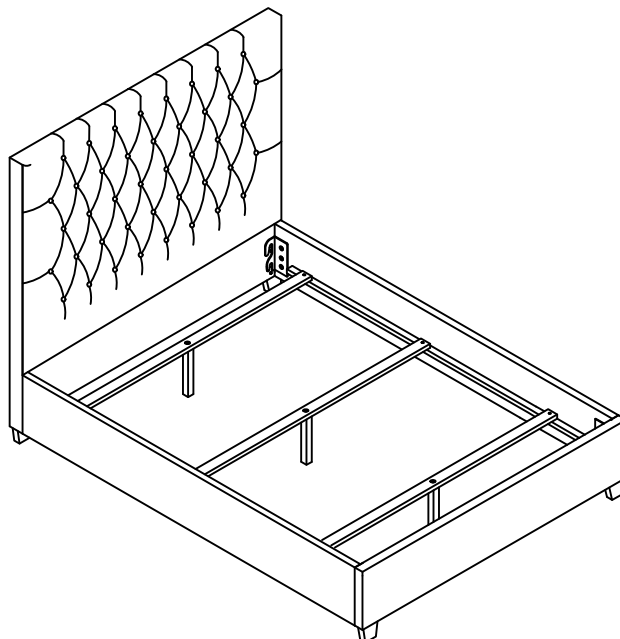


ASSEMBLY INSTRUCTIONS

STEP 3



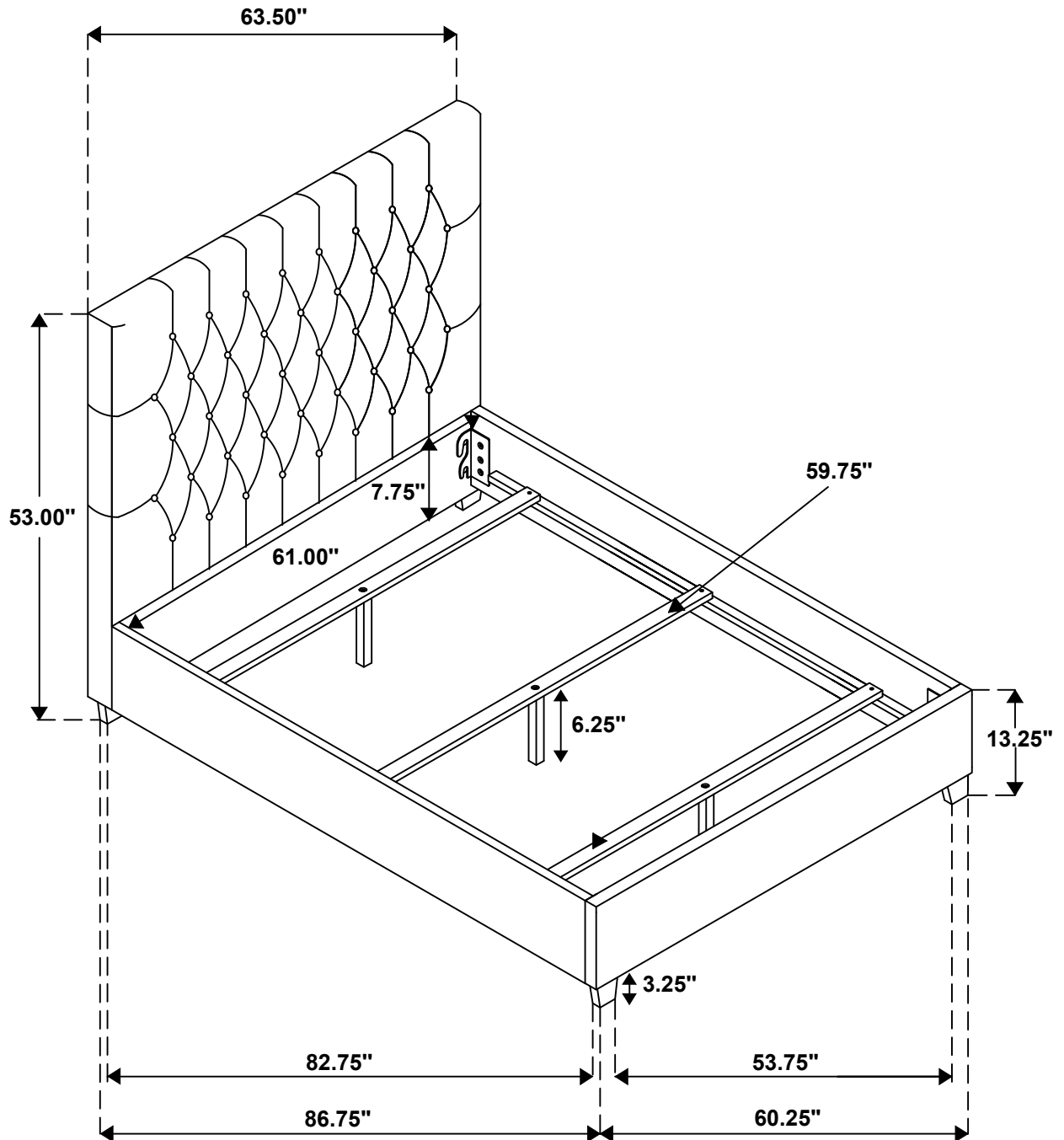
STEP 4
COMPLETE



ITEM: 300529Q(B1&B2)

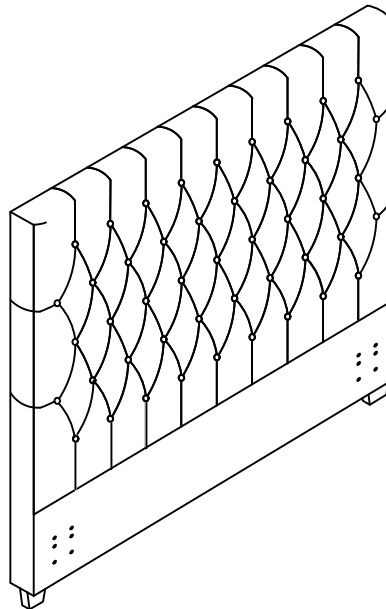


Inner Size: 61.00"W X 81.25"D



Note: Dimension tolerance $\pm 5\%$

ASSEMBLY INSTRUCTIONS
COASTER FINE FURNITURE



Fine Furniture for every stage of life

300529Q(B1)
Queen Headboard

ITEM: 300529Q(B1)



ASSEMBLY INSTRUCTIONS

ASSEMBLY TIPS:

1. Remove hardware from box and sort by size.
2. Please check to see that all hardware and parts are present prior to start of assembly.
3. Please follow attached instructions in the same sequence as numbered to assure fast & easy assembly.



WARNING!

1. Don't attempt to repair or modify parts that are broken or defective. Please contact the store immediately.
2. This product is for home use only and not intended for commercial establishments.



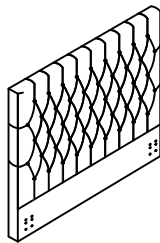
ASSEMBLY TIME

15 MINUTES

PARTS IDENTIFICATION

B1 (BOX 1)

AV HEADBOARD PANEL



1PC

BV HEADBOARD LEG



2PCS

HARDWARE IDENTIFICATION

Z-B1 (BOX1) - HARDWARE PACK IS LOCATED IN 300529Q(B1)

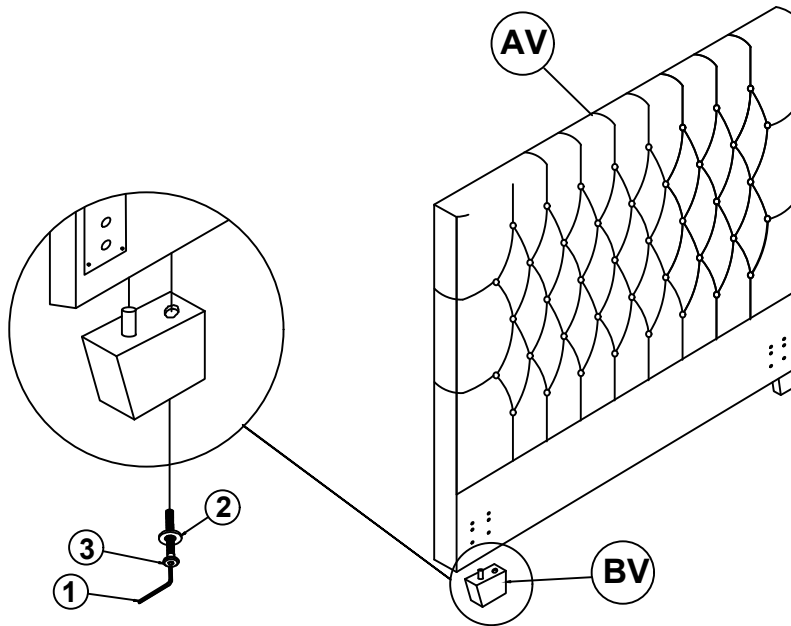
1	ALLEN WRENCH (5mm - BLK)		1PC	2	FLAT WASHER (Ø5/16" - BLK)		2PCS
3	BOLT (Ø5/16" x 70mm - BLK)		2PCS				
9	HEX NUT (6mm x 13mm x 13 - BLK)		6PCS	10	WRENCH (14mm - BLK)		1PC
11	BOLT (Ø1/4" x 38mm - BLK)		6PCS	12	SMALL LOCK WASHER (Ø1/4" - BLK)		12PCS
13	SMALL FLAT WASHER (Ø1/4" - BLK)		12PCS				

ITEM: 300529Q(B1)

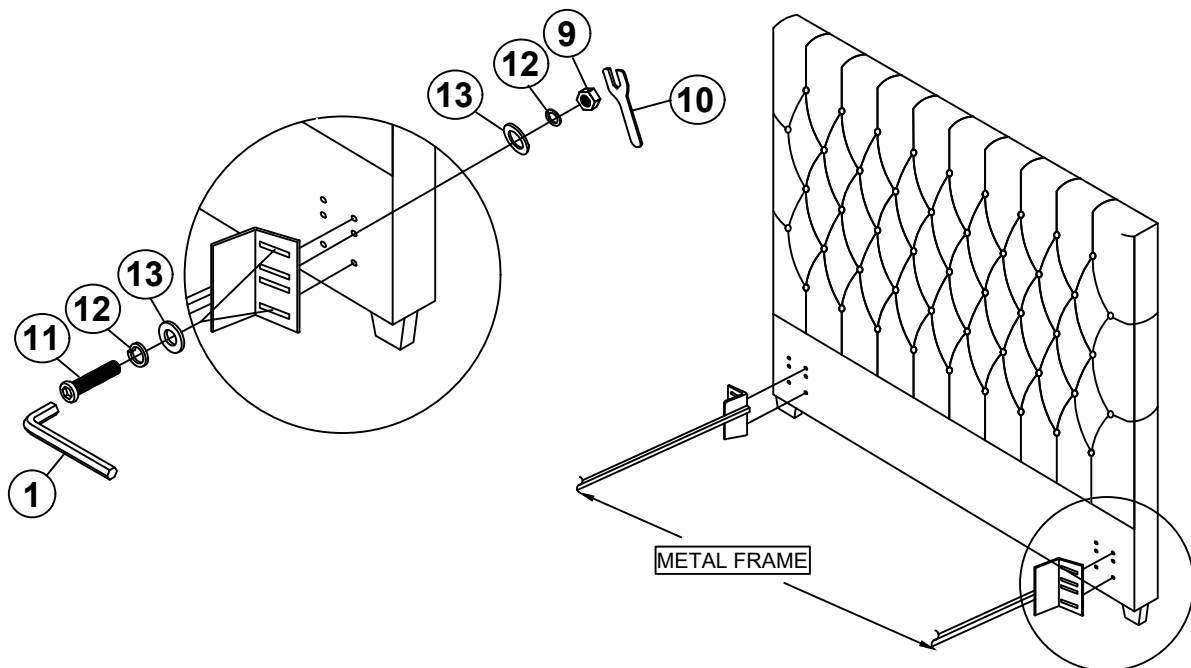
ASSEMBLY INSTRUCTIONS



STEP 1



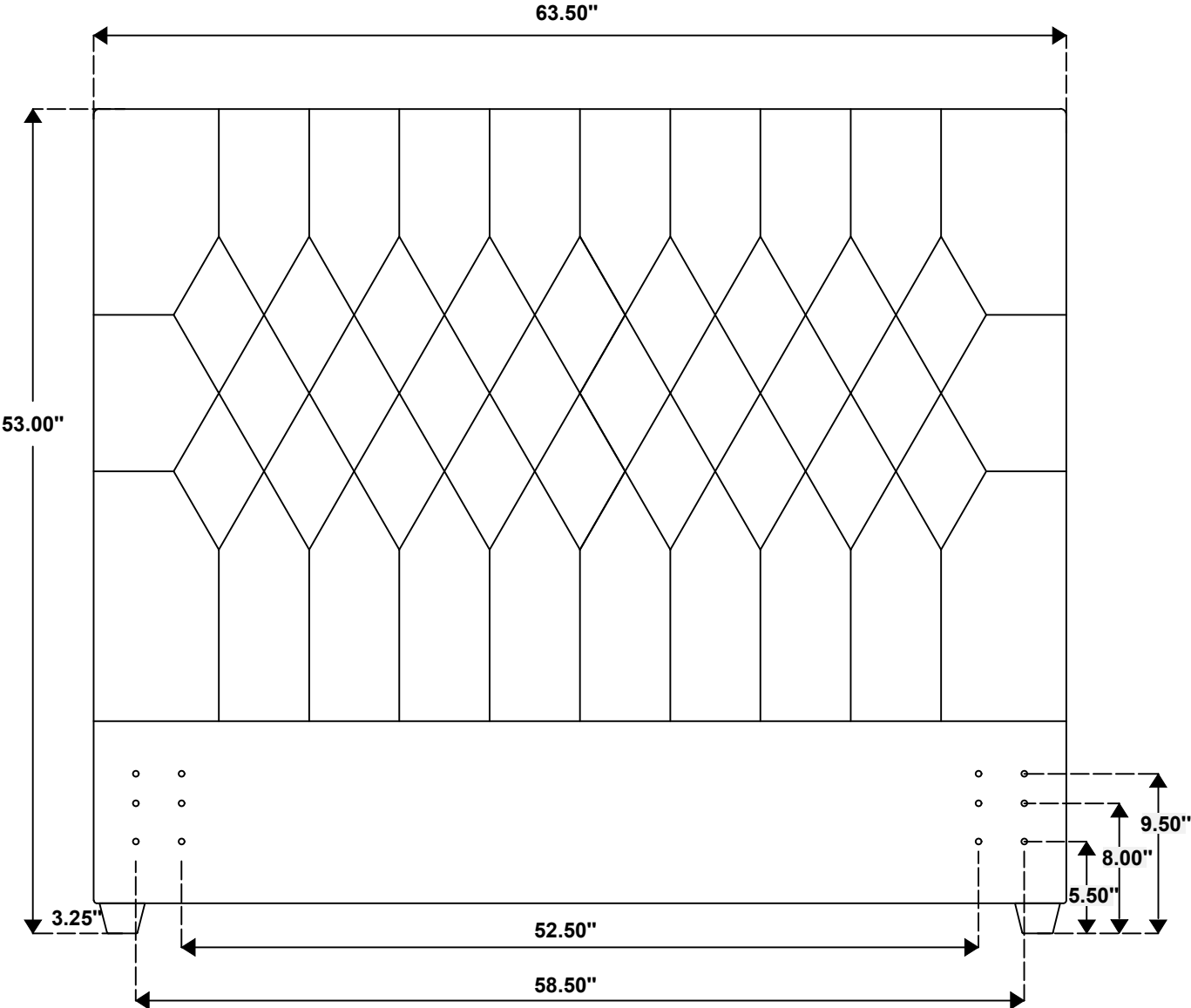
STEP 2 COMPLETE



ITEM: **300529Q(B1)**



Inner Size: 61.00"W X 81.25"D



Note: Dimension tolerance $\pm 5\%$