

Pure & Easy

# ASSEMBLY INSTRUCTIONS

FTPLSS-0079  
FTPLSS-0080

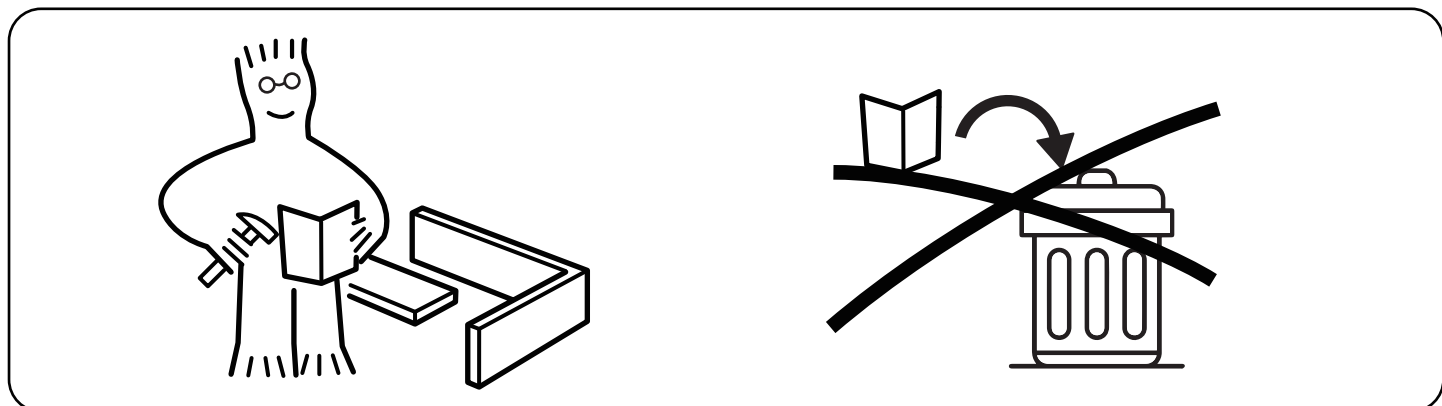
FTPLSS-0081  
FTPLSS-0082

FTPLSS-0083  
FTPLSS-0084

LZRL-V1

# NOTICE

IMPORTANT, RETAIN FOR FUTURE REFERENCE: READ CAREFULLY  
WICHTIG, FÜR SPÄTERE NACHSCHLAGE AUFBEWAHREN: SORGFÄLTIG LESEN  
IMPORTANTE, GUARDAR PARA REFERENCIA POSTERIOR: LEER ATENTAMENTE  
IMPORTANTE, CONSERVARE PER RIFERIMENTI FUTURI: LEGGERE ATTENTAMENTE  
IMPORTANT, À CONSERVER POUR RÉFÉRENCE FUTURE : LIRE ATTENTIVEMENT



Assemble on a flat and solid surface. To avoid the unstable surface affecting the overall frame stability during installation.

Montieren Sie auf einer ebenen und festen Oberfläche. Um zu verhindern, dass eine unebene Oberfläche während der Montage die Gesamtrahmen-Stabilität beeinträchtigt.

Ensamblar en una superficie plana y sólida. Afin d'éviter que la surface inégale n'affecte la stabilité générale du cadre lors de l'installation.

Assemblare su una superficie piana e solida. Per evitare che una superficie irregolare influisca sulla stabilità complessiva della struttura durante l'installazione.

Assembler sur une surface plate et solide. Para evitar que la instalación en una superficie irregular afecte la estabilidad general del marco.

Professional installation is highly recommended.

Eine professionelle Installation wird dringend empfohlen.

Une installation professionnelle est fortement recommandée.

Si raccomanda vivamente l'installazione professionale.

Se recomienda altamente la instalación profesional.



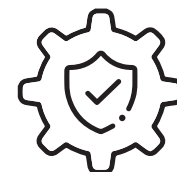
Periodically Check That All Components Are Tightly Secured.

Überprüfen Sie Regelmäßig, Dass Alle Komponenten Fest Gesichert Sind.

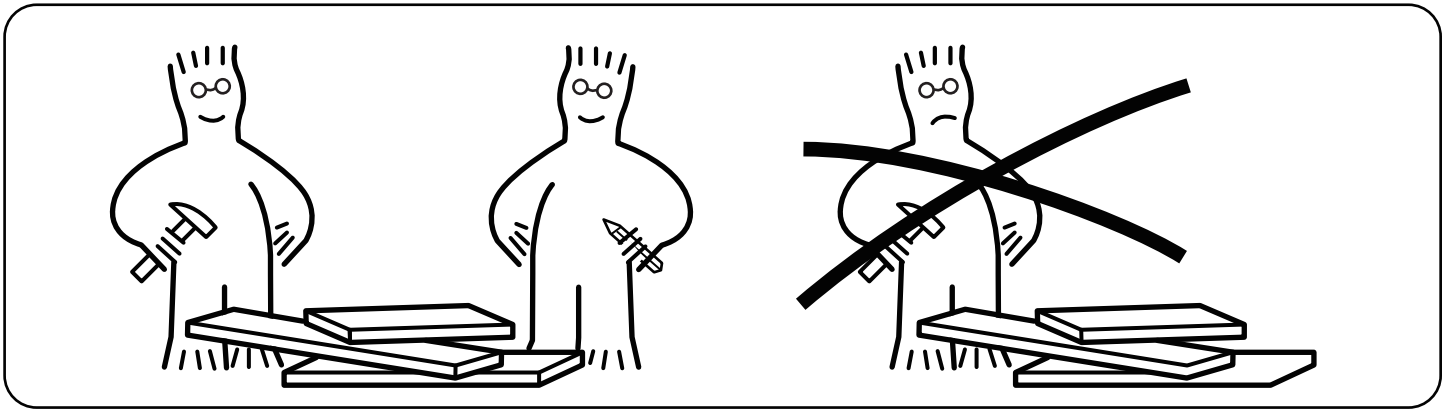
Vérifiez Périodiquement Que Tous Les Composants Sont Bien Fixés.

Controllare Periodicamente Che Tutti I Componenti Siano Ben Fissati.

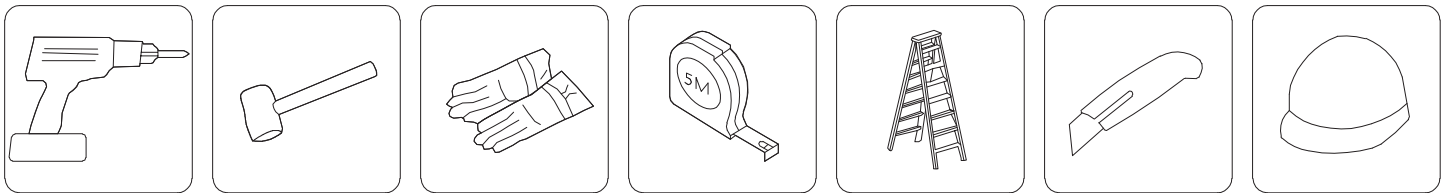
Verifique Periódicamente Que Todos Los Componentes Estén Bien Asegurados.



It is recommended that multiple people assemble this product.  
Es wird empfohlen, dass mehrere Personen dieses Produkt zusammenbauen.  
Il est recommandé que plusieurs personnes assemblent ce produit.  
Si raccomanda che più persone assemblino questo prodotto.  
Se recomienda que varias personas ensamblen este producto.

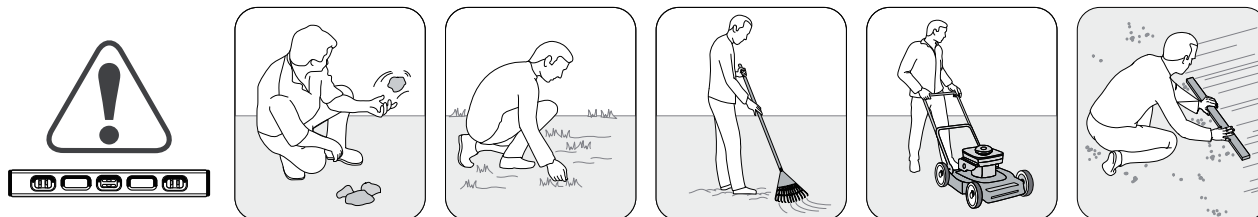


Please have the following auxiliary tools ready:



**SITE PREPARATION | PRÉPARATION DU SITE | PREPARACIÓN DEL LUGAR | VORBEREITUNG DES AUFSTELLUNGORTES | VOORBEREIDING VAN HET TERREIN | PREPARAZIONE DEL LUOGO DI ASSEMBLAGGIO | PREPARAÇÃO DO LOCAL**

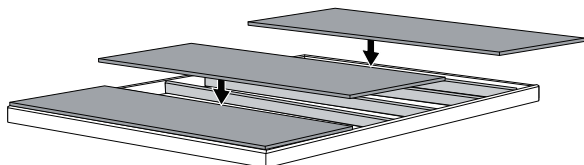
**Level the ground surface | Nivelez la surface du sol | Nivele la superficie del suelo | Ebenen Sie die Bodenoberfläche | Maak de bodem vlak | Livellare la superficie del terreno | Nivele a superfície do solo**



**Recommendation: Construct a wooden or concrete base as a foundation |** Recommandation: fabriquez une base en bois ou en béton en guise de fondation | **Recomendación: construya una base de madera o de cemento a modo de cimiento |** Empfehlung: Bauen Sie als Fundament eine Grundfläche aus Holz oder Beton | **Aanbeveling: maak een houten of betonnen ondergrond als fundering |** Raccomandazione: Costruire una base di legno o di cemento come fondamenta | **Recomendação: Construa uma base de madeira ou de cimento como fundação**

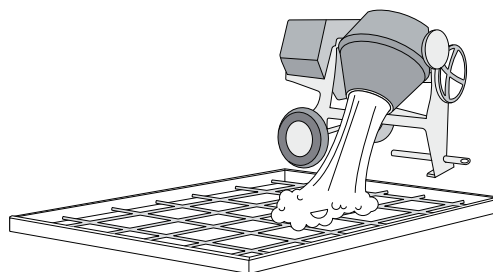
**Option | Opción | optie | opzione | opção**

**A**



**Option | Opción | optie | opzione | opção**

**B**



**External floor measurements are: | Les mesures externes de la étage sont: | Las medidas del suelo externo son: | Die Außen-Bodenmaße betragen: | De afmetingen van de externe vloer zijn: | Le dimensioni esterne del pavimento sono: | As medidas externas do chão são:**



---

**BEFORE STARTING ASSEMBLY | AVANT DE COMMENCER LE MONTAGE | ANTES DE EMPEZAR EL ARMADO | VOR MONTAGEBEGINN | VOORDAT U BEGINT TE MONTEREN | PRIMA DI INIZIARE L'ASSEMBLAGGIO | ANTES DE INICIAR A MONTAGEM**

---

**Read the care and safety guidelines at the end of this manual | Check to ensure that there are no missing or damaged parts BEFORE starting or arranging assembly | Remove all parts from the package(s) and spread them out on a clean work surface | Review all assembly instructions | Assemble all the parts according to the directions in this manual. Do not skip any steps.**

Lisez les instructions de précaution et de sécurité à la fin de ce manuel | Assurez-vous qu'il n'y a pas de pièces manquantes ou endommagées AVANT de commencer ou d'organiser l'assemblage | Retirez toutes les pièces du/des paquet(s) et étalez-les sur une surface de travail propre | Lisez toutes les instructions de montage | Assemblez toutes les pièces selon les instructions de ce manuel. Ne sautez aucune étape.

**Lea las instrucciones de precauciones y seguridad que están al final de este manual | Asegúrese de que no faltan piezas ni están dañadas ANTES de comenzar o disponer el montaje | Saque todas las piezas del paquete o paquetes y póngalas sobre una superficie de trabajo limpia | Revise todas las instrucciones de montaje | Monte todas las piezas según las instrucciones de este manual. No se saltee ningún paso.**

Lesen Sie die Sicherheitsrichtlinien am Ende des Benutzerhandbuchs durch | Prüfen Sie bitte VOR dem Zusammenbau, dass keine Teile beschädigt sind oder fehlen | Nehmen Sie alle Teile aus der Verpackung und breiten Sie sie auf einer sauberen Arbeitsfläche aus | Gehen Sie noch einmal die komplette Aufbauanleitung durch | Bauen Sie alle Teile entsprechend der Anleitung in diesem Handbuch zusammen. Lassen Sie dabei keinen Arbeitsschritt aus.

**Lees de richtlijnen voor zorg en veiligheid achterin deze handleiding | Controleer dat er geen onderdelen mankeren, of beschadigd zijn, VOORDAT u met de montage begint | Haal alle onderdelen uit het pakket (of uit de pakketten) en leg ze opeen schoon werkoppervlak | Bekijk alle montagehandleidingen | Monteer alle onderdelen volgens de aanwijzingen van deze handleiding. Sla geen stappen over.**

Leggere le linee guida di assistenza e sicurezza alla fine di questo manuale | Assicurarsi che non ci siano parti mancanti o danneggiate PRIMA di iniziare l'assemblaggio | Estrarre tutti i componenti dall'imballo e posizzarli su una superficie di lavoro pulita | Consultare tutte le istruzioni di montaggio | Assemblare tutti i componenti secondo le istruzioni contenute nel manuale. Non saltare nessuna fase.

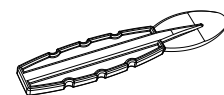
**Leia as diretrizes de cuidados e segurança que constam da parte final deste manual | Verifique para se assegurar de que não há peças em falta ou danificadas ANTES de começar a preparar a montagem | Retire todas as peças da embalagem e espalhe-as numa superfície de trabalho limpa | Reveja todas as instruções de montagem | Monte todas as peças de acordo com as instruções do manual. Não salte quaisquer passos.**

---

**SPATULA | SPATULE | ESPÁTULA | SPACHTEL | SPATEL | SPATOLA | ESPĀTULA**

---

- Use spatula (part "SG8") for easier insertion of panel into profile.
- Utilisez la spatule (partie "SG8") pour une meilleure insertion du panneau dans le profil.
- Utilice una espátula (pieza "SG8") para una mejor inserción del panel en el perfil.
- Benutzen Sie den Spachtel (Bezeichnung "SG8"), um die Platten leichter in die Nut einführen zu können.
- Gebruik spatel (onderdeel SG8) voor het gemakkelijk invoeren van het paneel in het profiel.
- Utilizzare la spatola (parte SG8) per inserire il pannello più facilmente nel profilo.
- Utilize uma espátula (peça "SG8") para facilitar a inserção do painel no perfil.

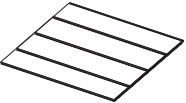



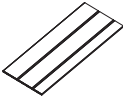


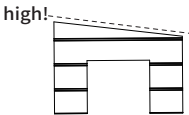

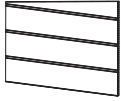




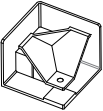


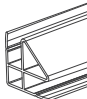


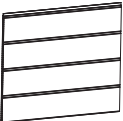
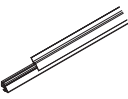


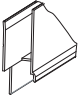
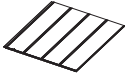
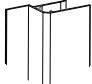
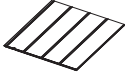
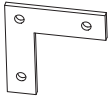
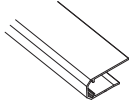

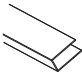
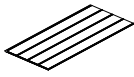
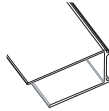
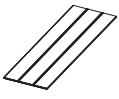
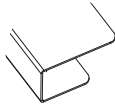

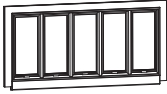

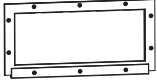


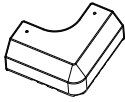
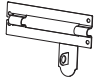
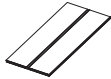
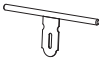
**SG8 x1**

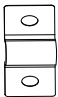

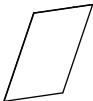
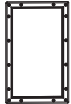
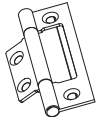

- Use spatula (part "SG8") for easier insertion of panel into profile
- Please ensure the panels are all installed on position before screwing
- Please be mindful of the screw size used during installation; using screws that are too long may damage the shed.



# PARTS

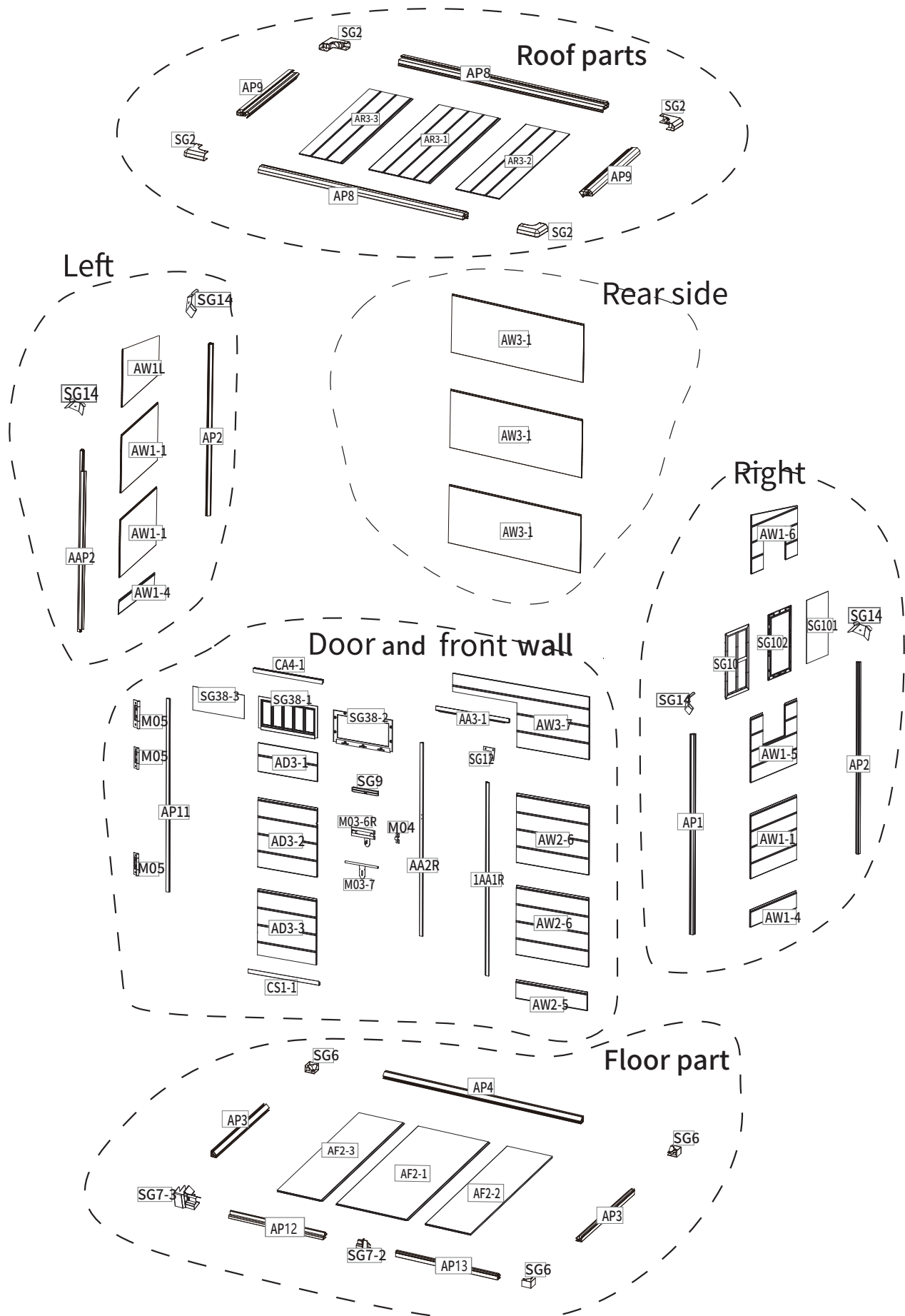
Item no.	Reference Image	Qty.	Item no.	Reference Image	Qty.
AF2-1		X1	AW1-1		X3
AF2-2		X1	AW1-4		X2
AF2-3		X1	AW1-5		X1
AP3		X2	AW1-6		X1
AP4		X1	AW1L		X1
AP12		X1	AW2-5		X1
AP13		X1	AW2-6		X2
SG6		X3	AW3-7		X1
SG7-2		X1	AP2		X2
SG7-3		X1	AP1		X1
AW3-1		X3	AAP2		X1

Item no.	Reference Image	Qty.	Item no.	Reference Image	Qty.
AA3-1		X1	AD3-2		X1
1AA1R		X1	AD3-3		X1
SG12		X1	AA2R		X1
SG14		X4	AP11		X1
AR3-1		X1	CA4-1		X1
AR3-2		X1	CS1-1		X1
AR3-3		X1	SG38-1		X1
AP8		X2	SG38-2		X1
AP9		X2	SG38-3		X1
SG2		X4	M03-6R		X1
AD3-1		X1	M03-7		X1

Item no.	Reference Image	Qty.
M04		X1
SG10		X1
SG101		X1
SG102		X1
M05		X3
SG9		X1

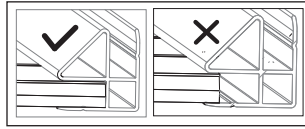
Item no.	Reference Image	Qty.
SG8		X2
Drill		X1
Z410	 ST4x10mm	X32
Z420	 ST4x20mm	X80
ZW413	 ST4x10mm	X14
Z310	 ST3x10mm	X12

# EXPLODED VIEW

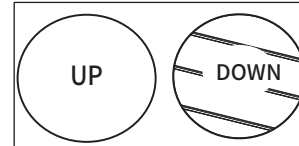


# ASSEMBLY

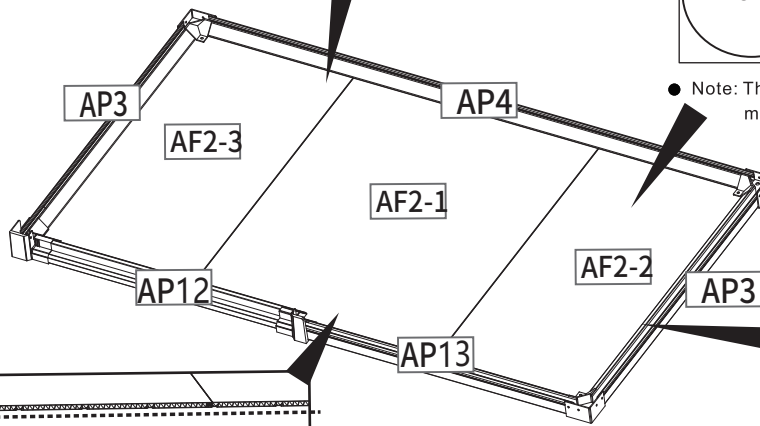
## Floor Assembly



● Fully fit the panel inside the profile.



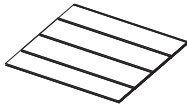
● Note: The crease line of the floor must be underneath



● The floor panels must be straight.

● Use spatula (part "SG8") for easier insertion of panel into profile.

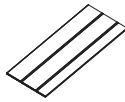
# 1



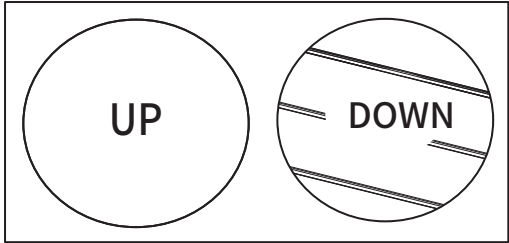
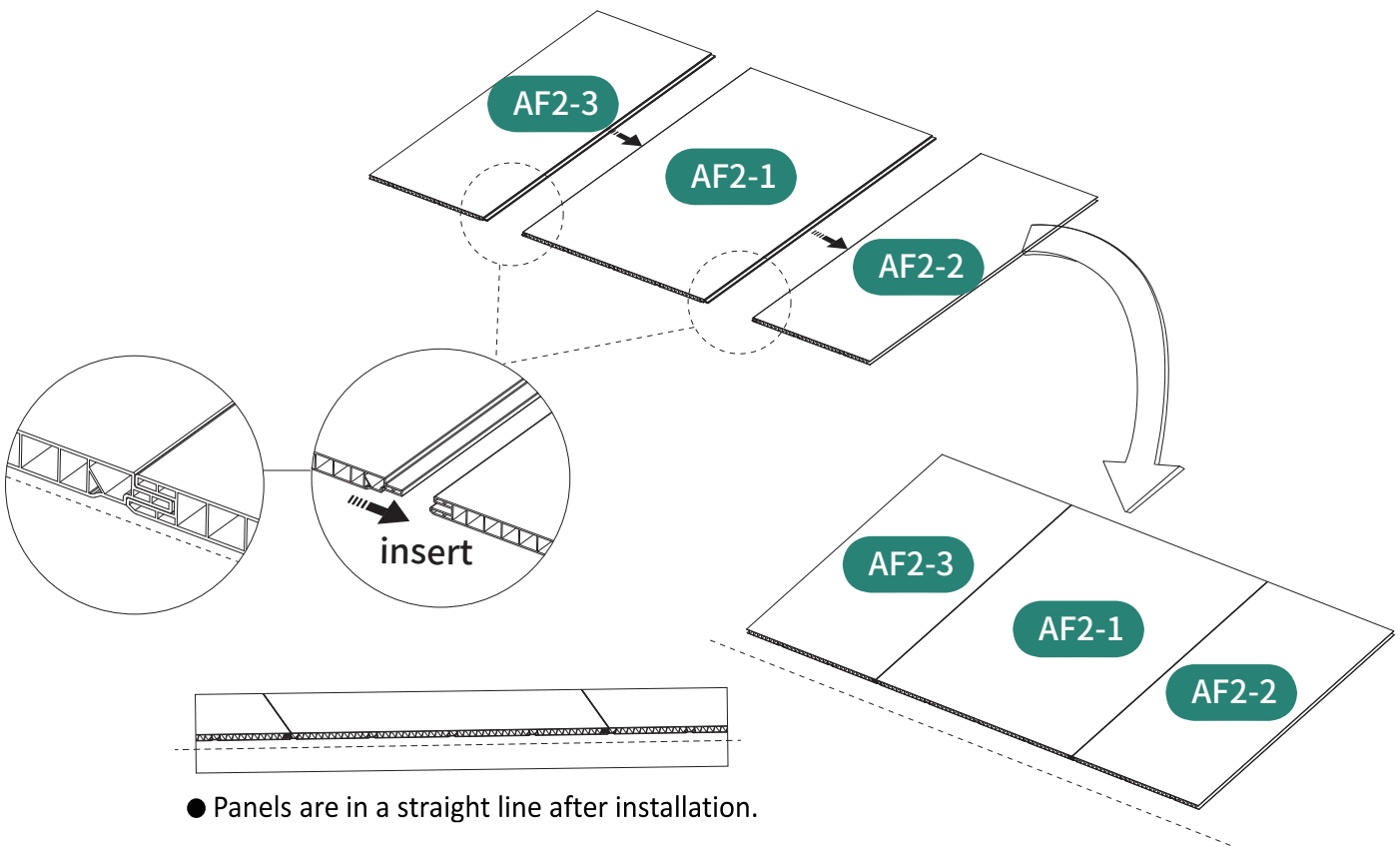
AF2-1 1pc



AF2-2 1pc



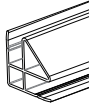
AF2-3 1pc



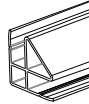
# 2



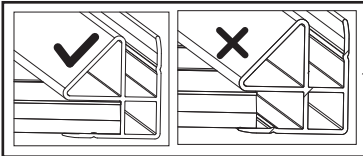
SG6 2pcs



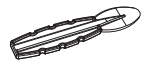
AP3 2pcs



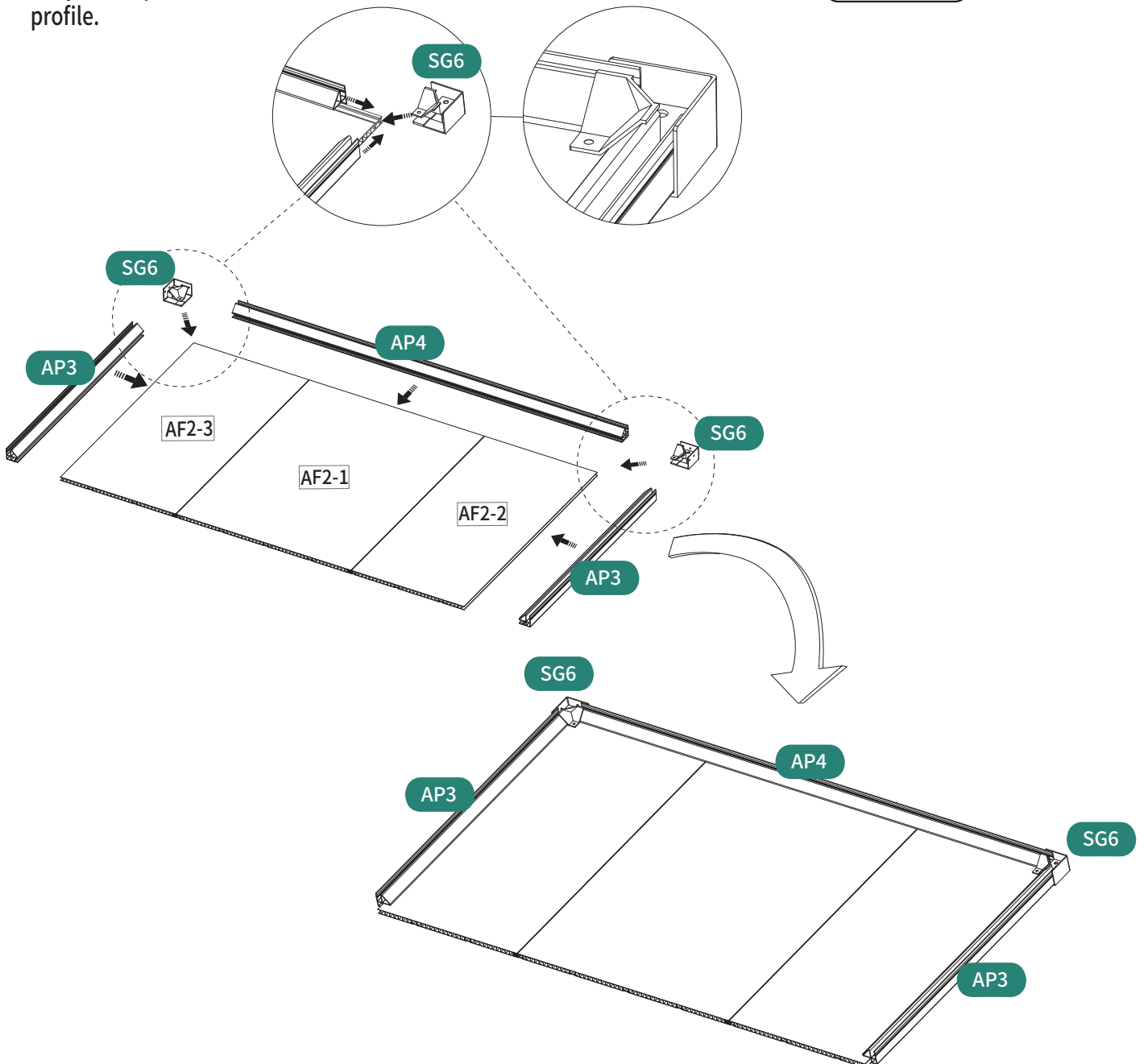
AP4 1pc



● Fully fit the panel inside the profile.



SG8



# 3



AP13 1pc



AP12 1pc



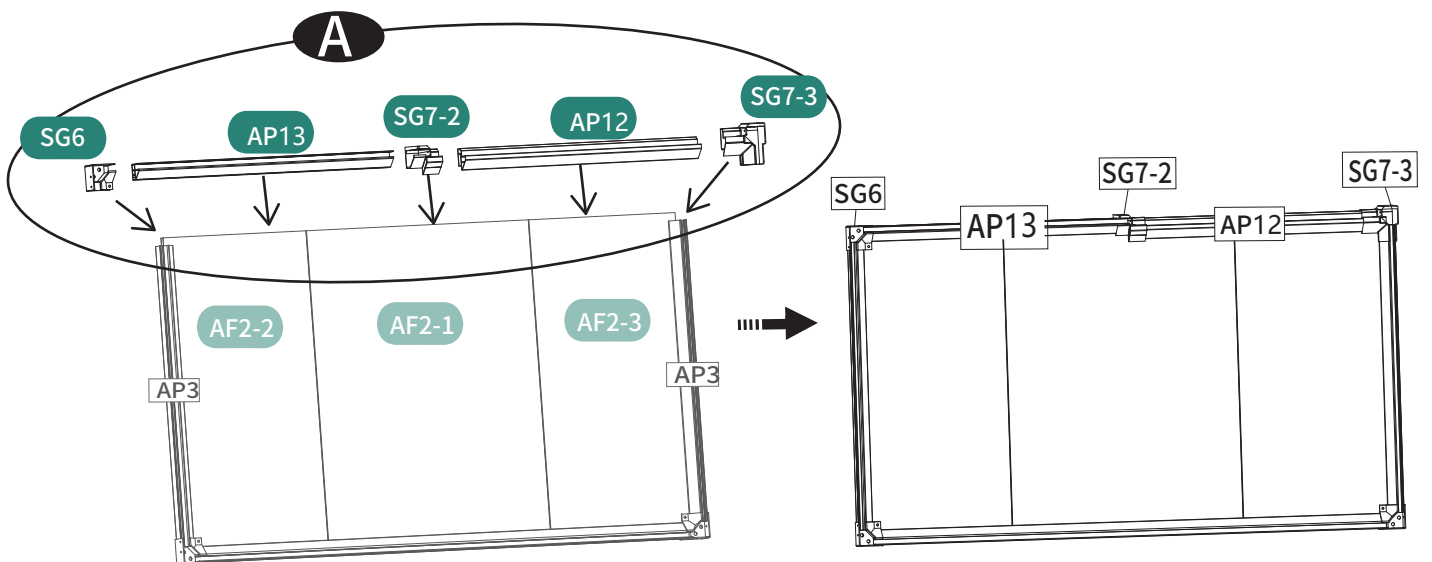
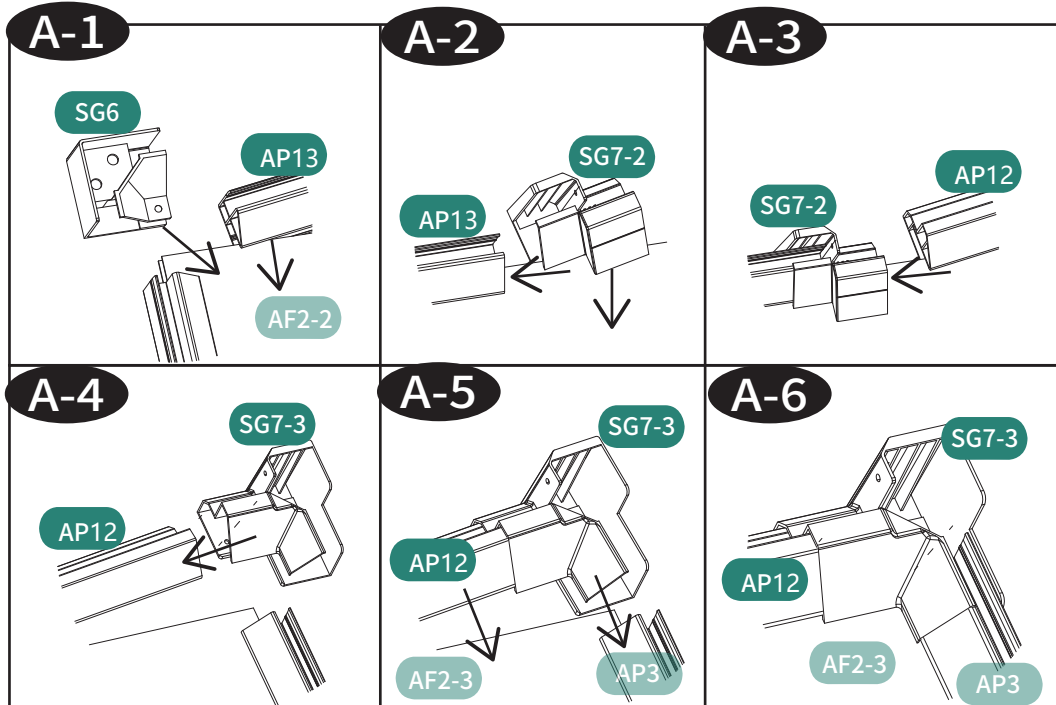
SG6 1pc



SG7-3 1pc



SG7-2 1pc

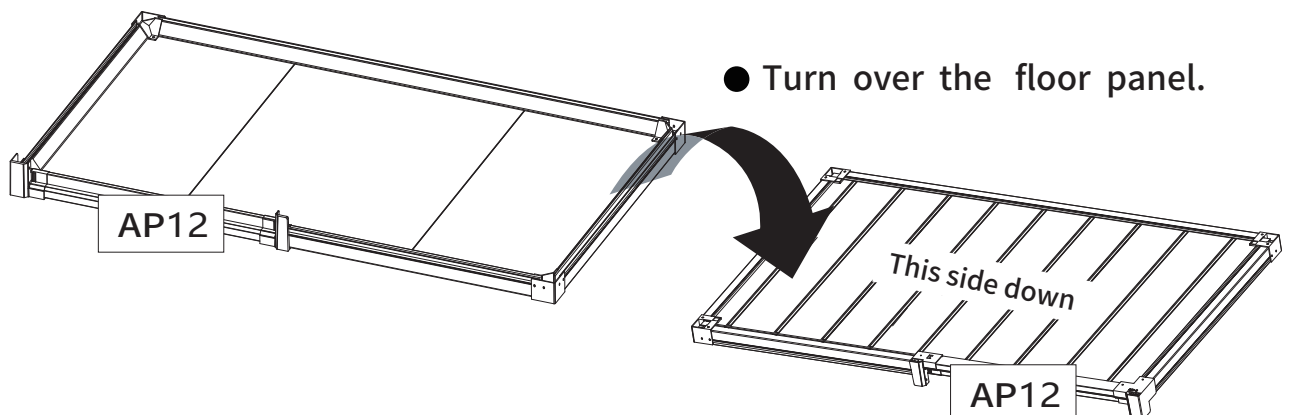
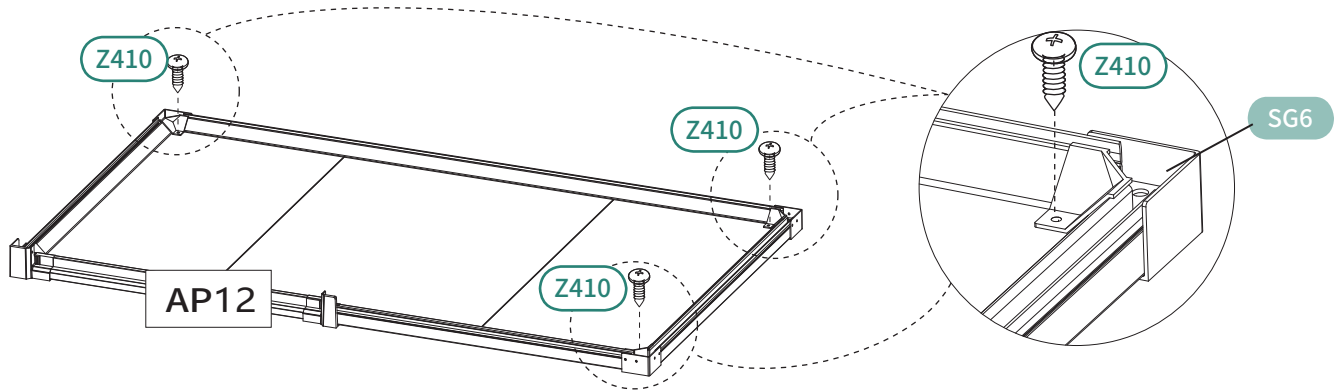
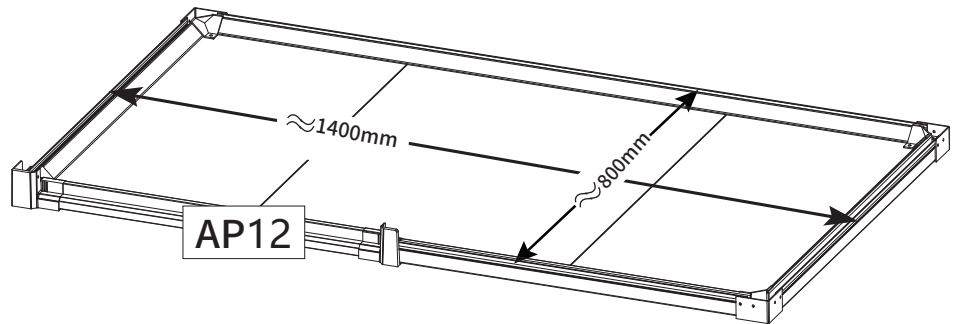
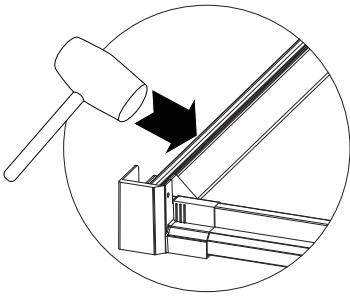


# 4

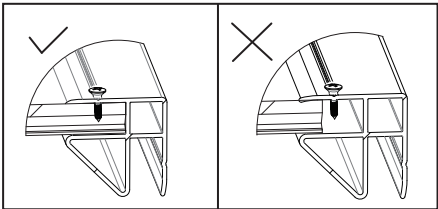
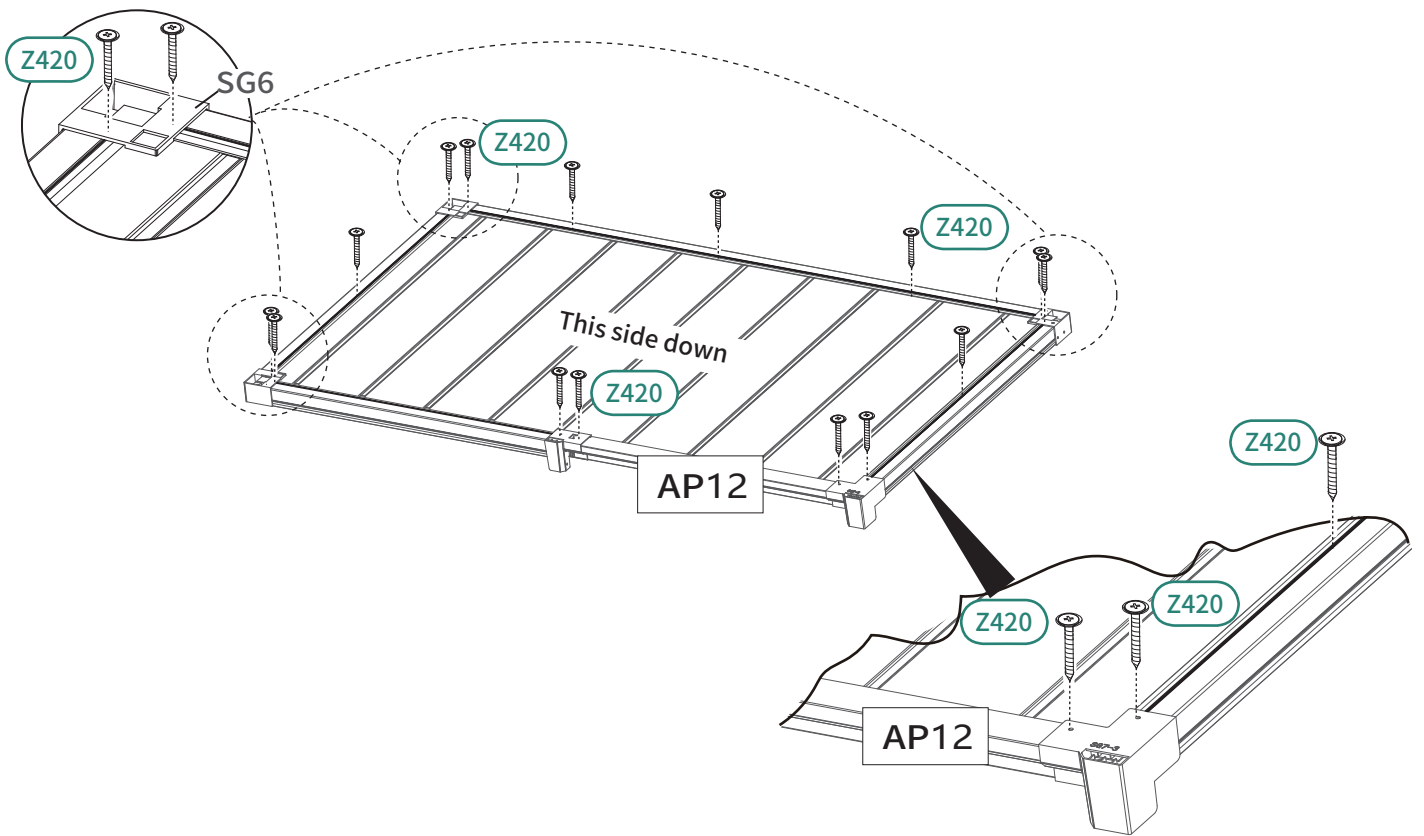
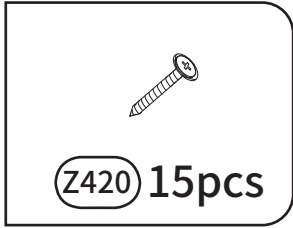


Z410 3pcs

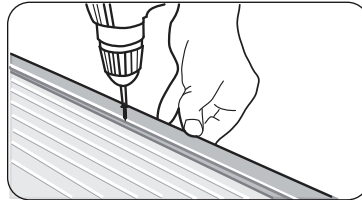
Before locking the screw, lightly tap it with a hammer to make it tight.



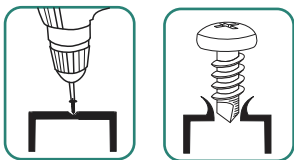
# 5




● Fully fit the panel inside the profile; then screw on mark line.

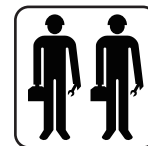


● Nail along the marked line on profile

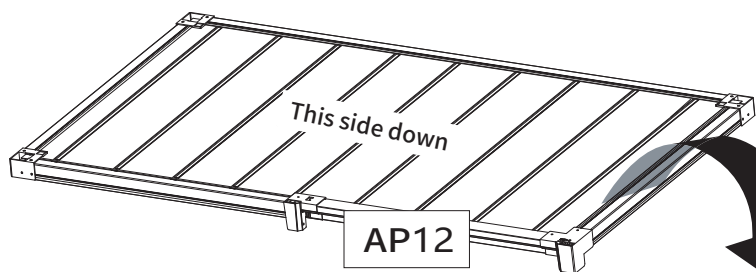
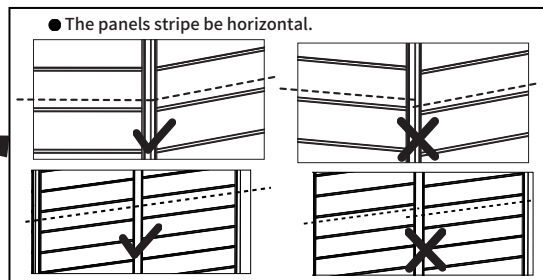
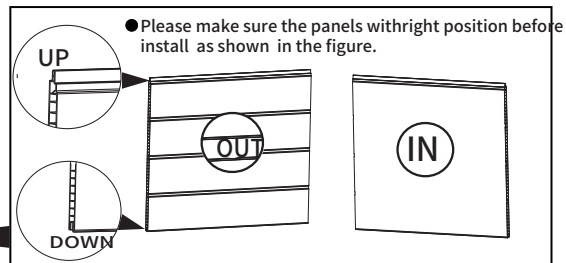
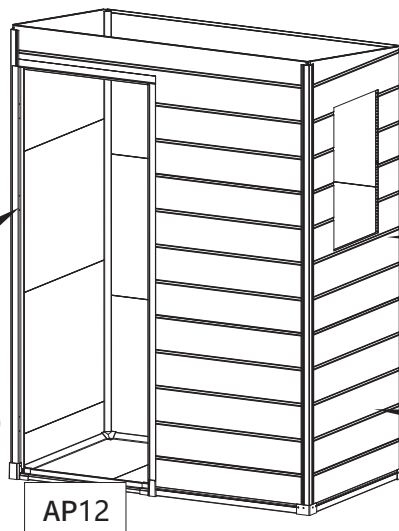


Please use Drill  to predrill a hole at depth 1mm before screw.

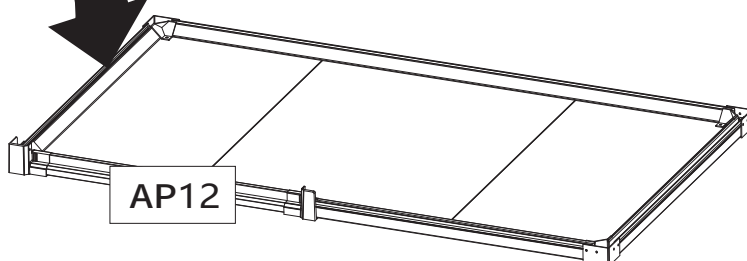
# Wall Assembly



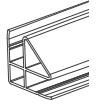
- Use spatula (part "SG8") for easier insertion of panel into profile.



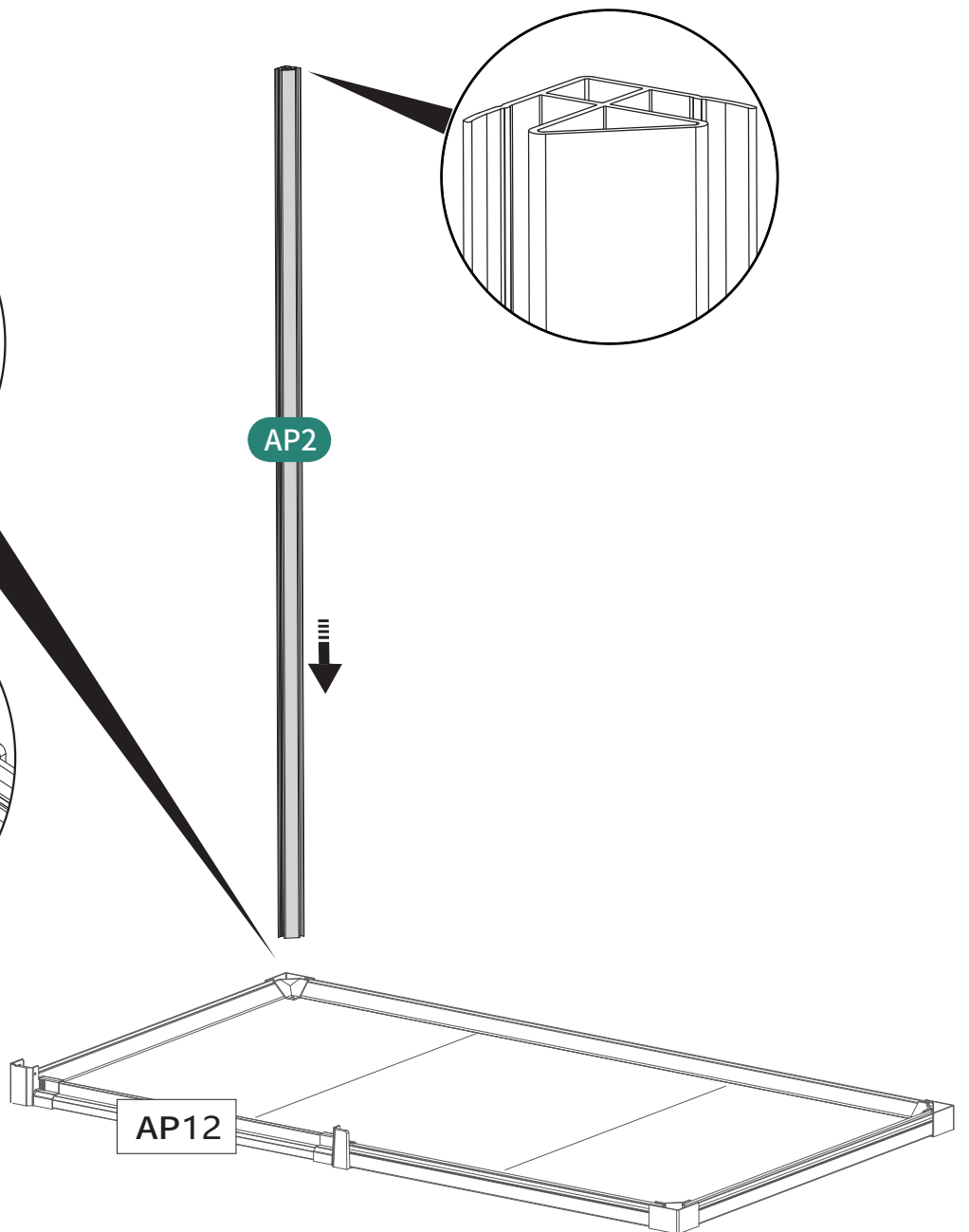
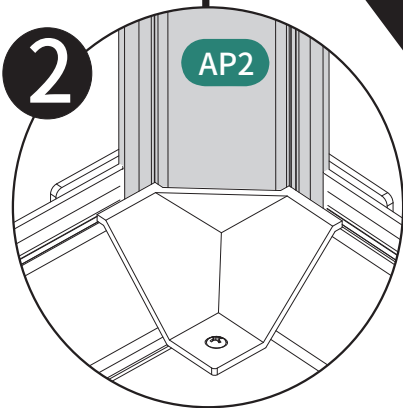
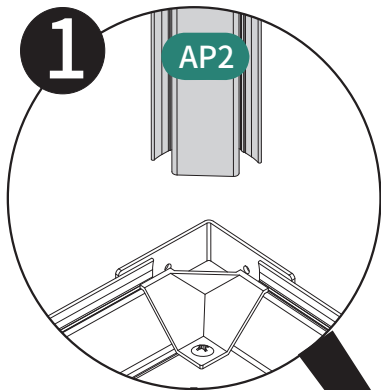
- Turn over the floor panel.



**6**



AP2 1pc



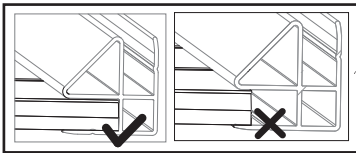
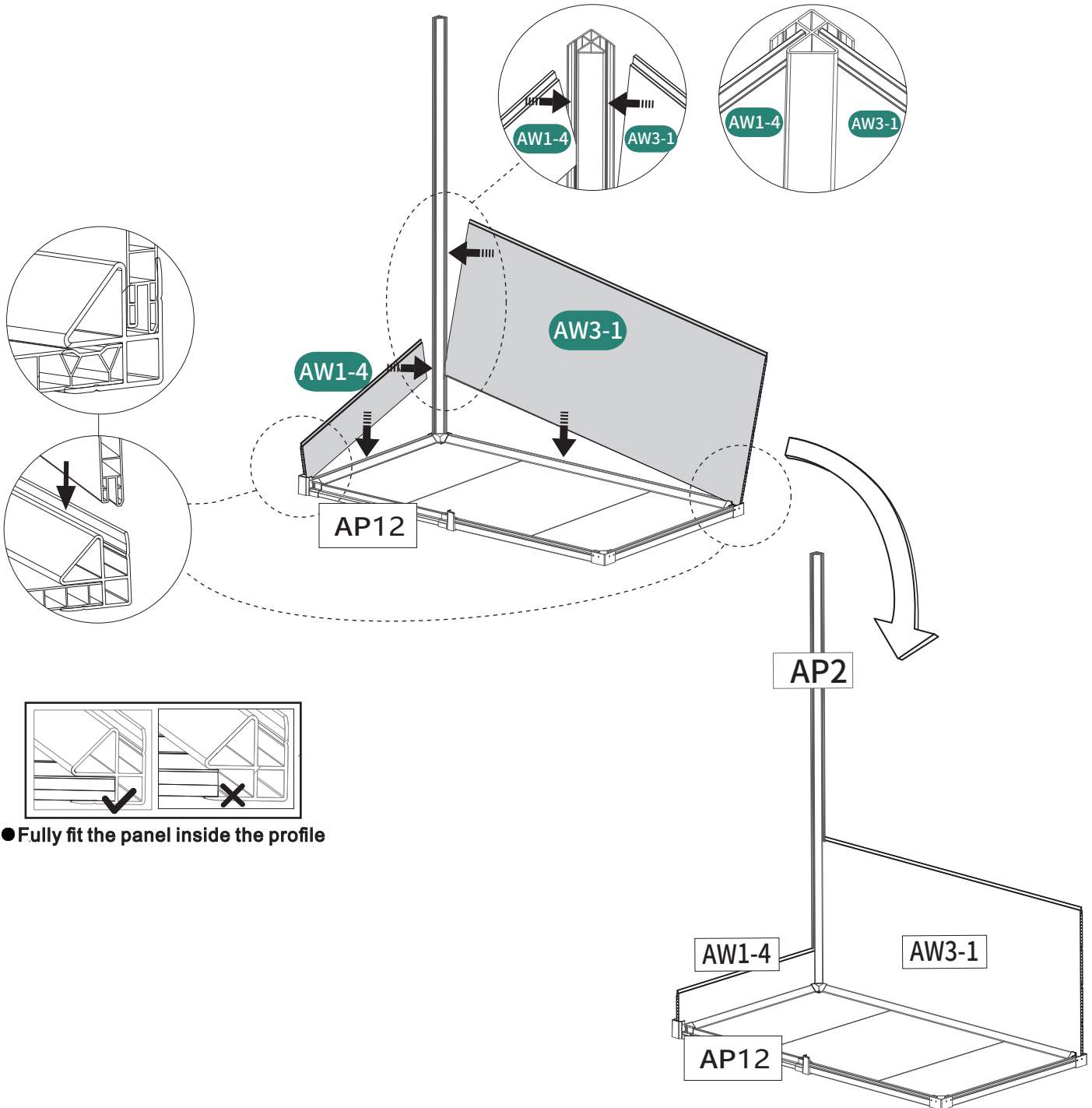
# 7



AW3-1 1pc



AW1-4 1pc



● Fully fit the panel inside the profile

# 8



AW1L 1pc

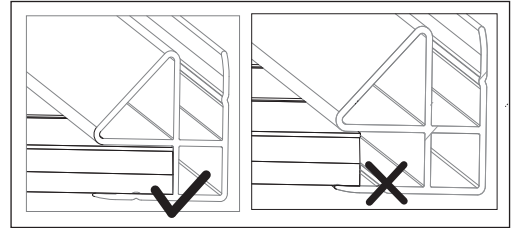
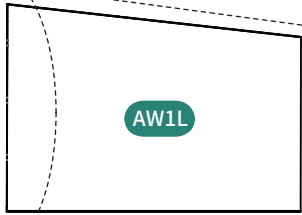


AW1-1 2pcs



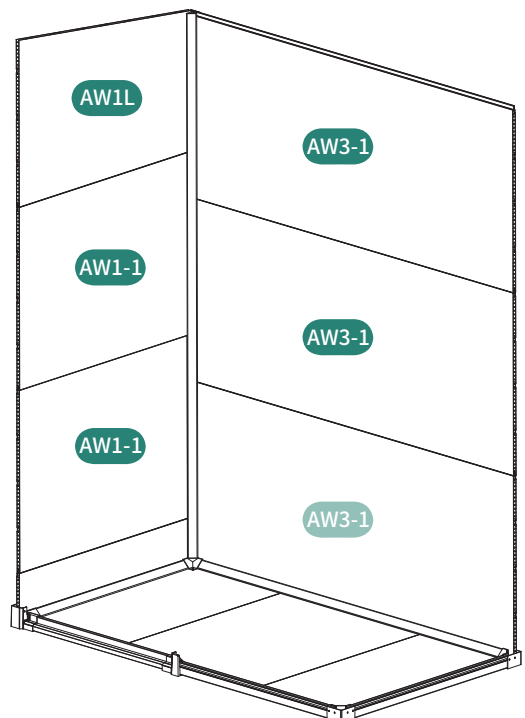
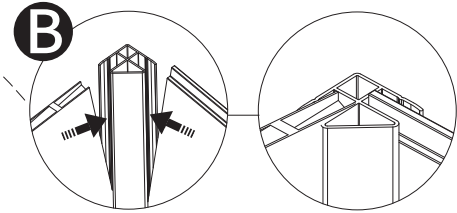
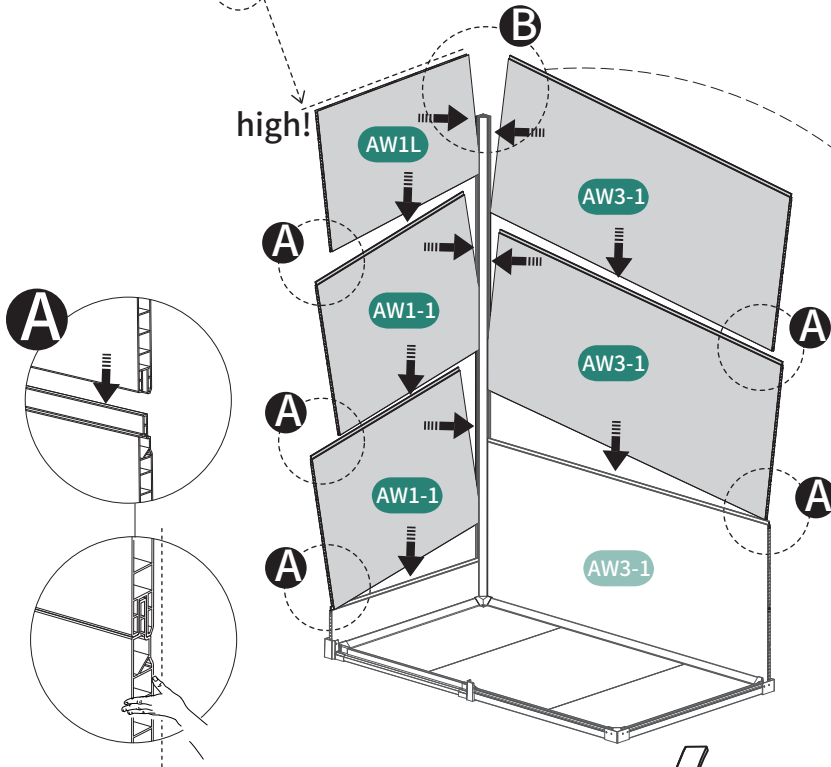
AW3-1 2pcs

high!

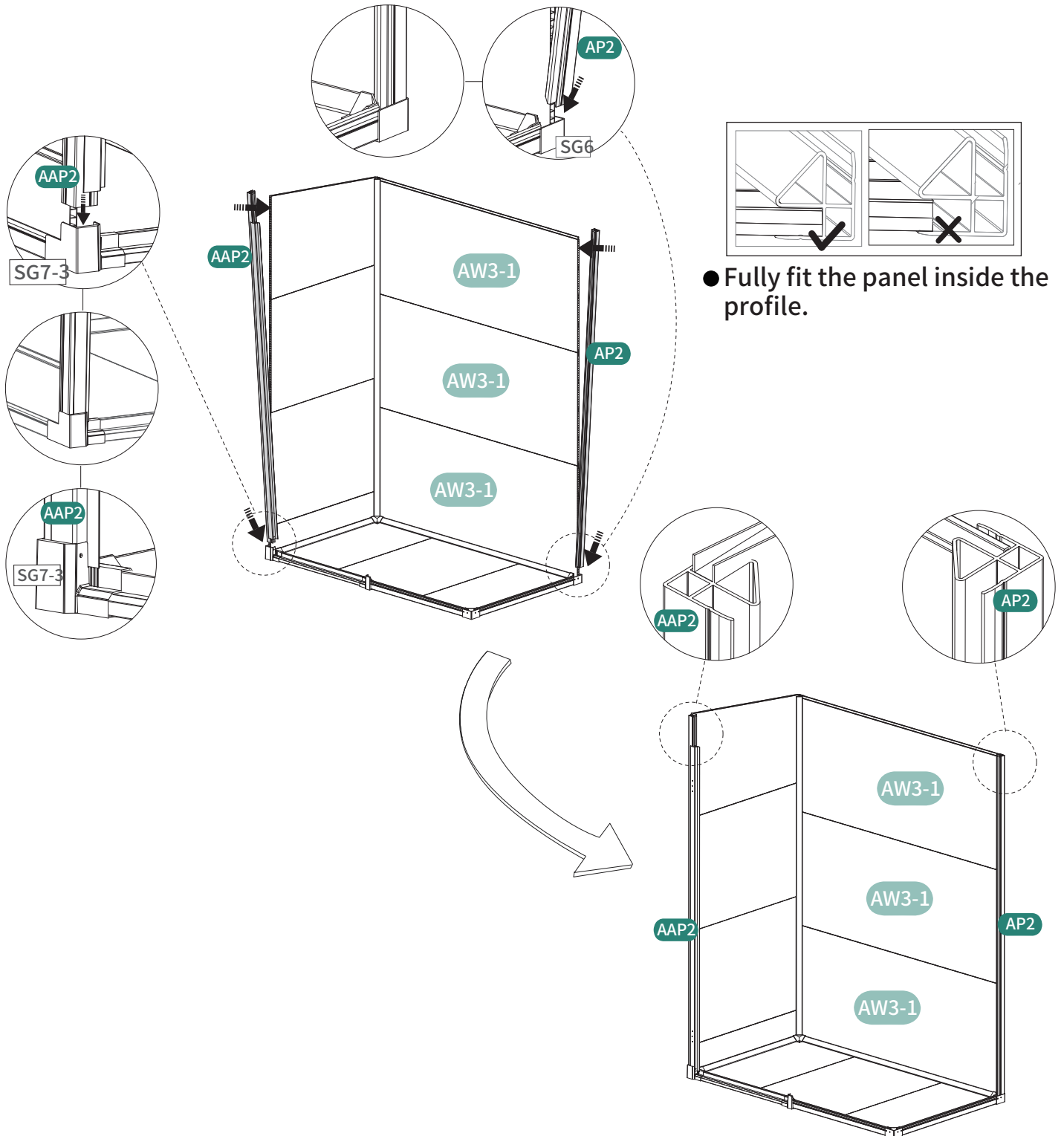
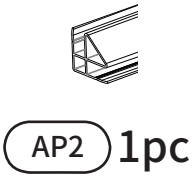
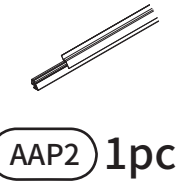


● Fully fit the panel inside the profile.

high!



# 9



# 10



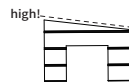
AW1-1 1pc



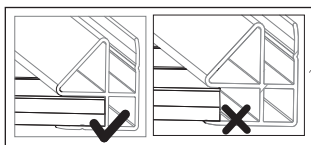
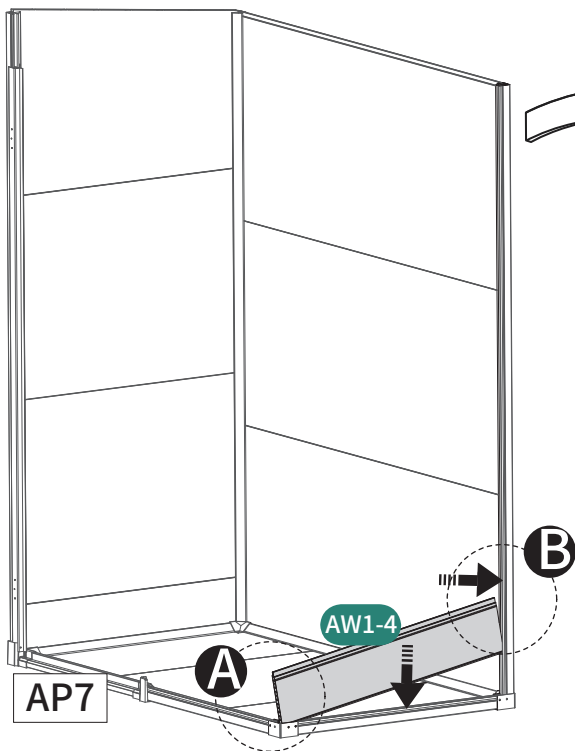
AW1-4 1pc



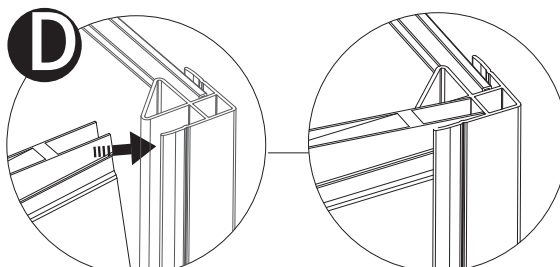
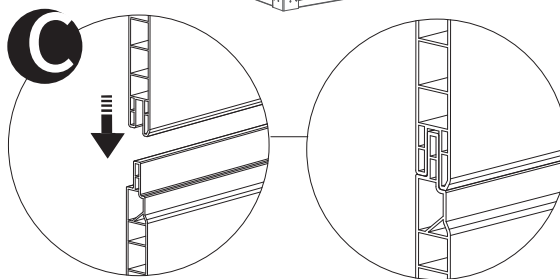
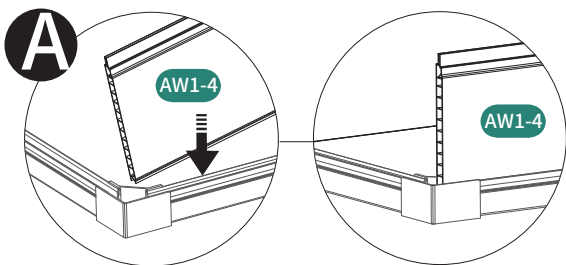
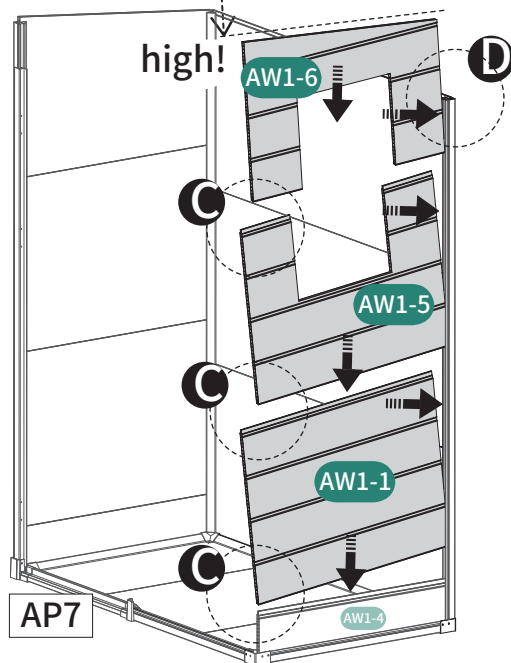
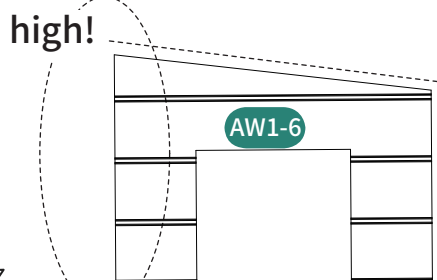
AW1-5 1pc



AW1-6 1pc



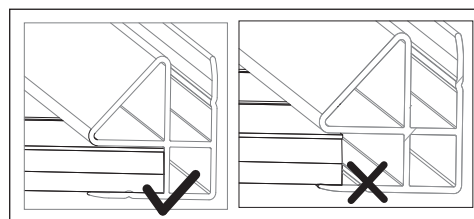
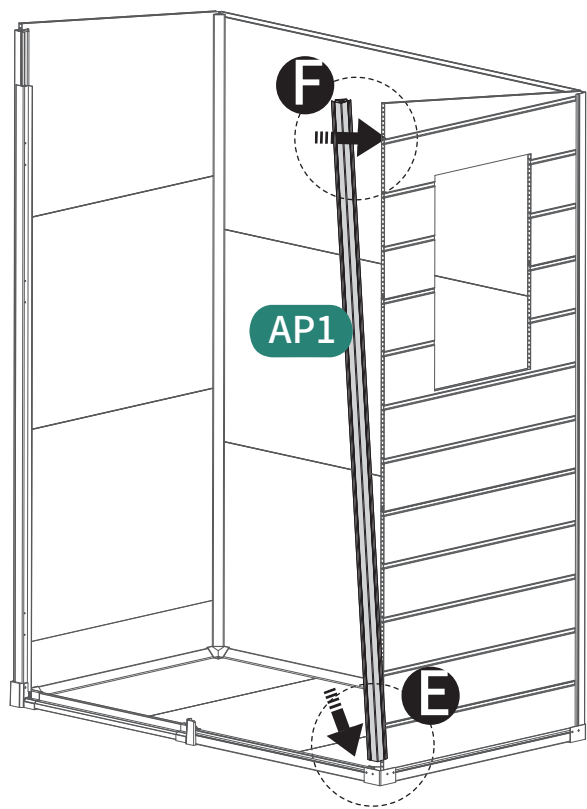
● Fully fit the panel inside the profile.



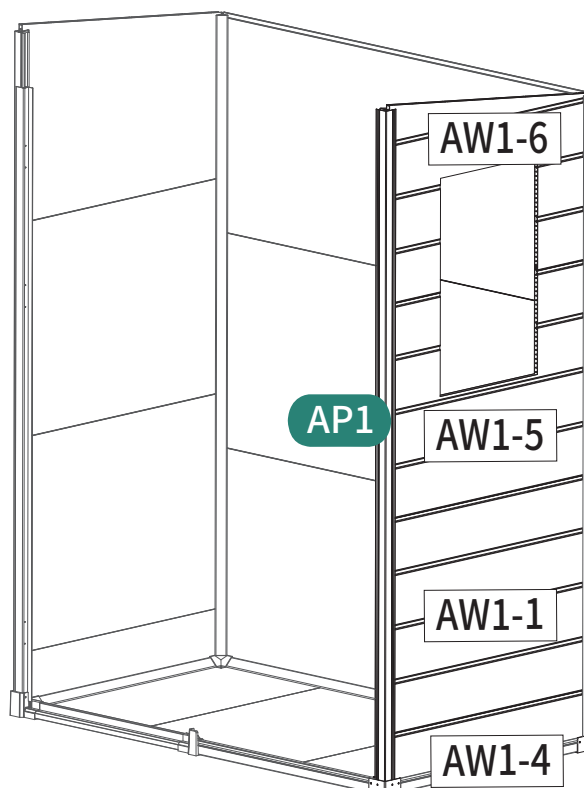
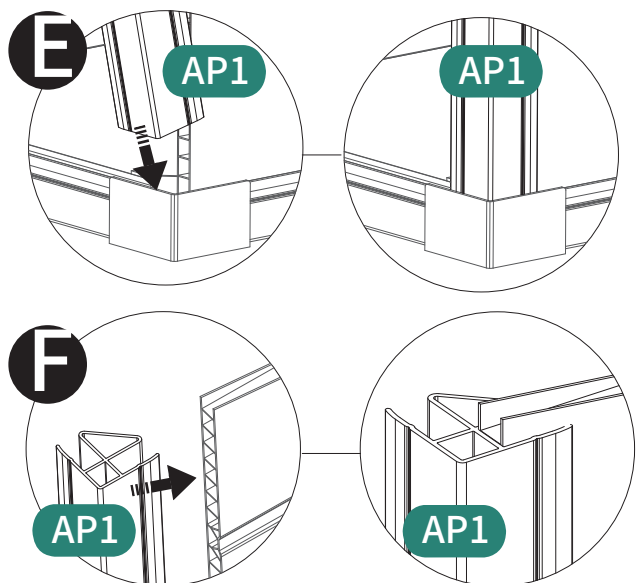
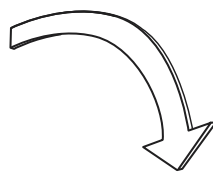
# 11



AP1 1pc

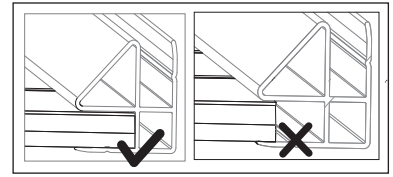
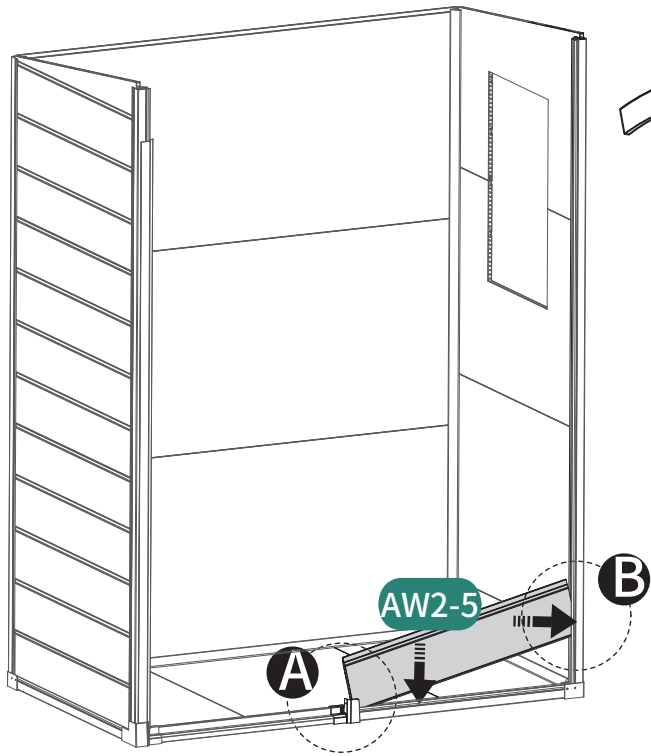


- Fully fit the panel inside the profile.

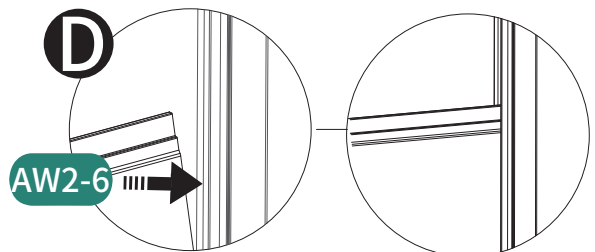
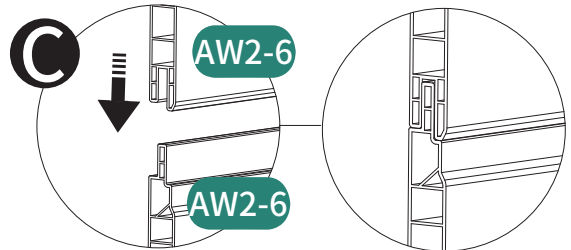
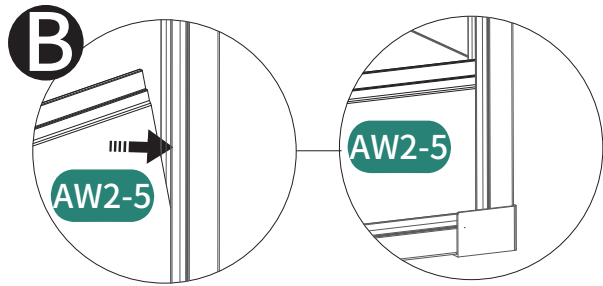
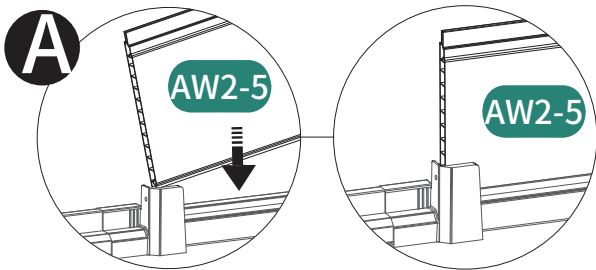
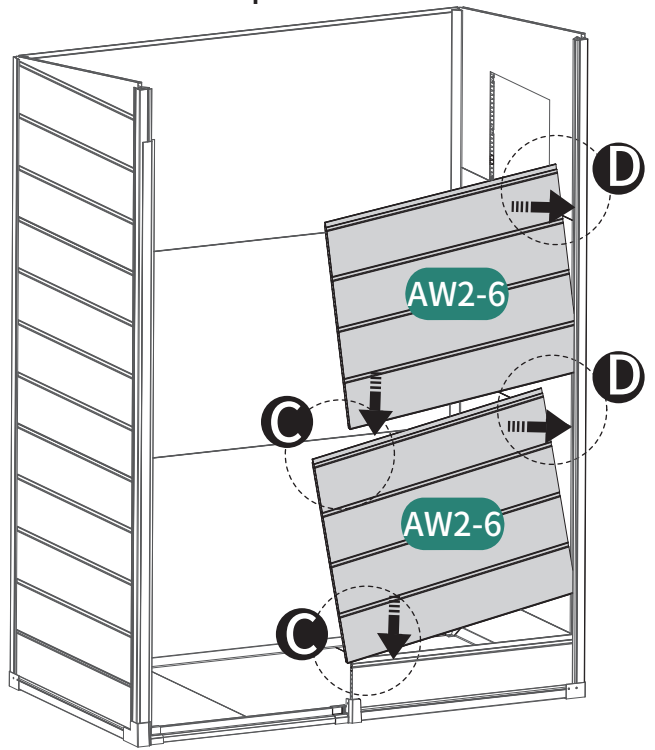


# 12

AW2-5 1pc      AW2-6 2pcs



● Fully fit the panel inside the profile.



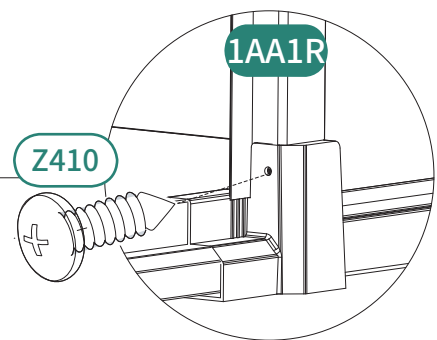
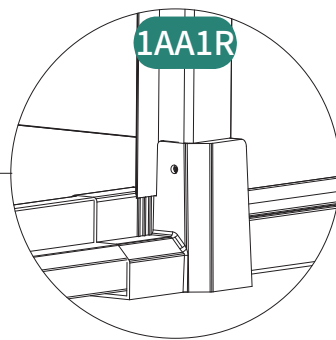
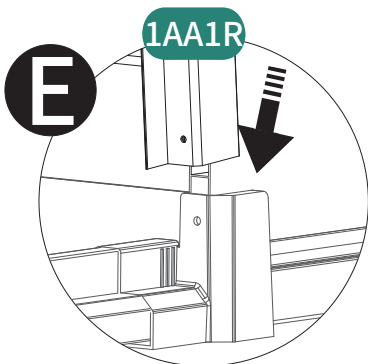
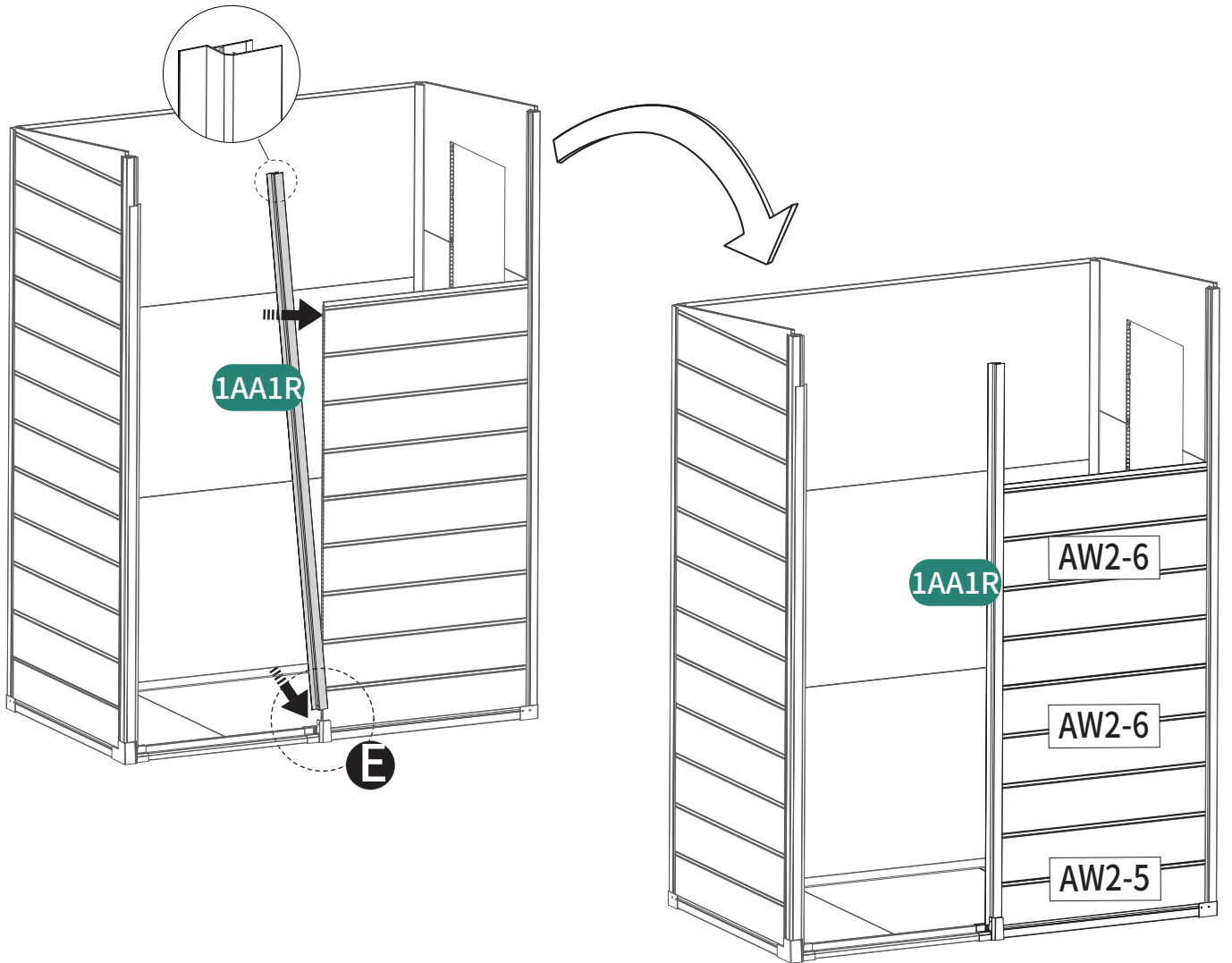
# 13



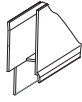
1AA1R 1pc



Z410 1pc



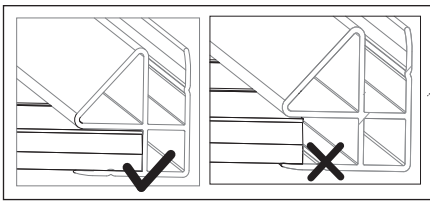
# 14



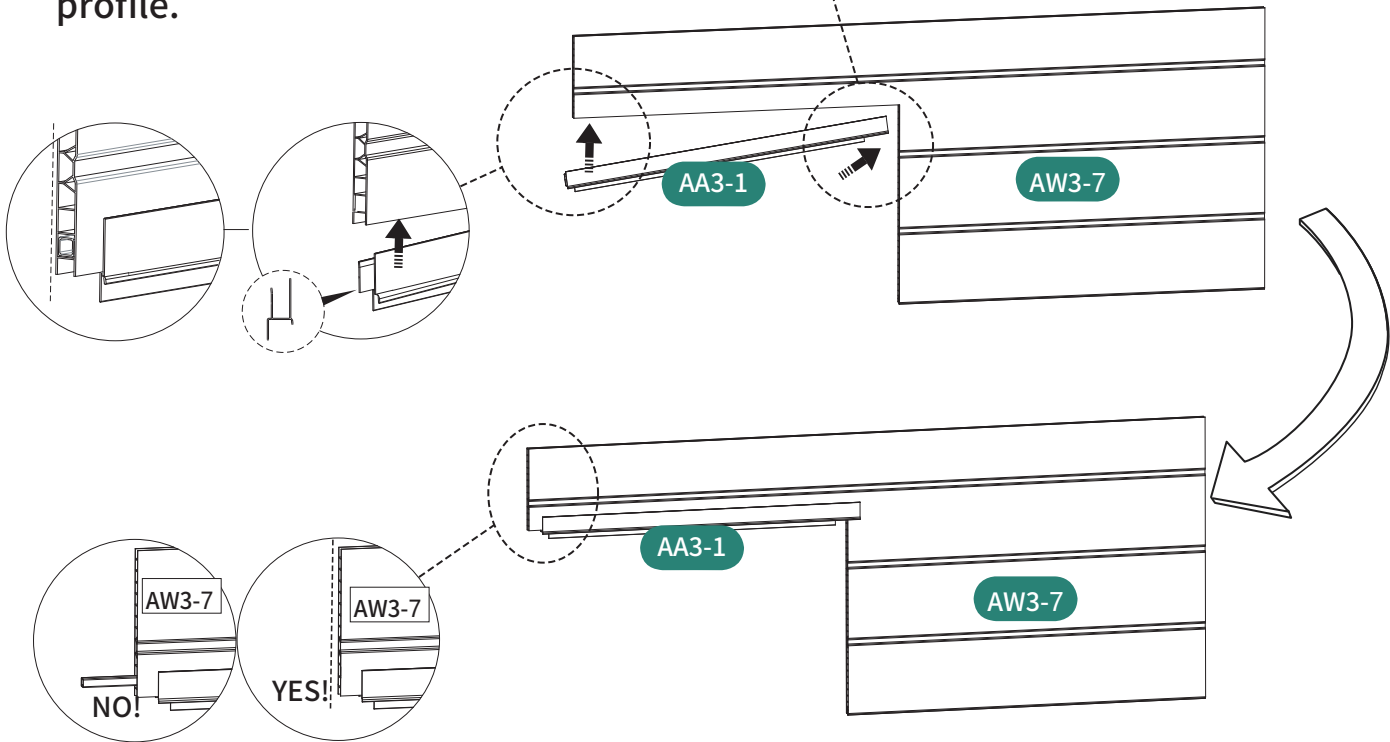
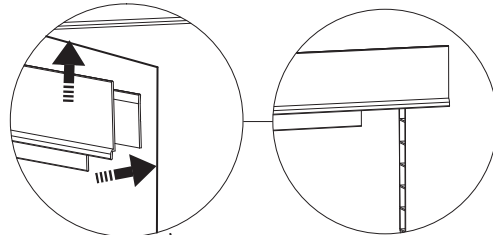
AA3-1 1pc



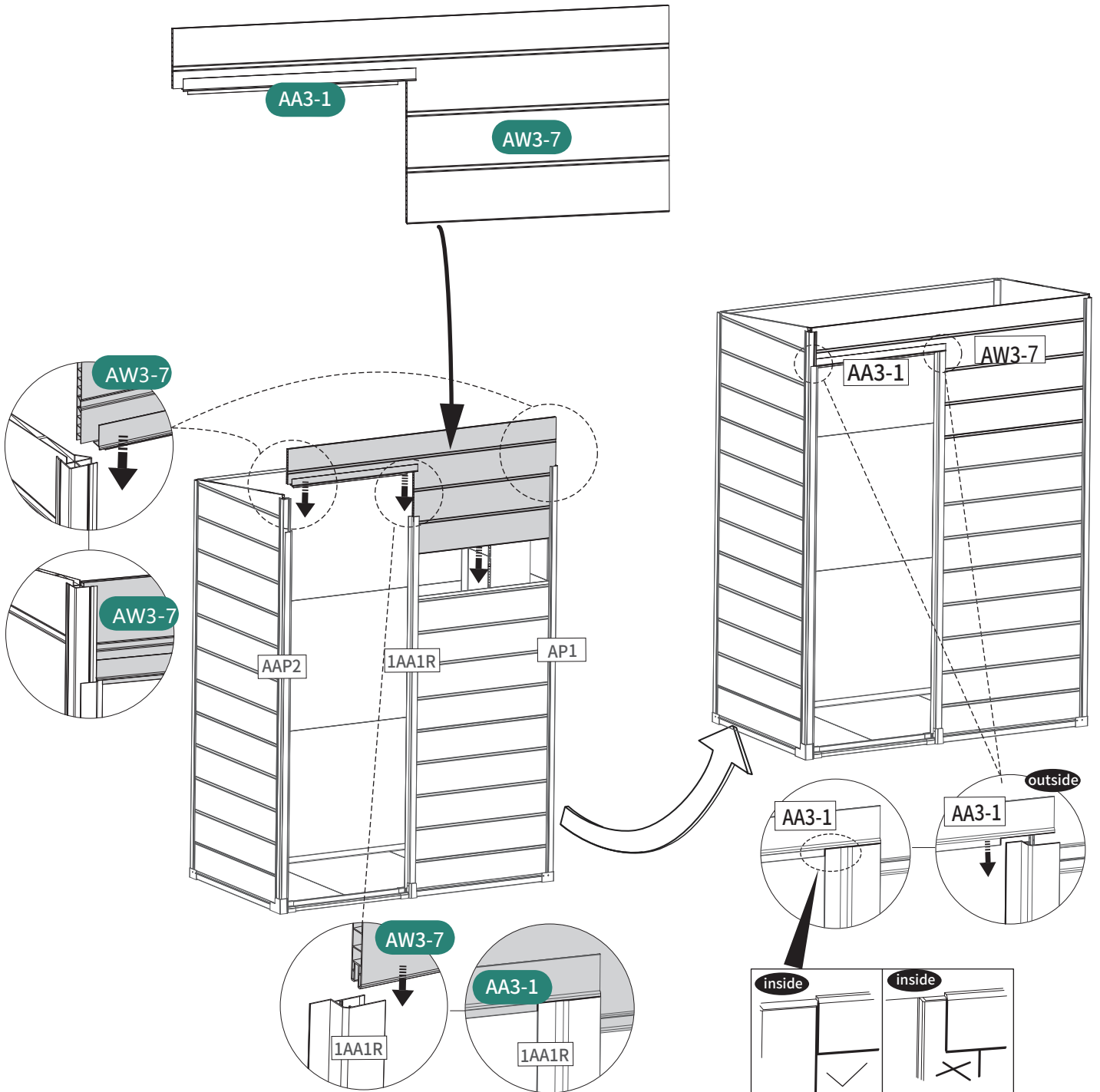
AW3-7 1pc



● Fully fit the panel inside the profile.

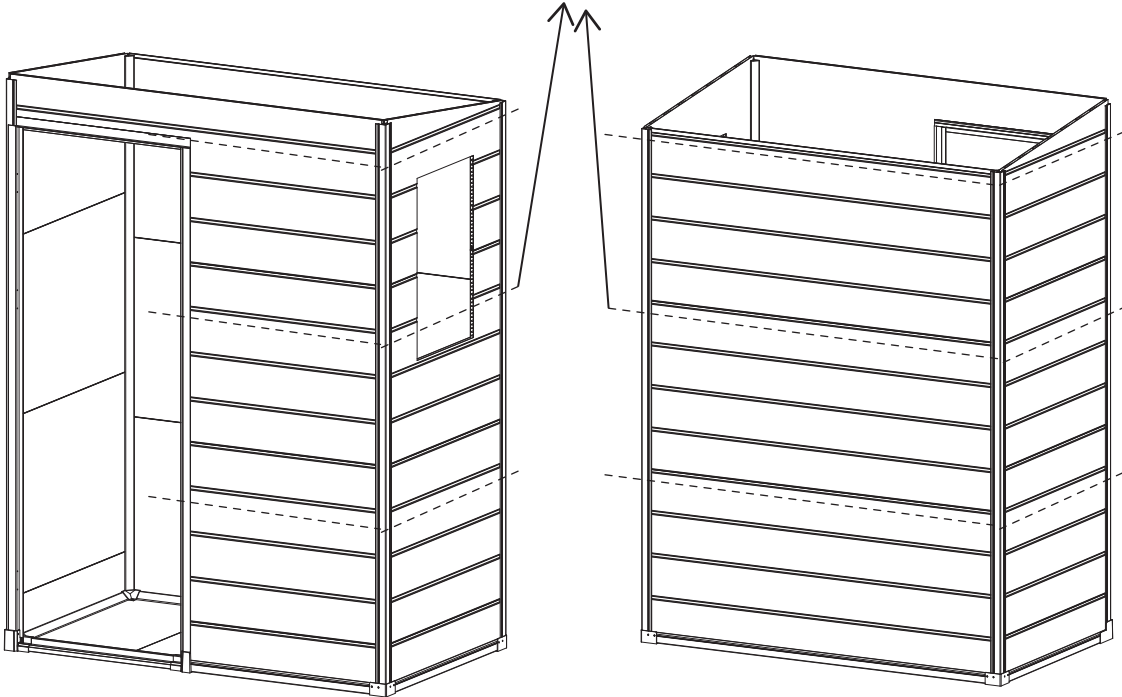


# 15

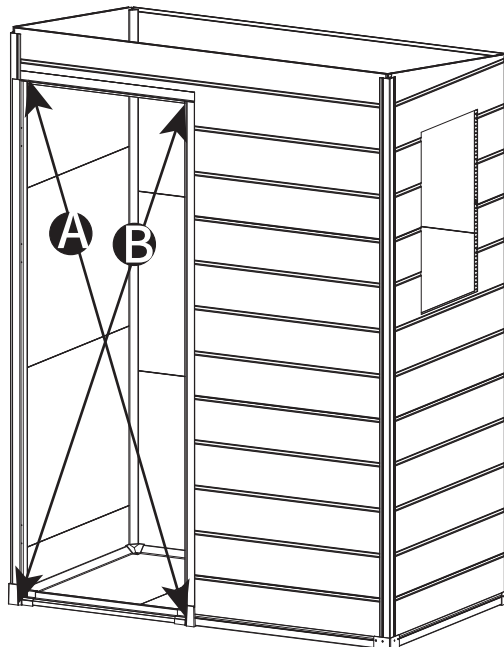


# 16

Determine seam alignment.



**A=B**



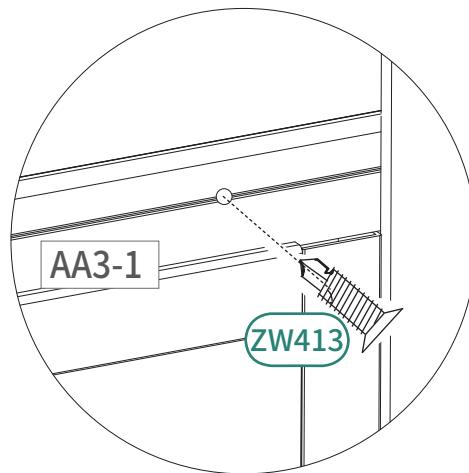
# 17



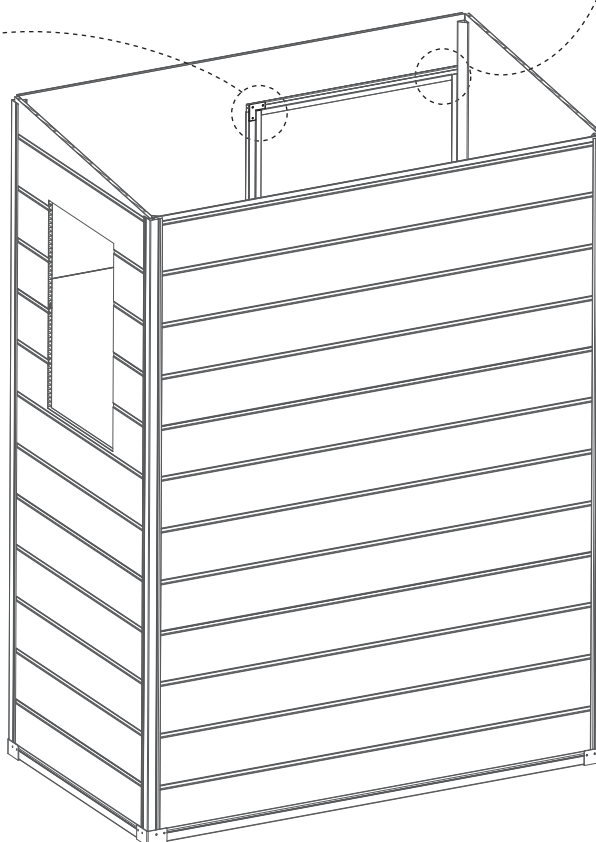
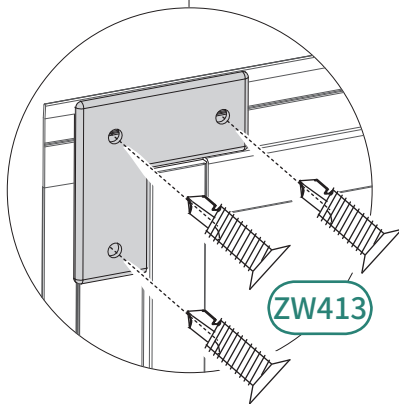
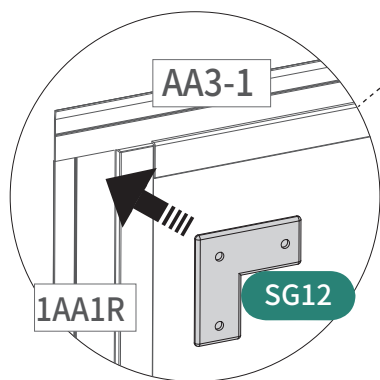
SG12 1pcs



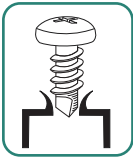
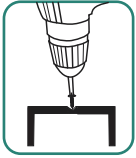
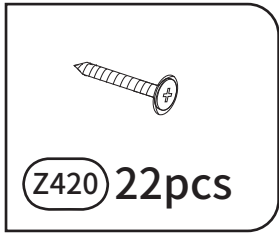
ZW413 4pcs



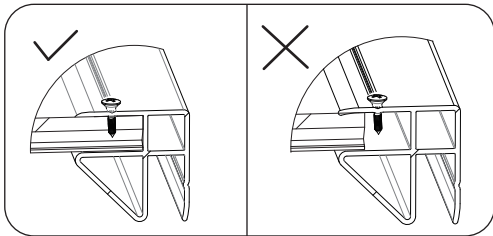
● fixation after aligning!



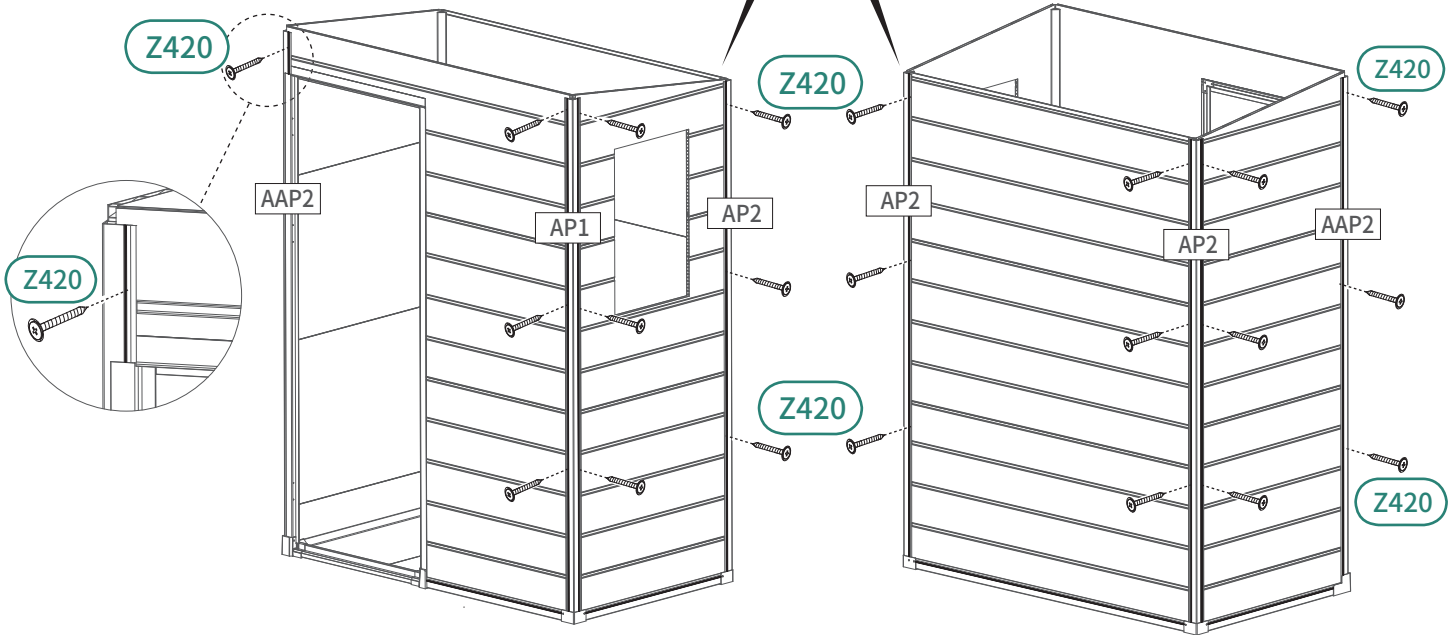
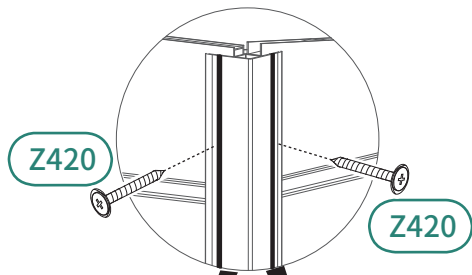
# 18



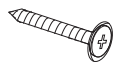
Please use Drill to predrill a hole at depth 1mm before screw.



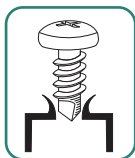
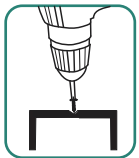
Fully fit the panel inside the profile  
Screw along the marked lines in profiles




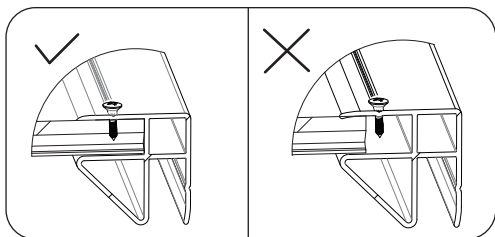
# 19



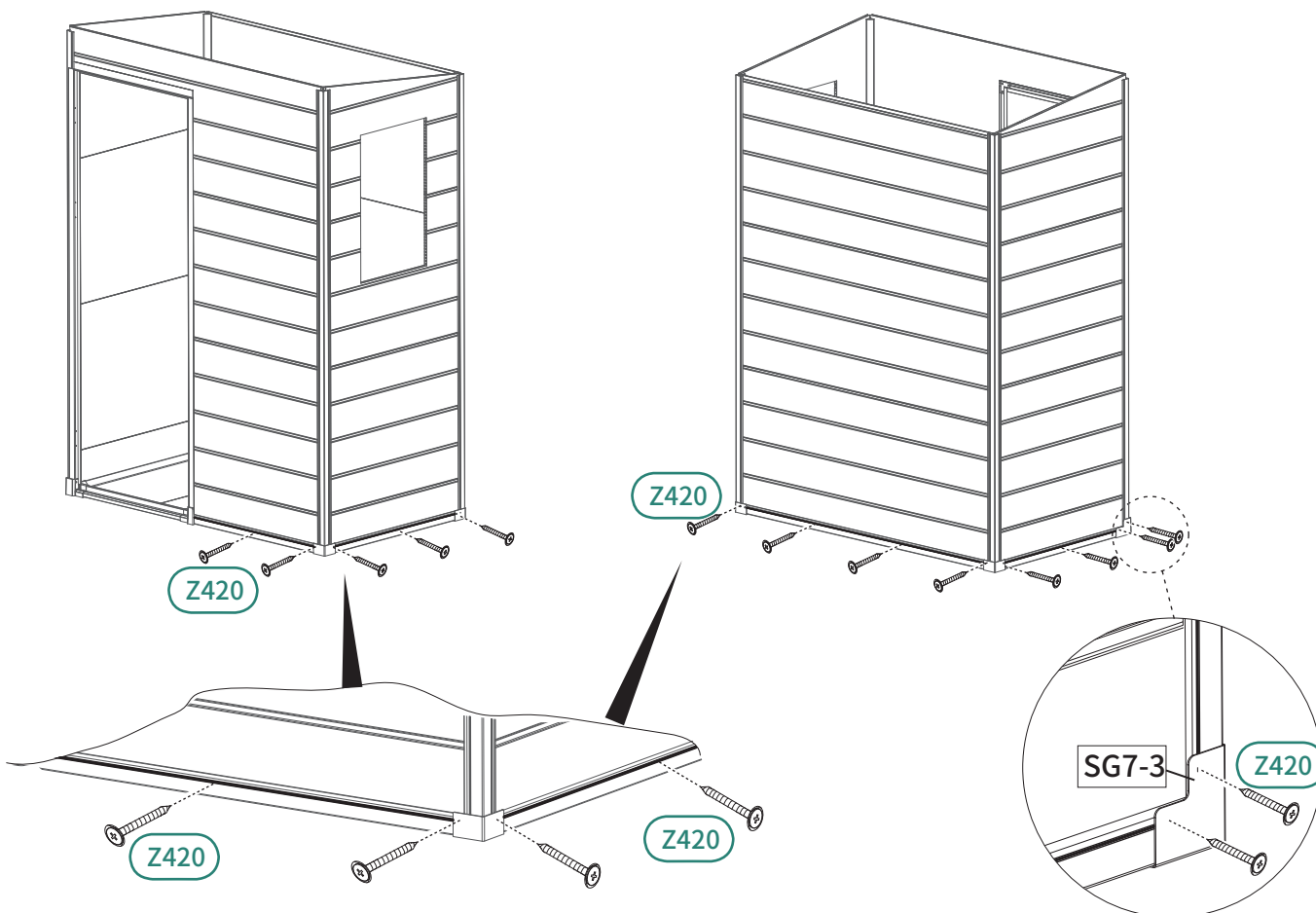
Z420 13pcs



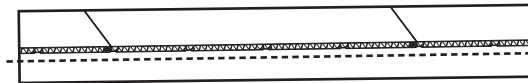
Please use Drill  to predrill a hole at depth 1mm before screw.



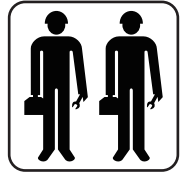
Fully fit the panel inside the profile  
Screw along the marked lines in profiles



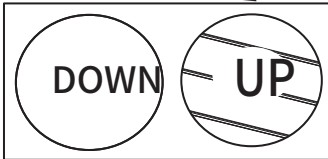
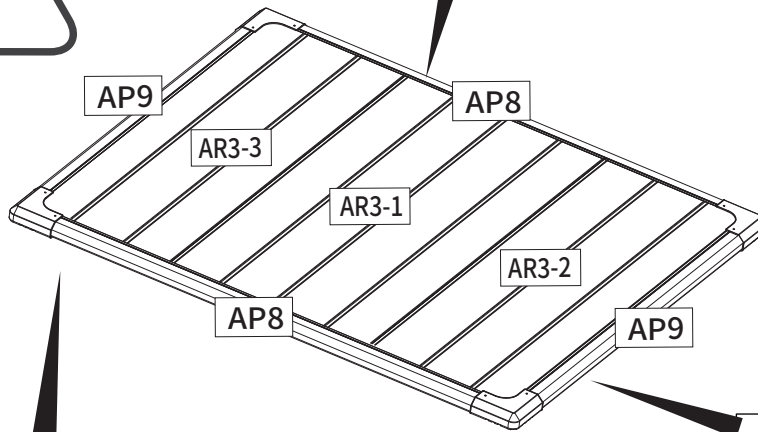
# Roof Assembly



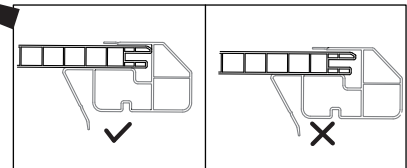
● The floor panels must be straight.



**SG8**

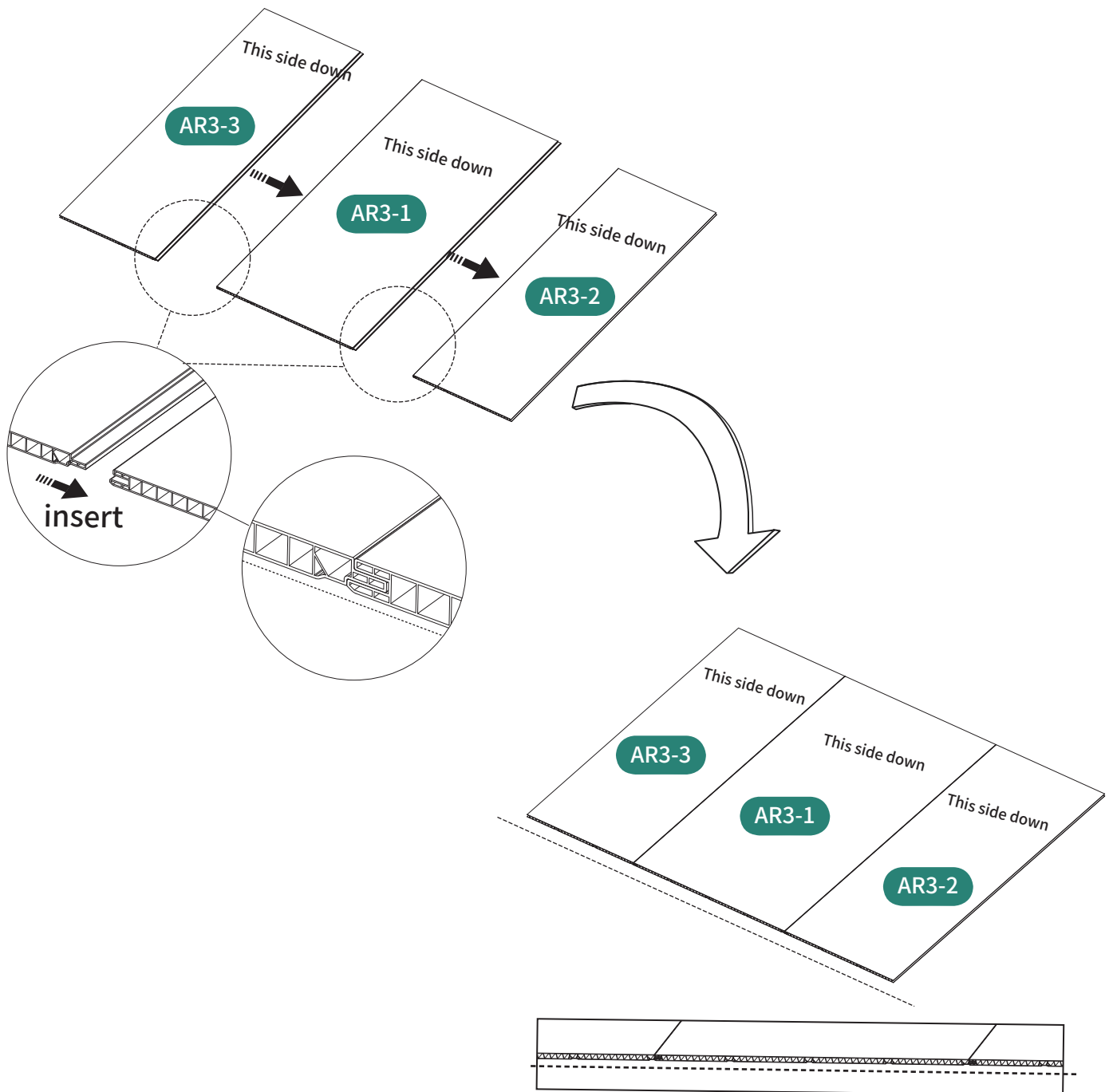
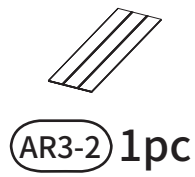
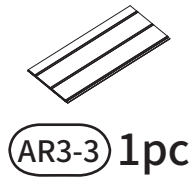
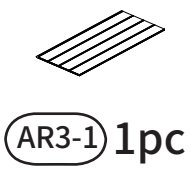


● The stripes are facing up.



● Fully fit the panel inside the profile.

20



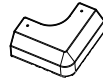
# 21



AP9 2pcs



AP8 2pcs

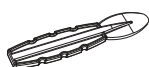
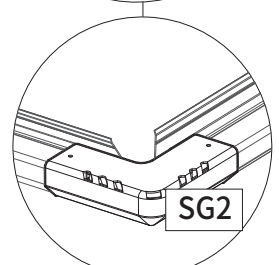
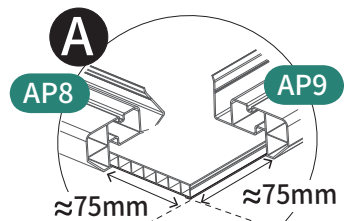
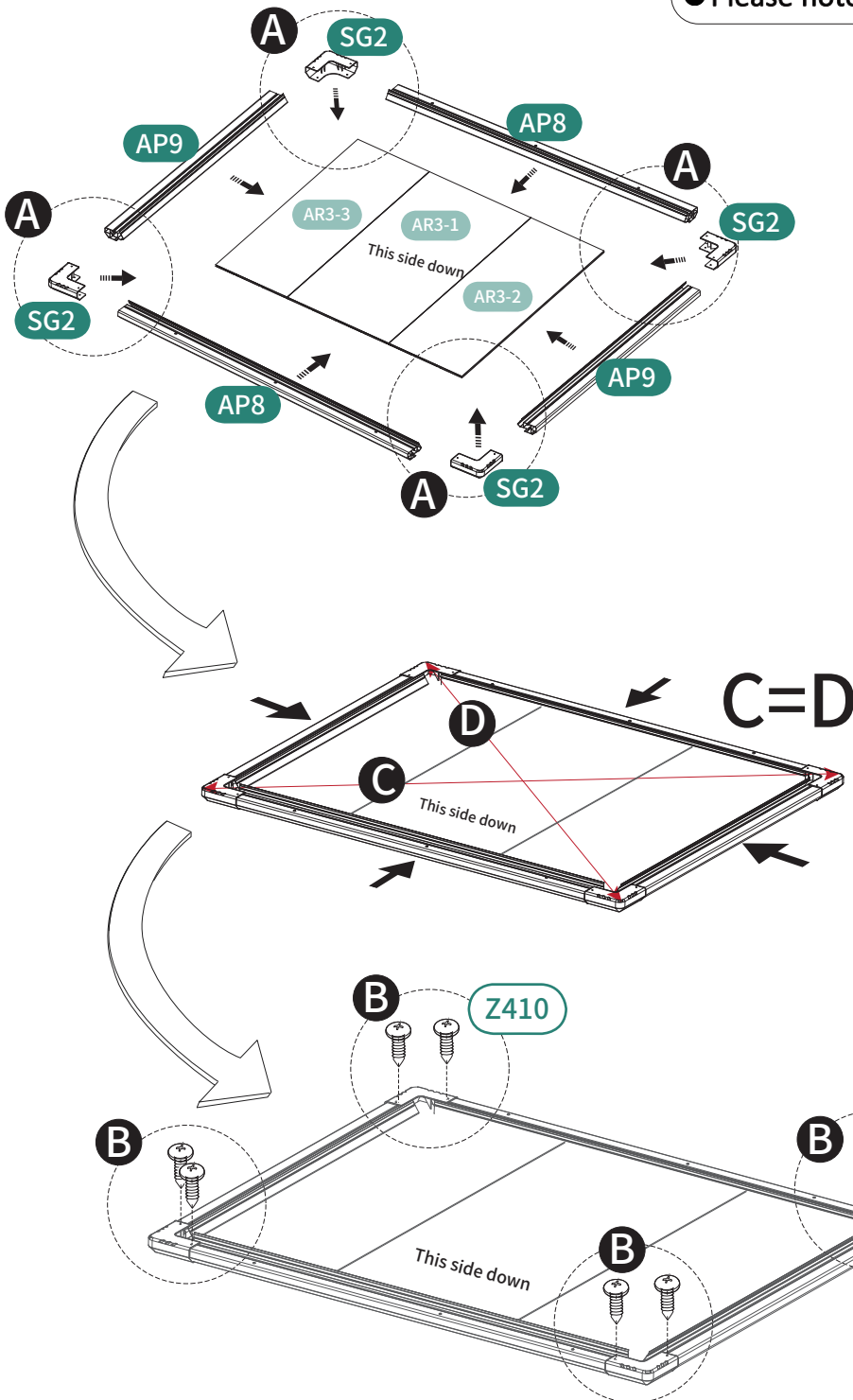


SG2 4pcs

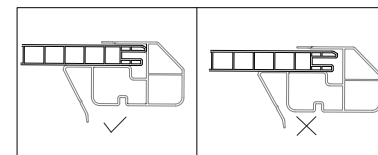


Z410 8pcs

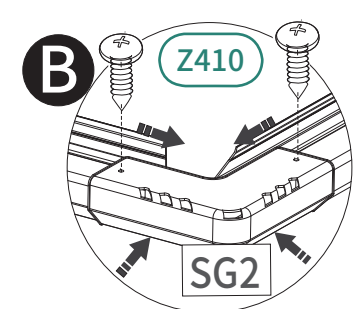
● Please note the measurement dimensions



SG8



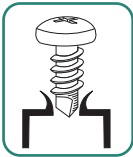
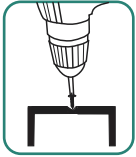
● Fully fit the panel inside the profile.




# 22

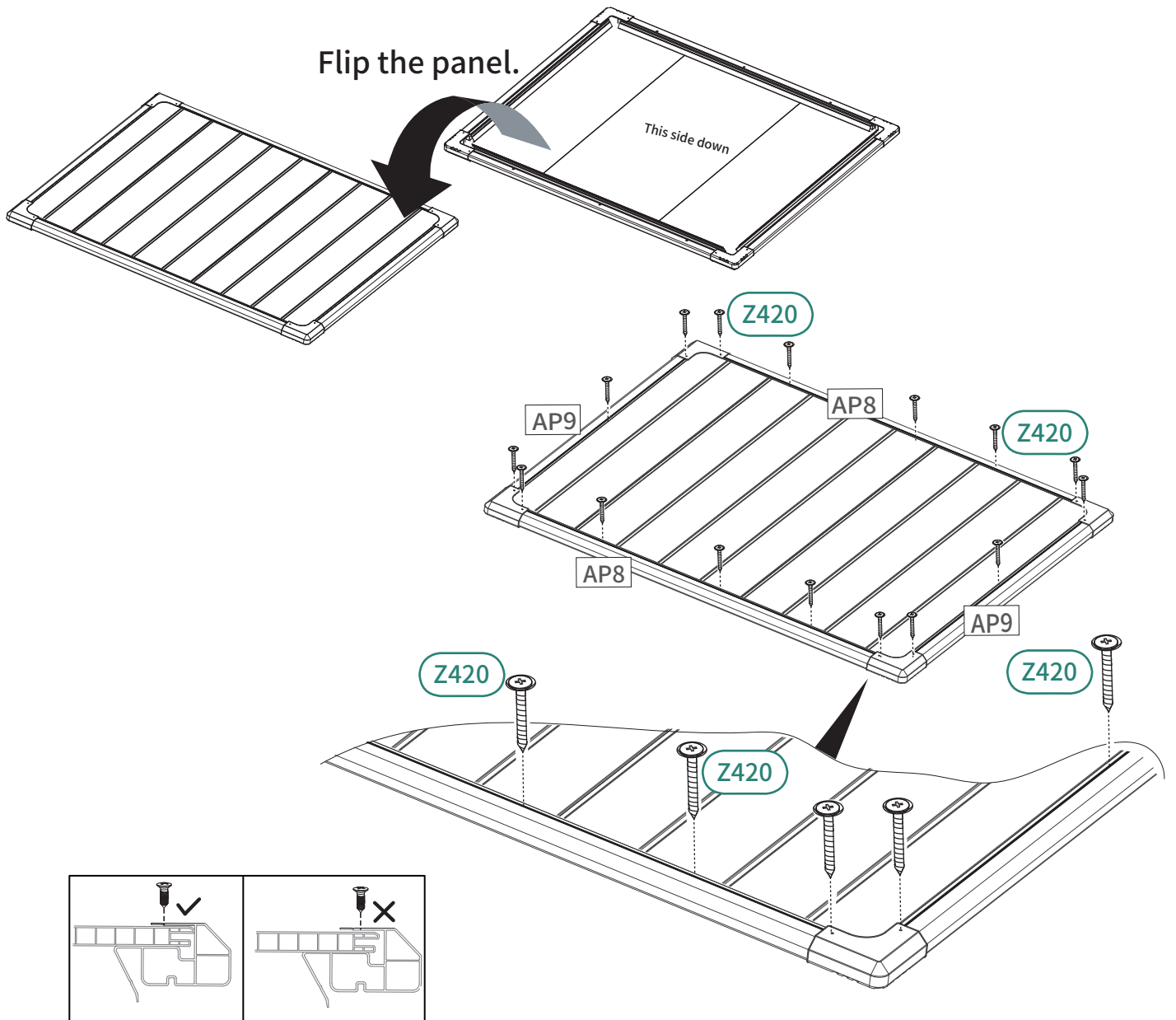


Z420 16pcs



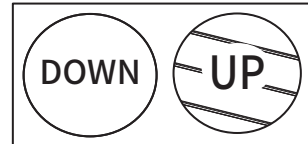
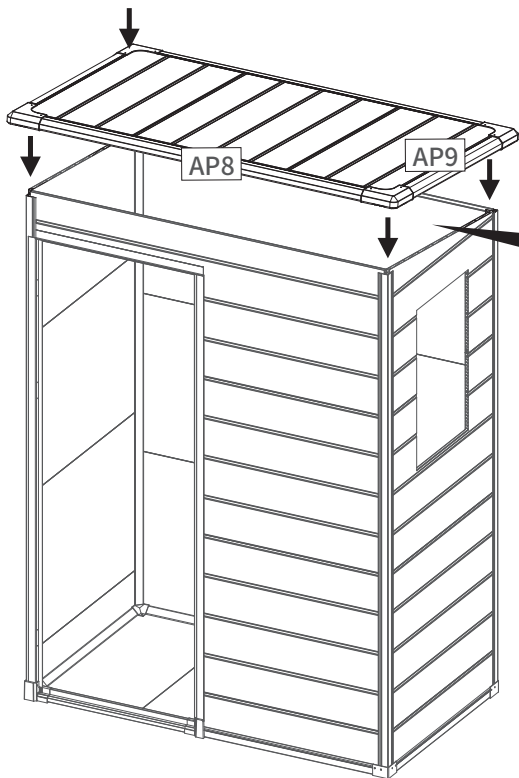
Please use Drill  to predrill a hole at depth 1mm before screw.

Flip the panel.

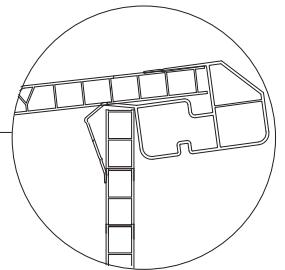
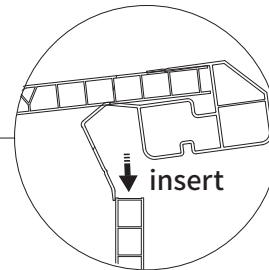
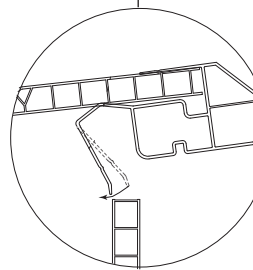
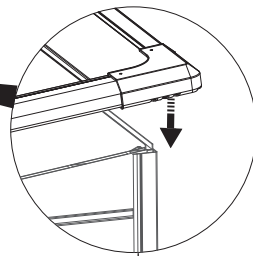


● Nail along the marked line on profile.

# 23

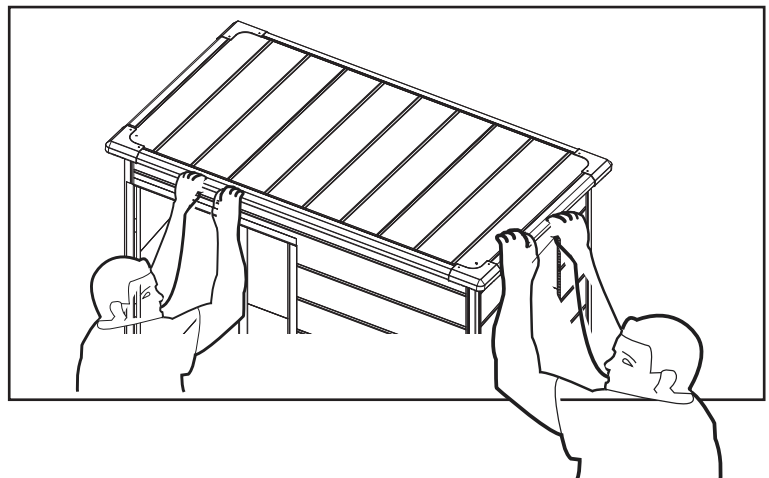
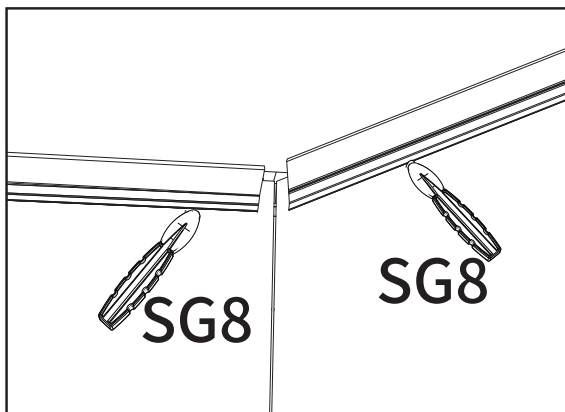


● The stripes are facing up.



Fully fit the panel inside the profile

● Ensure fully fit the panels inside the profiles of the roof, using the spatula according to the following picture.




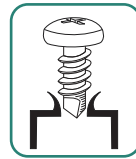
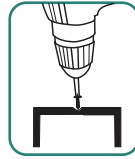
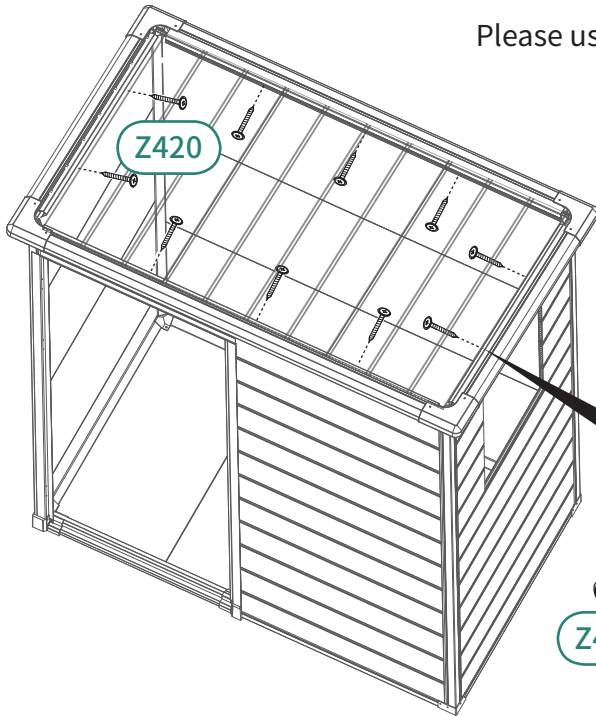
# 24



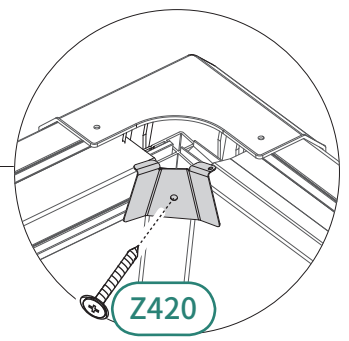
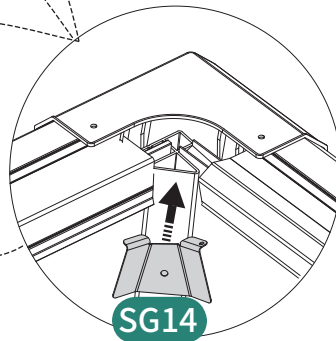
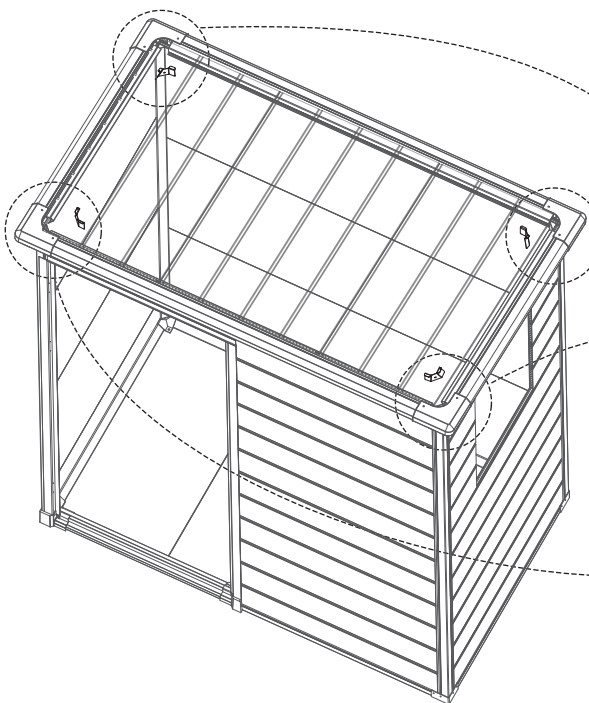
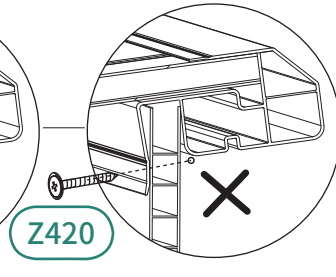
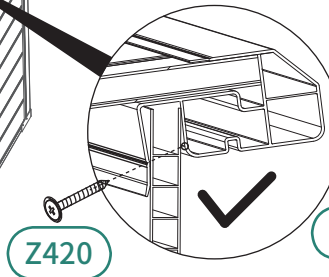
Z420 14pcs

SG14 4pcs

Please use Drill  to predrill a hole at depth 1mm before screw.



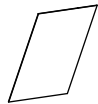
● Please note the nailing direction.



# 25



SG10 1pc



SG101 1pc



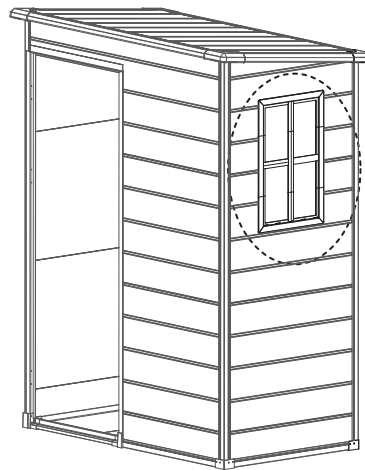
SG102 1pc



Z410 16pcs



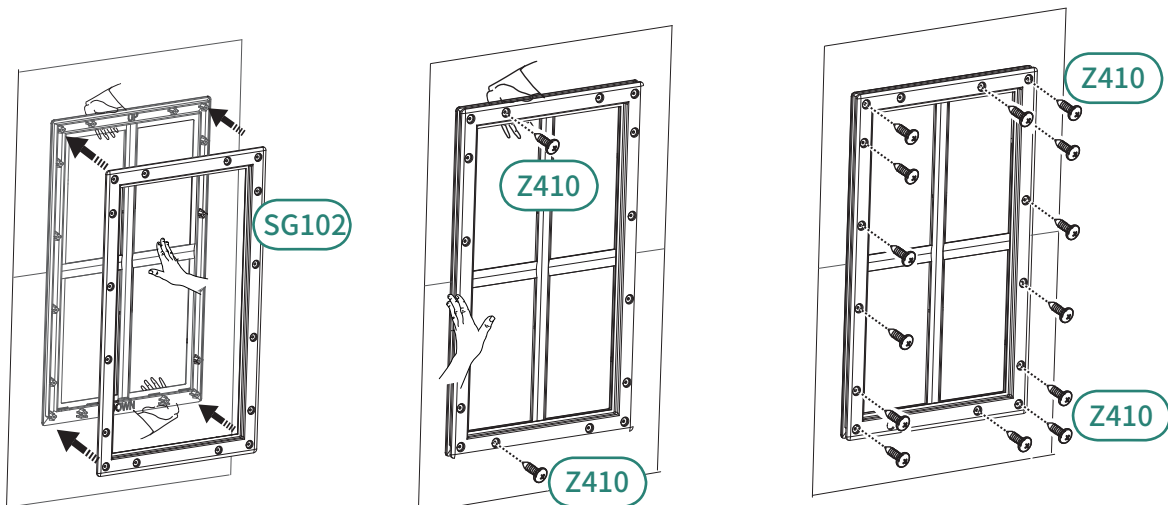
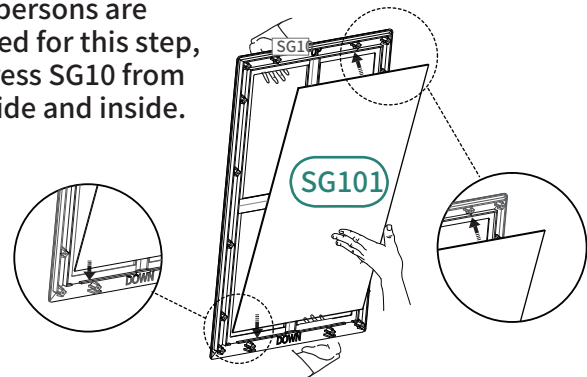
How the Windows look when they are installed



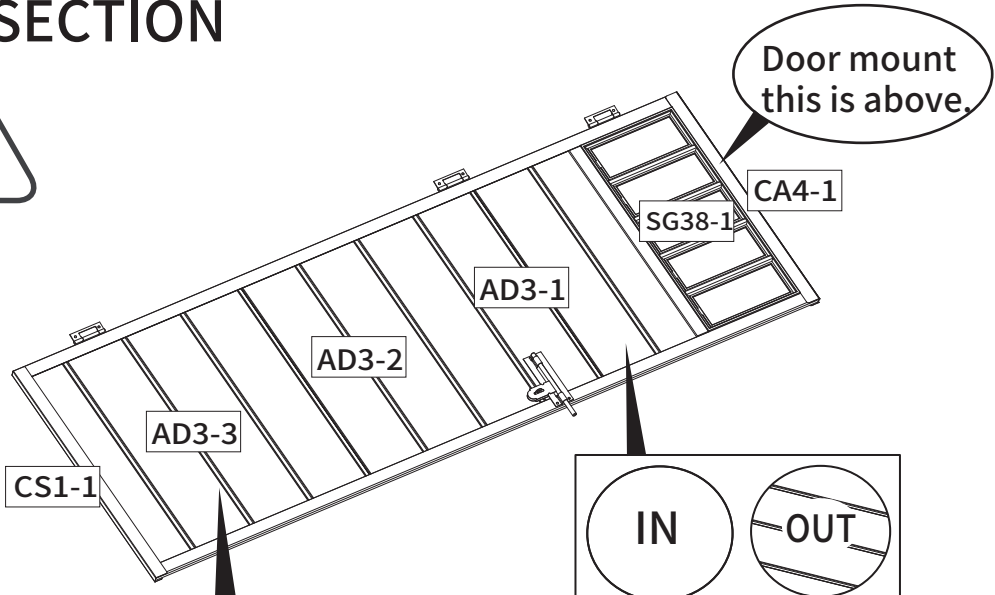
- Remove the film before fixing SG101



- Two persons are needed for this step, to press SG10 from outside and inside.

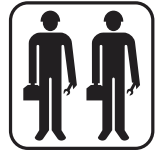
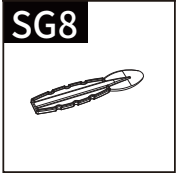


# DOOR SECTION

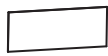


● The boards must be straight

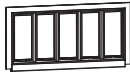
● The stripes should be outside.



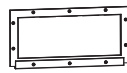
# 26



SG38-3 1pc

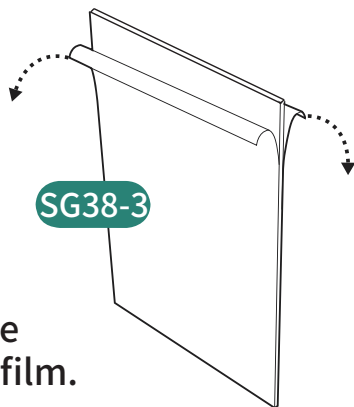


SG38-1 1pc



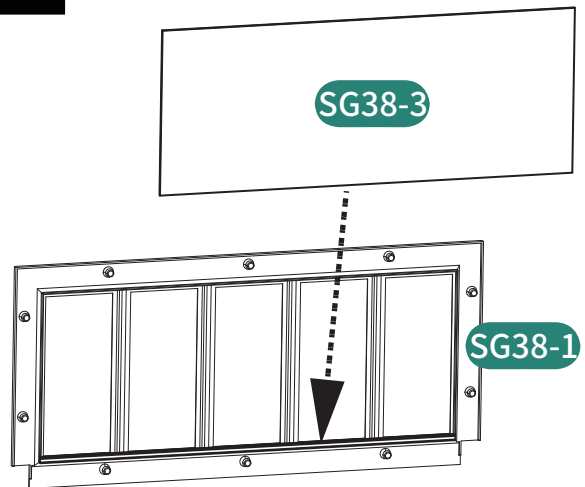
SG38-2 1pc

## 27-1

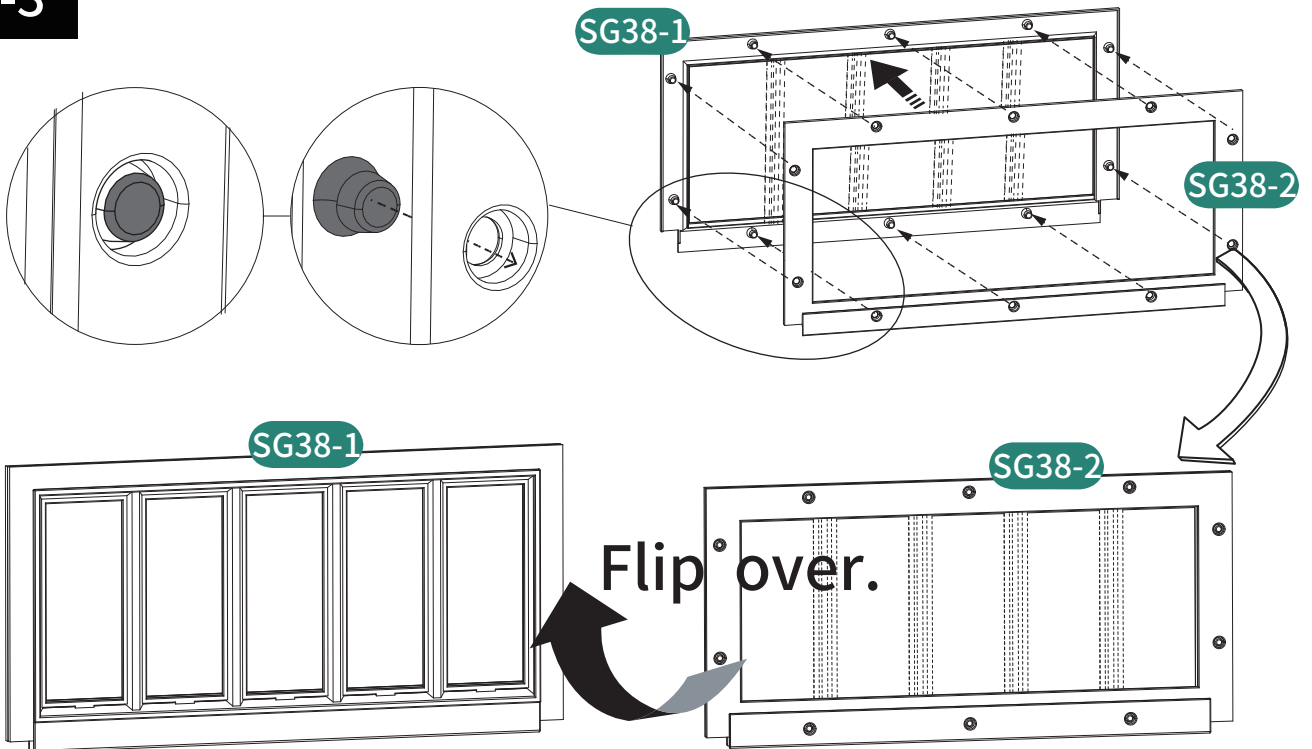


● Remove the protective film.

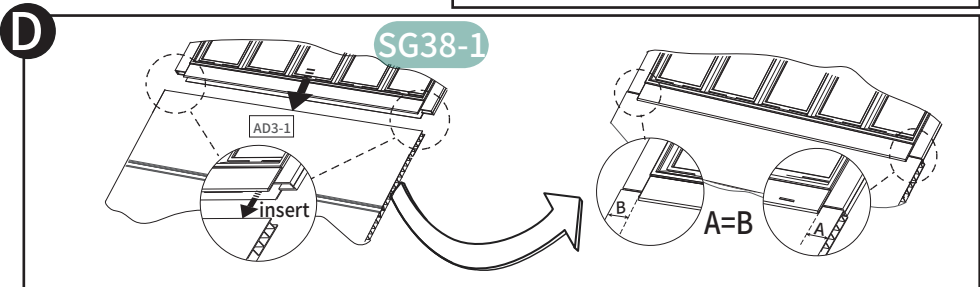
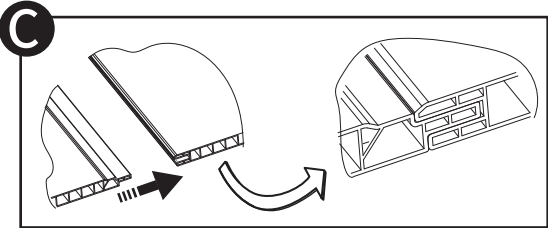
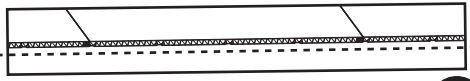
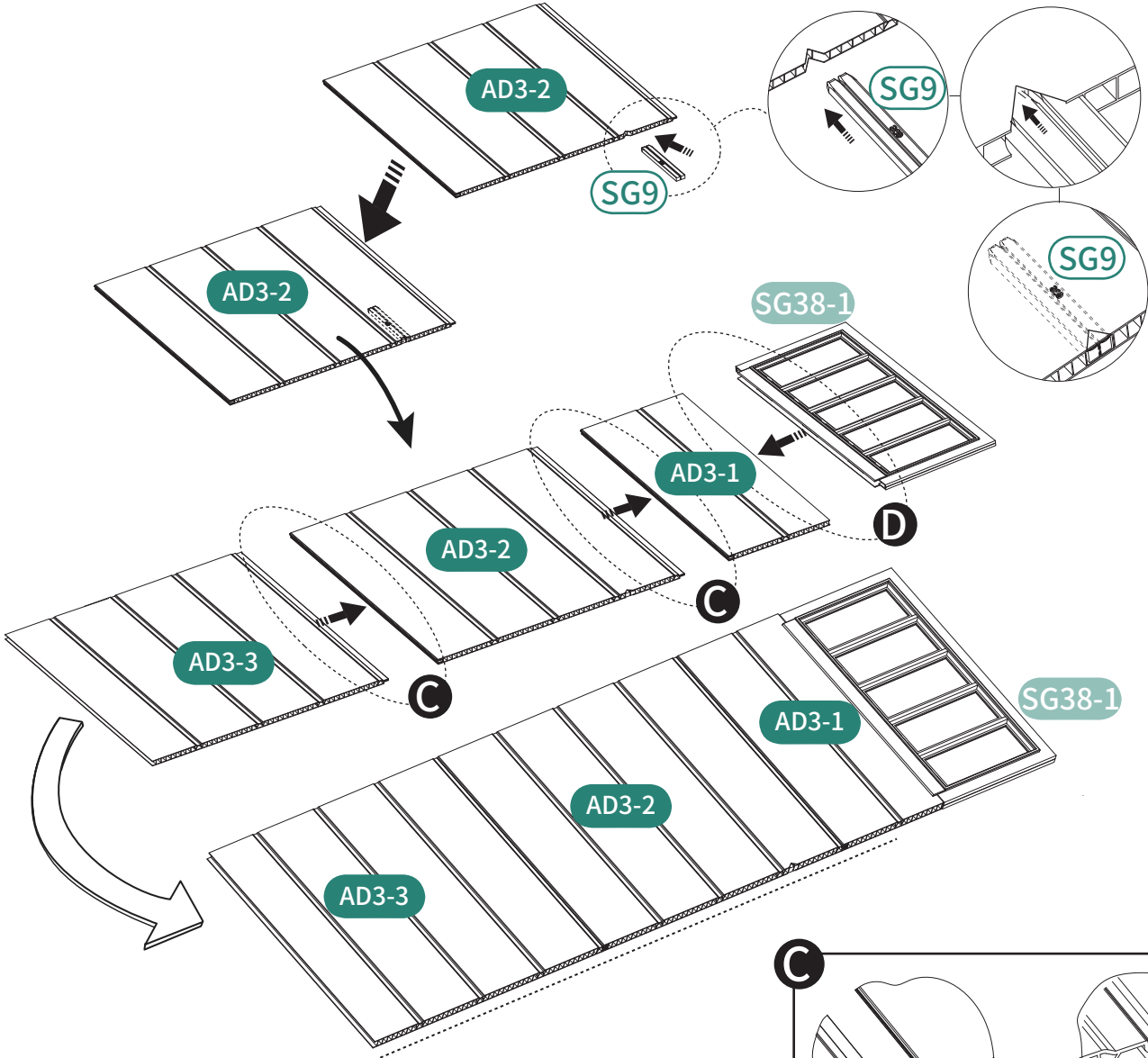
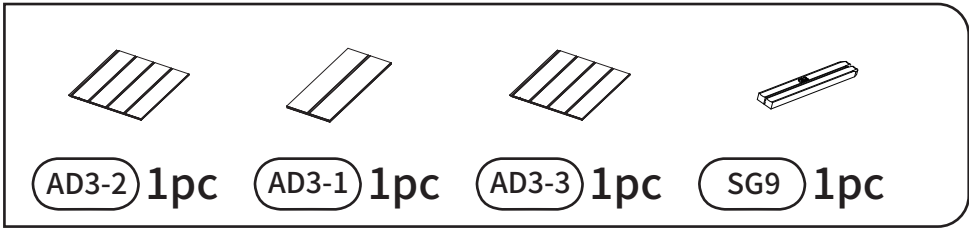
## 27-2



## 27-3



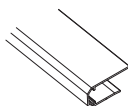
# 27



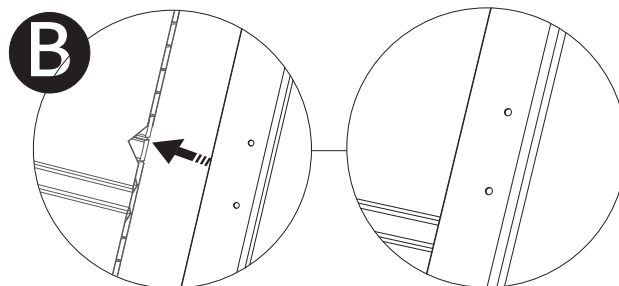
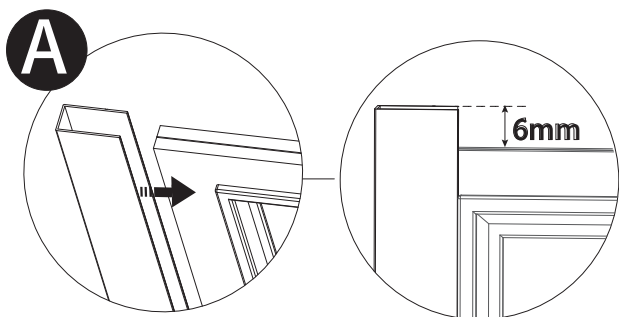
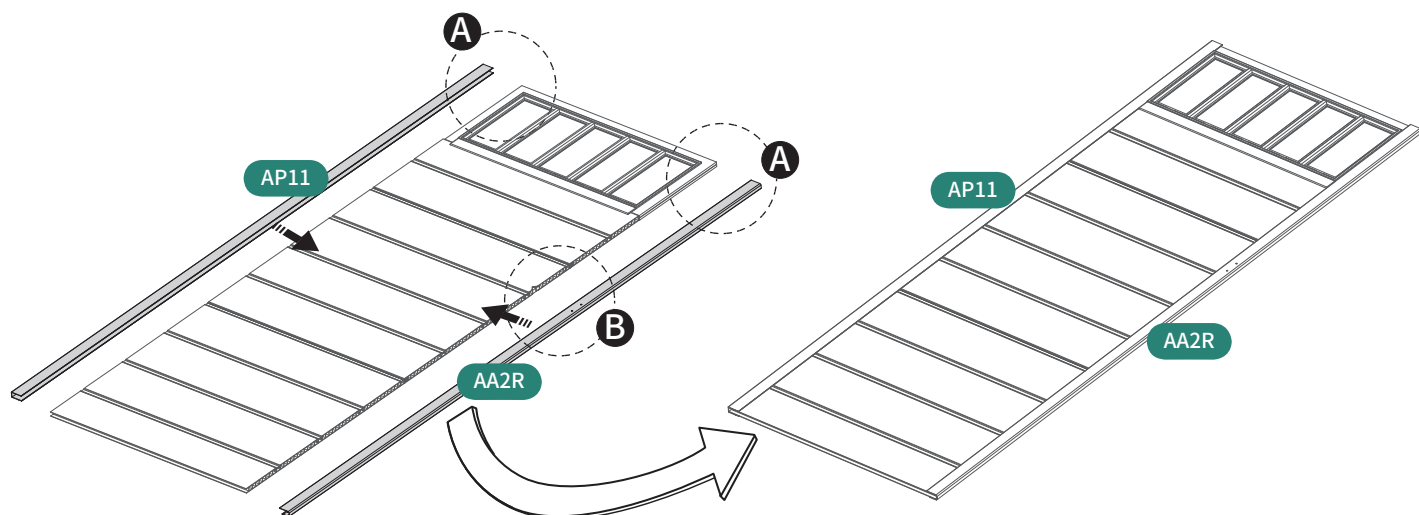
# 28



AP11 1pc



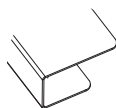
AA2R 1pc



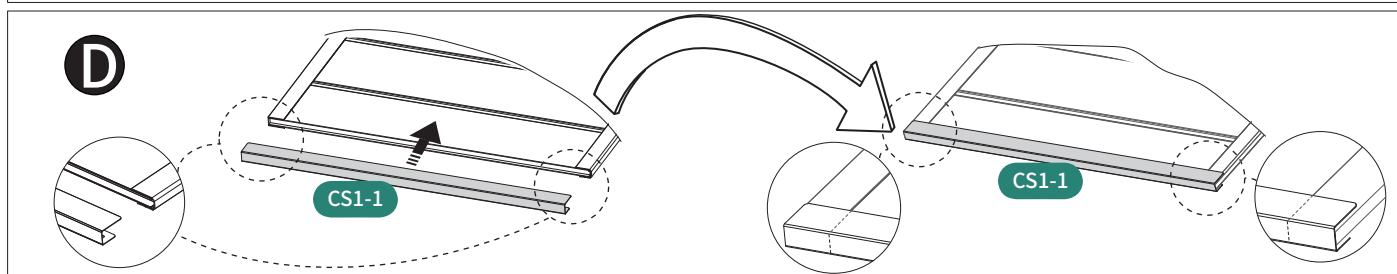
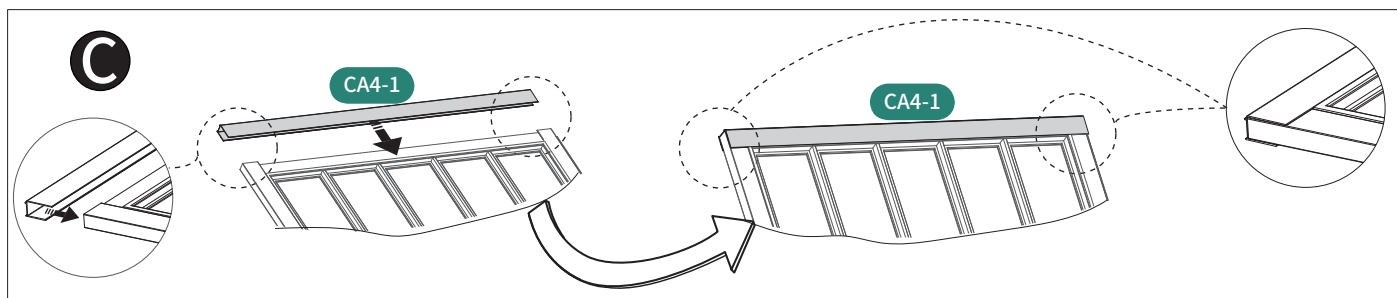
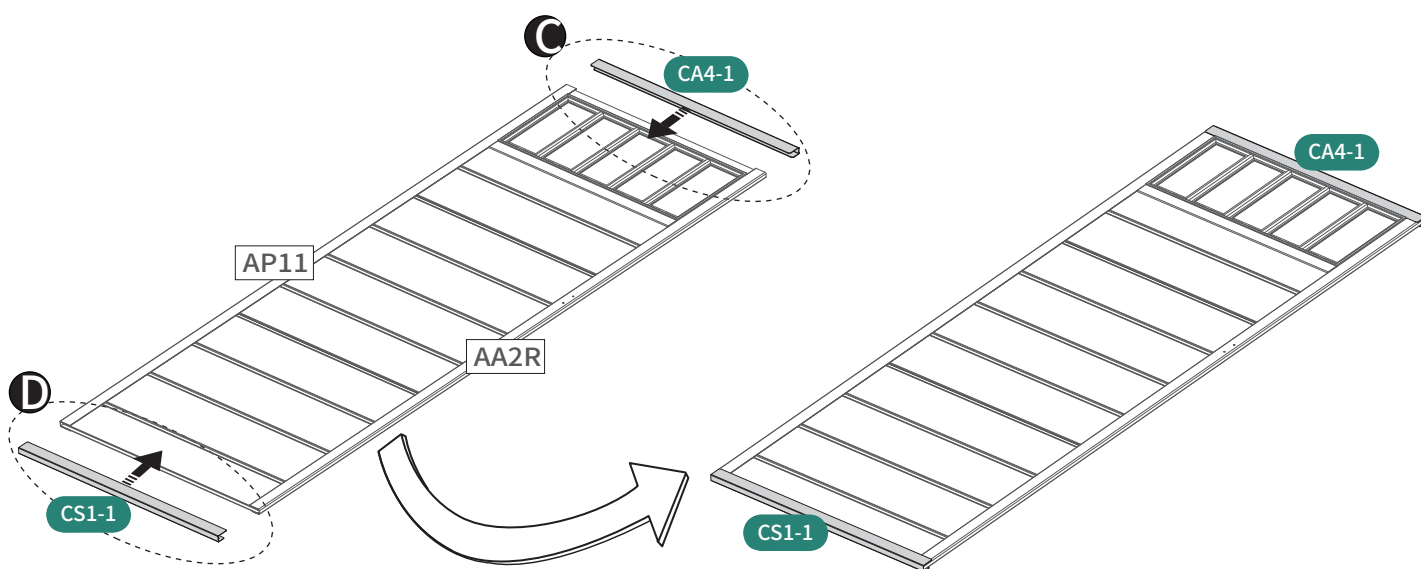
# 29



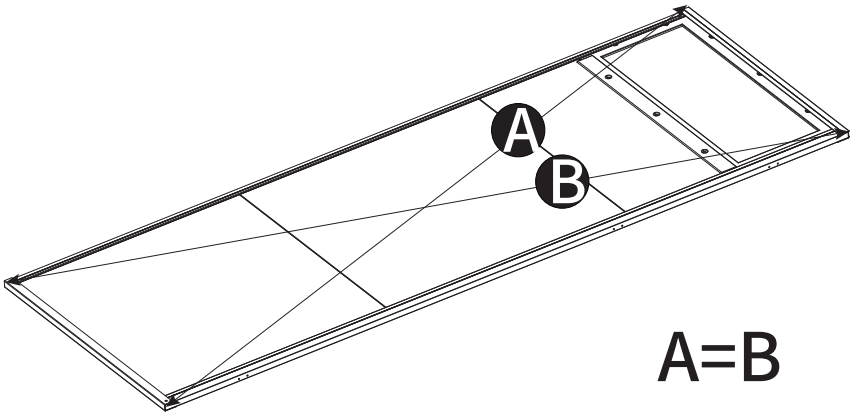
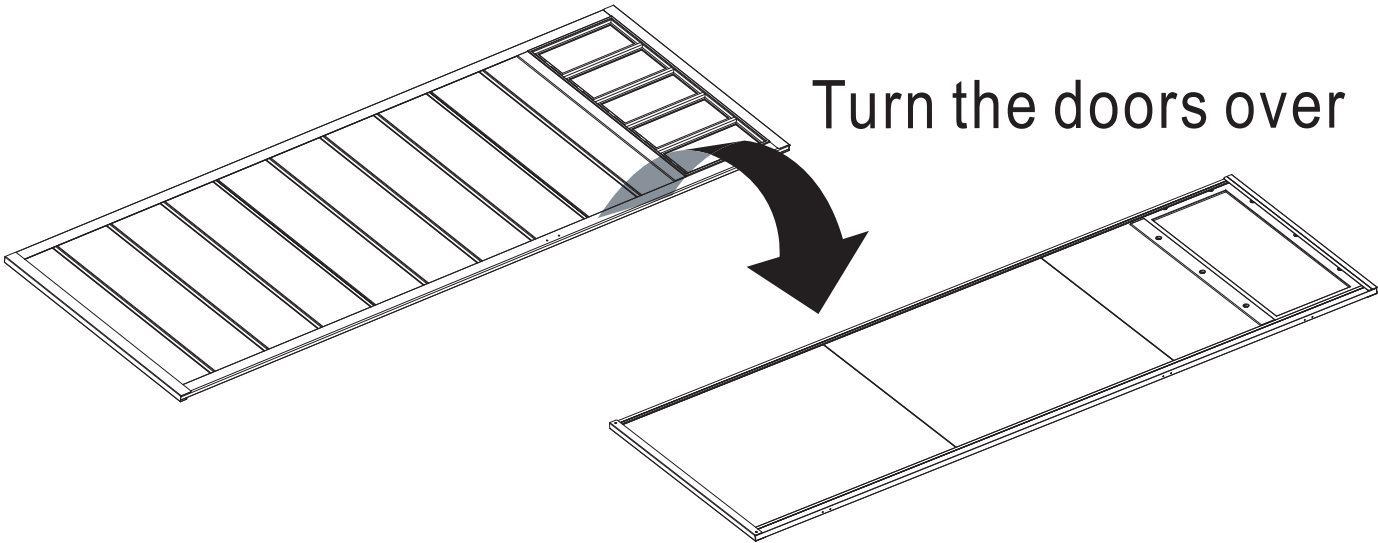
CA4-1 1pc




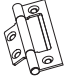
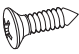
CS1-1 1pc

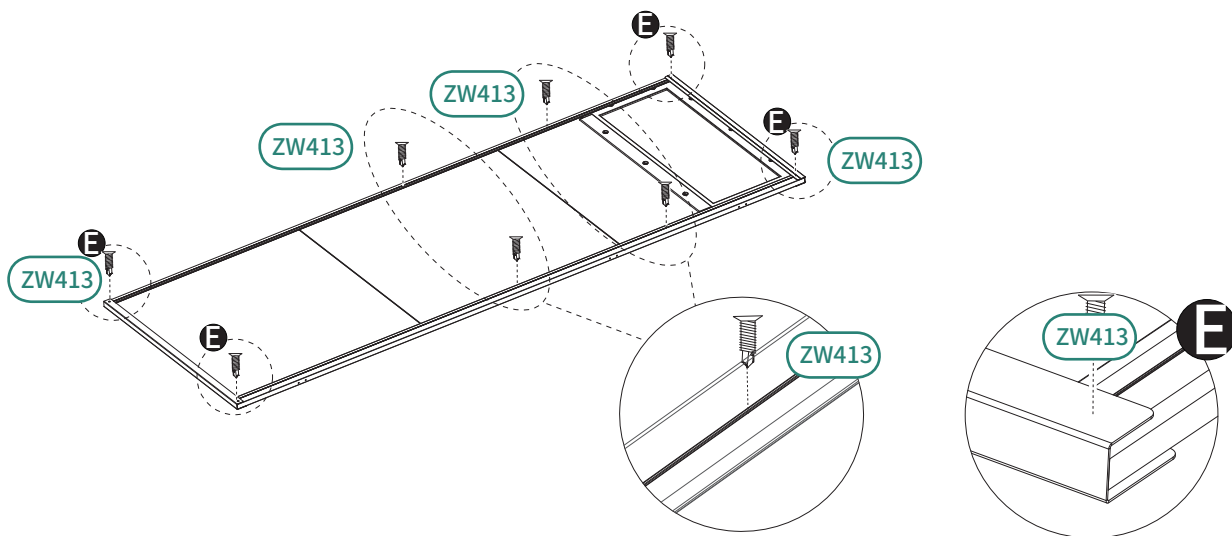


# 30

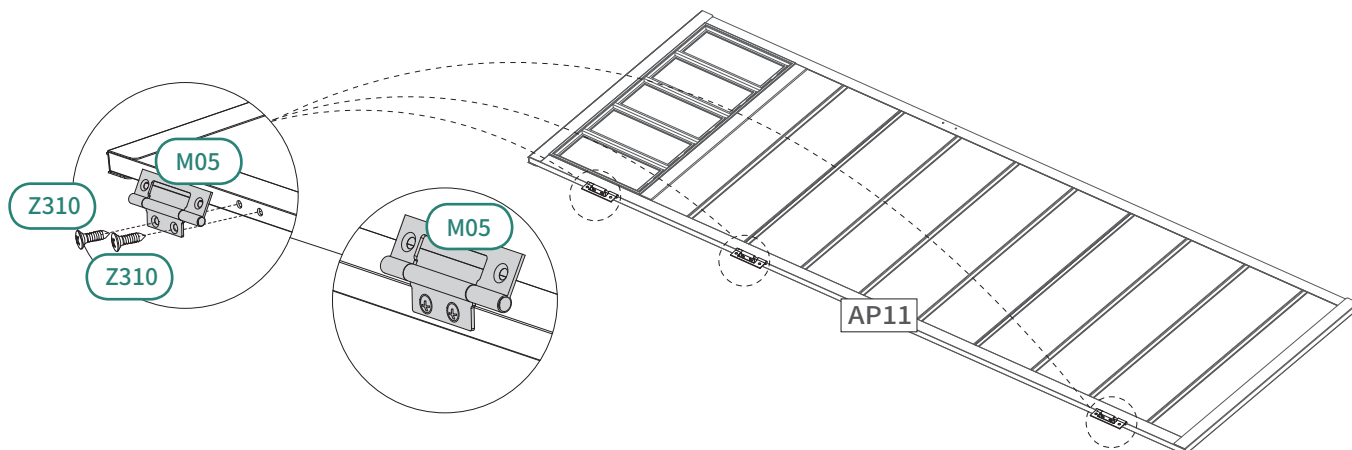
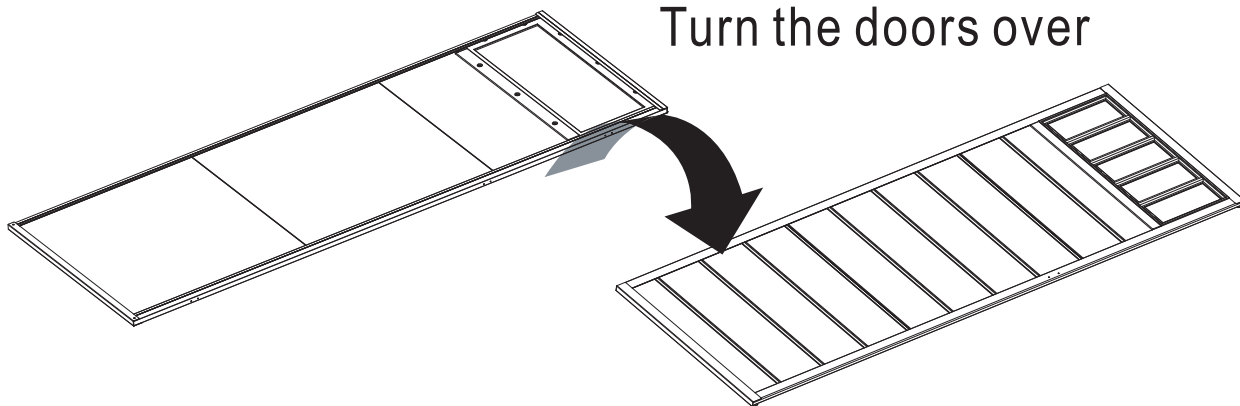


# 31

-  ZW413 8pcs
-  M05 3pcs
-  Z310 6pcs



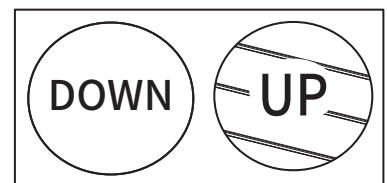
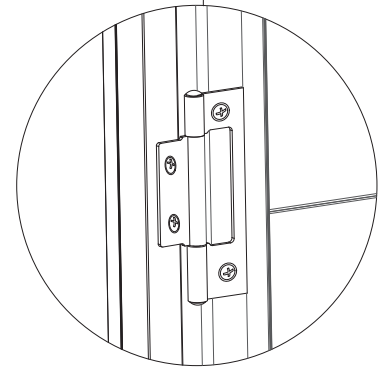
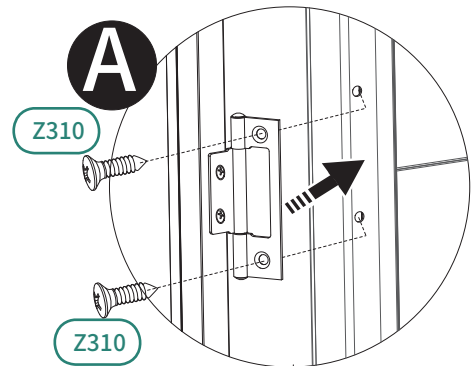
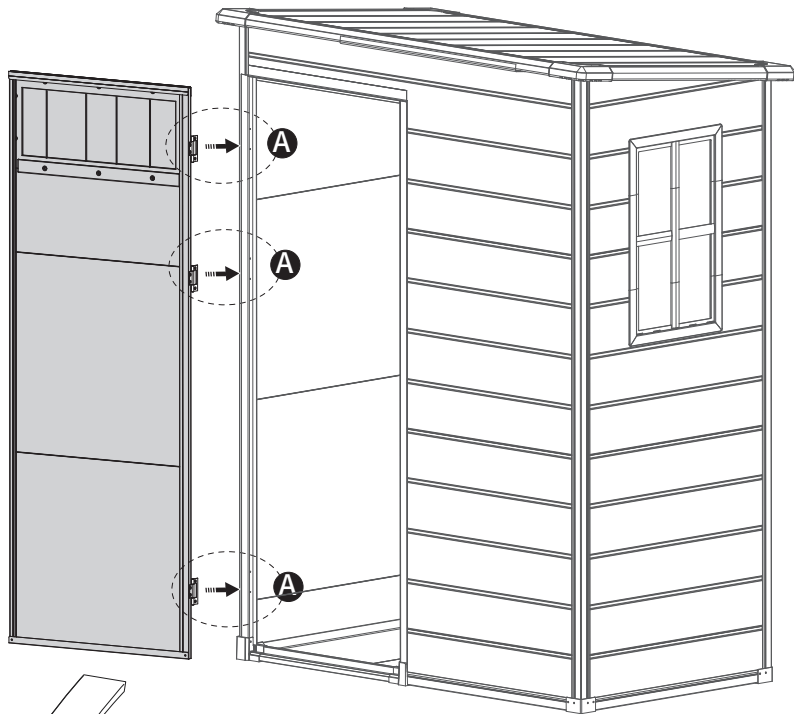
Turn the doors over



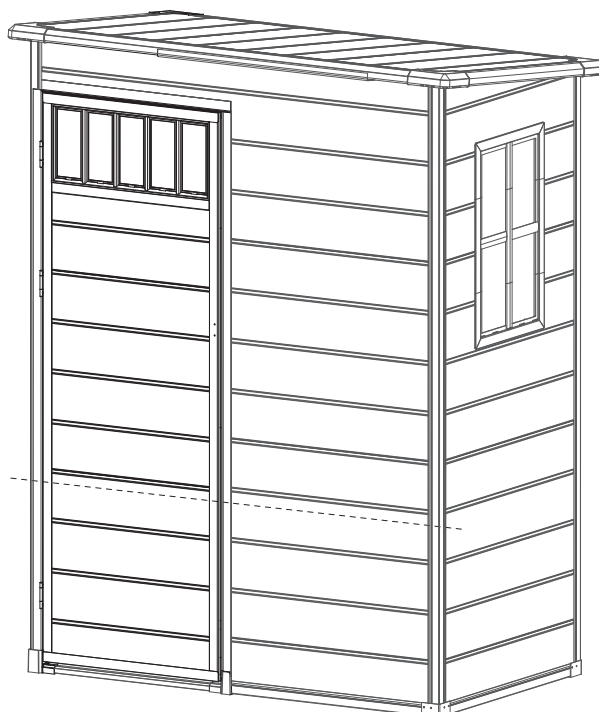
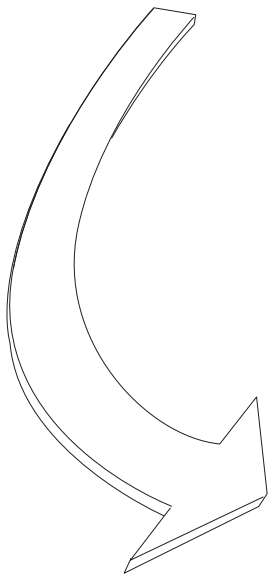
# 32



Z310 6pcs



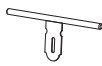
● The stripes are facing up.



# 33



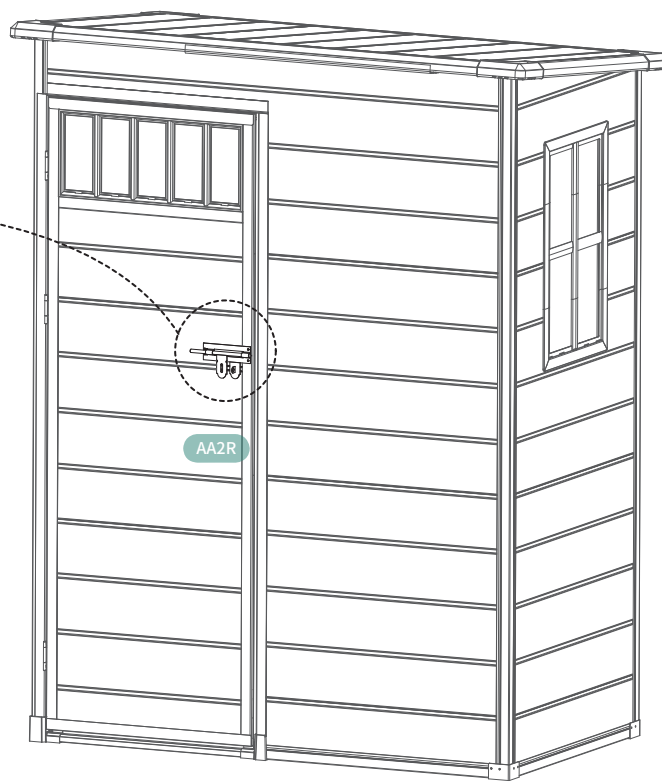
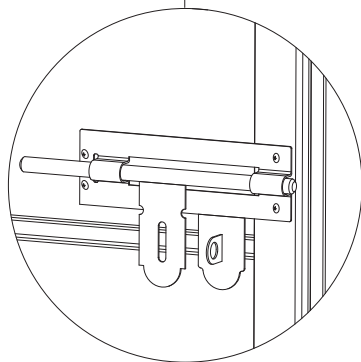
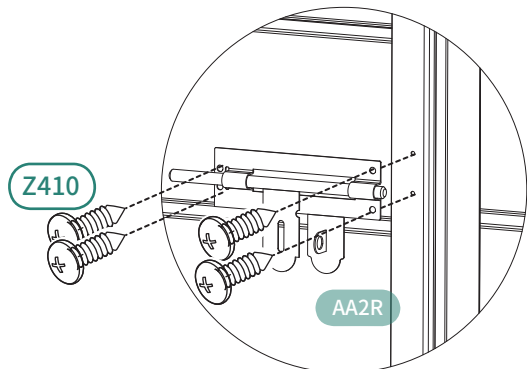
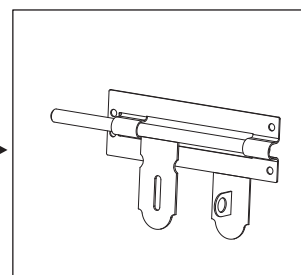
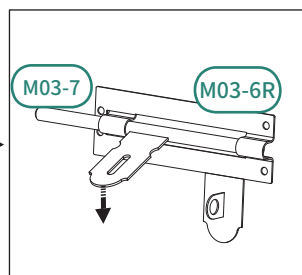
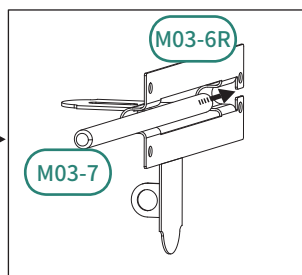
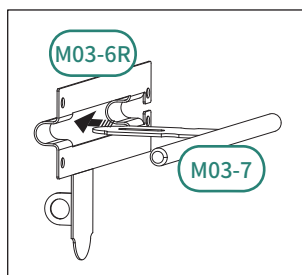
M03-6R 1pc



M03-7 1pc



Z410 4pcs



34

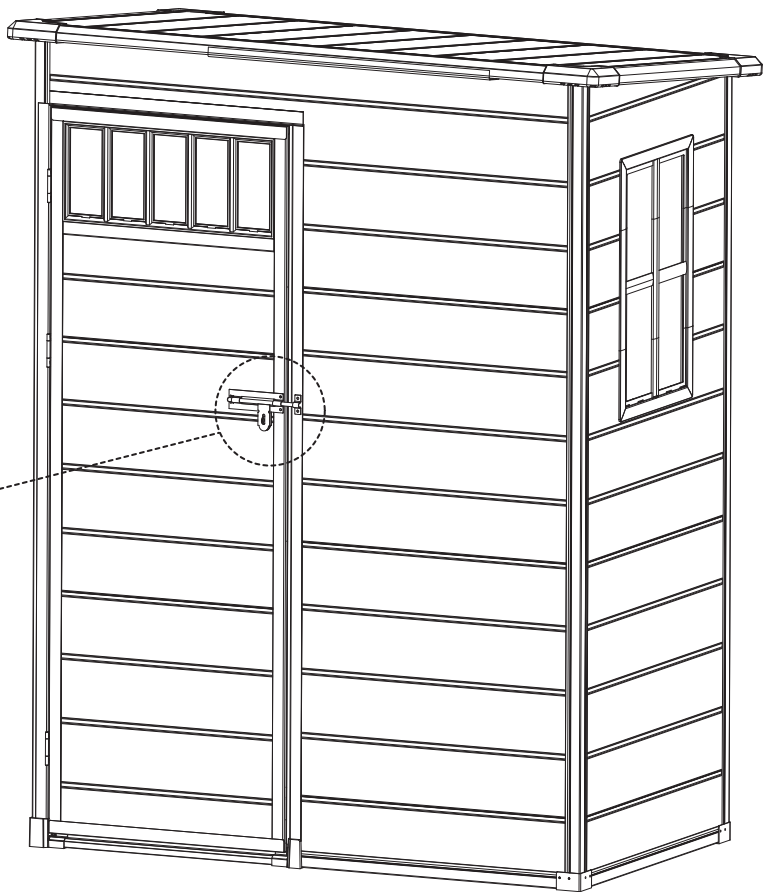
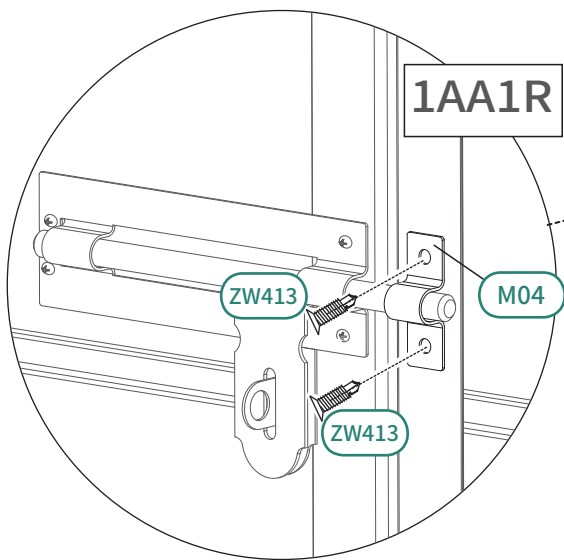


M04

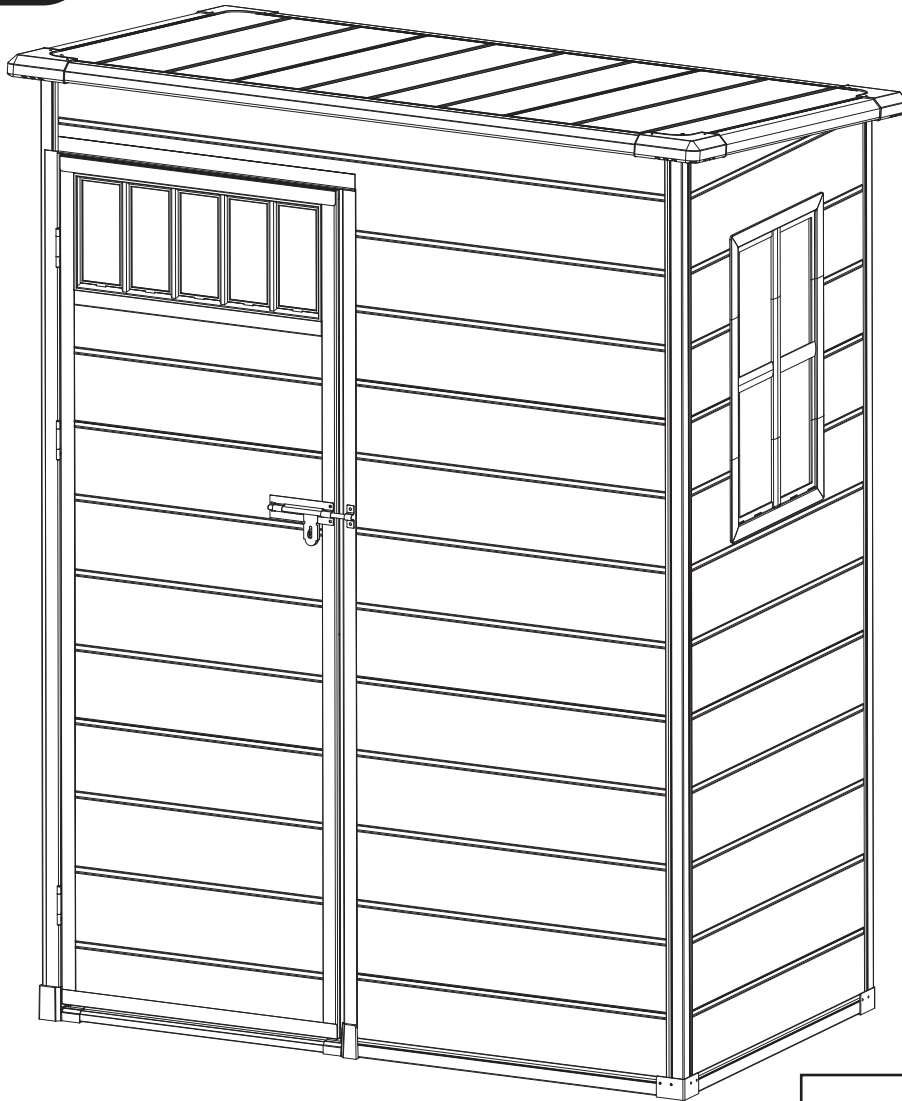
1pc

ZW413

2pcs



35



Installation Completed

Installation Abgeschlossen

Installation Complétée

Installazione Completata

Instalación Completada

# HELP CENTER



Inquiry



Assembly issue



Missing parts

If you encounter any difficulties during assembly, please contact us.

Wenn Sie während der Montage auf Schwierigkeiten stoßen, kontaktieren Sie uns bitte.

Si vous rencontrez des difficultés lors du montage, veuillez nous contacter.

Se incontri difficoltà durante il montaggio, ti preghiamo di contattarci.

Si encuentras alguna dificultad durante el ensamblaje, por favor contáctanos.

# DISCLAIMER

Manufacturer and seller expressly disclaim any and all liability for personal injury, property damage or loss, whether direct, indirect, or incidental, resulting from the incorrect attachment, improper use, inadequate maintenance, unapproved modification, or neglect of this product.

Der Hersteller und Verkäufer lehnen ausdrücklich jegliche Haftung für Personenschäden, Sachschäden oder Verluste ab, egal ob direkt, indirekt oder zufällig, die durch falsche Anbringung, unsachgemäßen Gebrauch, unzureichende Wartung, nicht genehmigte Änderungen oder Vernachlässigung dieses Produkts entstehen.

El fabricante y vendedor renuncian expresamente a toda responsabilidad por lesiones personales, daños materiales o pérdidas, ya sean directos, indirectos o incidentales, derivados de la incorrecta colocación, uso inadecuado, mantenimiento insuficiente, modificación no aprobada o negligencia de este producto.

Il produttore e il venditore declinano espressamente ogni responsabilità per lesioni personali, danni materiali o perdite, dirette, indirette o incidentali, derivanti dall'errato fissaggio, uso improprio, manutenzione inadeguata, modifica non autorizzata o negligenza di questo prodotto.

Le fabricant et le vendeur déclinent expressément toute responsabilité en cas de blessures corporelles, de dommages matériels ou de pertes, qu'ils soient directs, indirects ou accessoires, résultant de la fixation incorrecte, de l'utilisation inappropriée, de l'entretien insuffisant, de la modification non approuvée ou de la négligence de ce produit.