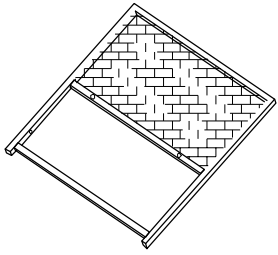


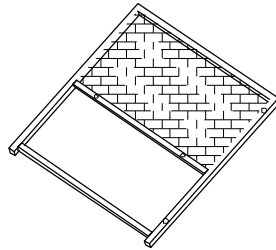
ASSEMBLY INSTRUCTIONS

PARTS AND HARDWARE

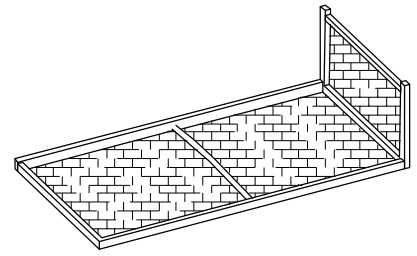
Avoid using sharp objects such as a knife to cut open packing as you may accidentally damage the upholstery.



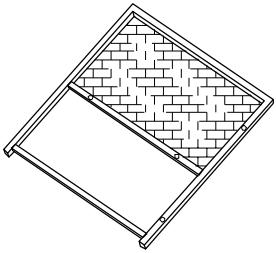
A:1PC



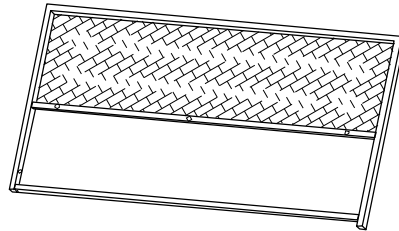
B:1PC



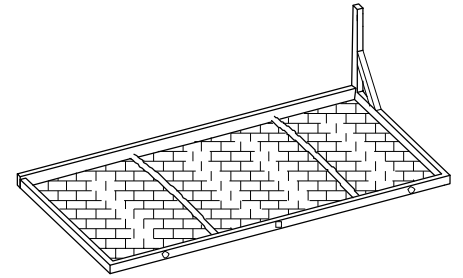
C:1PC



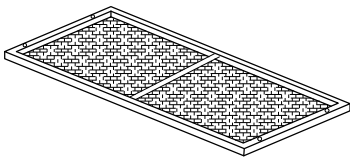
D:1PC



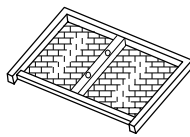
E:1PC



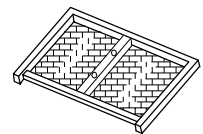
F:1PC



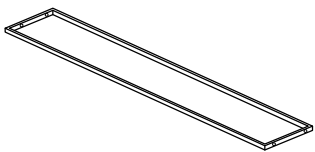
G:1PC



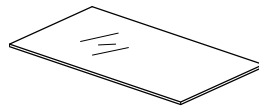
H1:1PC



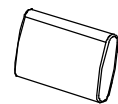
H2:1PC



I:1PC



J:1PC



K:3PCS



L:2PCS



N:19PCS
M6*40

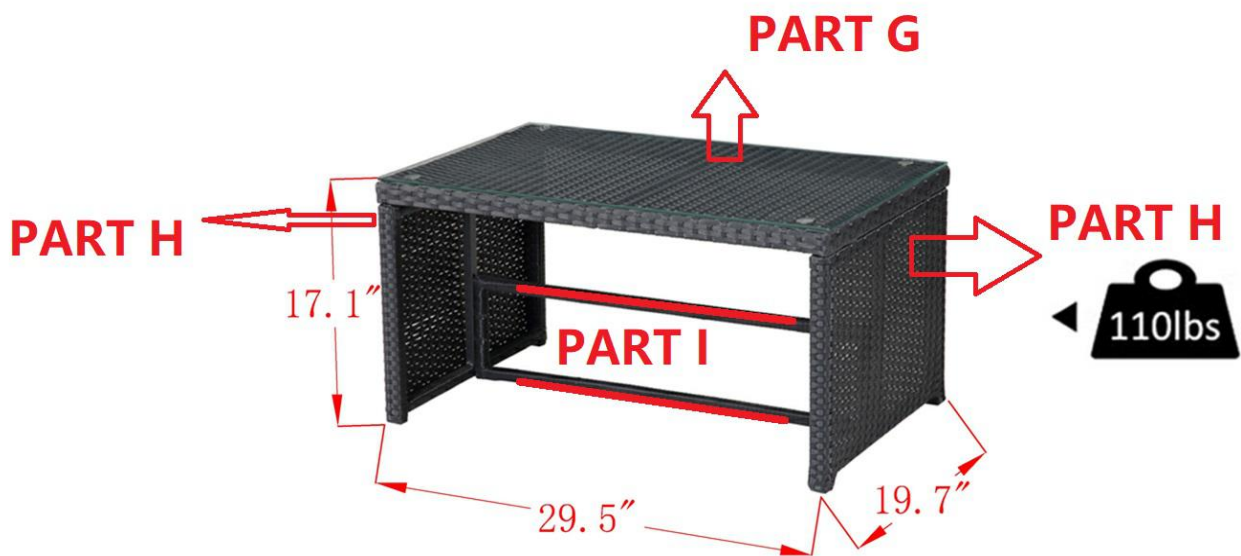


O:2PCS
M6*50

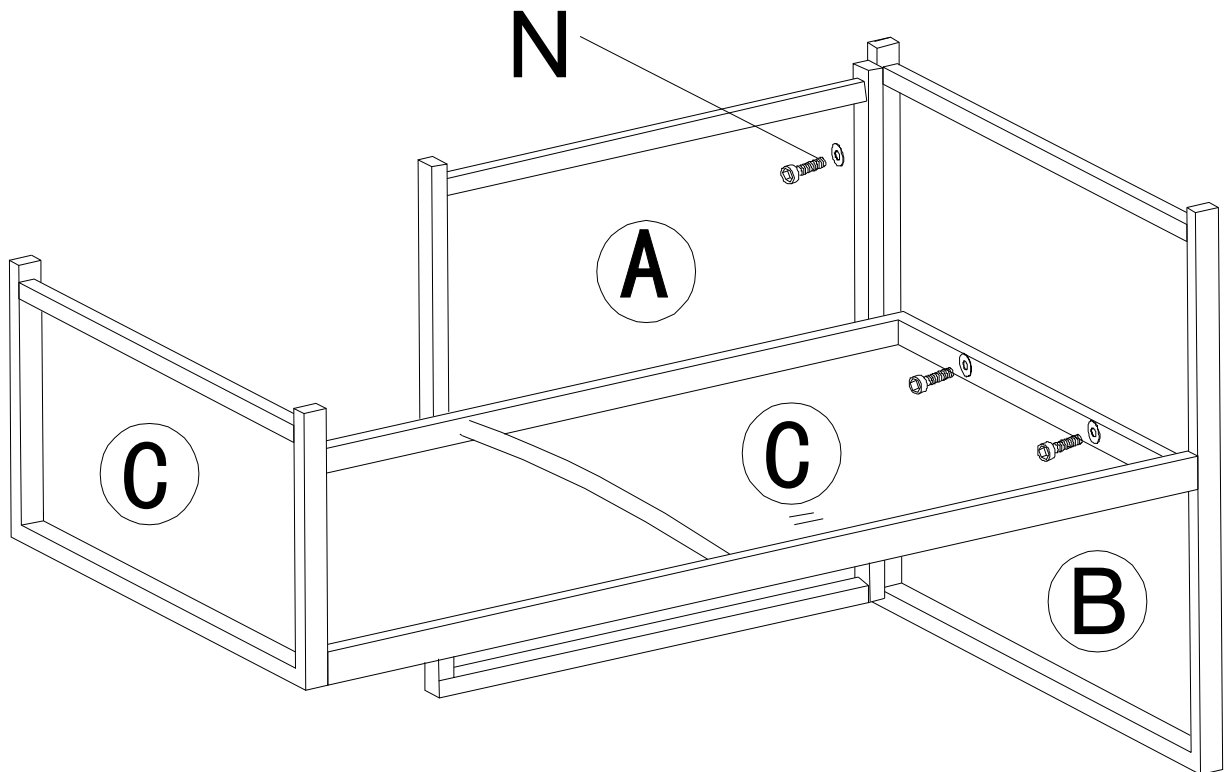
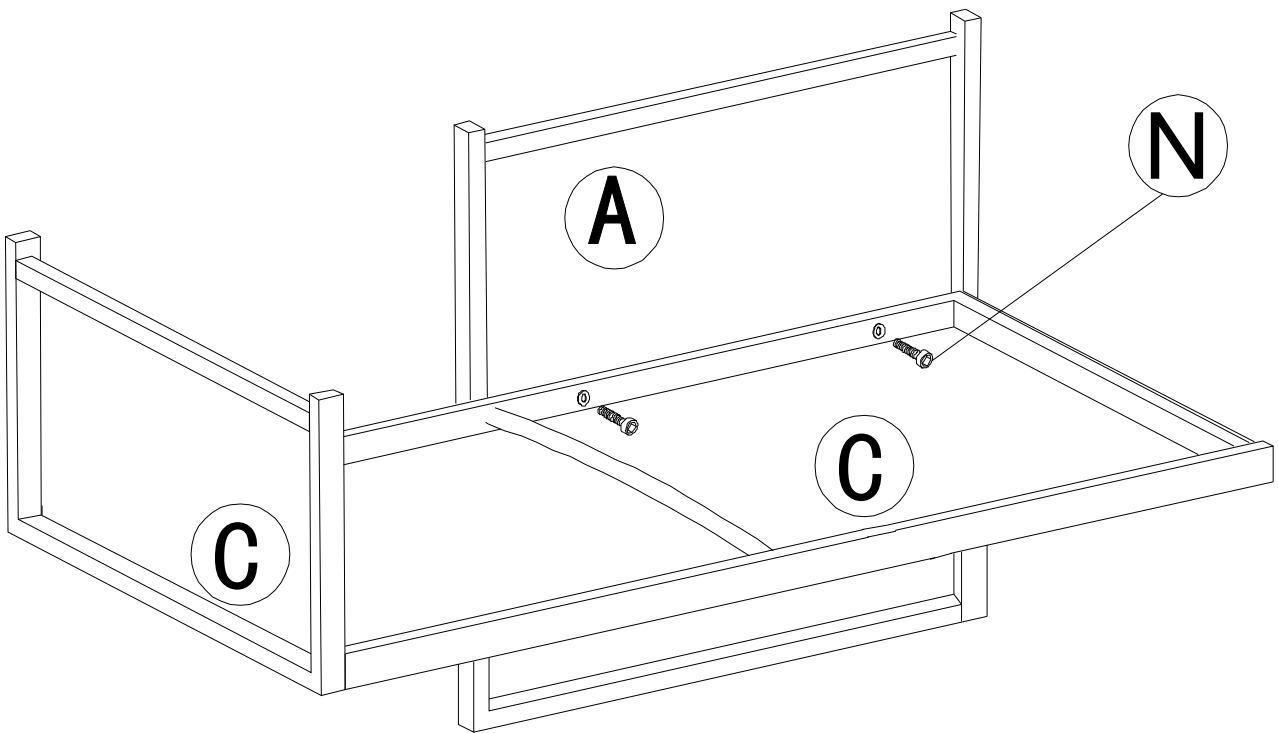


P:1PC

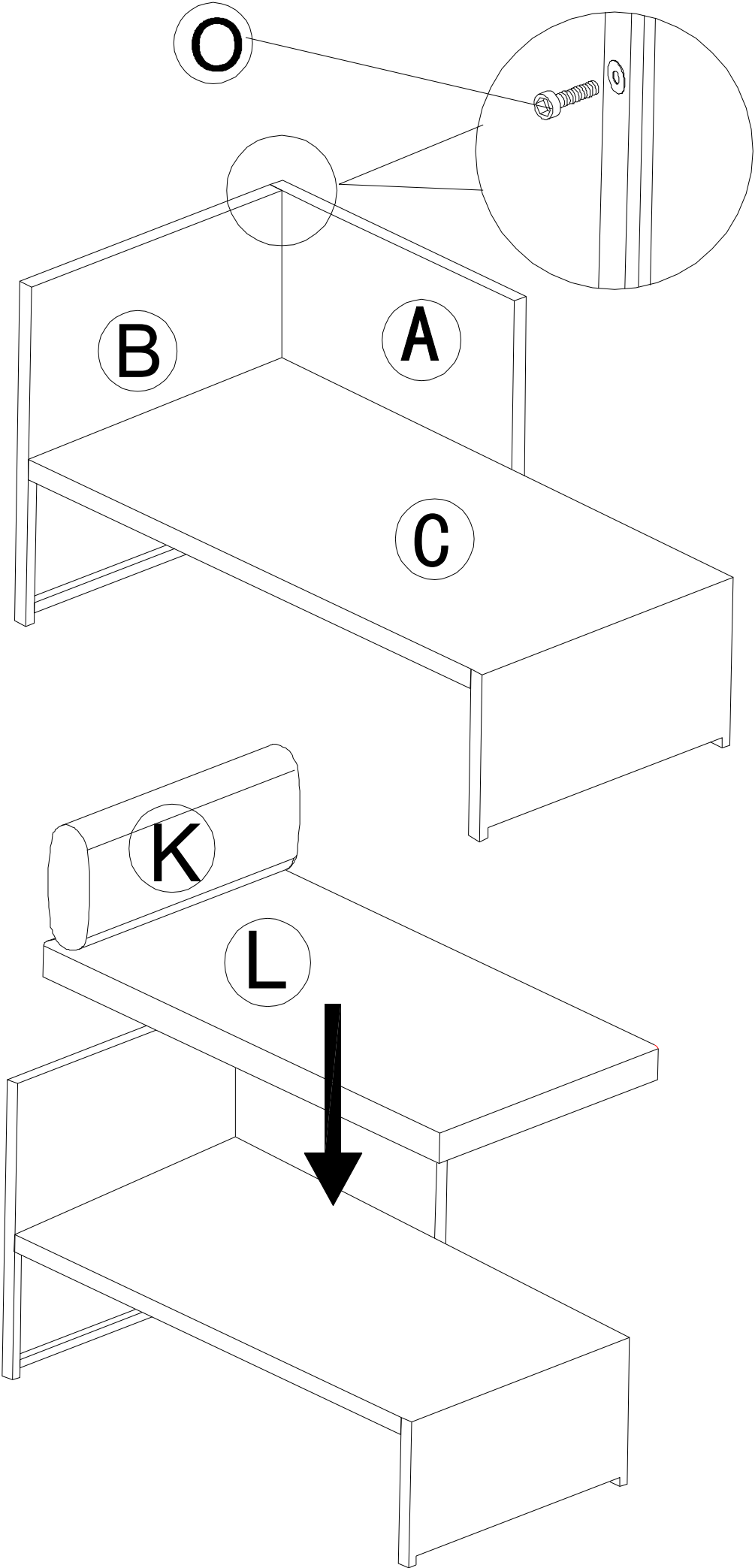
PART E, D, F are for double sofa. Part A,B,C are for lounge chair. Part 2pcs H and Part G, I are for the table. The Part B and Part D are same size. They are no deference.



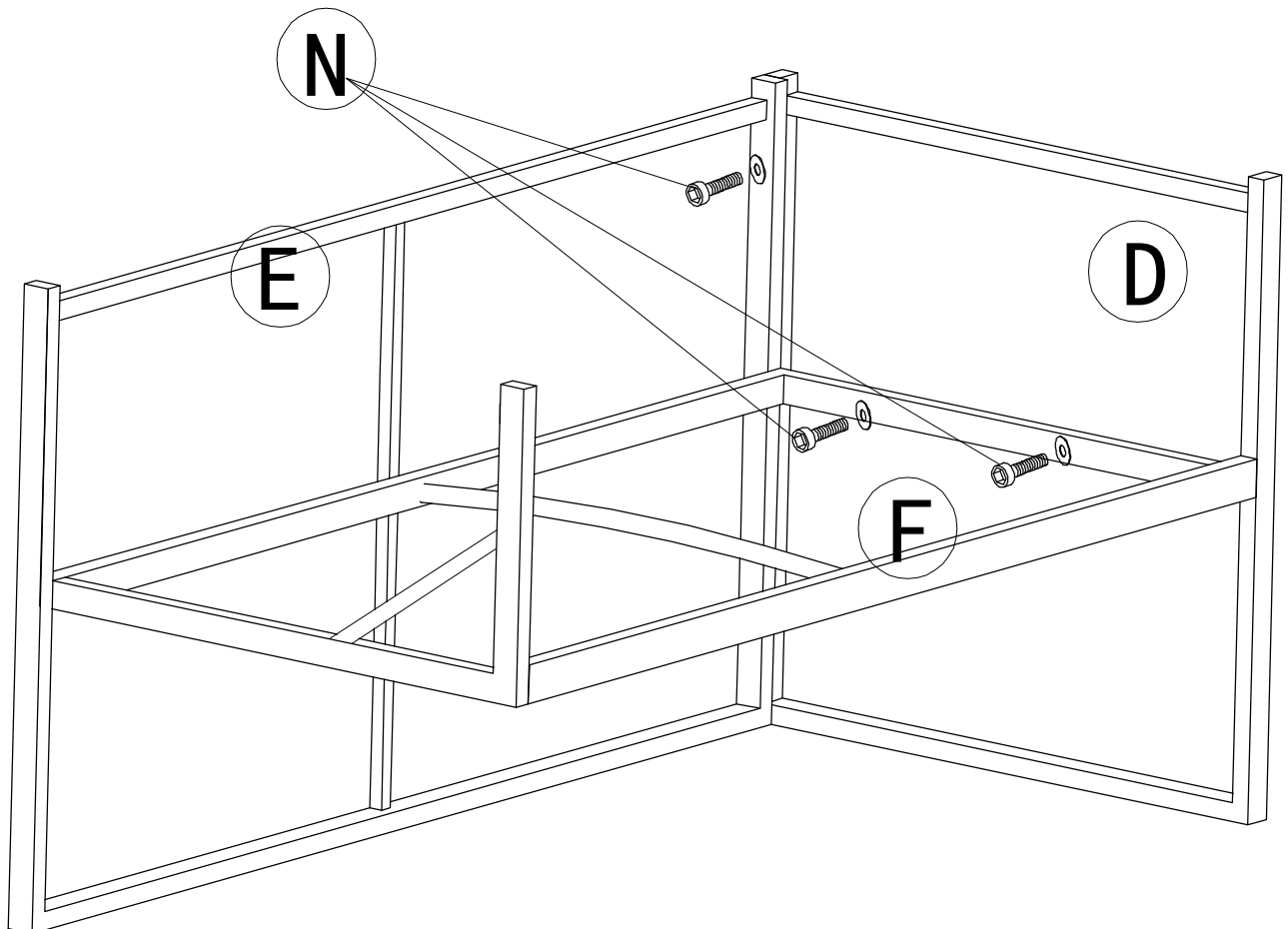
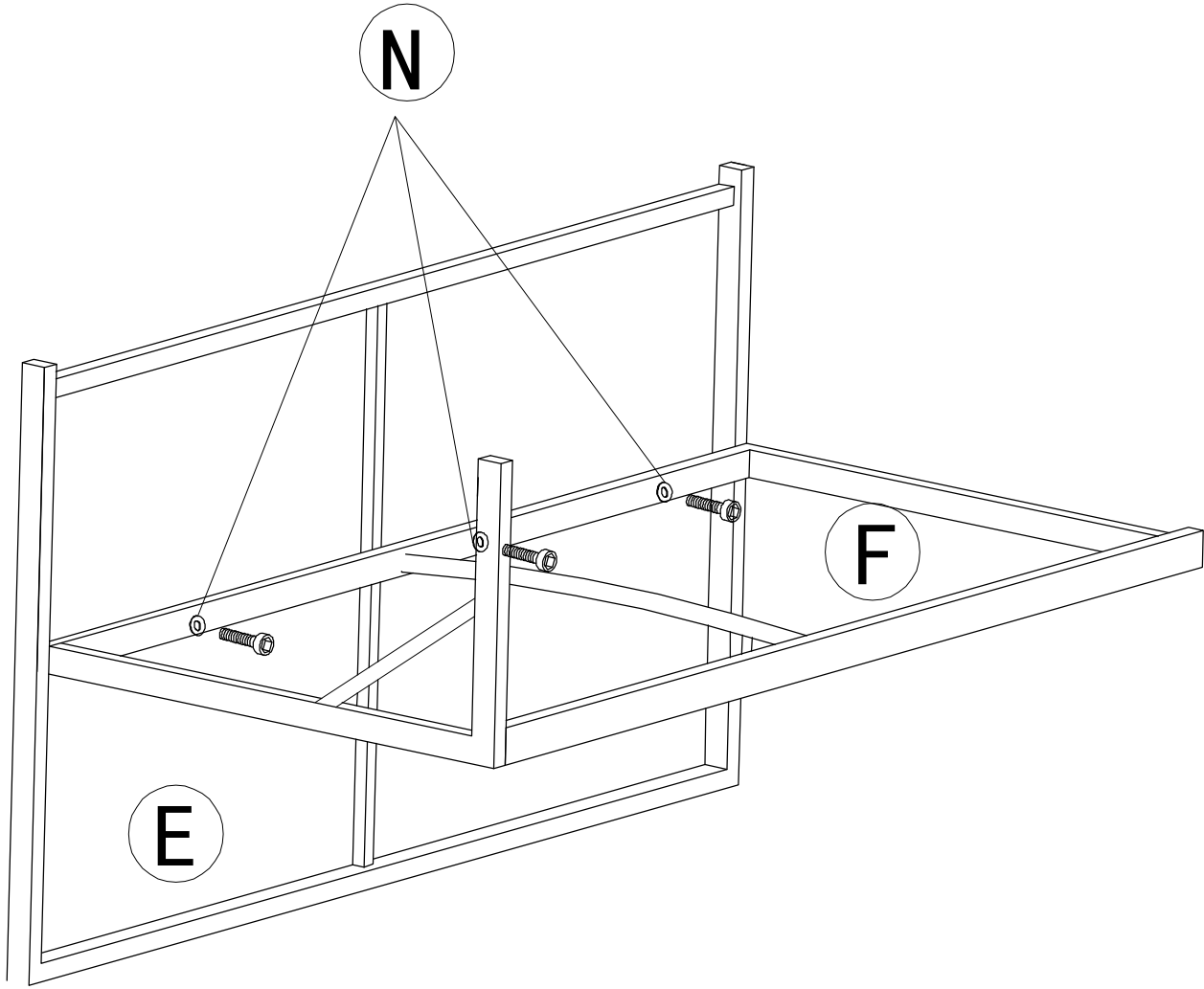
Do not fully tighten bolts until assembly is complete.



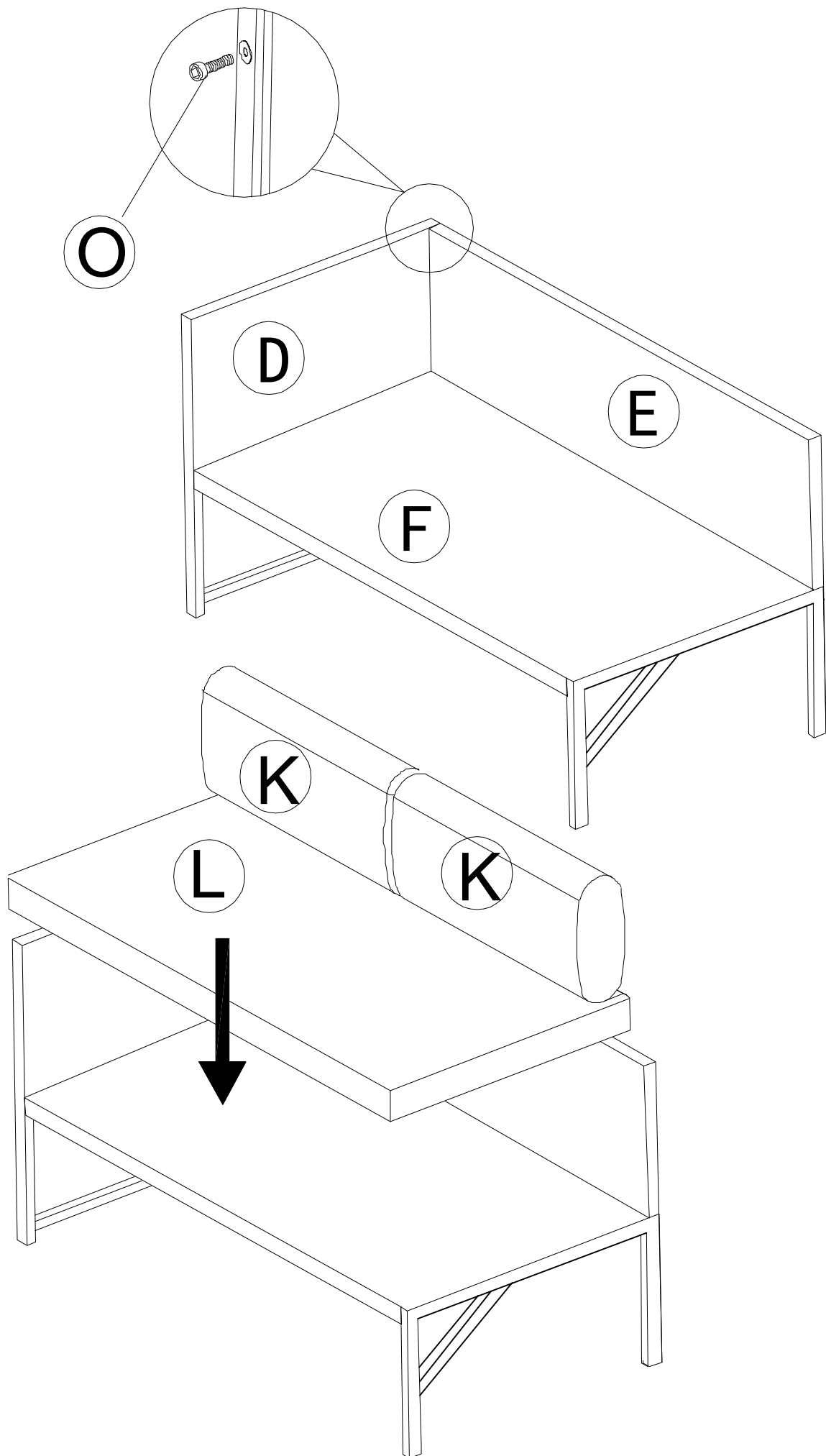
Do not fully tighten bolts until assembly is complete.



Do not fully tighten bolts until assembly is complete.



Do not fully tighten bolts until assembly is complete.



Do not fully tighten bolts until assembly is complete.

