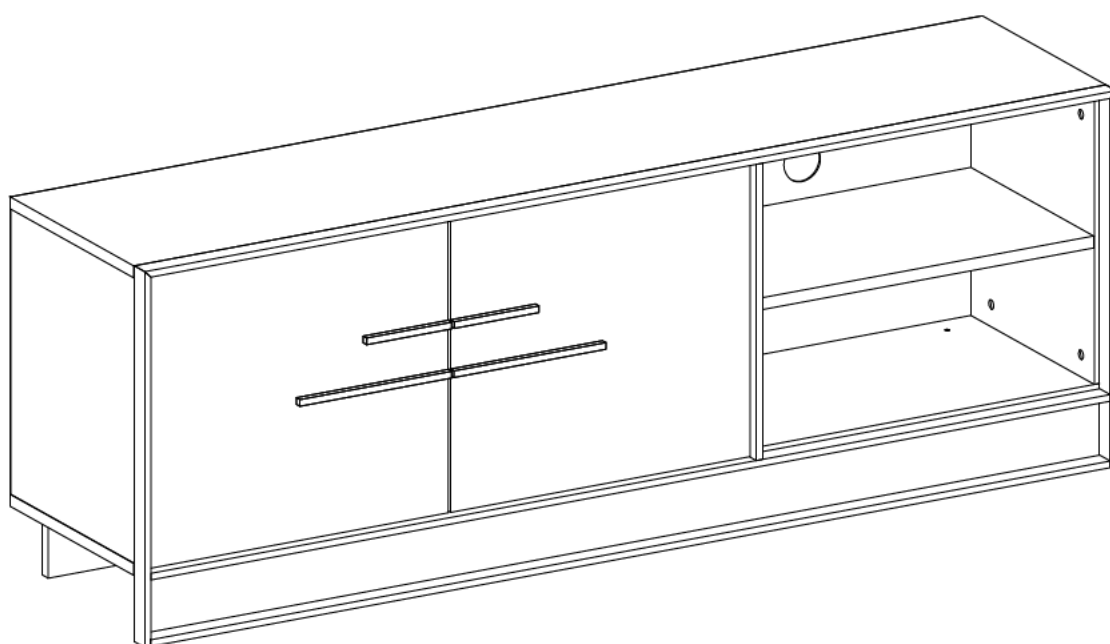
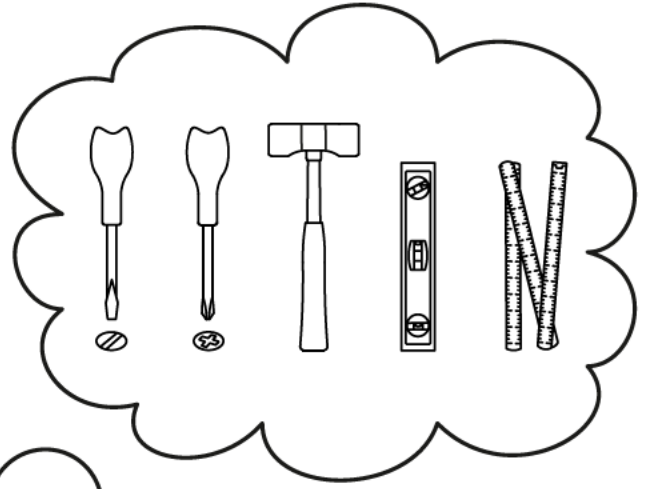
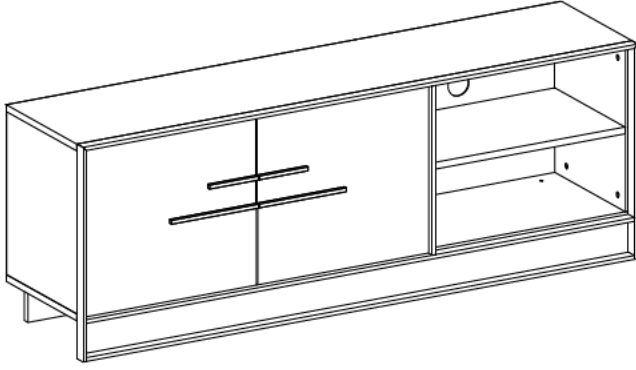


Tv Stand

Assembly Instruction





Tools & Installation Components



A03 Q10 mil

12x



A02 15x14 gövde

12x



A21 Q15 ypşkn tapa 1

12x



A19 3,5x18 SNT VDASI

22x



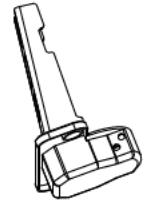
A17 6x50 KBN VDASI

4x



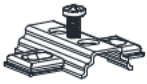
A28 çivi

18x



C01 YDB

4x



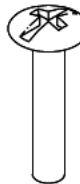
C04 aks37 taban

4x



A06 Q15 KEÇE

8x



A010 m4x22 ysb kulp vds

8x



P20 Raf pimi

4x



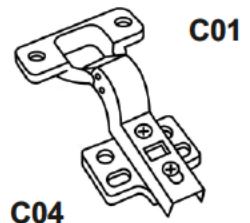
2x

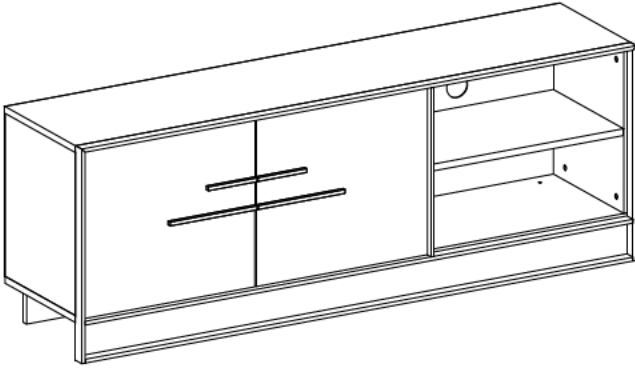


2x



Please be aware that C01(bracket) and C04(pivot) parts may come as attached together.

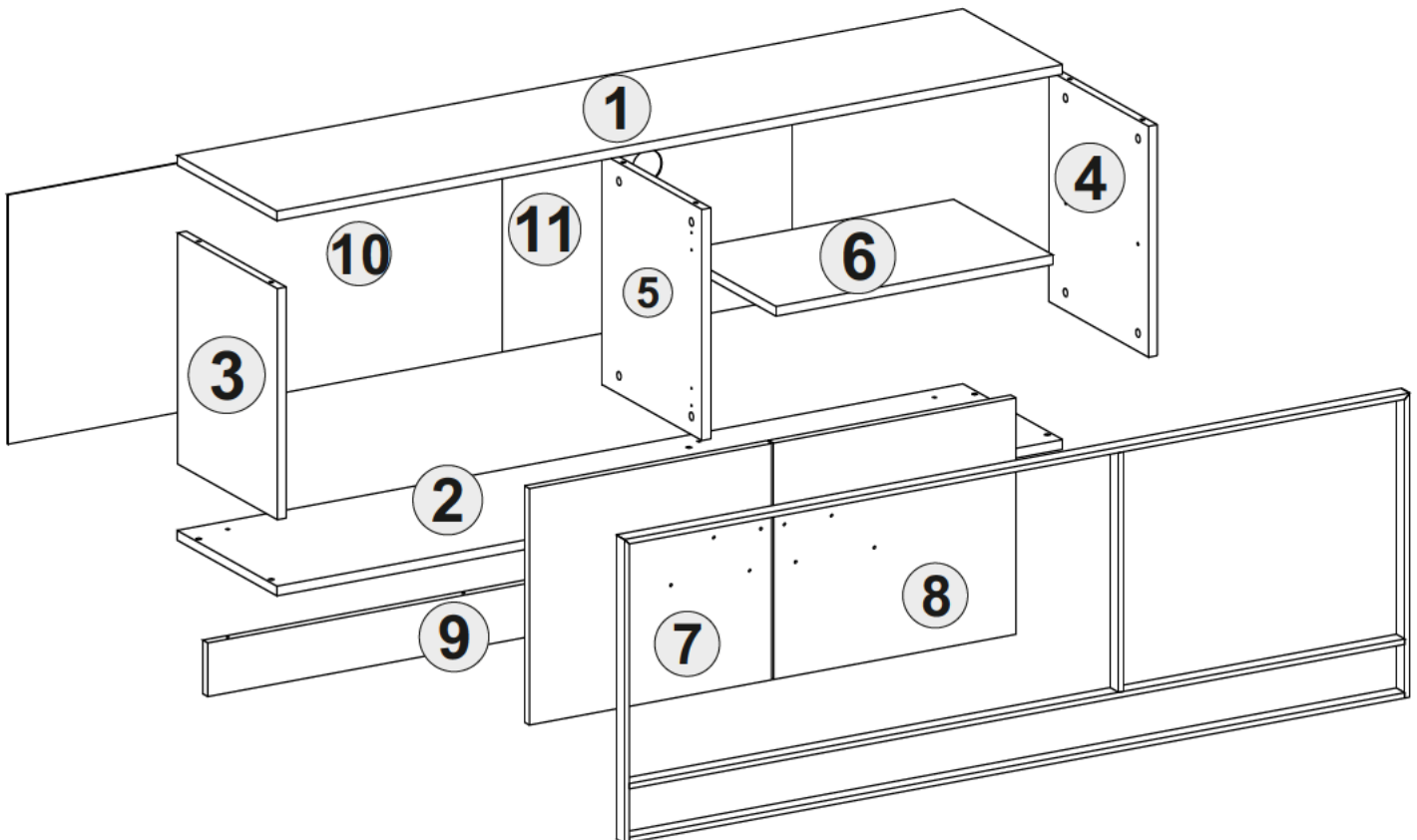




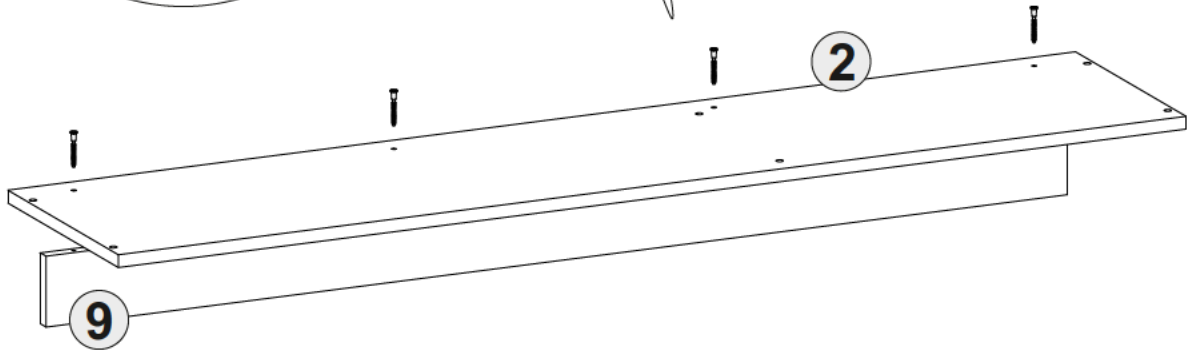
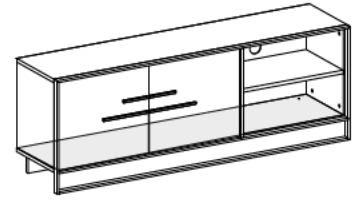
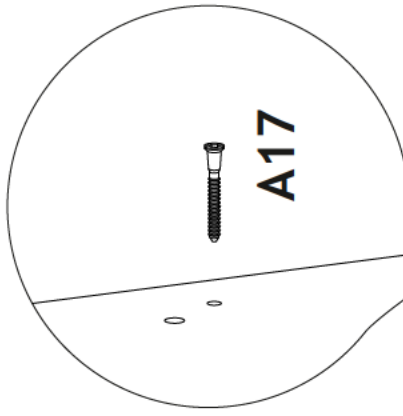
Disassembled Parts

Part#1	1x
Part#2	1x
Part#3	1x
Part#4	1x
Part#5	1x
Part#6	1x
Part#7	1x
Part#8	1x
Part#9	1x
Part#10	1x
Part#11	1x

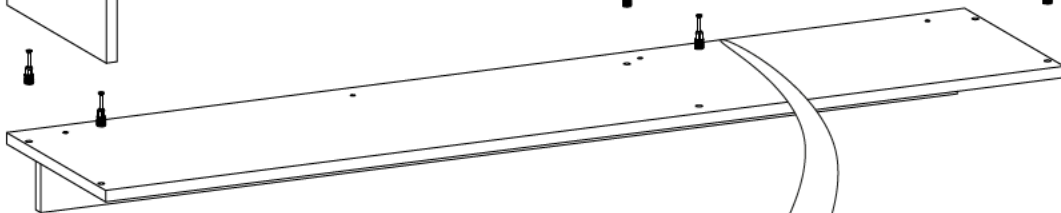
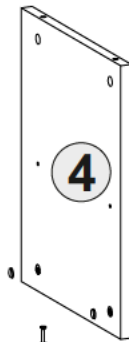
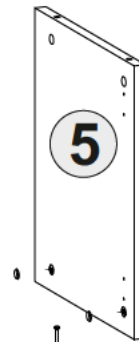
Total **11x**



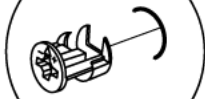
1



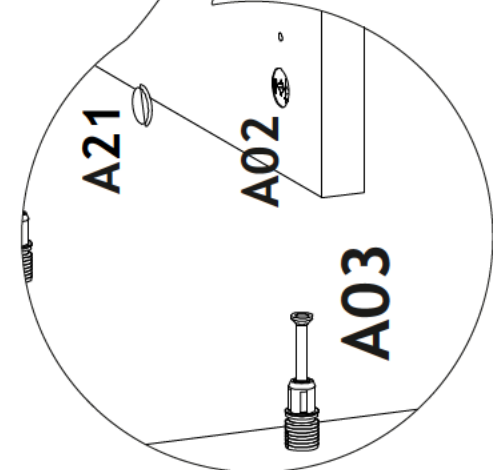
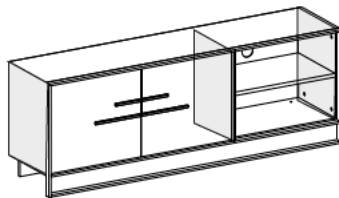
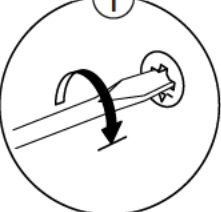
2



6x

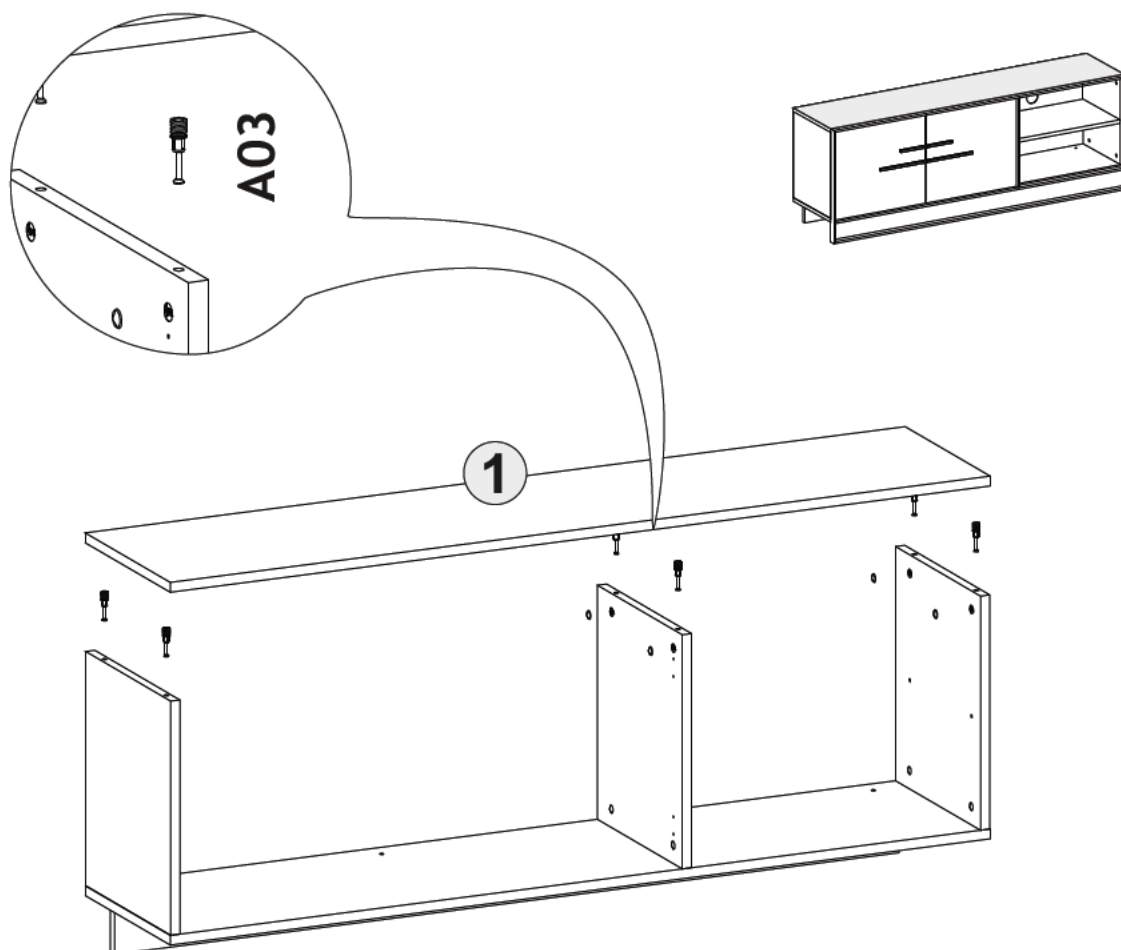


1

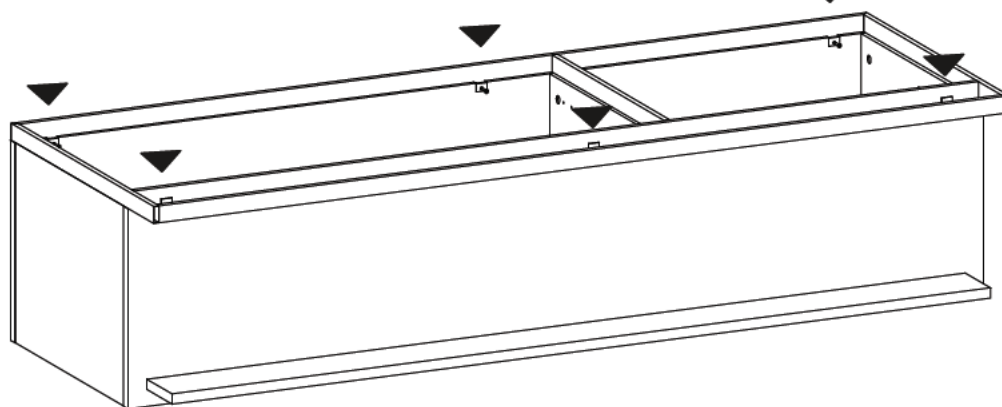
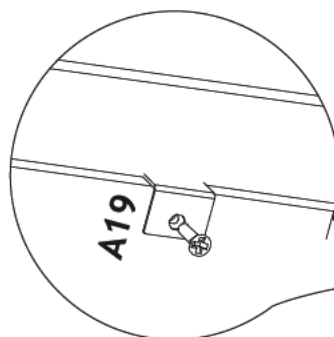
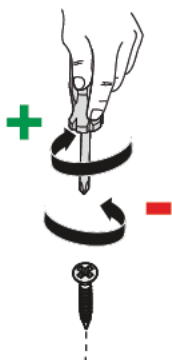
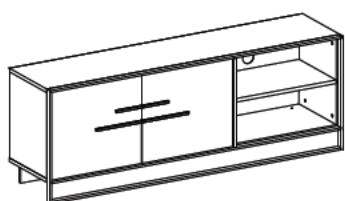


5

3

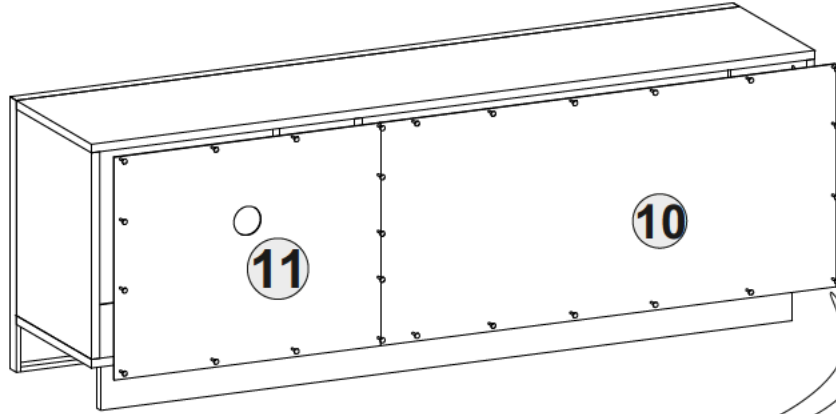
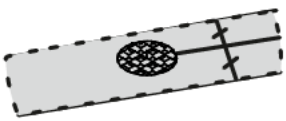
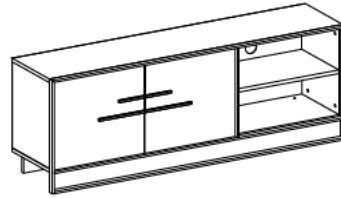


4

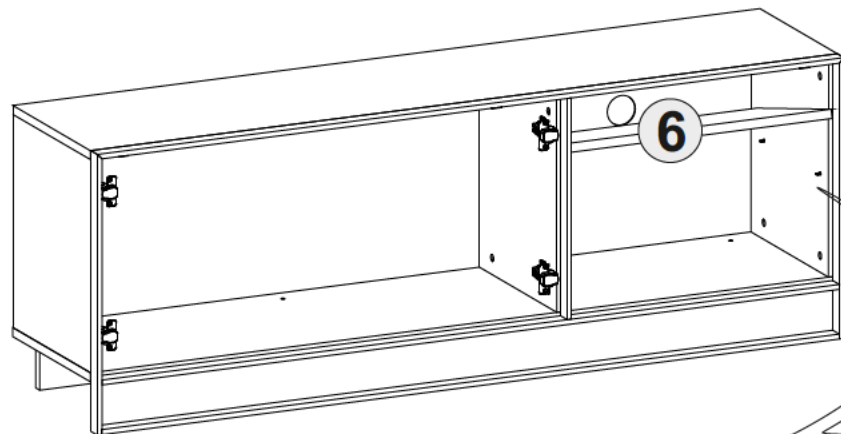
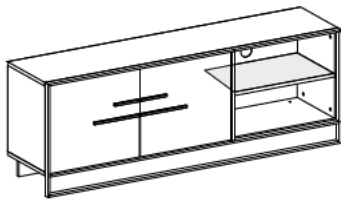
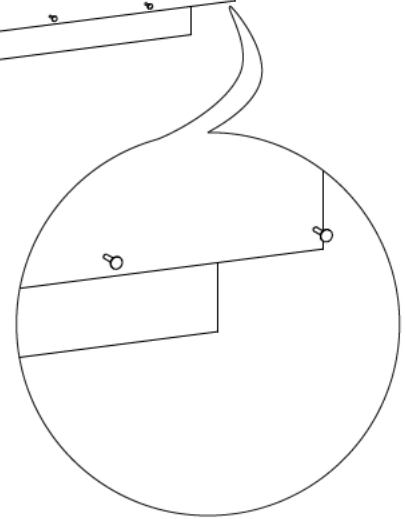


There is no pre-drilled holes. The screw A19 has a very sharp pointed so if you apply just a little harder pressure while screwing, it shall penetrate in the wood.

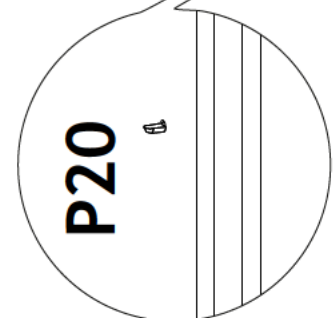
5



We definitely advise to install back panels 10 and 11 to make your tv stand sturdier

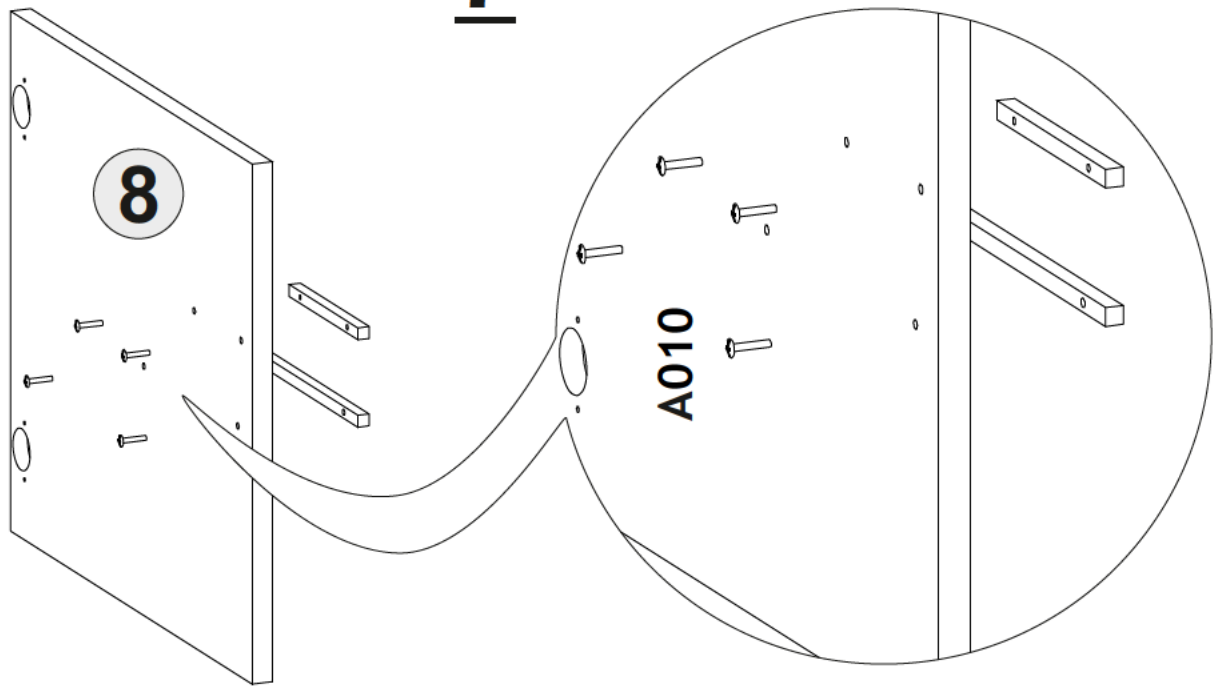


6

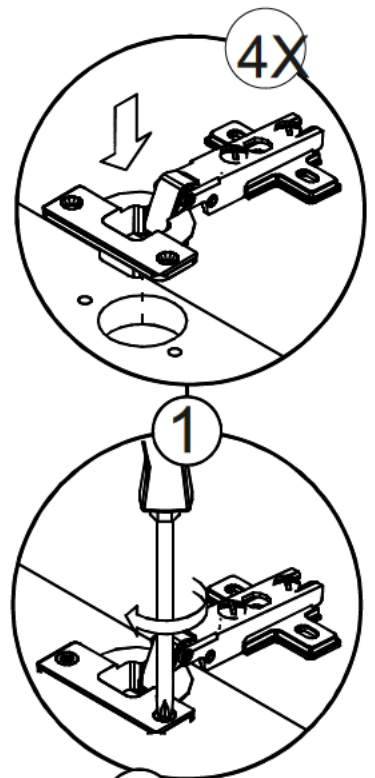
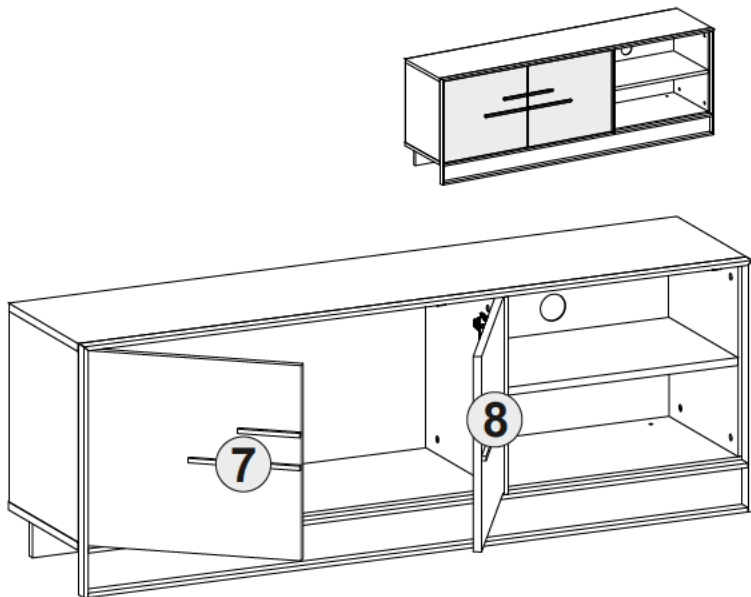


7

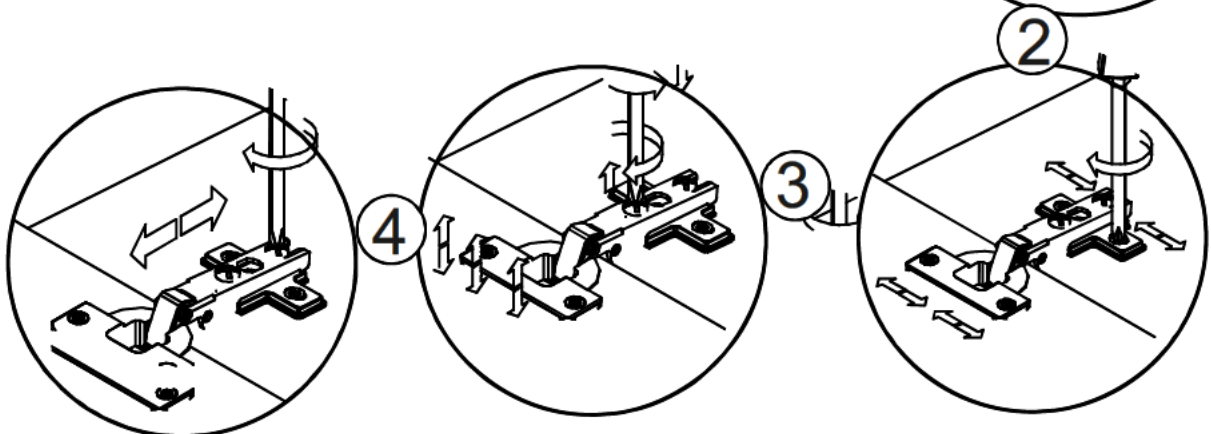
7



8



! If you are having problem aligning of the doors, you can watch hinge installation videos on the internet or get help from professionals



8