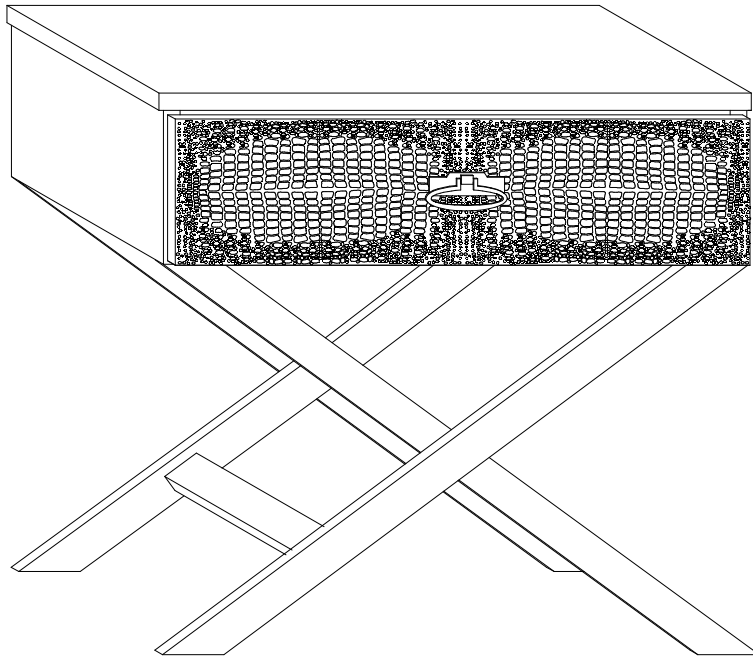
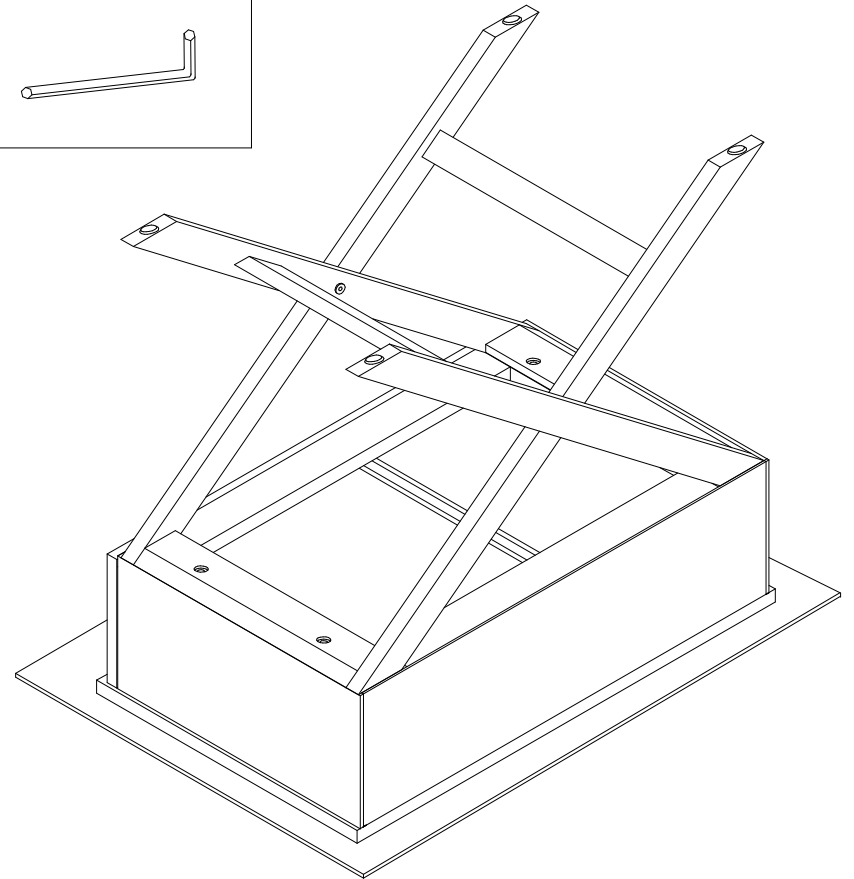
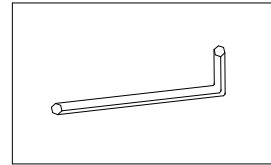


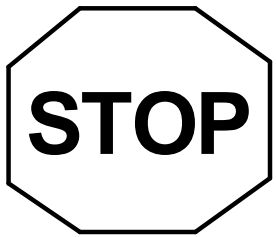
NIGHT STAND



Required Tools : Allen Key

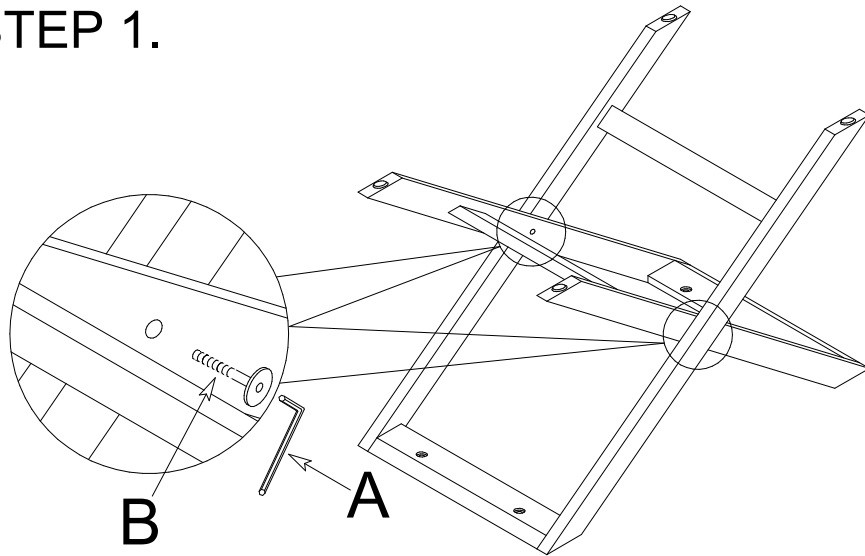


Please place on the carton while installing to prevent damage or scratches.

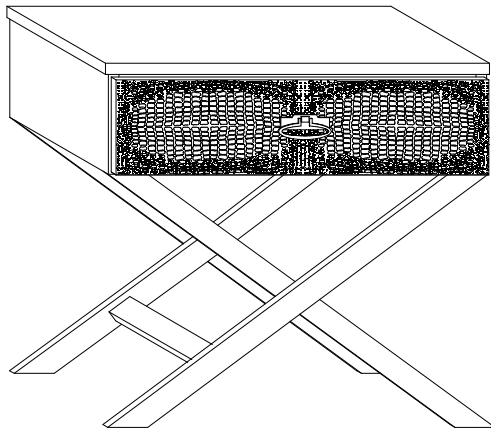
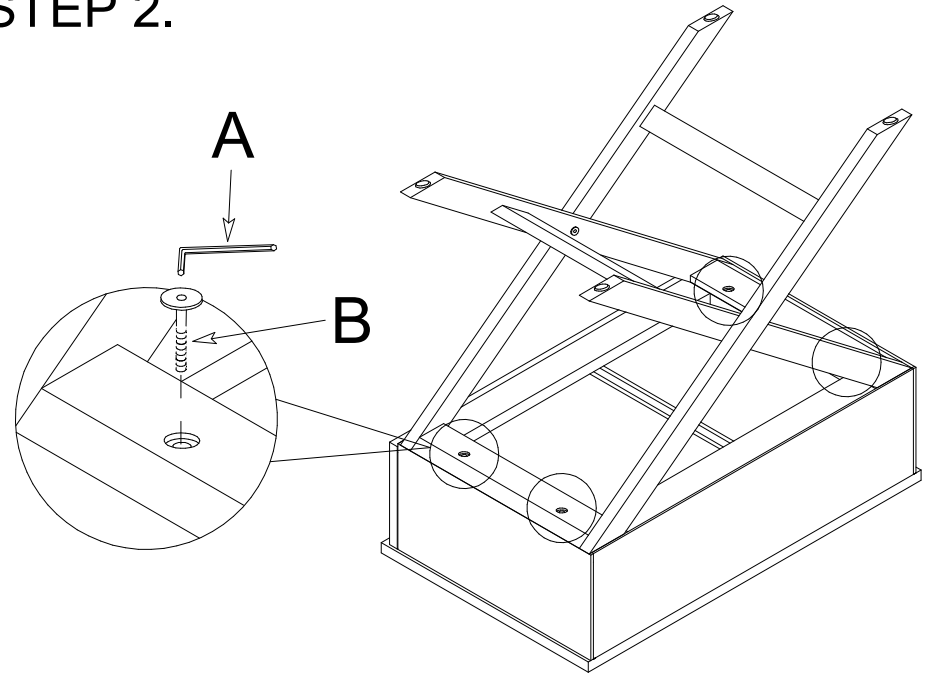


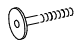

ASSEMBLY INSTRUCTION NIGHT STAND

STEP 1.



STEP 2.



NO	HARDWARE DESCRIPTION	QTY
A.	JCBC Bolt M6 X 30mm 	6
B.	Allen Key 	1