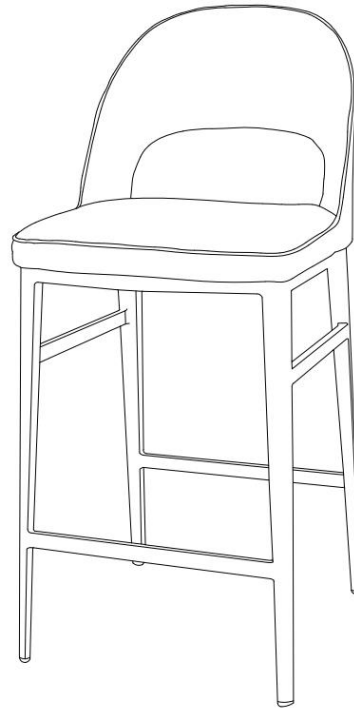


ASSEMBLY INSTRUCTIONS.

COUNTERSTOOL GREEN VELVET



THANK YOU FOR YOUR PURCHASE!

PARTS AND HARDWARE.

1 SEAT x 1



2 LEG x 1



3 BOLT M6-45 x 4



4 ALLEN KEY M4 x 1



5 FLAT WASHER x 4

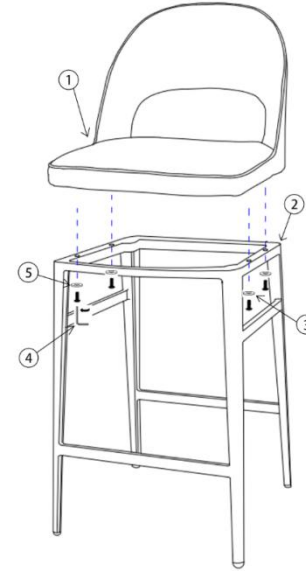


NOTES.

Thank you for purchasing this quality product! Be sure to check all packing material carefully for small part that may have come loose inside the carton during shipping.

CAUTION: The item is heavy, assembly should be performed by two people.

STEP 1.



STEP 2.

