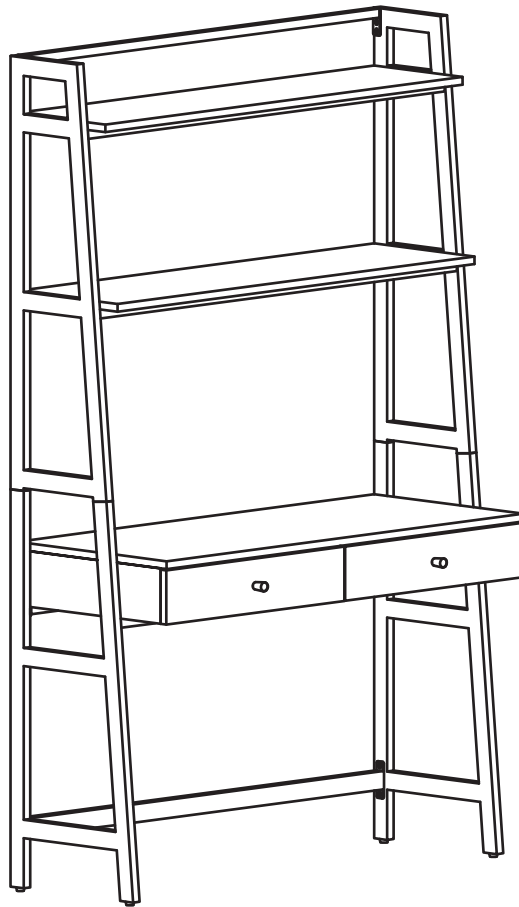
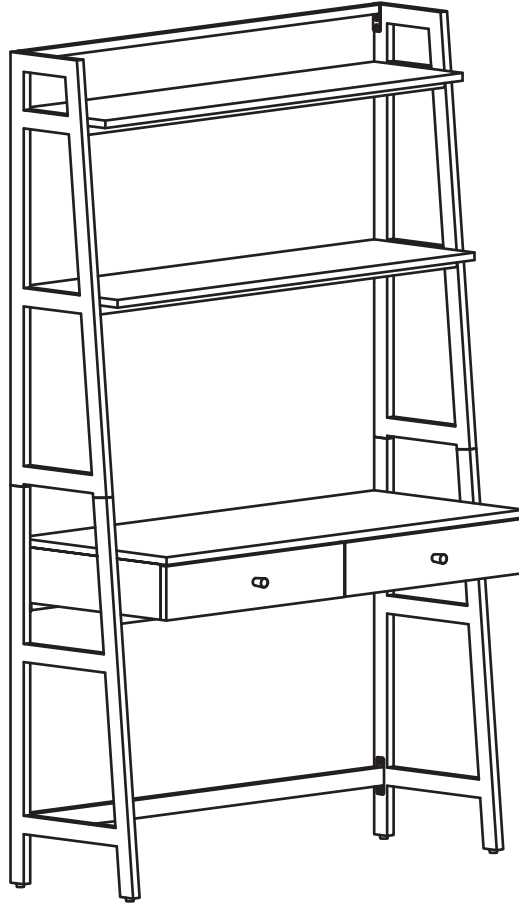

For easy assembly, please carefully follow the step by step instructions.

45" LADDER DESK w/HUTCH



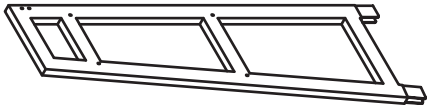


1. Do not use this product unless all screws and bolts are securely tightened.
2. Check that all screws and bolts are tight every three months or as needed.
3. Dispose of packing material properly. Do not use plastic cover as head covering. It may cause suffocation.
4. Do not use this product as a stepladder.
5. Use this product for its intended purpose only.
6. **FOR INDOOR RESIDENTIAL USE ONLY.**

LIMITED WARRANTY

warrants to the original purchaser that this product will be free from defects in material and workmanship as described below. Home Furnishings® will repair or replace, at its option, without charge to the original purchaser only, defective products or parts for one (1) year from the date of purchase. Replacement parts can only be supplied if parts are available. Items out of production may be unavailable. This warranty shall be effective for the applicable time period beginning from the date of purchase as shown on your original sales receipt. This warranty is your sole remedy for product defects and excludes defects due to or arising in connection with product abuse or misuse, use modification of, or attachments to the product, and products or parts not used, maintained, or installed in accordance with the company's installation, maintenance and/or applicable guidelines. There are no other warranties, express or implied, other than those specifically described, including without limitation any implied warranty of merchantability or of fitness for a particular purpose. will not be responsible for incidental or consequential damages. Some states do not allow the exclusion or limitation of incidental or consequential damages, so the above limitations or exclusions may not apply to you. This warranty gives you specific legal rights and you may also have other rights which may vary from state to state. Our quality standards are among the highest in the industry. Sometimes, no matter how

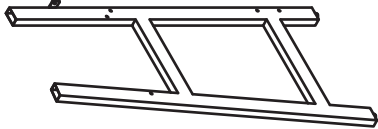
PARTS



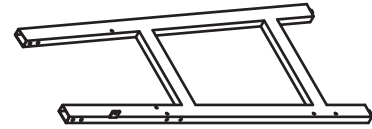
(A) Left Upper Frame (1 Pc)



(B) Right Upper Frame (1 Pc)



(C) Left Lower Frame (1 Pc)



(D) Right Lower Frame (1 Pc)



(E) Upper Crossbar (1 Pc)



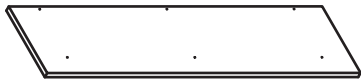
(F) Lower Crossbar (1 Pc)



(G) Crossbar (5 Pcs)



(H) Rear Crossbar (1 Pc)



(I) Upper Shelf (1 Pc)

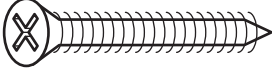
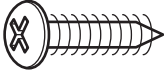
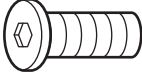
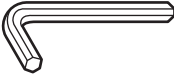
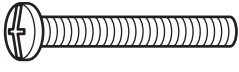



(J) Lower Shelf (1 Pc)



(K) Desk Body (1 Pc)

HARDWARE

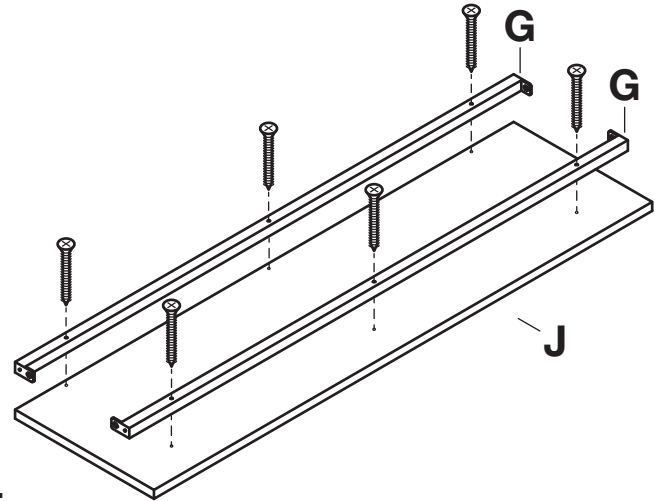
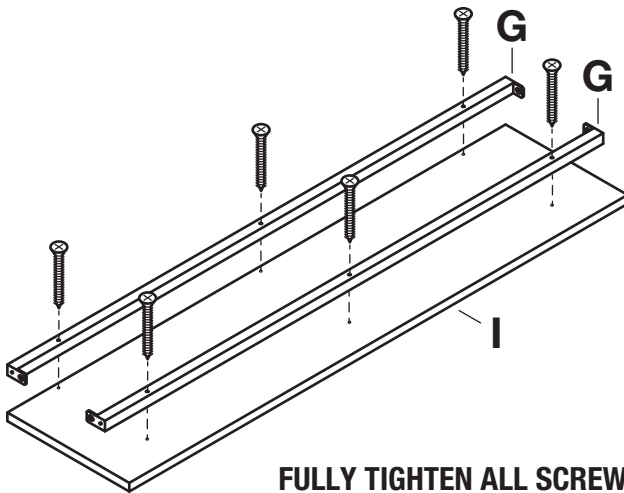
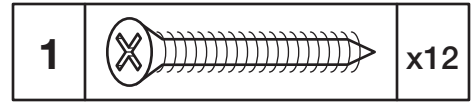
NO	DRAWING	DESCRIPTION	SIZE	QUANTITY
1		Flat Head Phillips Screw	#4 x 30mm	18 Pcs + 1 extra
2		Round Head Phillips Screw	#4 x 15mm	2 Pcs
3		Allen Bolt	1/4" x 12mm	34 Pcs + 1 extra
4		Allen Key	4mm	1 Pc
5		Phillips Bolt	5/32" x 25mm	2 Pcs
6		Handle	N/A	2 Pcs

WALL MOUNTING HARWARE

		Long Screw	N/A	1 Pc
		Short Screw	N/A	1 Pc
		Bracket	N/A	2 Pcs
		Wall Anchor	N/A	1 Pc
		Safety Strap	N/A	1 Pc

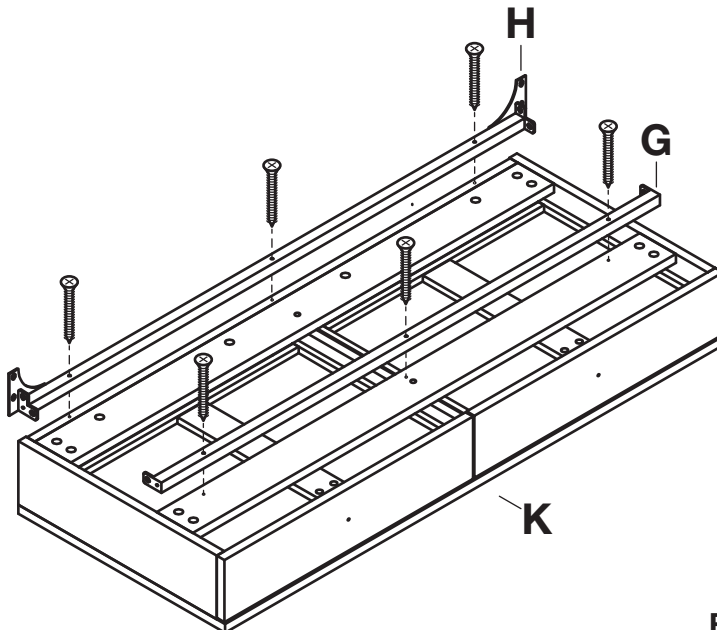
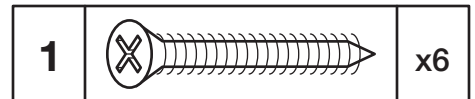
Phillips screwdriver also needed for assembly (not provided)

STEP 1



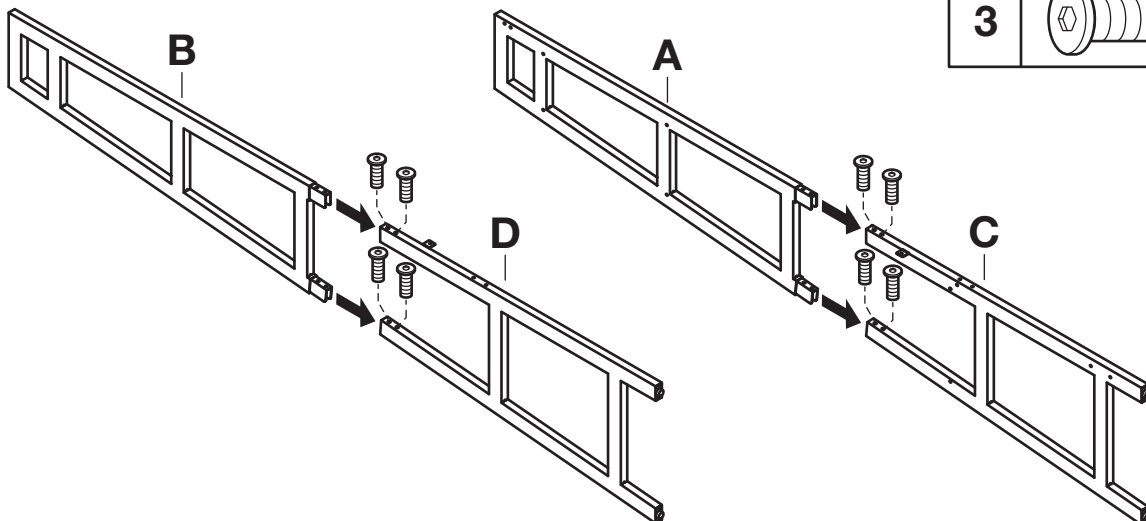
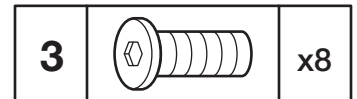
FULLY TIGHTEN ALL SCREWS.

STEP 2



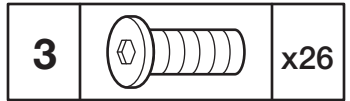
FULLY TIGHTEN ALL SCREWS.

STEP 3

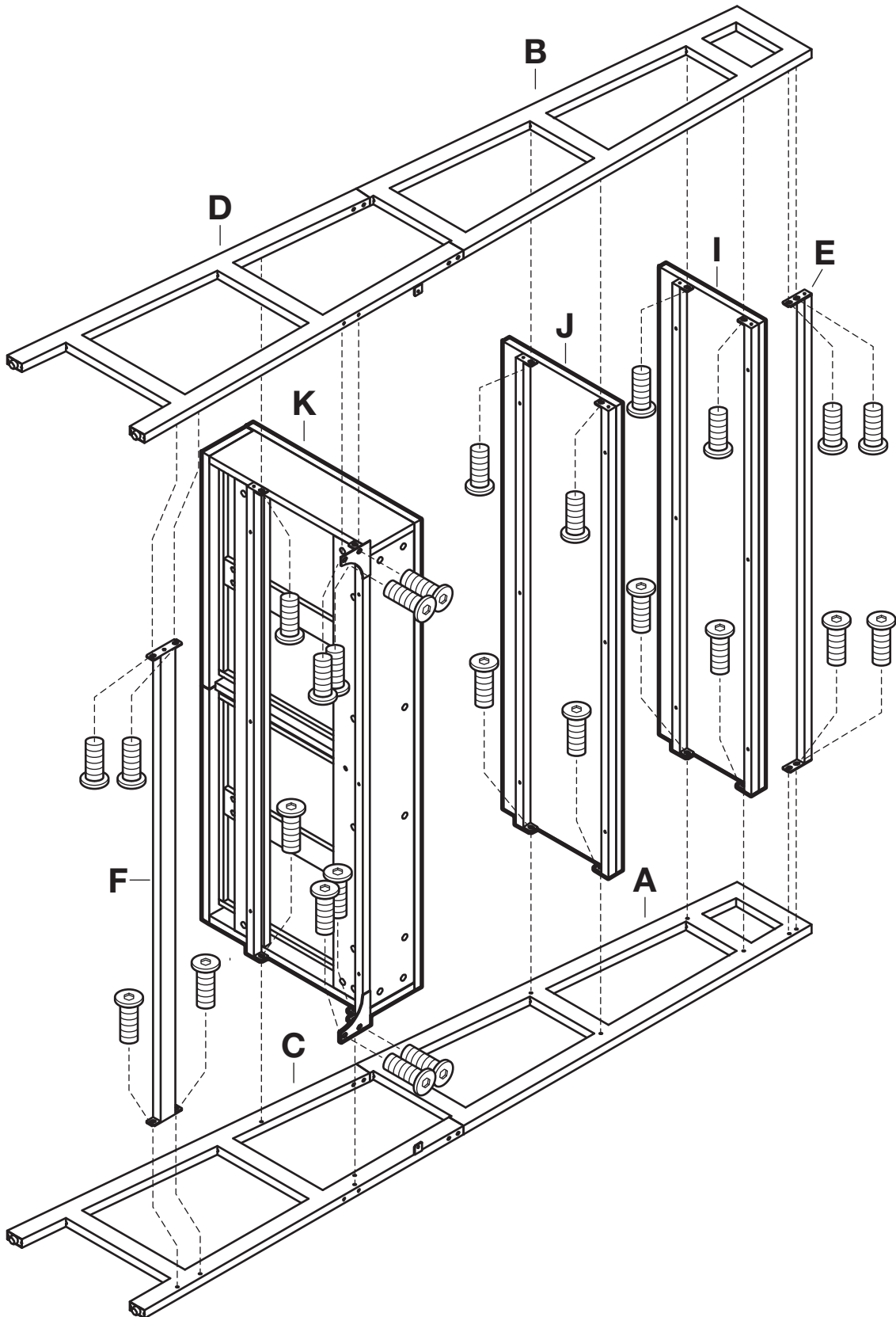


FULLY TIGHTEN ALL BOLTS.

STEP 4

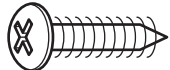


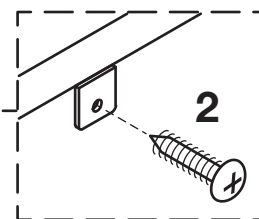
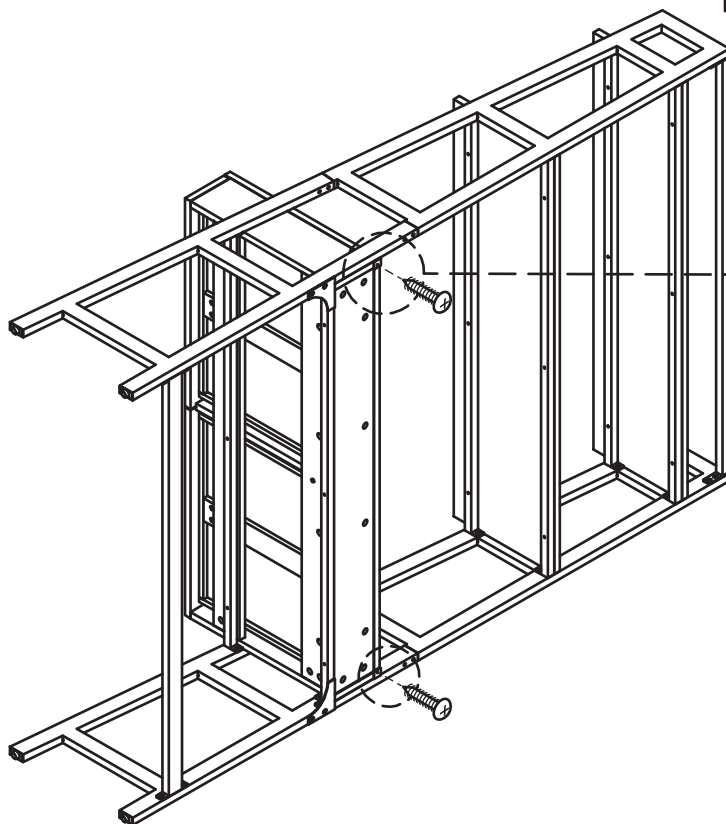
DO NOT TIGHTEN BOLTS UNTIL ALL BOLTS ARE INSTALLED.



FULLY TIGHTEN ALL BOLTS.

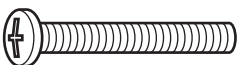

STEP 5

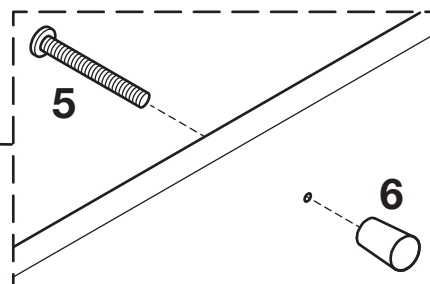
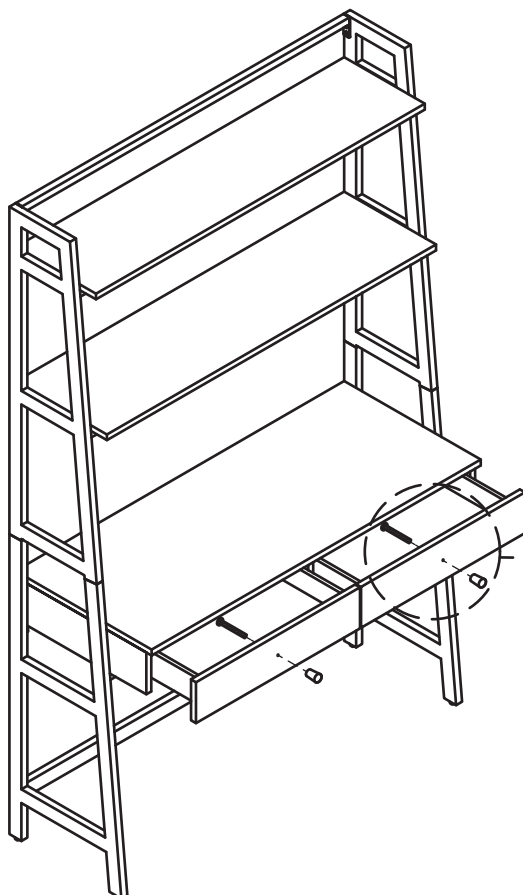
2		x2
---	---	----



FULLY TIGHTEN ALL SCREWS.

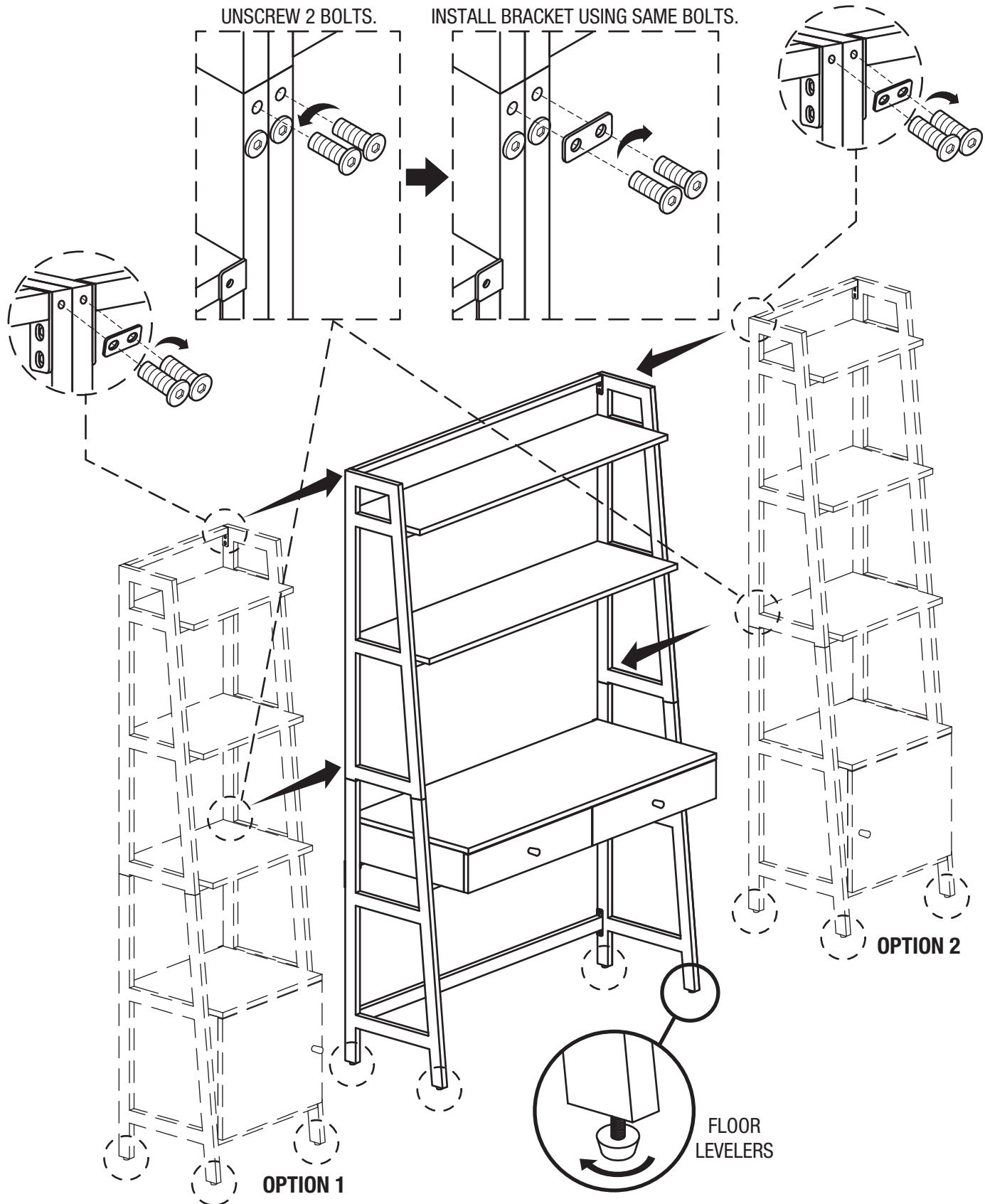
STEP 6

5		x2
6		x2



STEP 7 Follow this step only if you purchased Bookcase(s).

DO NOT FULLY TIGHTEN BOLTS. AFTER BOOKCASE(S) HAVE BEEN ATTACHED TO DESK, ADJUST ALL FLOOR LEVELERS SO THAT DESK AND BOOKCASE(S) ARE LEVEL, THEN FULLY TIGHTEN ALL BOLTS.



STEP 8

ANTI-TIP KIT INSTRUCTIONS

Place Desk in desired location. Carefully drill a 1/4" pilot hole into wall, and gently tap Wall Anchor into pilot hole. Secure Bracket to wall using Long Screw. Fully tighten Long Screw. Secure second Bracket to Upper Crossbar (E) using Short Screw. Fully tighten Short Screw. Loop Safety Strap through both Brackets and fasten.

